

US00D915199S

(12) **United States Design Patent** (10) **Patent No.:** **US D915,199 S**
Berge et al. (45) **Date of Patent:** **** Apr. 6, 2021**

(54) **TAMPER EVIDENT FLIP CAP**
(71) Applicant: **Silgan White Cap LLC**, Downers Grove, IL (US)
(72) Inventors: **Gary L. Berge**, Crystal Lake, IL (US); **Thomas P. Hennessy**, Naperville, IL (US)

(73) Assignee: **Silgan White Cap LLC**, Downers Grove, IL (US)

(**) Term: **15 Years**

(21) Appl. No.: **29/706,138**

(22) Filed: **Sep. 18, 2019**

(51) **LOC (13) Cl.** **09-07**

(52) **U.S. Cl.**
USPC **D9/453; D9/449**

(58) **Field of Classification Search**
USPC D9/414, 424, 425, 428, 432, 434, 435, D9/436, 439, 440, 443-450, 452-457, D9/499, 503, 516, 682, 685, 686; D7/387, 391, 392, 392.1, 396.2, 510, 511, D7/538, 900; D3/202, 203.2; D28/91, D28/91.1
CPC .. A61J 1/00; A61J 1/1412; B65D 1/00; B65D 1/02; B65D 1/10; B65D 1/46; B65D 5/46; B65D 41/00; B65D 41/38; B65D 41/56; B65D 41/62; B65D 47/00; B65D 47/06; B65D 47/08; B65D 2251/00; B65D 2543/00046; B65D 2543/00092; B65D 2543/00296

See application file for complete search history.

(56) **References Cited**

U.S. PATENT DOCUMENTS

D197,926 S * 4/1964 Boonton D9/446
D265,060 S * 6/1982 Blank D9/449
D306,701 S * 3/1990 Beck D9/447

D350,482 S * 9/1994 Hu D9/447
D362,186 S * 9/1995 Thanisch D9/447
D367,424 S * 2/1996 Thanisch D9/447
D480,305 S * 10/2003 Nusbaum D9/453
D519,029 S * 4/2006 Hicks D9/453
D530,611 S * 10/2006 Nusbaum D9/453
D540,677 S * 4/2007 Stull D9/447
D592,057 S * 5/2009 Guerin D9/449

(Continued)

Primary Examiner — Wendy L Arminio

(74) *Attorney, Agent, or Firm* — Reinhart Boerner Van Deuren s.c.

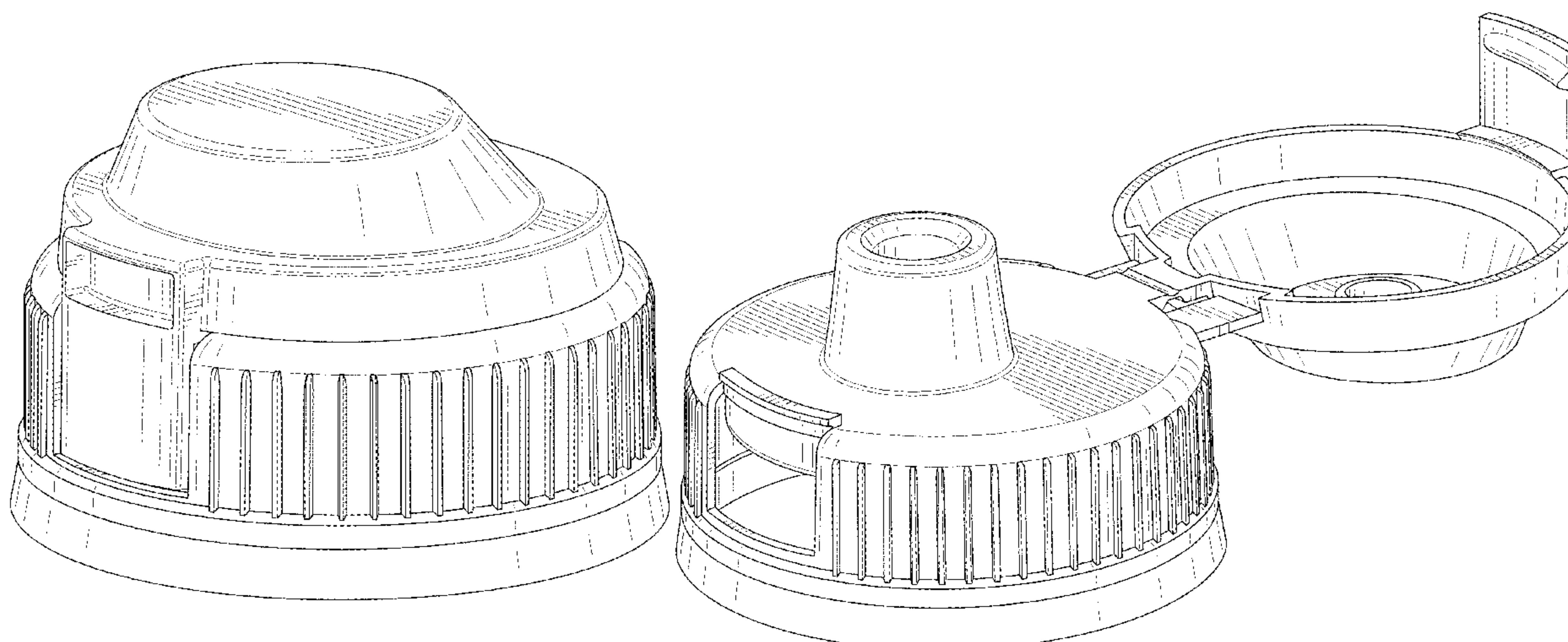
(57) **CLAIM**

We claim the ornamental design for a tamper evident flip cap, as shown and described.

DESCRIPTION

FIG. 1 is a top perspective view of a tamper evident flip cap shown in a closed configuration;
FIG. 2 is a front view thereof;
FIG. 3 is a back view thereof;
FIG. 4 is a left side view thereof;
FIG. 5 is a right side view thereof;
FIG. 6 is a top view thereof;
FIG. 7 is a bottom view thereof;
FIG. 8 is a cross-sectional view taken in the direction of line 8-8 shown in FIG. 6;
FIG. 9 is a top perspective view of the tamper evident flip cap of FIG. 1 shown in an open configuration;
FIG. 10 is a front view thereof;
FIG. 11 is a back view thereof;
FIG. 12 is a left side view thereof;
FIG. 13 is a right side view thereof;
FIG. 14 is a top view thereof;
FIG. 15 is a bottom view thereof; and,
FIG. 16 is a cross-sectional view taken in the direction of line 16-16 shown in FIG. 14.
The broken lines depict portions of the tamper evident flip cap that form no part of the claimed design.

1 Claim, 15 Drawing Sheets



(56)

References Cited

U.S. PATENT DOCUMENTS

D630,093	S *	1/2011	Bardet	D9/453
D640,134	S *	6/2011	Rognard	D9/449
D672,650	S *	12/2012	Wisniewski	D9/449
D673,044	S *	12/2012	Wisniewski	D9/449
D738,737	S *	9/2015	McCay	D9/449
D743,789	S *	11/2015	Wisniewski	D9/447
D768,490	S *	10/2016	Robinson	D9/449
D775,950	S *	1/2017	Rognard	D9/452
9,932,158	B2 *	4/2018	Rognard	B65D 47/0828
10,214,325	B2 *	2/2019	Rognard	B65D 47/0852
10,252,845	B2 *	4/2019	Rognard	B65D 41/34
10,287,067	B2 *	5/2019	Benoit-Gonin	B65D 55/024
2014/0097150	A1 *	4/2014	Antier	B65D 43/0235
				215/354
2015/0090743	A1 *	4/2015	Wisniewski	B67D 3/0051
				222/478
2020/0156829	A1 *	5/2020	Priстера	B65D 47/0842

* cited by examiner

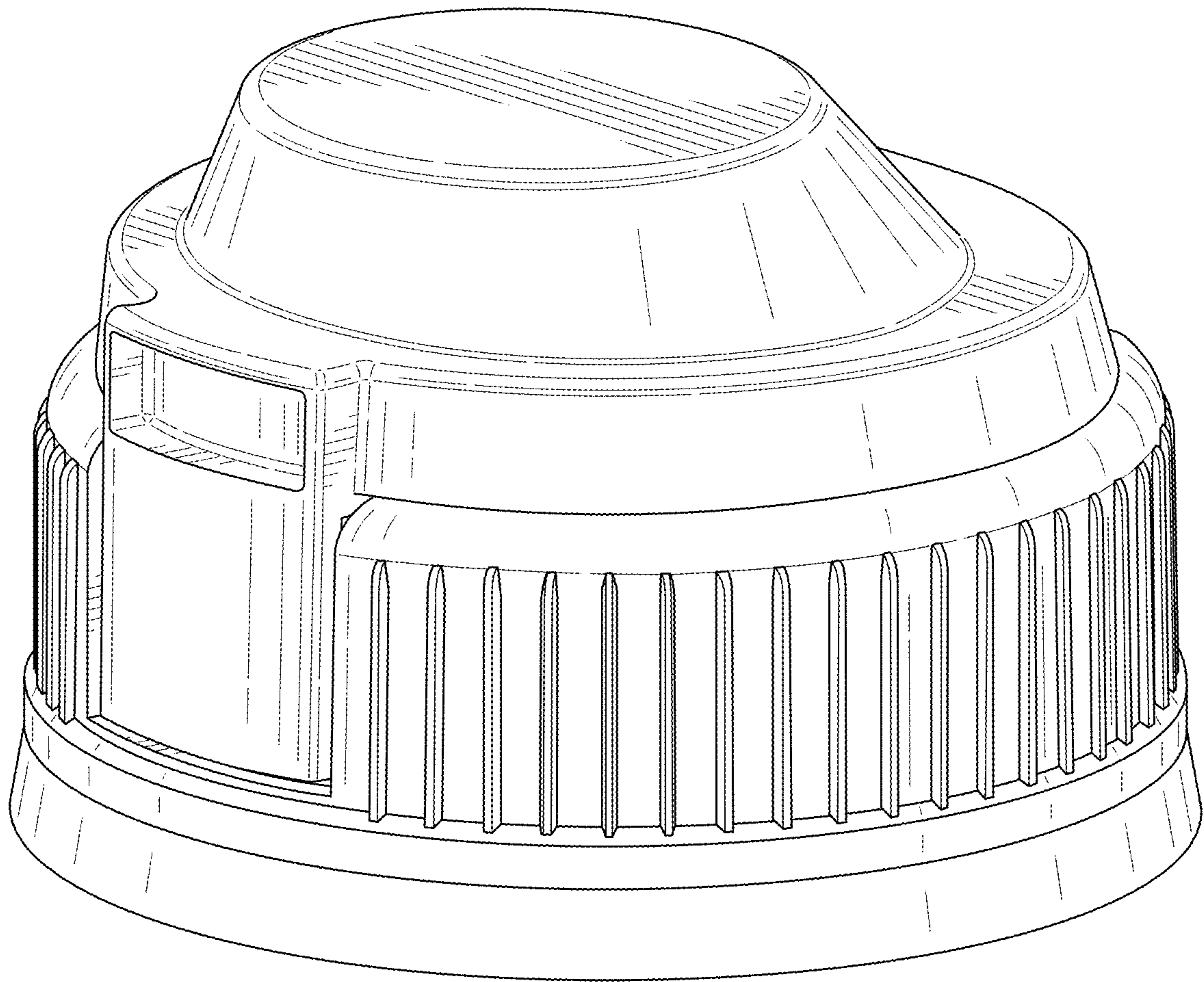


FIG. 1

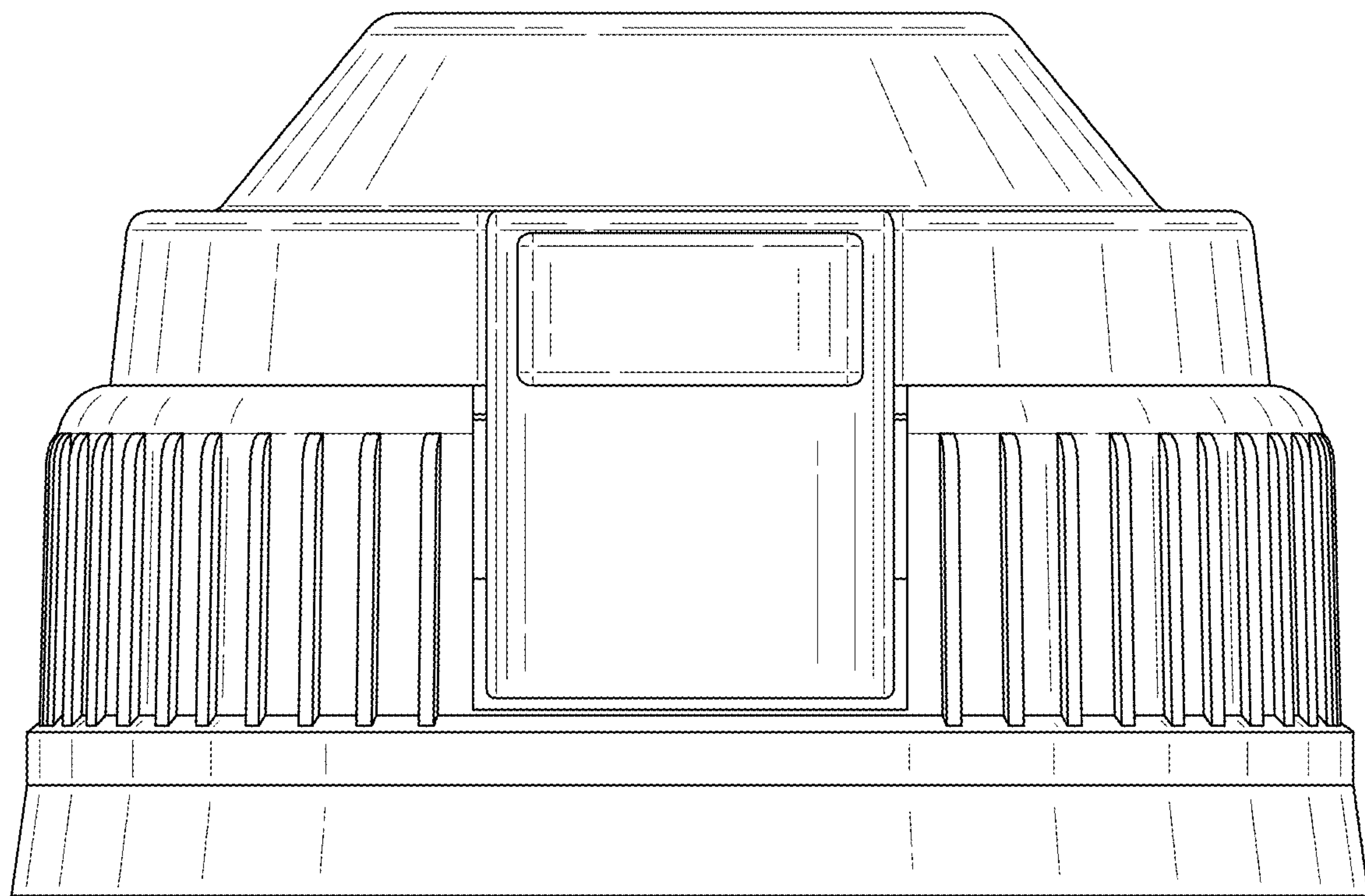


FIG. 2

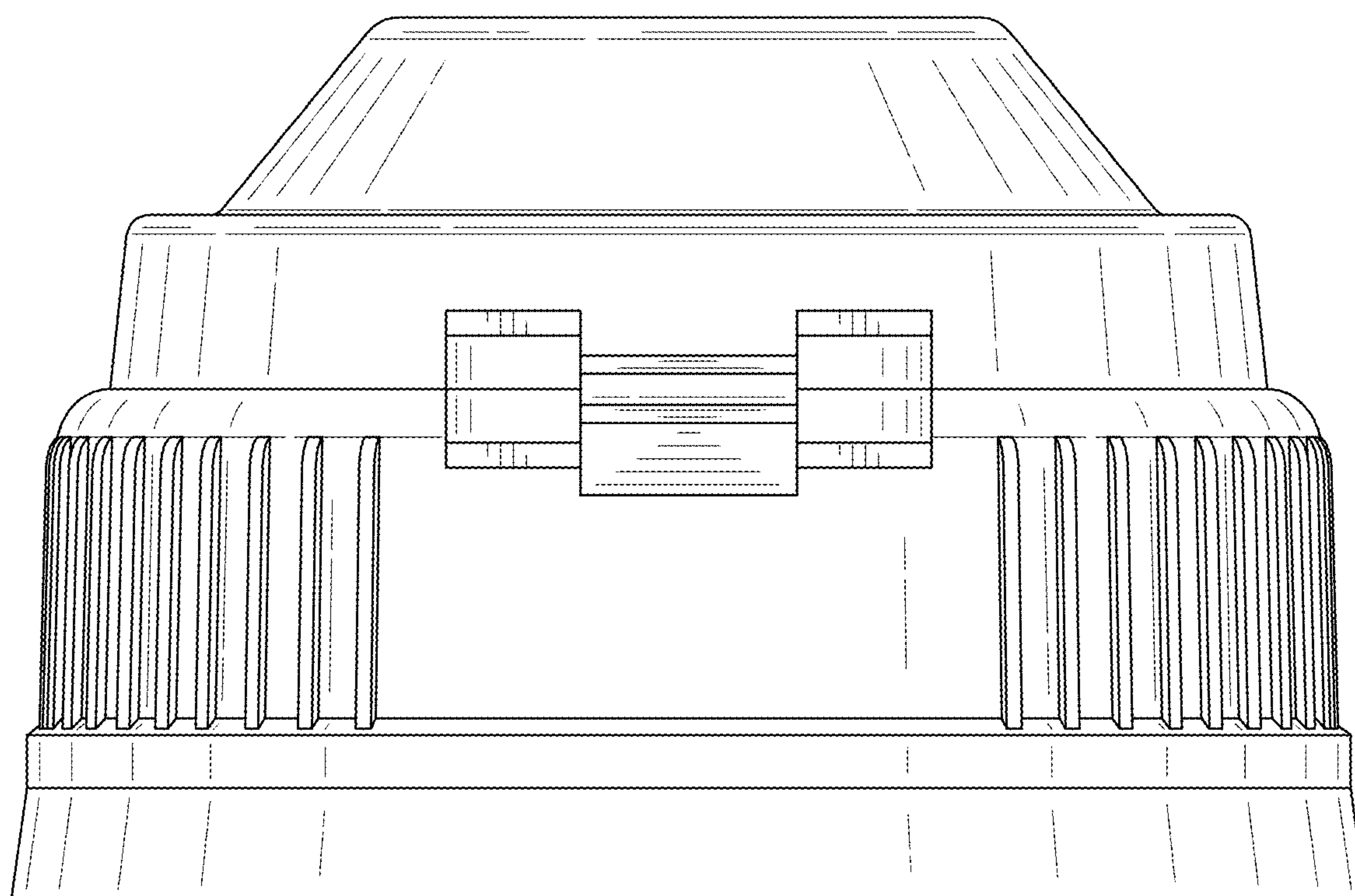


FIG. 3

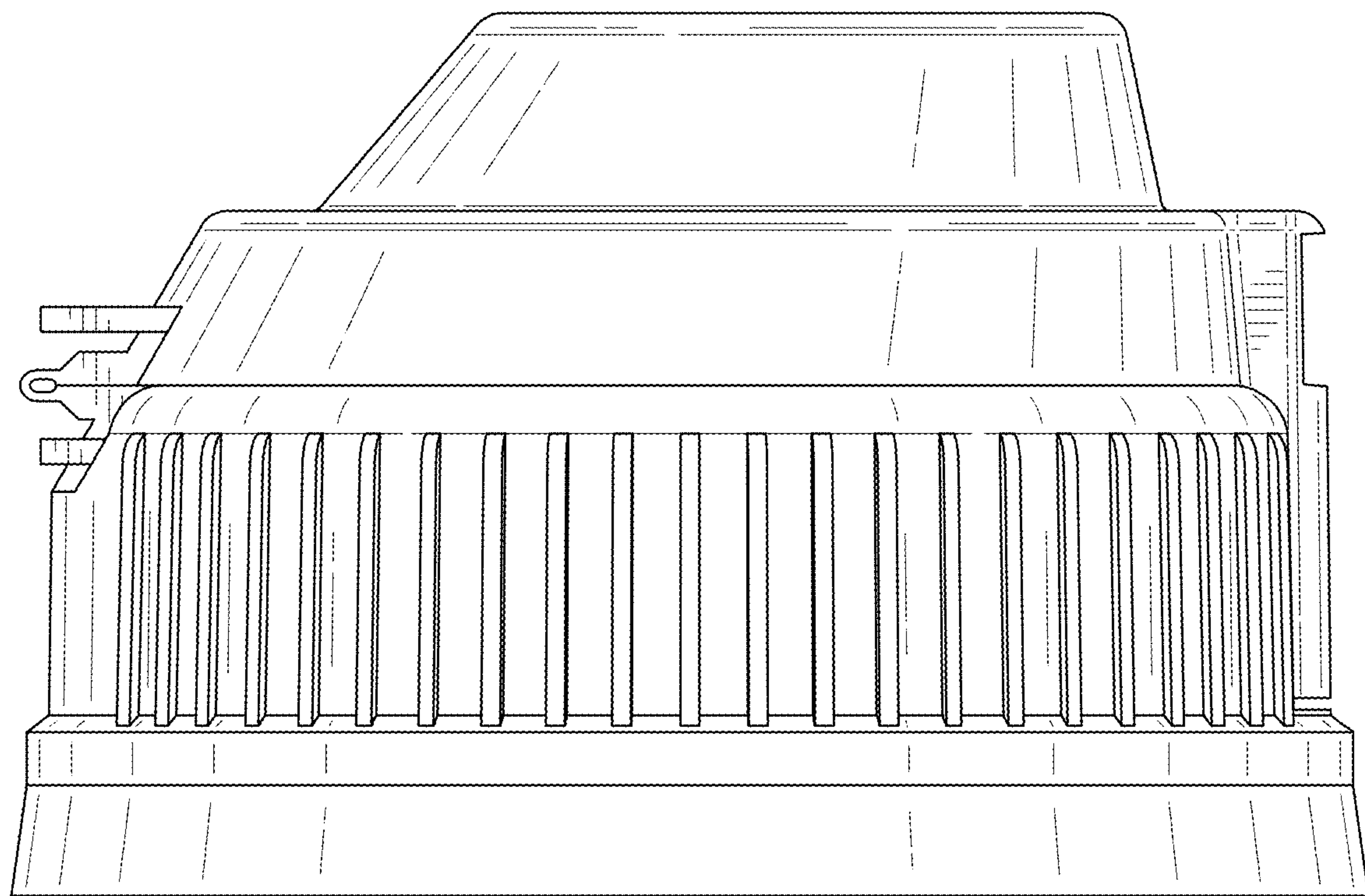


FIG. 4

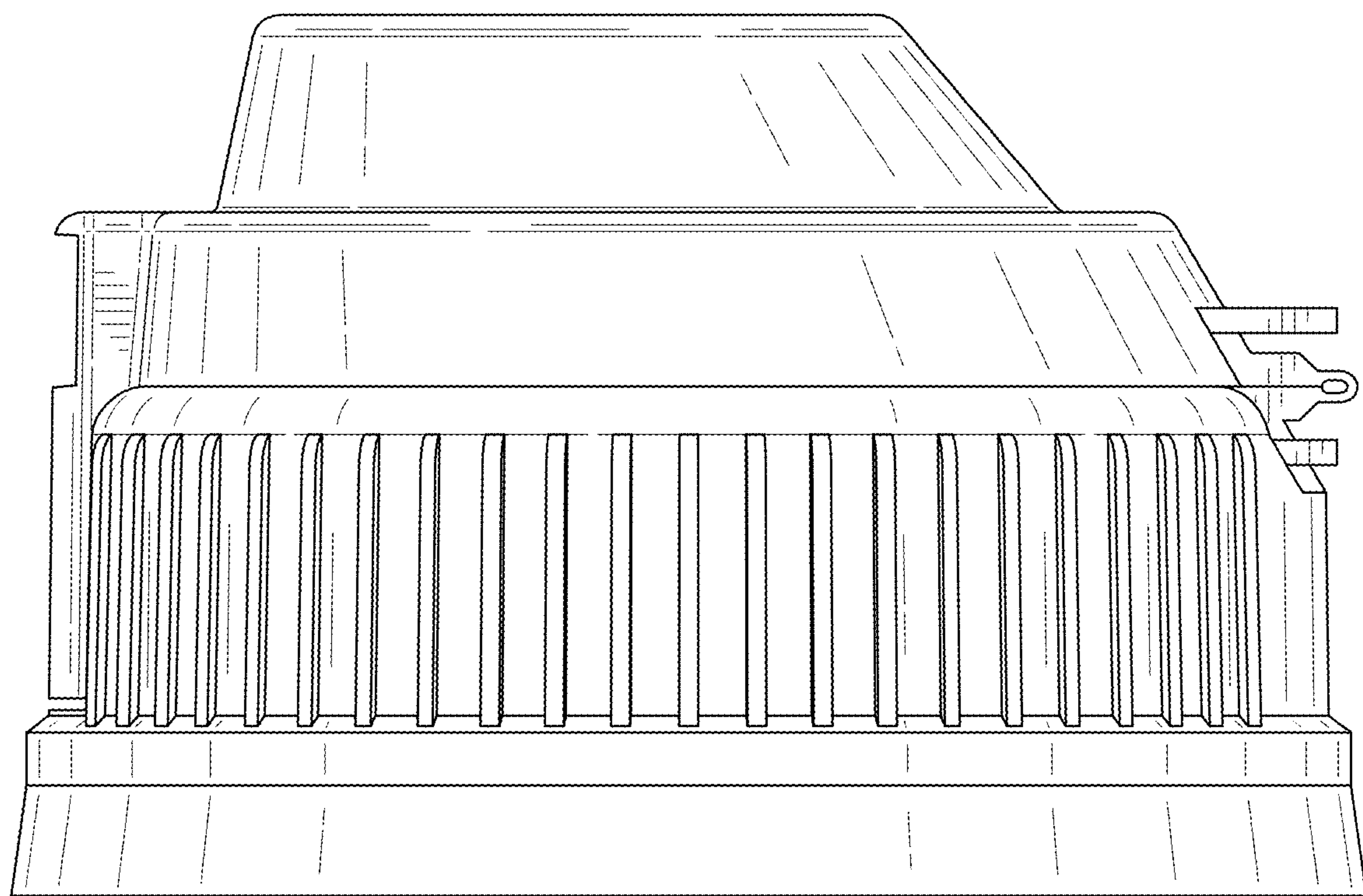


FIG. 5

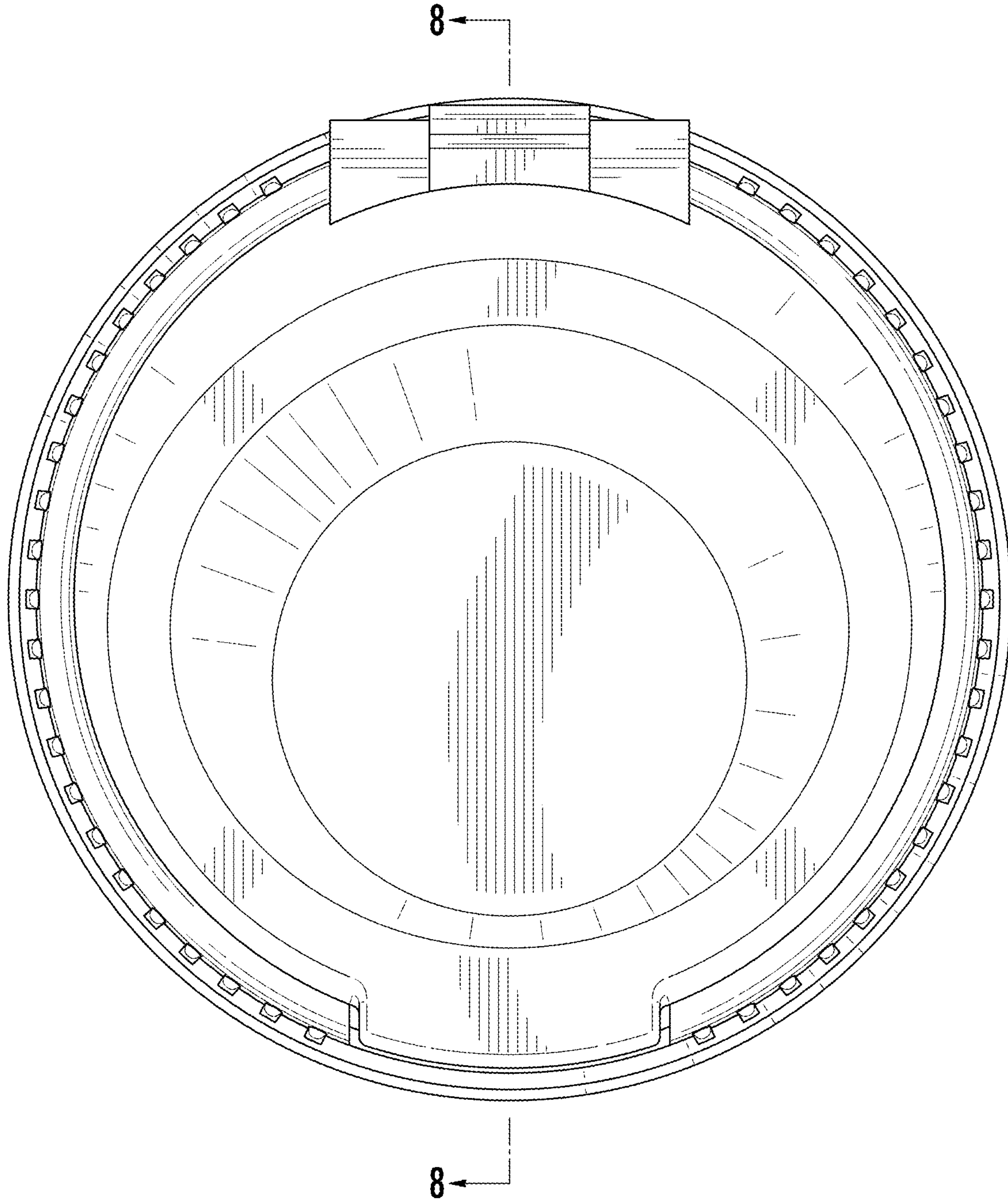


FIG. 6

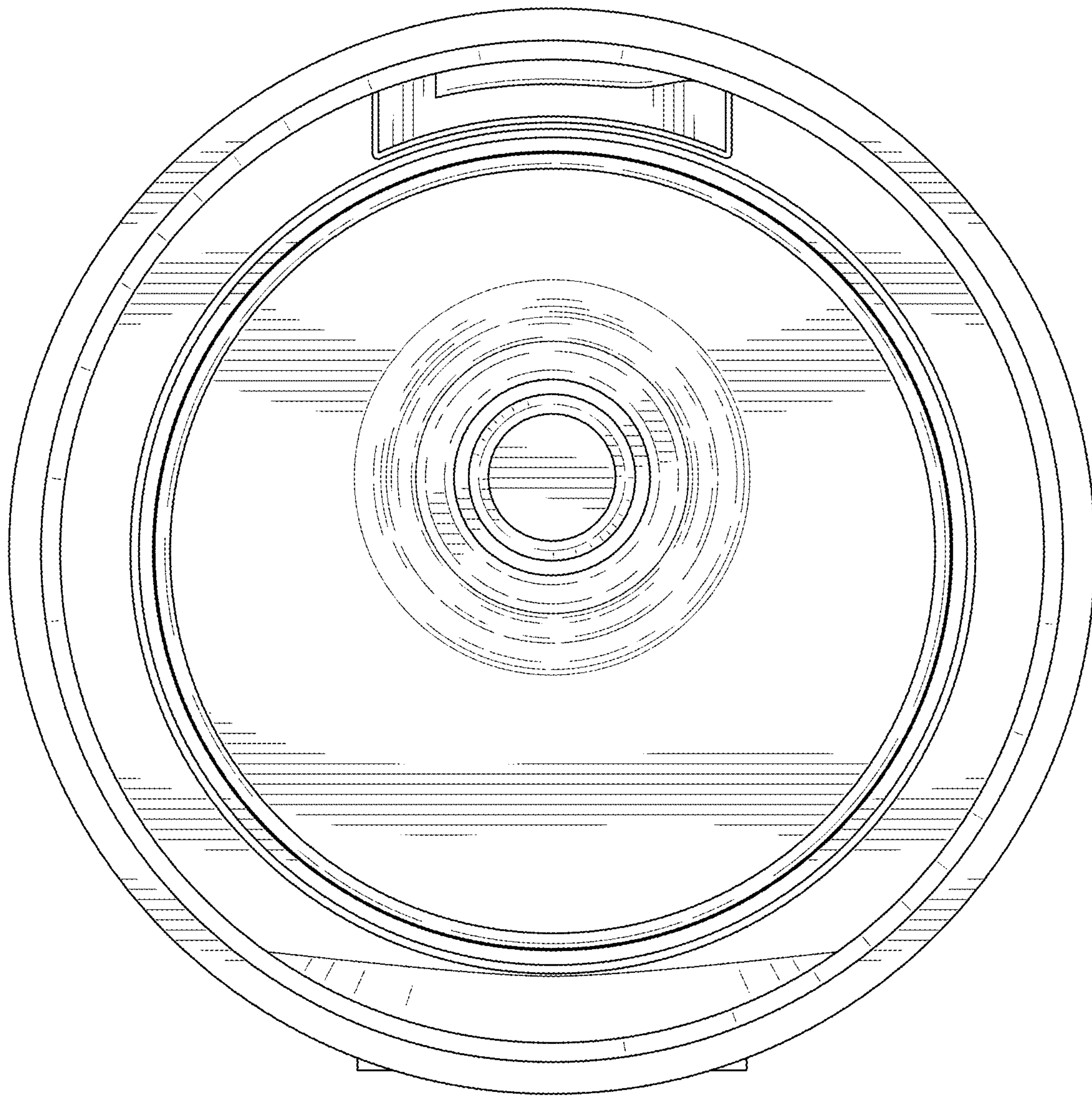


FIG. 7

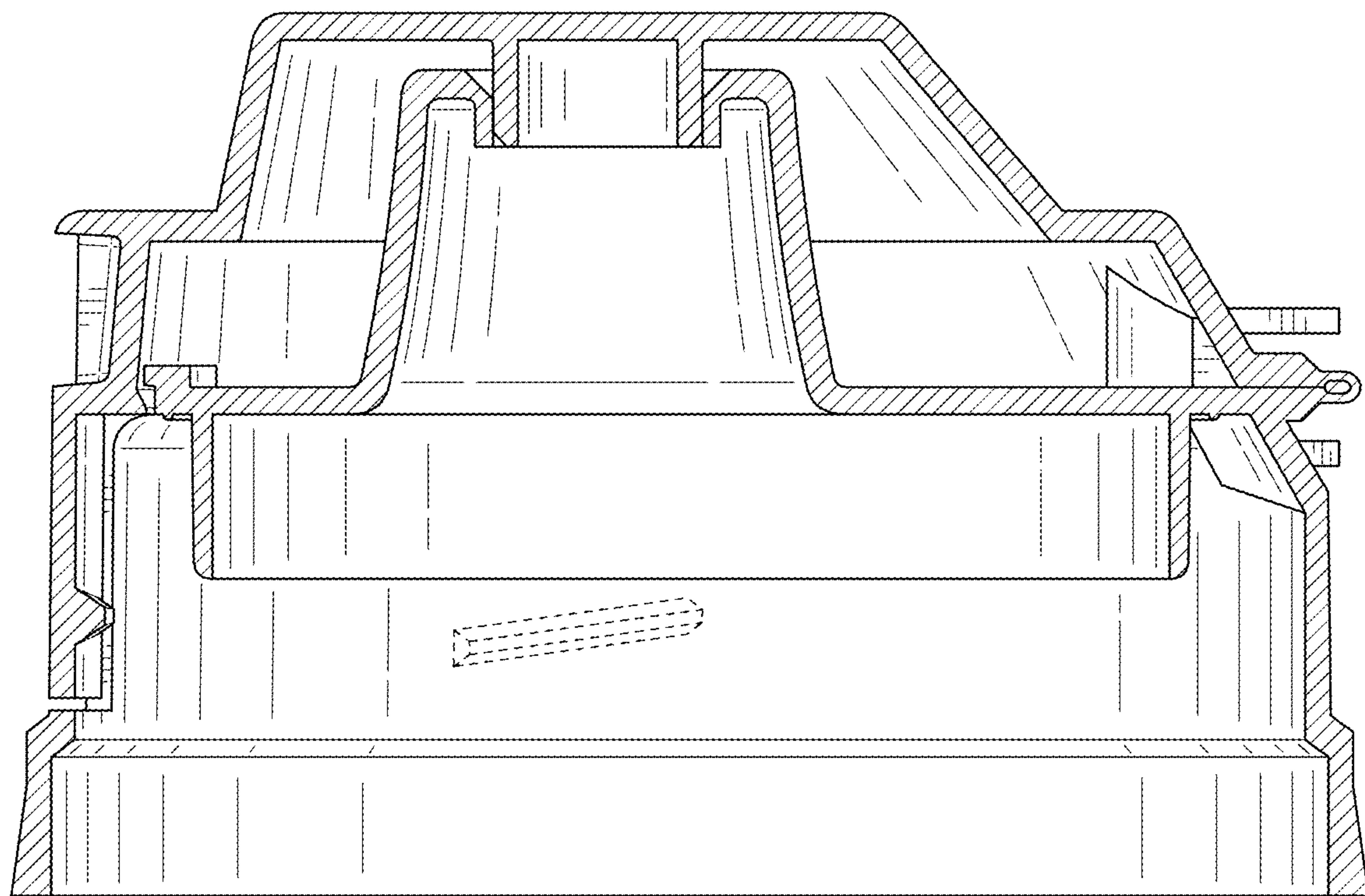


FIG. 8

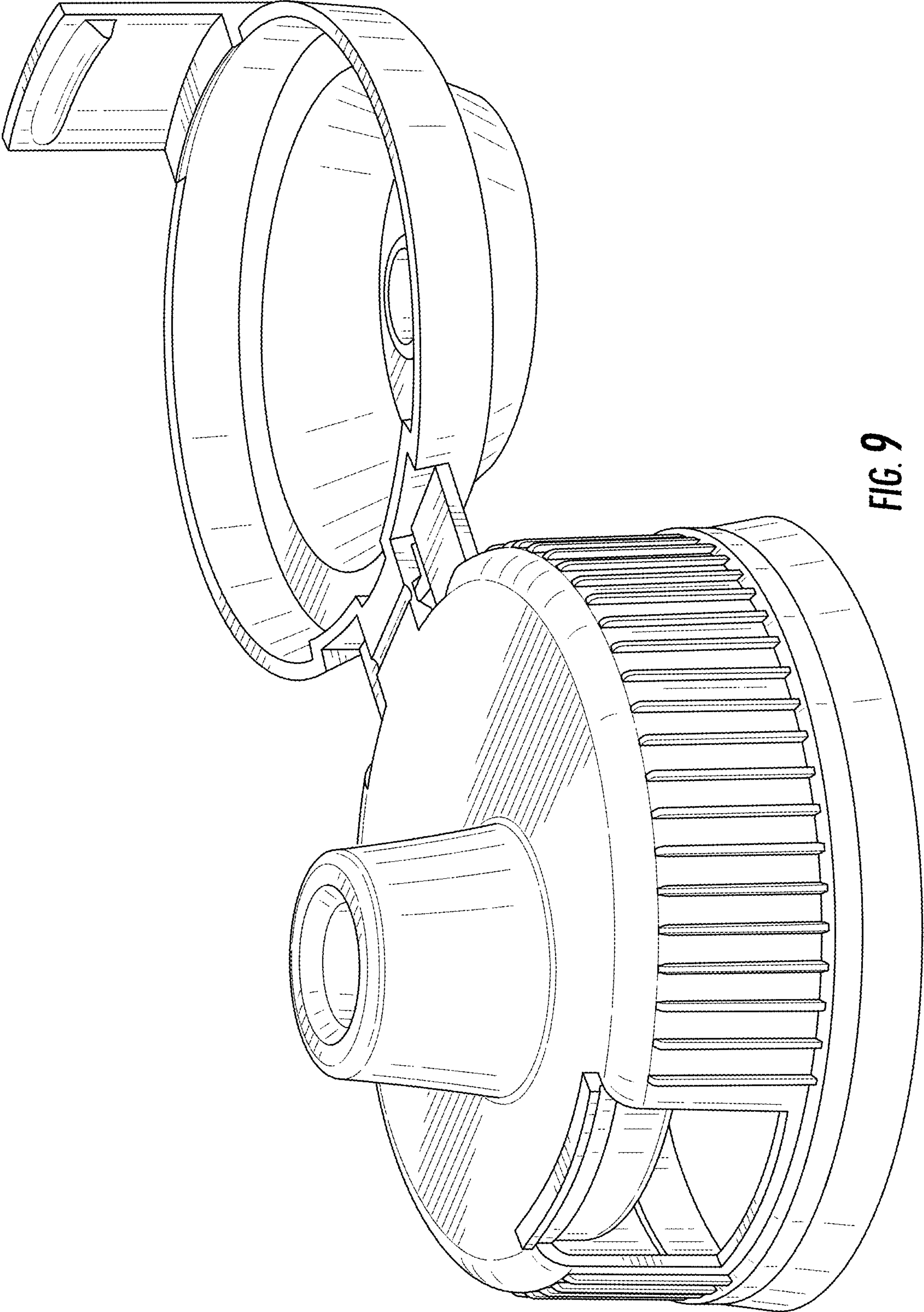


FIG. 9

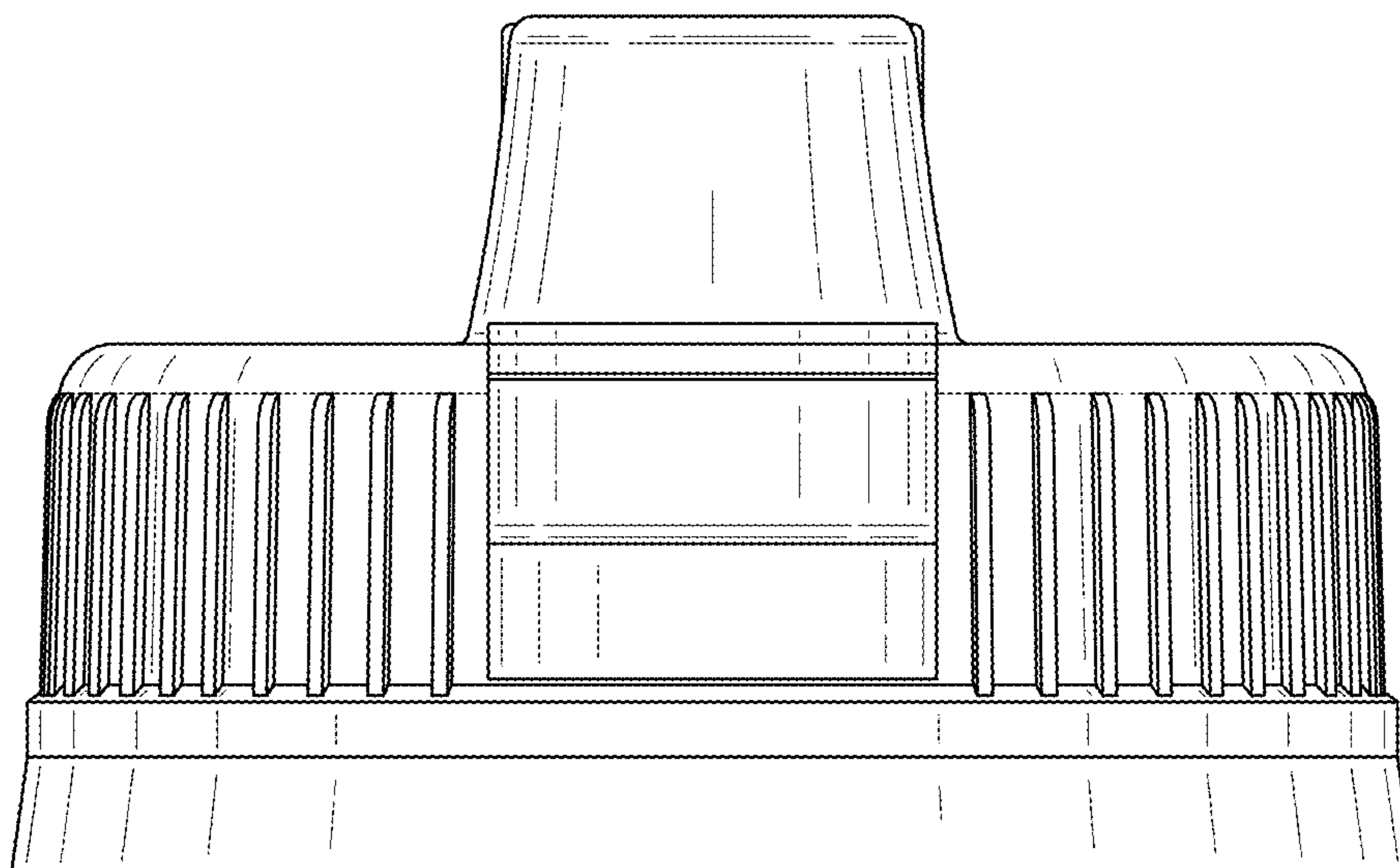


FIG. 10

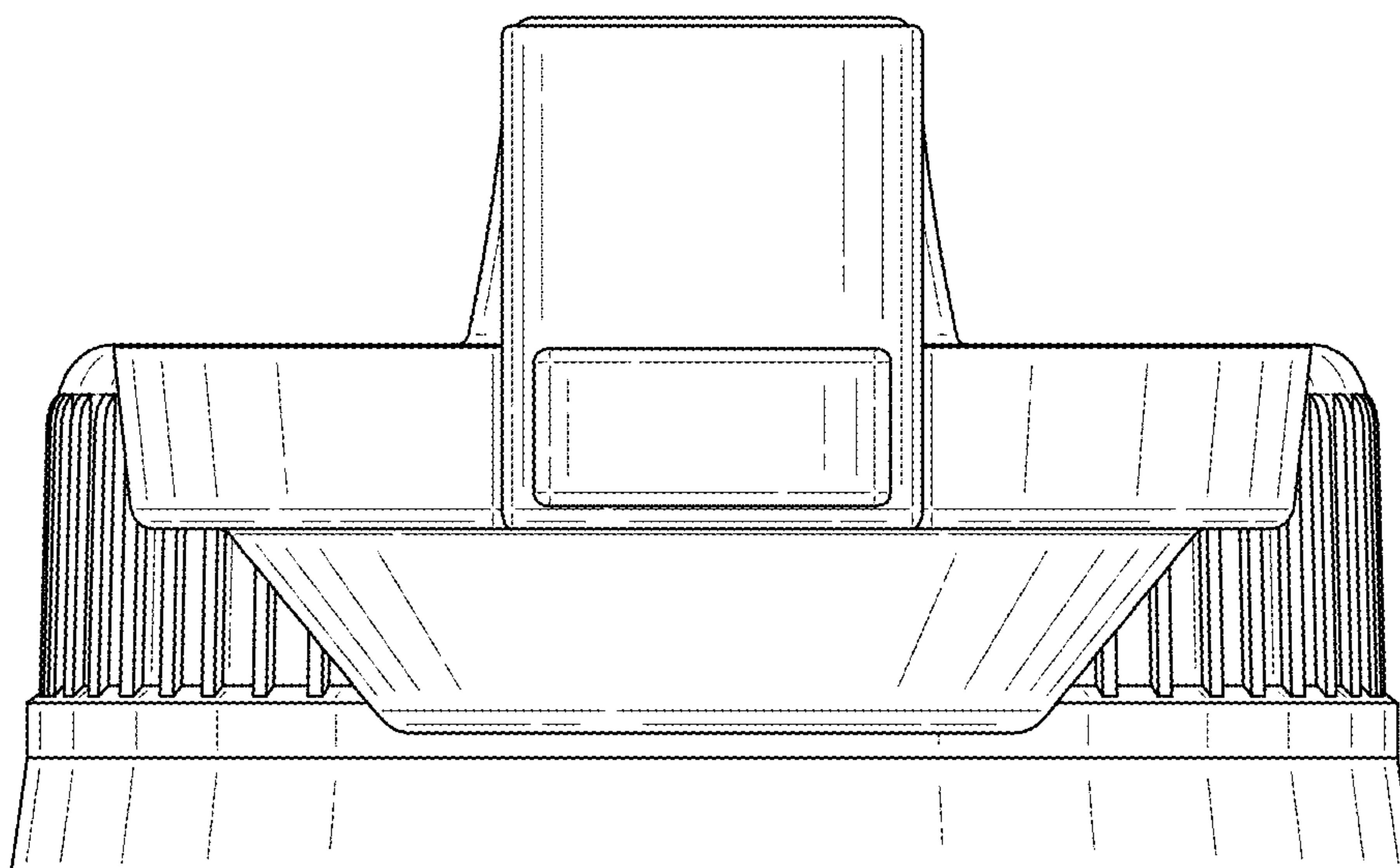


FIG. 11

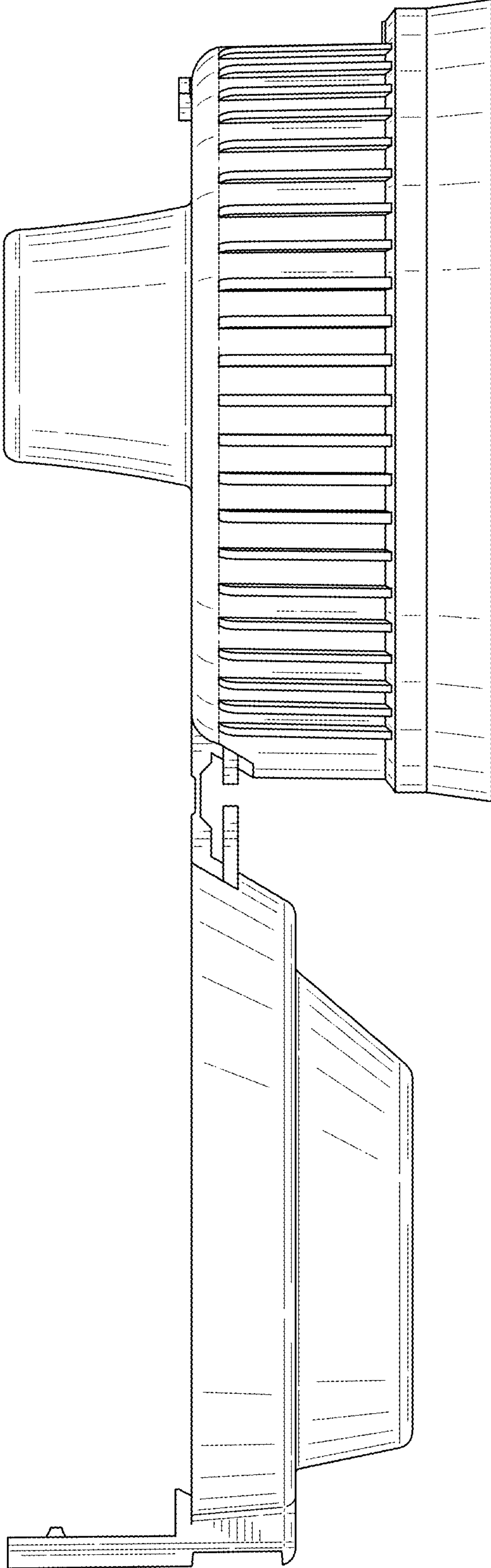


FIG. 12

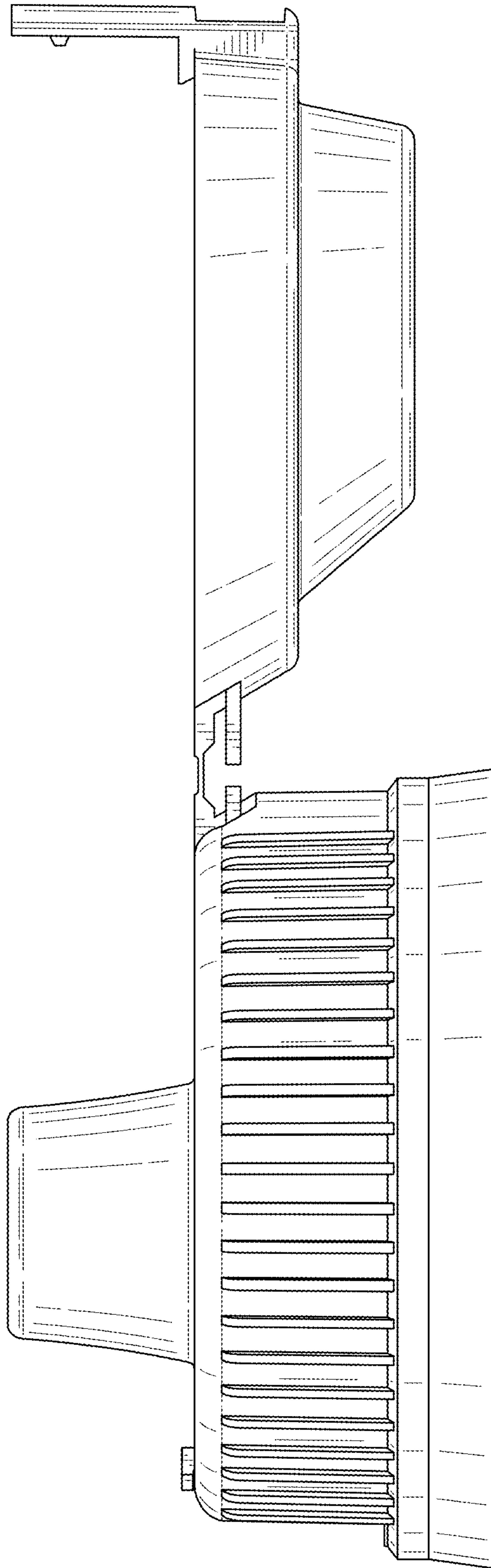
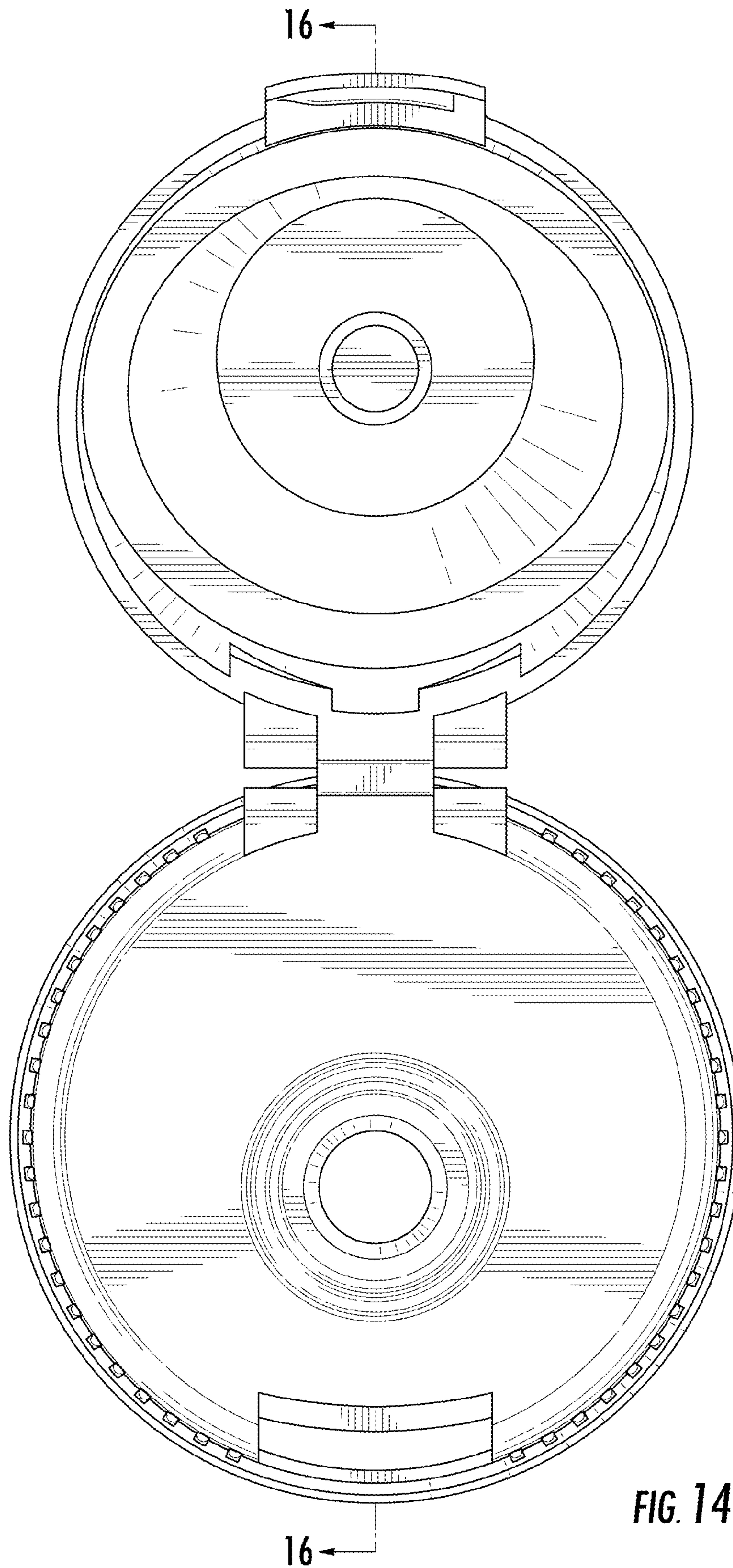


FIG. 13



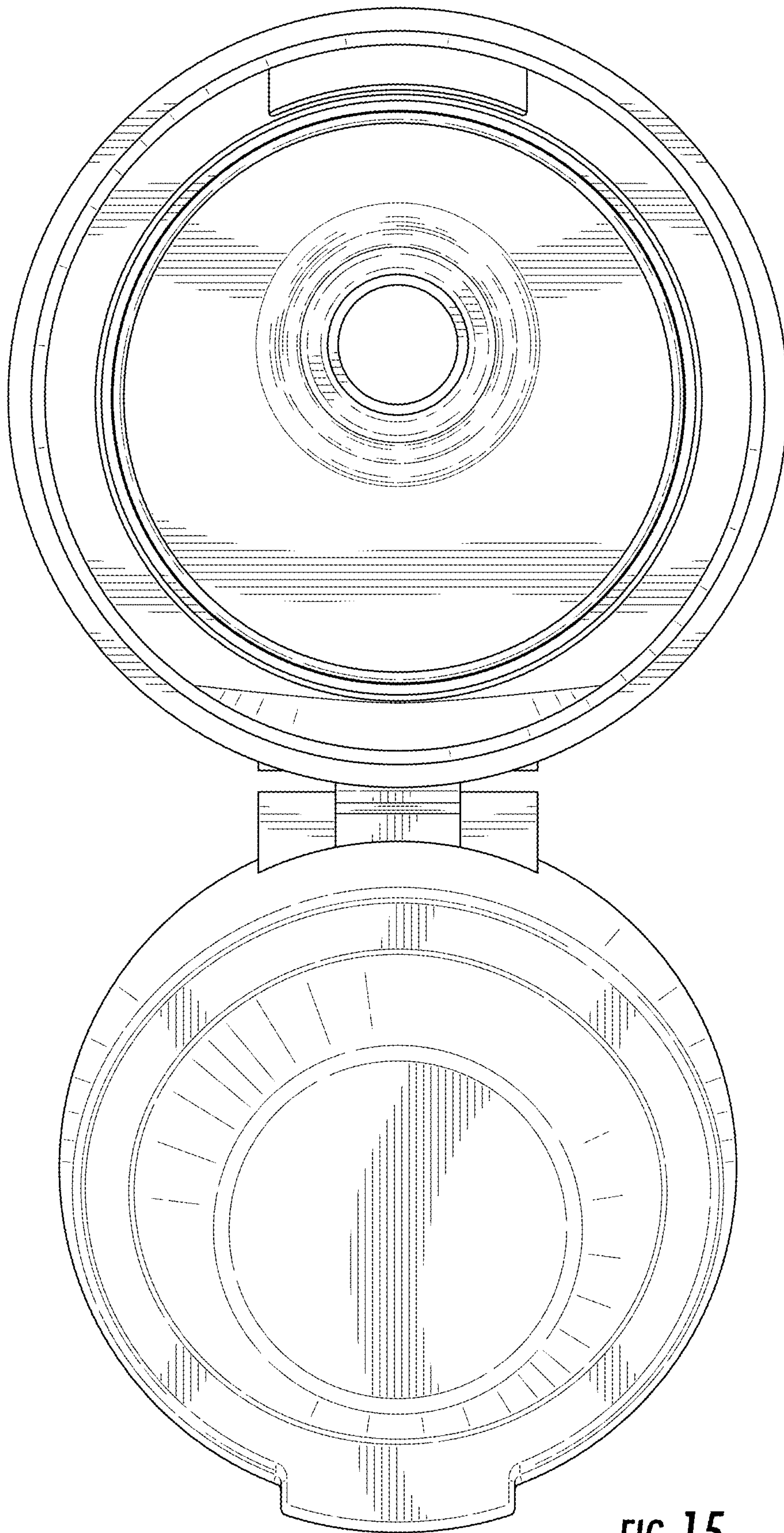


FIG. 15

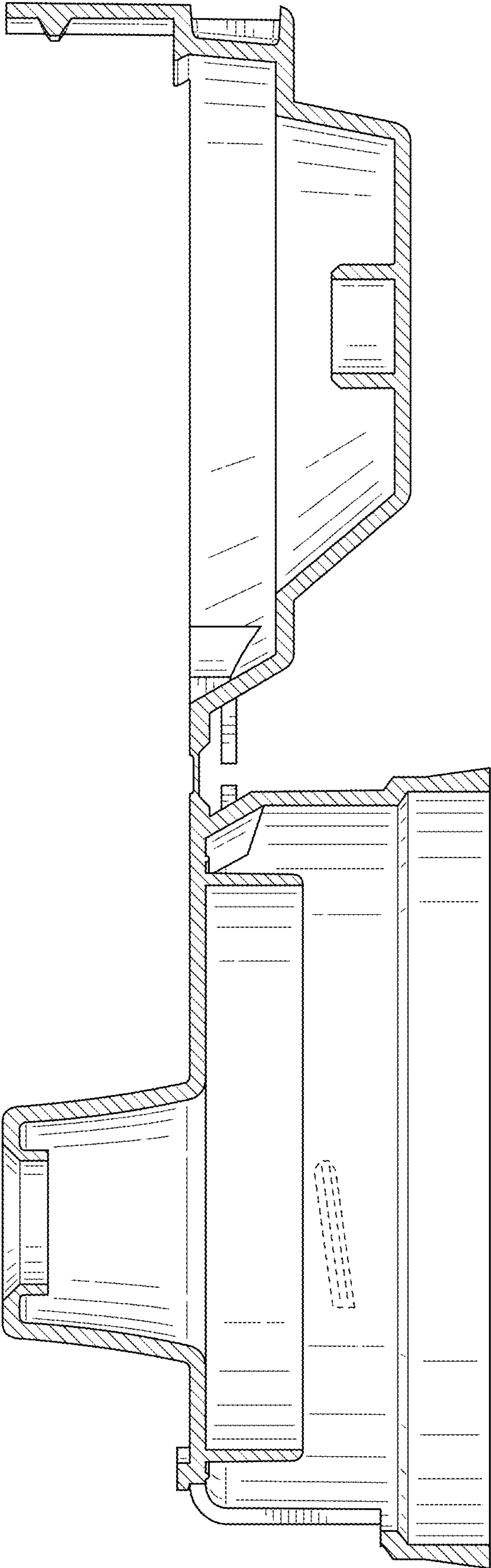


FIG. 16