



US00D915198S

(12) **United States Design Patent**
Chung

(10) **Patent No.:** **US D915,198 S**

(45) **Date of Patent:** **** Apr. 6, 2021**

(54) **SPRAYER HEAD**

(71) Applicant: **Chen-Hui Chung**, Hsinchu (TW)

(72) Inventor: **Chen-Hui Chung**, Hsinchu (TW)

(**) Term: **15 Years**

(21) Appl. No.: **29/701,029**

(22) Filed: **Aug. 7, 2019**

(51) **LOC (13) Cl.** **09-07**

(52) **U.S. Cl.**
USPC **D9/448**

(58) **Field of Classification Search**

USPC D9/682-694, 695, 723, 724, 729, 434,
D9/435, 436, 439, 440, 448, 449;
D7/300.2, 312, 313, 387, 391, 392, 392.1,
D7/396.1, 396.2, 397, 398; D23/213,
D23/214, 218, 221, 223, 224, 226, 227,
D23/233, 255, 259; D28/91.1; D24/112,
D24/113, 115, 127, 133, 193, 194, 196,
D24/199, 222

CPC ... B65D 1/00; B65D 1/02; B65D 1/10; B65D
1/46; B65D 39/00; B65D 39/0047; B65D
2585/56; B65D 2585/545; B65D 47/00;
B65D 47/06; B65D 47/08; B65D 41/00;
B65D 41/38; B65D 41/56; B65D 41/62;
B65D 5/46; A61N 5/0603; A61M 11/02;
A61M 11/006; A61J 1/00; A61J 1/1412;
B05B 7/065; B05B 11/3045; B05B
11/3046; B05B 7/0037; B05B 1/02; B05B
11/0029; B05B 11/3011; B05B 1/3436;
A47K 5/16; A47K 5/1205; A47K 5/1217;
A47K 5/14

See application file for complete search history.

(56) **References Cited**

U.S. PATENT DOCUMENTS

D199,098 S * 9/1964 Tyler D23/226
D240,036 S * 5/1976 Tada D23/226

D241,543 S * 9/1976 Tada D23/226
D242,351 S * 11/1976 Tada D23/226
D243,333 S * 2/1977 Tada D23/226
D247,366 S * 2/1978 Jones D23/225
D337,945 S * 8/1993 Warner D23/213
D346,547 S * 5/1994 Steijns D9/448
5,397,060 A * 3/1995 Maas B05B 7/0062
239/333
5,542,581 A * 8/1996 Habora B05B 11/0037
222/331
D373,312 S * 9/1996 Lin D23/226
D373,313 S * 9/1996 Lin D23/226
D400,102 S * 10/1998 Tada D9/448
D521,864 S * 5/2006 Cartoni D9/448
D523,337 S * 6/2006 Yang D9/448
D546,683 S * 7/2007 Yang D9/448
D550,079 S * 9/2007 Yang D9/448

(Continued)

OTHER PUBLICATIONS

Tough Guy Plastic Trigger Sprayer: Site Visited [Sep. 30, 2020].
Available from Internet URL: <https://www.imperialsupplies.com/item/9158025>.*

(Continued)

Primary Examiner — Catherine S Posthauer

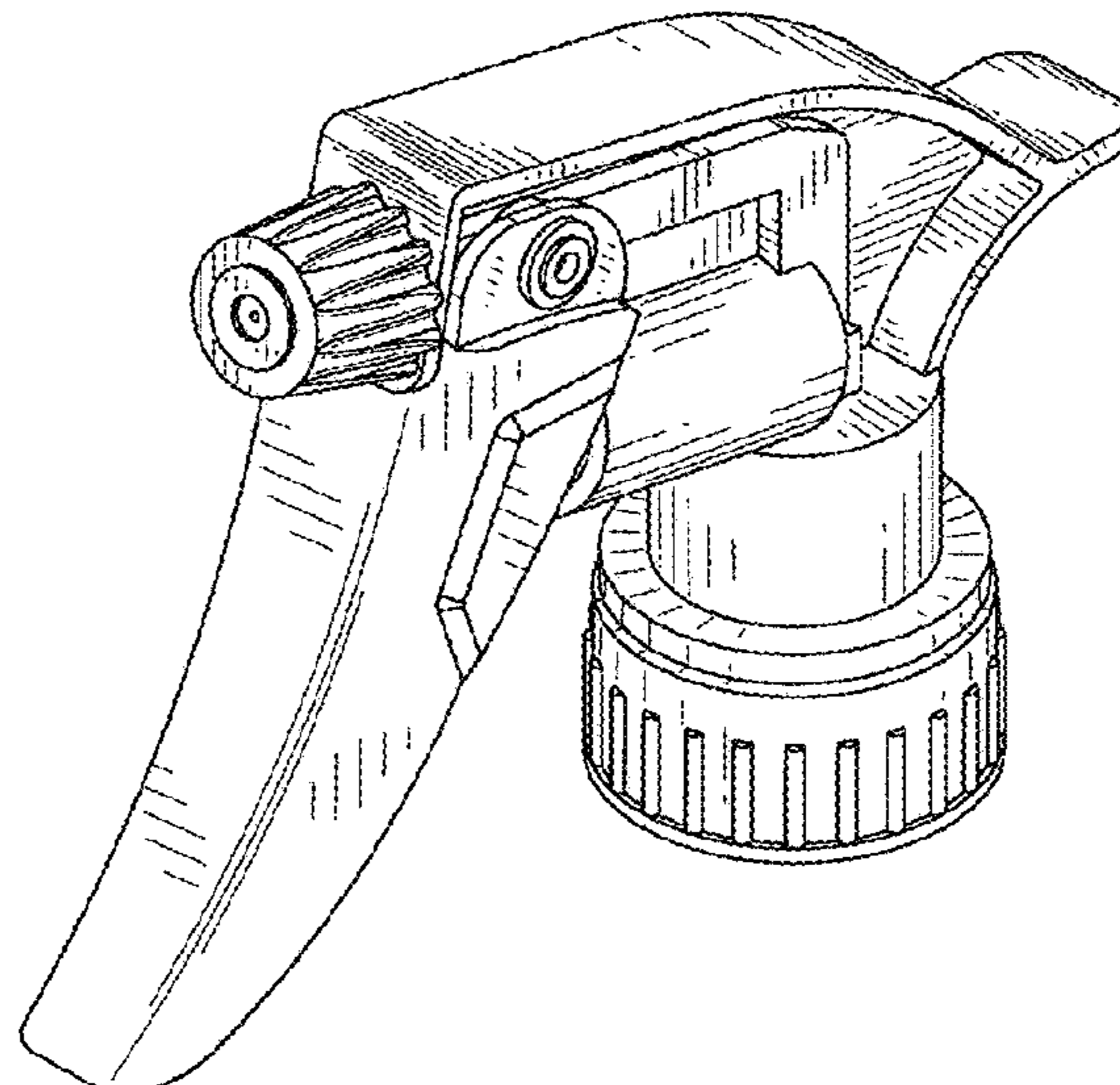
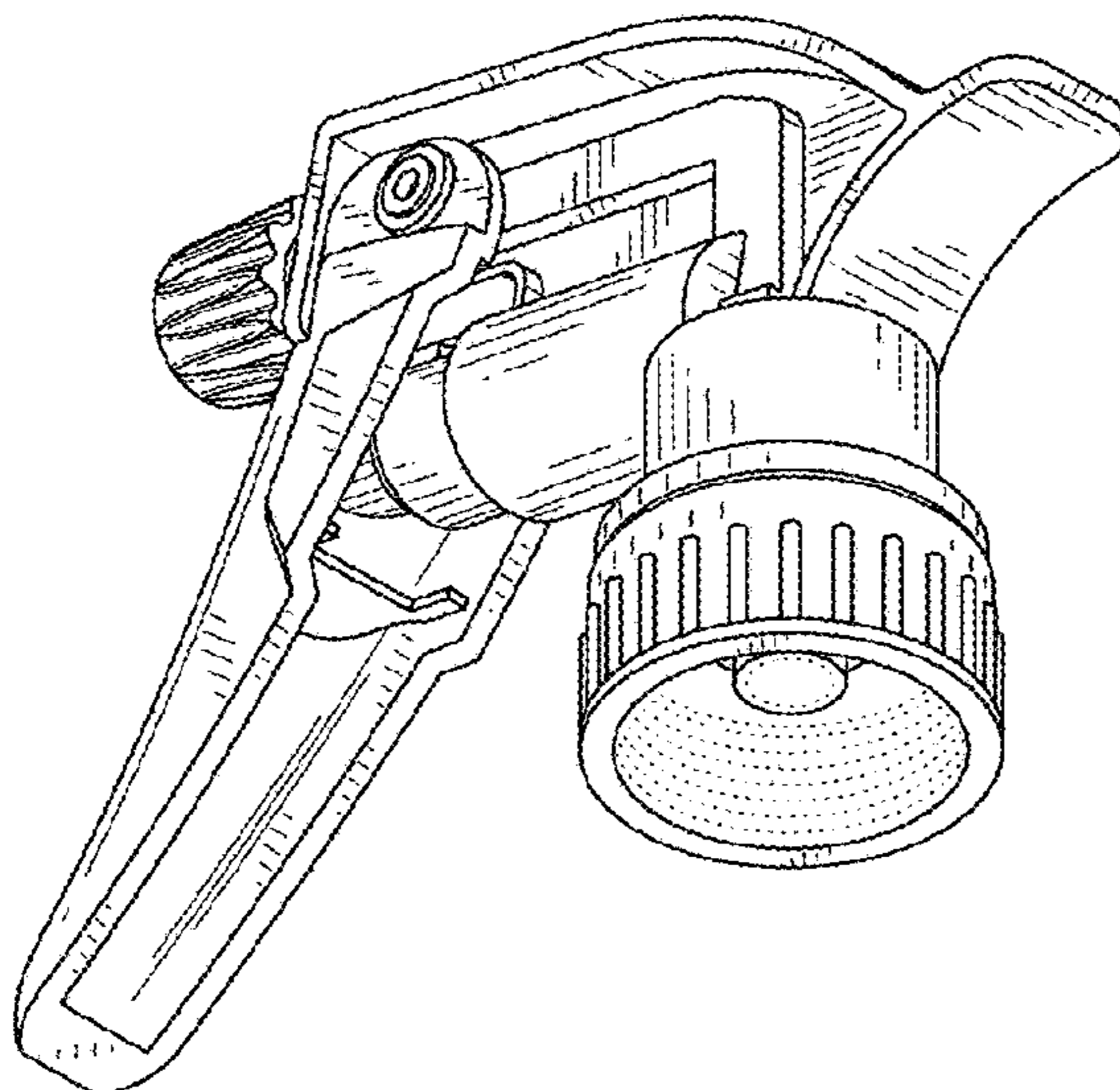
(57) **CLAIM**

The ornamental design for a sprayer head, as shown and described.

DESCRIPTION

FIG. 1 is a front elevational view of a sprayer head showing my new design;
FIG. 2 is a rear elevational view thereof;
FIG. 3 is a perspective view thereof; and,
FIG. 4 is another perspective view thereof.
The broken lines shown in sprayer head form no part of the claimed design.

1 Claim, 4 Drawing Sheets



(56)

References Cited

U.S. PATENT DOCUMENTS

D551,549 S * 9/2007 Maas B05B 11/3011
 D9/448
 D578,888 S * 10/2008 Alluigi D9/448
 D580,760 S * 11/2008 Costa Quintas D9/448
 D581,269 S * 11/2008 Alluigi D9/448
 D582,771 S * 12/2008 Cantoni D9/448
 D583,233 S * 12/2008 Cantoni D9/448
 D587,574 S * 3/2009 Cantoni D9/448
 D596,938 S * 7/2009 Broadbent D9/448
 D601,897 S * 10/2009 Contiero D9/448
 D623,942 S * 9/2010 Alluigi D9/448
 D625,187 S * 10/2010 McCay D9/448
 D625,188 S * 10/2010 Rech D9/448
 D628,067 S * 11/2010 Pearson D9/448
 D653,945 S * 2/2012 Pearson D9/448
 D653,946 S * 2/2012 Arminak D9/448

D662,816 S * 7/2012 Notarianni D9/448
 D685,268 S * 7/2013 Gill D9/448
 D700,841 S * 3/2014 Natersky D9/448
 D715,648 S * 10/2014 Kistler D9/448
 D777,033 S * 1/2017 Takizawa D9/448
 D846,393 S * 4/2019 Bos D9/448
 D866,329 S * 11/2019 Tu D9/448
 D866,330 S * 11/2019 Tu D9/448
 D873,662 S * 1/2020 Tada D9/448
 D875,526 S * 2/2020 Bos D9/448
 D895,769 S * 9/2020 Laible D23/223

OTHER PUBLICATIONS

Chemical Guys Heavy Duty Bottle and Sprayer: Announced Nov. 27, 2015 [online]. Site Visited [Sep. 30, 2020]. Available from Internet URL: <https://www.amazon.com/dp/B003ZATW42?th=1>.*

* cited by examiner

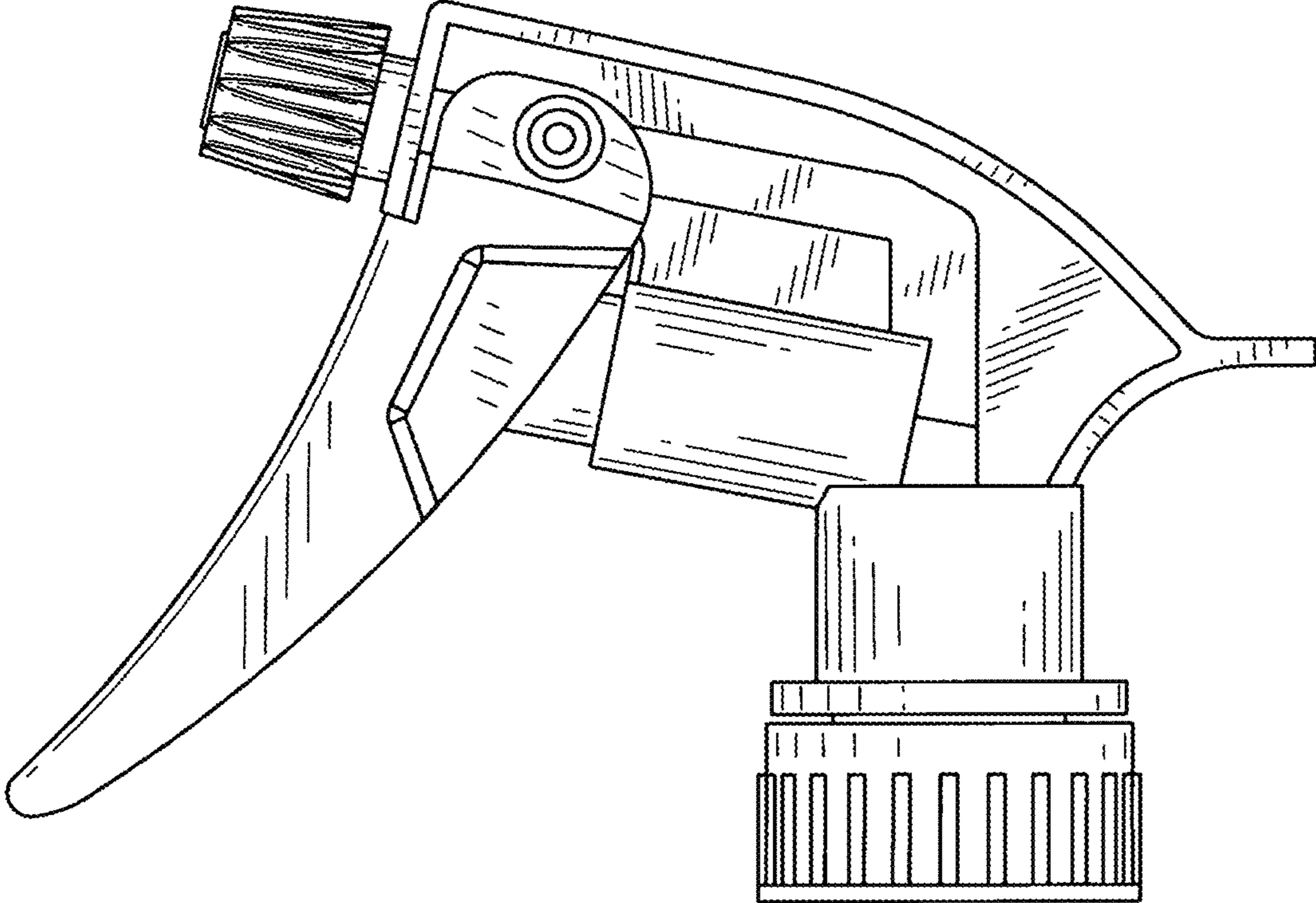


FIG. 1

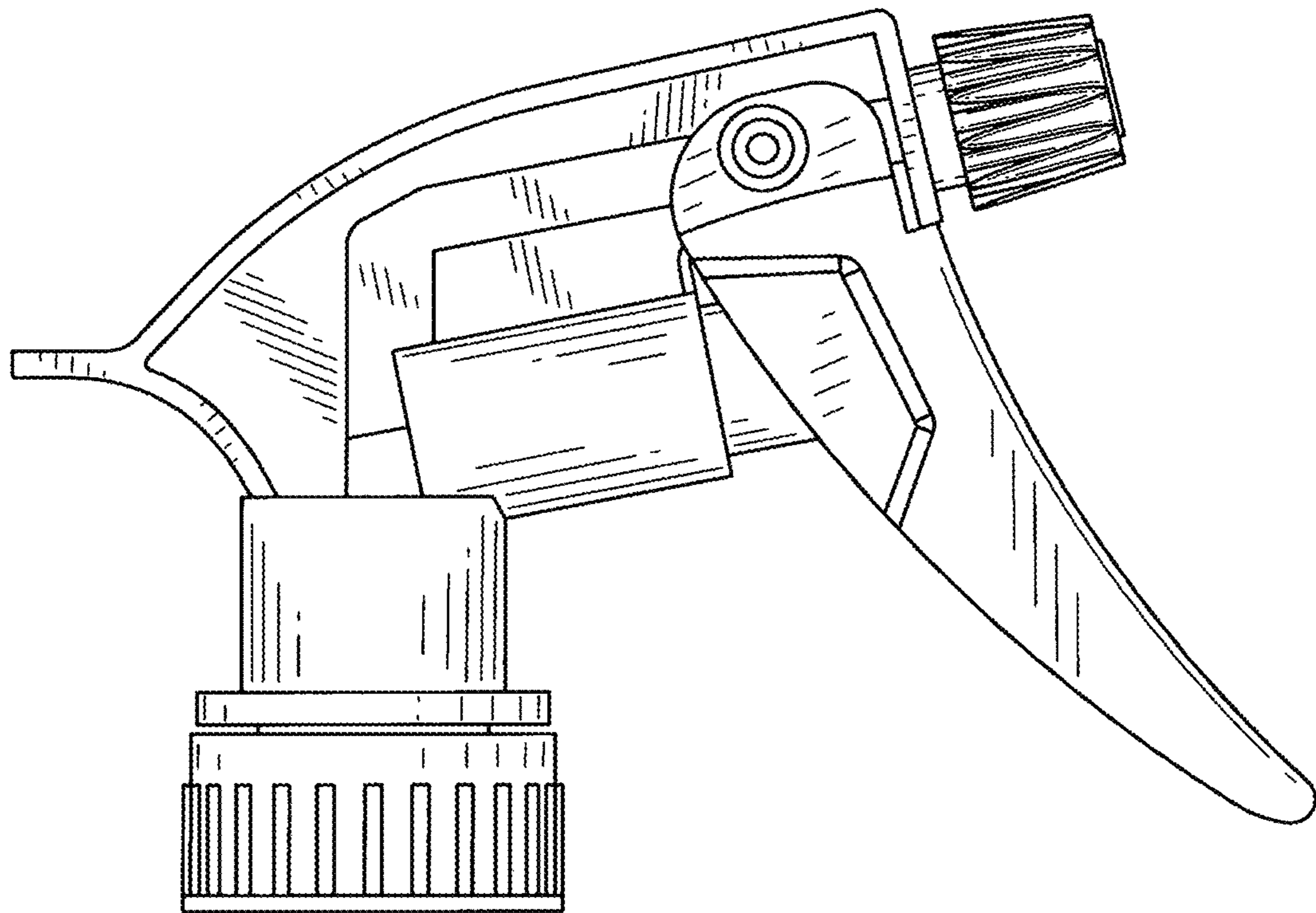


FIG. 2

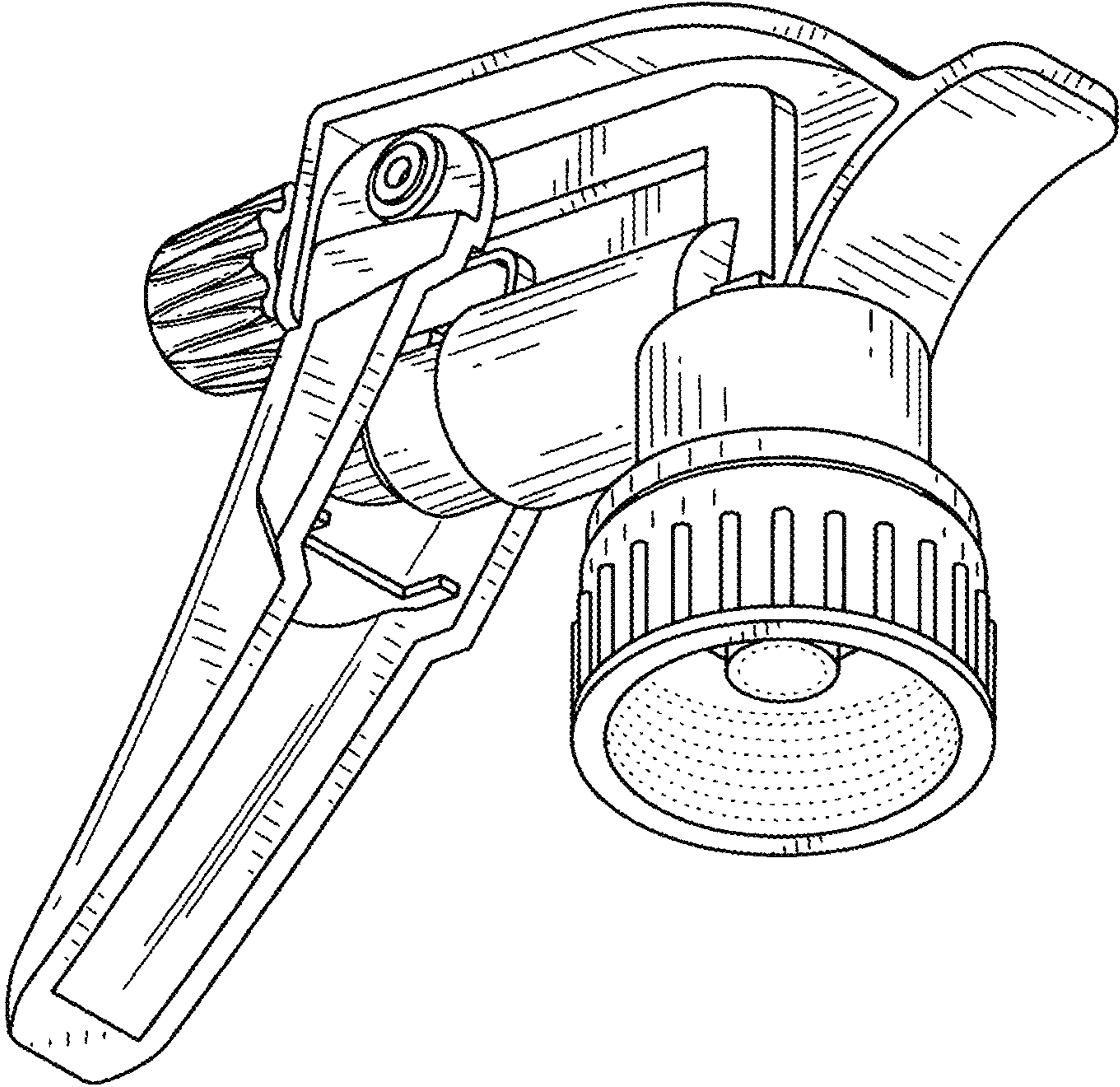


FIG. 3

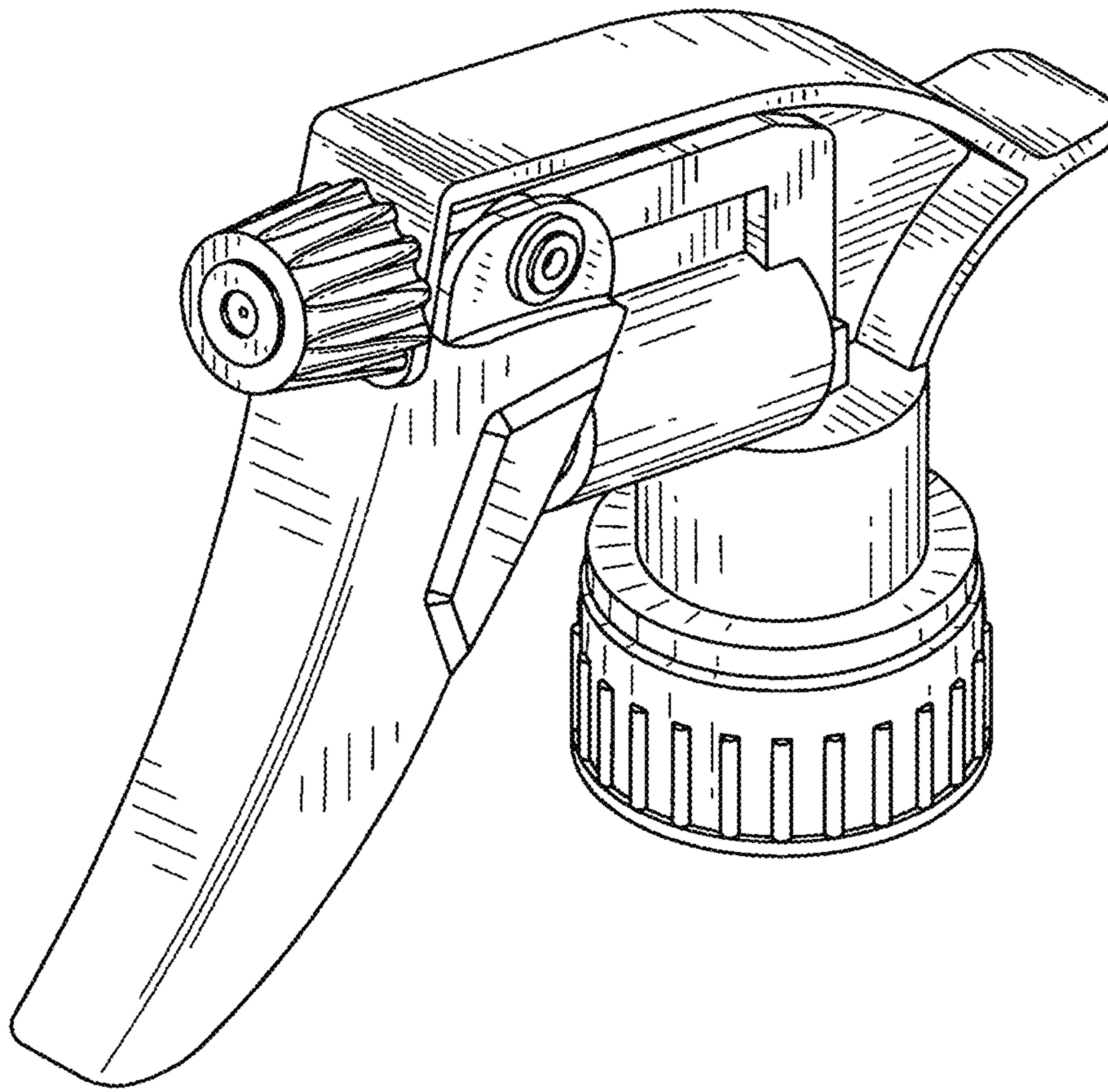


FIG. 4