



US00D915197S

(12) **United States Design Patent**
Katano et al.

(10) **Patent No.:** **US D915,197 S**

(45) **Date of Patent:** **** Apr. 6, 2021**

(54) **RING FOR PUMP DISPENSER**

(71) Applicant: **Kao Corporation**, Tokyo (JP)

(72) Inventors: **Machiko Katano**, Tokyo (JP);
Tomohisa Hirata, Tokyo (JP); **Hiroshi Onishi**, Tokyo (JP)

(73) Assignee: **Kao Corporation**, Tokyo (JP)

(**) Term: **15 Years**

(21) Appl. No.: **29/700,001**

(22) Filed: **Jul. 30, 2019**

(30) **Foreign Application Priority Data**

Jan. 31, 2019 (JP) 2019-001889

(51) **LOC (13) Cl.** **09-07**

(52) **U.S. Cl.**
USPC **D9/448**

(58) **Field of Classification Search**
USPC D3/202; D6/542, 550; D7/509-511,
D7/550.1, 601, 619.1, 624.1, 635, 354,
(Continued)

(56) **References Cited**

U.S. PATENT DOCUMENTS

D346,433 S * 4/1994 Cooper D23/259
D350,481 S * 9/1994 DeLury D27/133
(Continued)

FOREIGN PATENT DOCUMENTS

CN 304039284 * 2/2017
JP D1623913 S 2/2019
(Continued)

Primary Examiner — Catherine S Posthauer

(74) *Attorney, Agent, or Firm* — Oblon, McClelland,
Maier & Neustadt, L.L.P.

(57) **CLAIM**

The ornamental design for a ring for pump dispenser, as shown and described.

DESCRIPTION

FIG. 1 is a front, right side, top perspective view of a first embodiment of a ring for pump dispenser, showing our new design;

FIG. 2 is a front elevational view of the first embodiment thereof;

FIG. 3 is a rear elevational view of the first embodiment thereof;

FIG. 4 is a left side elevational view of the first embodiment thereof;

FIG. 5 is a right side elevational view of the first embodiment thereof;

FIG. 6 is a top plan view of the first embodiment thereof;

FIG. 7 is a bottom plan view of the first embodiment thereof;

FIG. 8 is a cross-sectional view of the first embodiment thereof, taken in the direction of line 8-8 of FIG. 6;

FIG. 9 is a side elevational view of the first embodiment thereof, shown in an exploded position of use with an exemplary pump dispenser; and

FIG. 10 is a side elevational view of the first embodiment thereof, shown in an assembled position of use with the exemplary pump dispenser.

FIG. 11 is a front, right side, top perspective view of the second embodiment of a ring for pump dispenser, showing our new design;

FIG. 12 is a front elevational view of the second embodiment thereof;

FIG. 13 is a rear elevational view of the second embodiment thereof;

FIG. 14 is a left side elevational view of the second embodiment thereof;

FIG. 15 is a right side elevational view of the second embodiment thereof;

FIG. 16 is a top plan view of the second embodiment thereof;

FIG. 17 is a bottom plan view of the second embodiment thereof;

FIG. 18 is a cross-sectional view of the second embodiment thereof, taken in the direction of line 18-18 of FIG. 16;

(Continued)

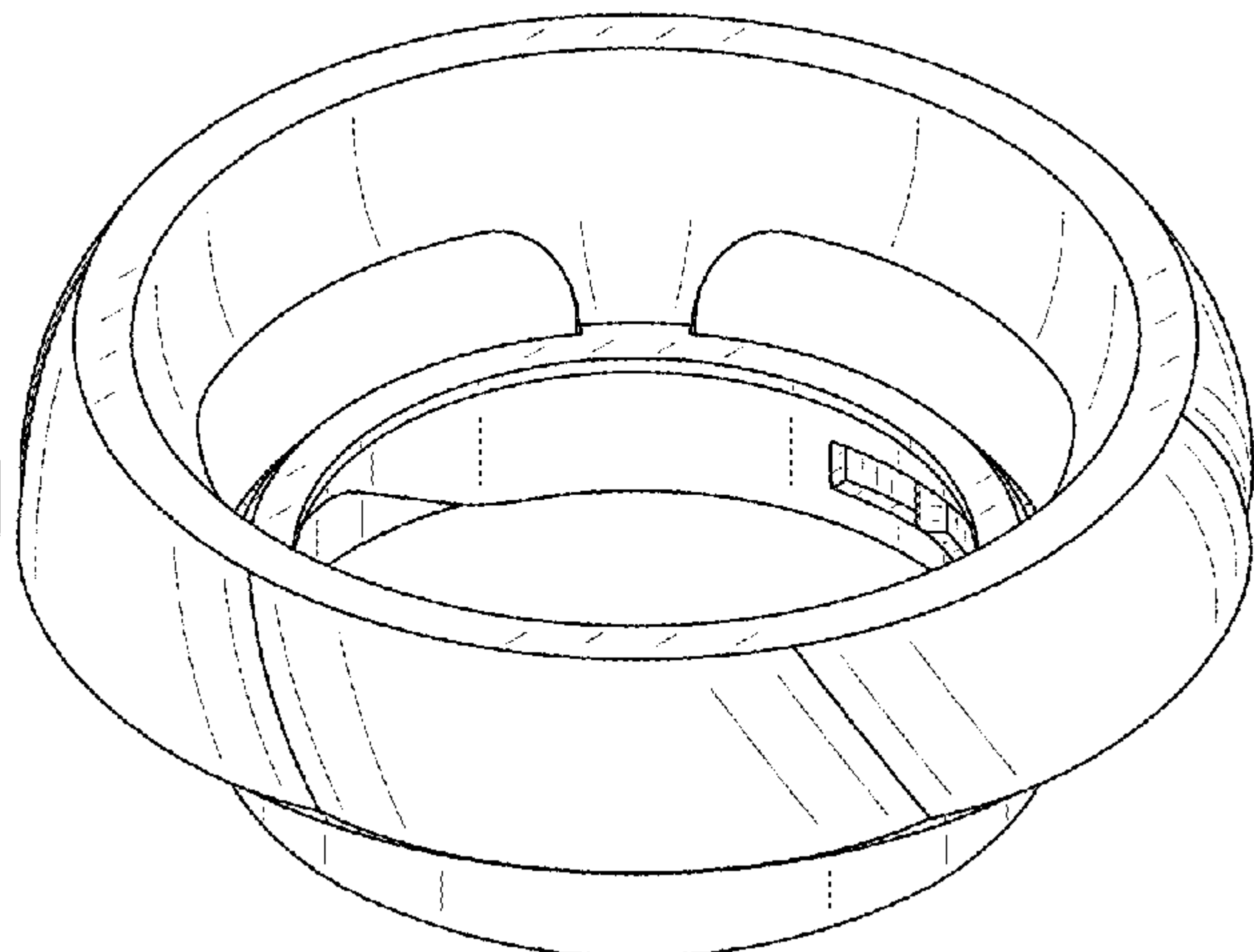
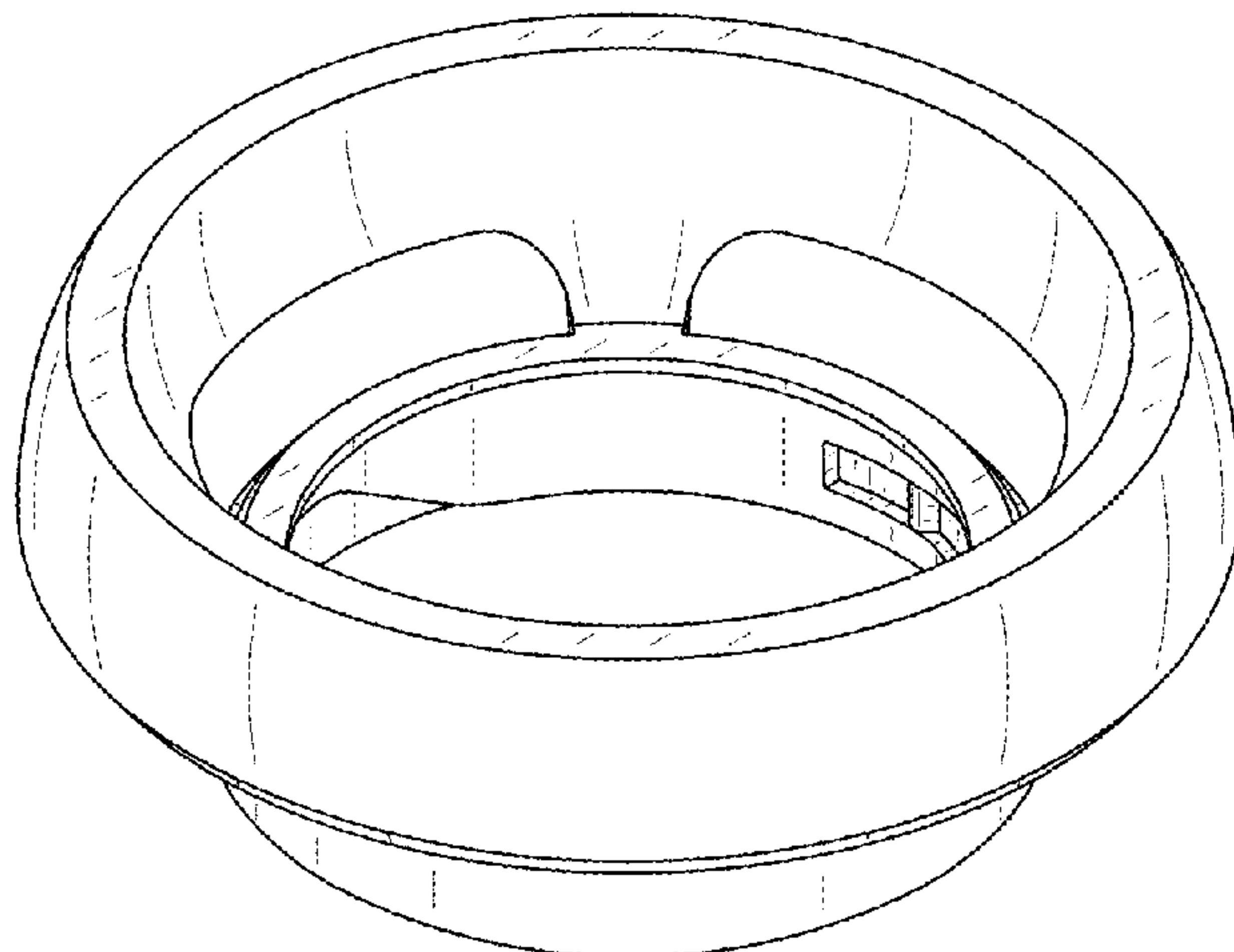


FIG. 19 is a side elevational view of the second embodiment thereof, shown in an exploded position of use with an exemplary pump dispenser; and, FIG. 20 is a side elevational view of the second embodiment thereof, shown in an assembled position of use with the exemplary pump dispenser. The broken lines are included for the purpose of illustrating the environmental structure and form no part of the claimed design.

1 Claim, 12 Drawing Sheets

(58) **Field of Classification Search**

USPC D7/387, 391, 392, 392.1, 396.1, 396.2, D7/396.6; D9/716, 719, 529, 417, 434, D9/435, 436, 438, 439, 440, 445, 447, D9/448, 452, 454, 455.683; D23/206, D23/208, 209, 210, 249, 259, 260, 261, D23/303; D28/91.1
 CPC .. B65D 43/0212; B65D 43/0218; B65D 1/36; B65D 51/28; B65D 2543/00046; B65D 2543/00027; B65D 2543/00092; B65D 2543/00296; B65D 2543/00351; B65D

2543/00537; B65D 2543/00731; B65D 47/2018; B65D 47/06

See application file for complete search history.

(56)

References Cited

U.S. PATENT DOCUMENTS

D536,973	S	*	2/2007	van der Heijden	D6/542
D682,994	S	*	5/2013	Schulz	D23/259
D684,055	S	*	6/2013	Kwon	D9/452
D710,485	S	*	8/2014	Nudo	D23/262
D717,464	S	*	11/2014	Wainwright	D24/216
D738,491	S	*	9/2015	Foley	D24/121
D751,397	S	*	3/2016	Kim	D9/452
D753,488	S	*	4/2016	Escobar	D9/445
D761,649	S	*	7/2016	Buck	D9/447
D852,231	S		6/2019	Larsson et al.		
D872,859	S	*	1/2020	Krebs	D24/127
D894,343	S	*	8/2020	Hay	D23/259
2011/0174658	A1	*	7/2011	Otsubo	206/508

FOREIGN PATENT DOCUMENTS

TW	D150672	S	12/2012
TW	D174524	S	3/2016

* cited by examiner

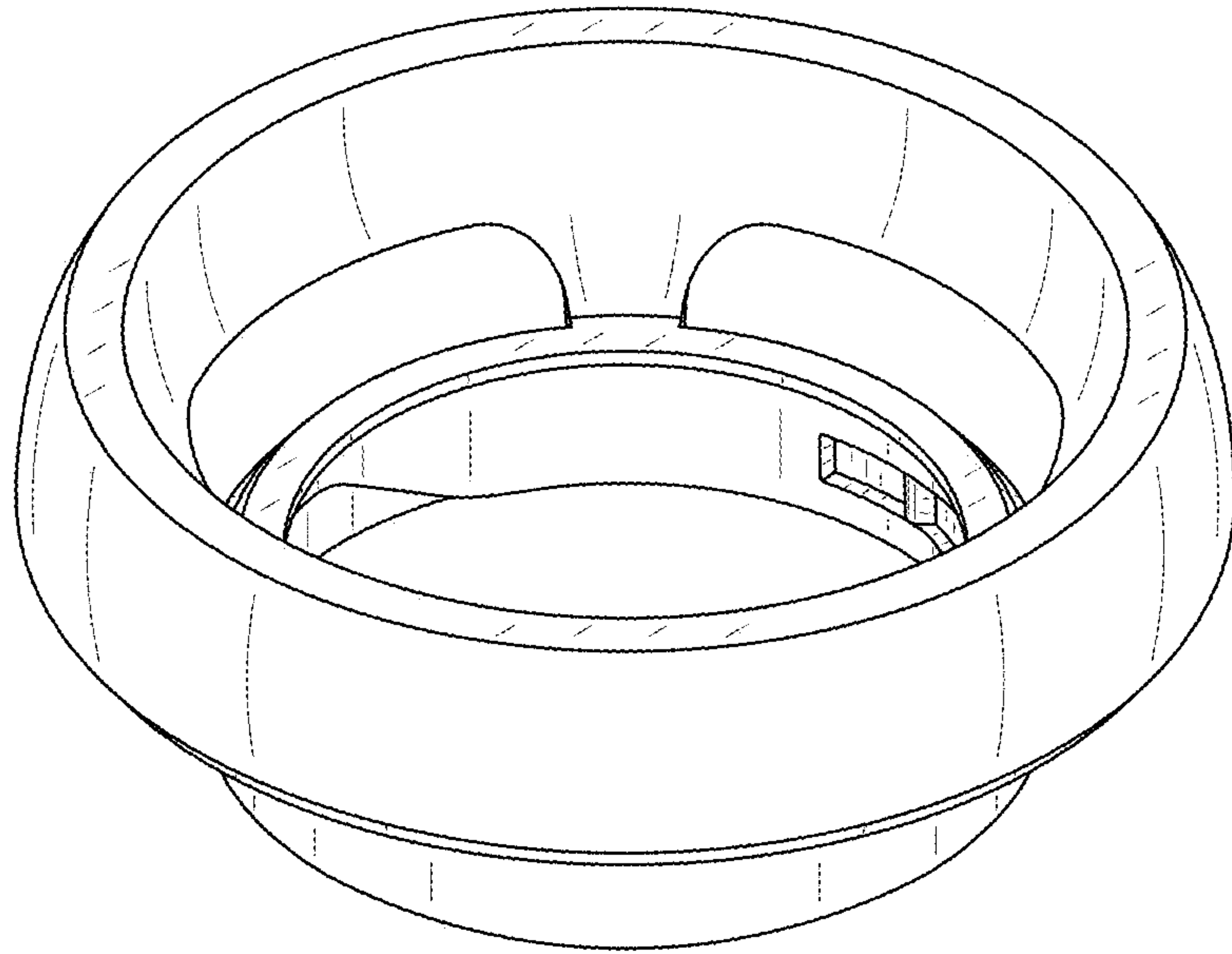


FIG.1

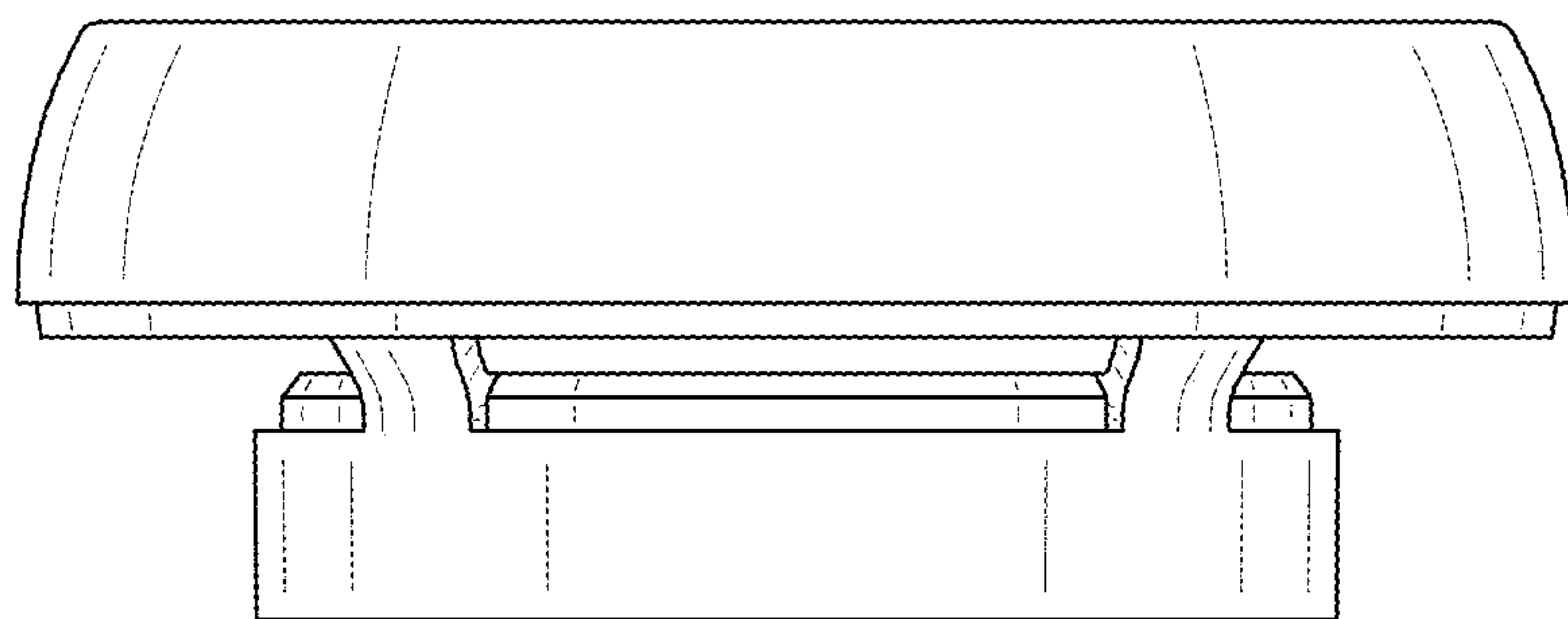


FIG.2

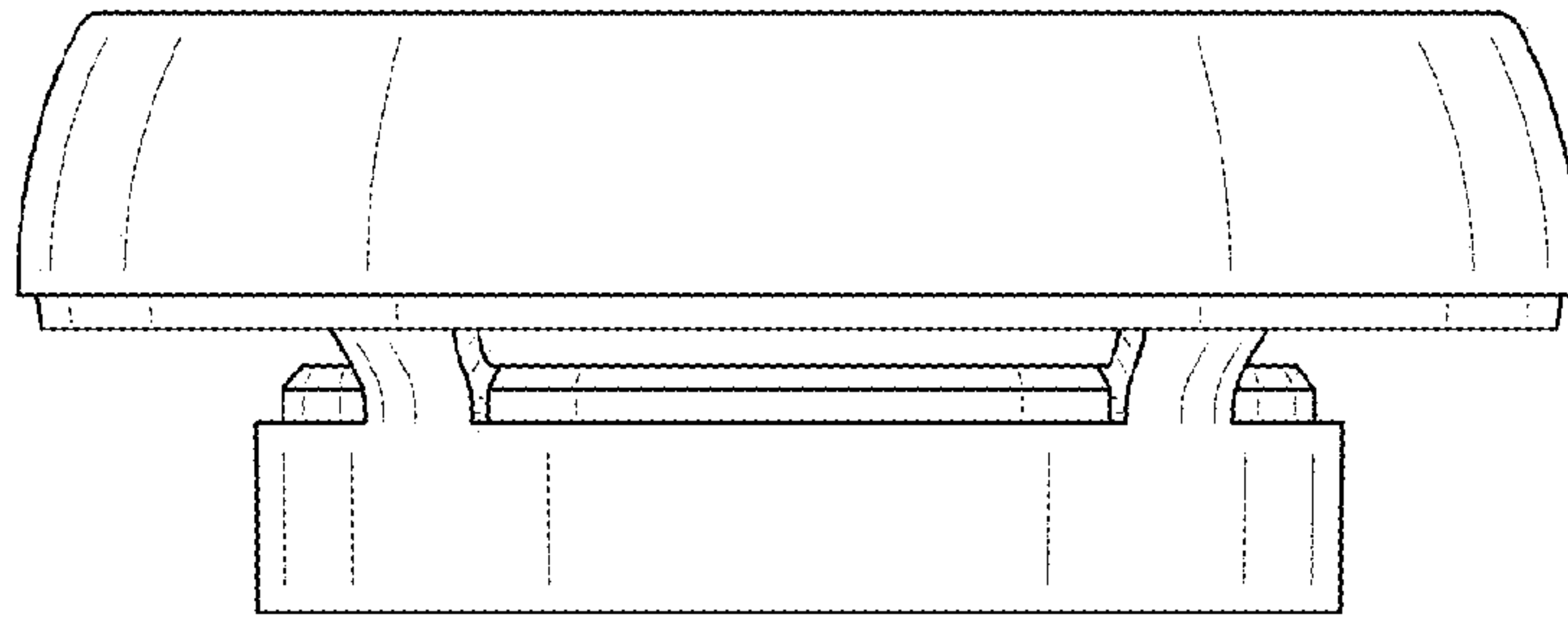


FIG.3

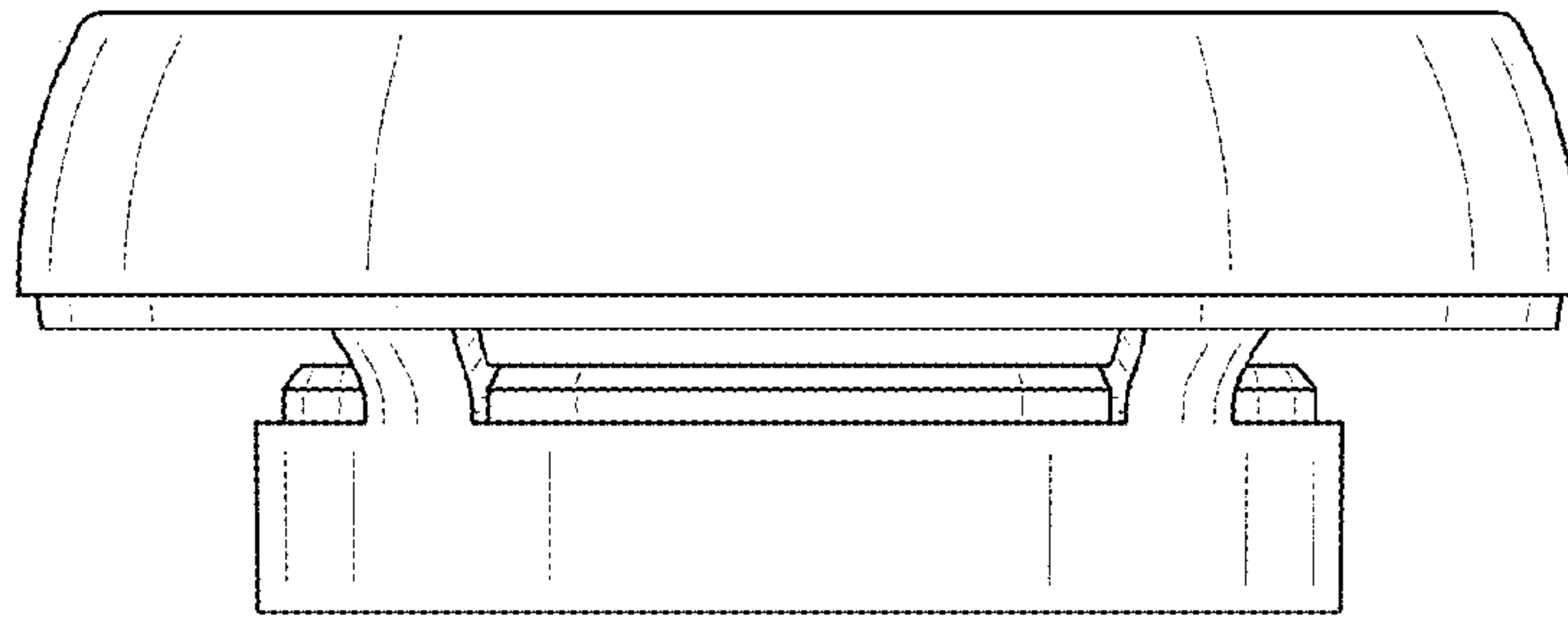


FIG.4

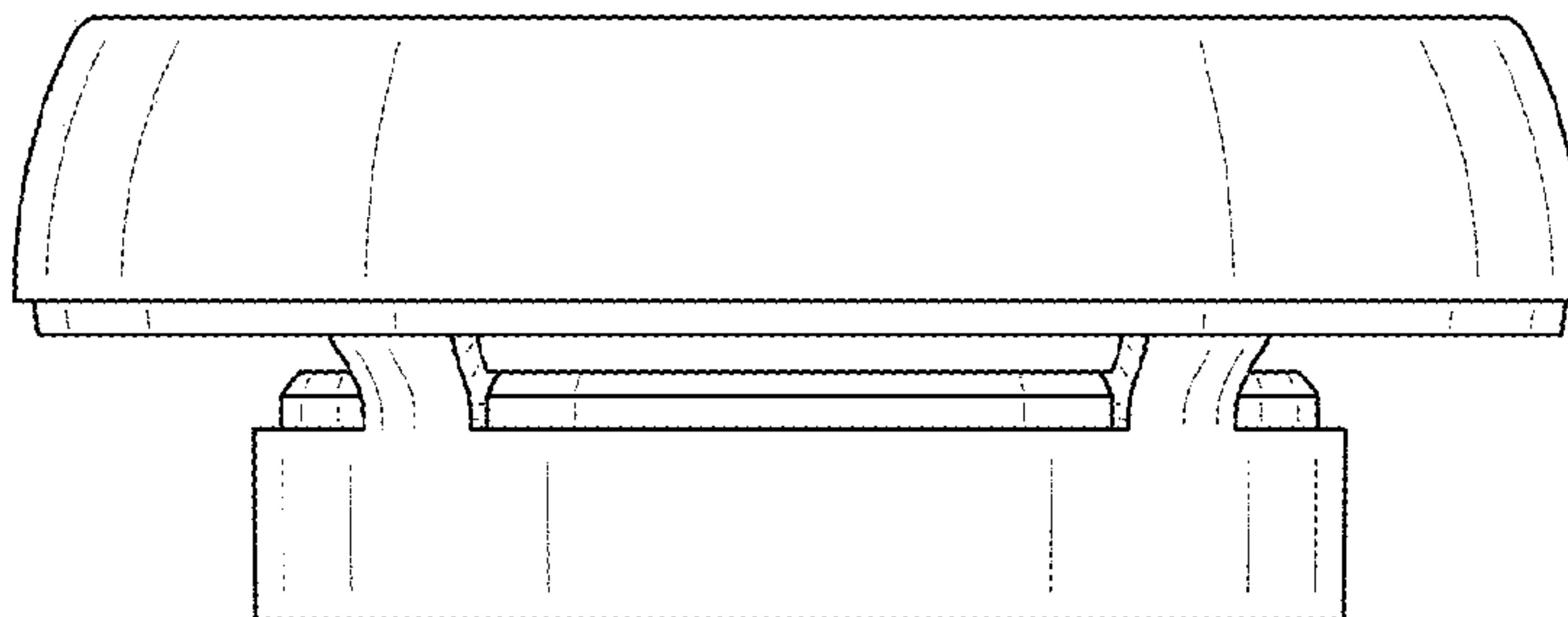


FIG.5

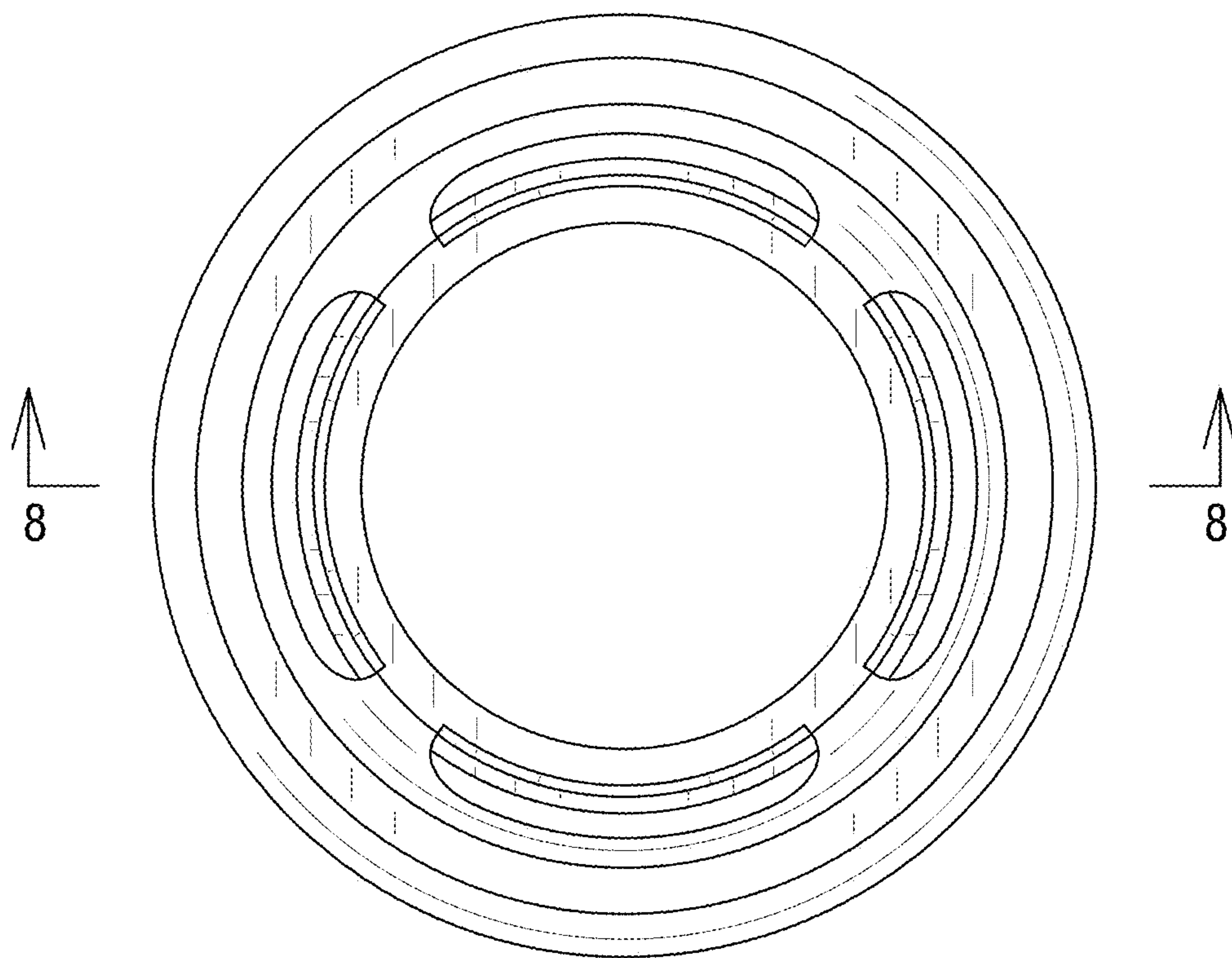


FIG. 6

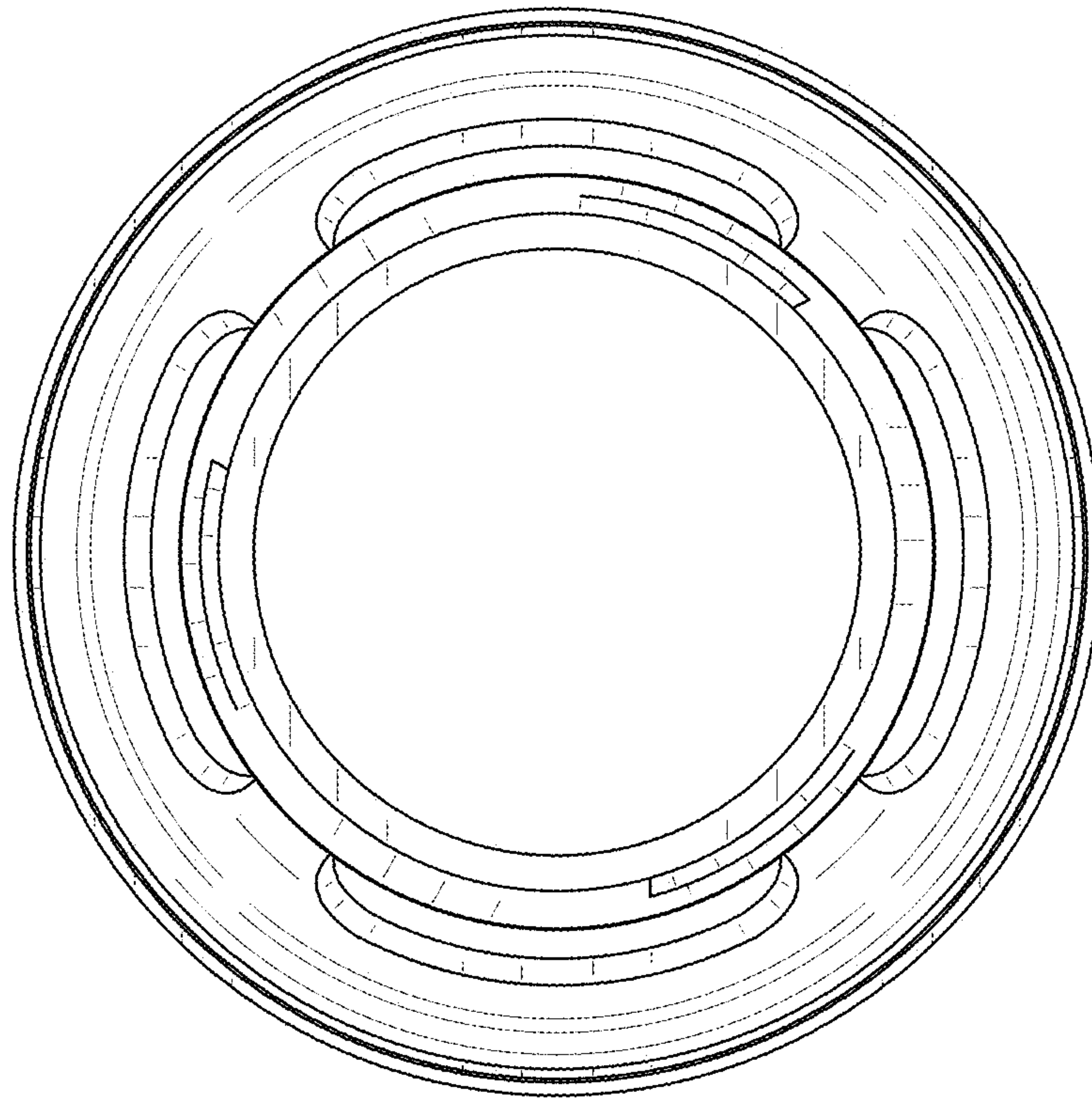


FIG. 7

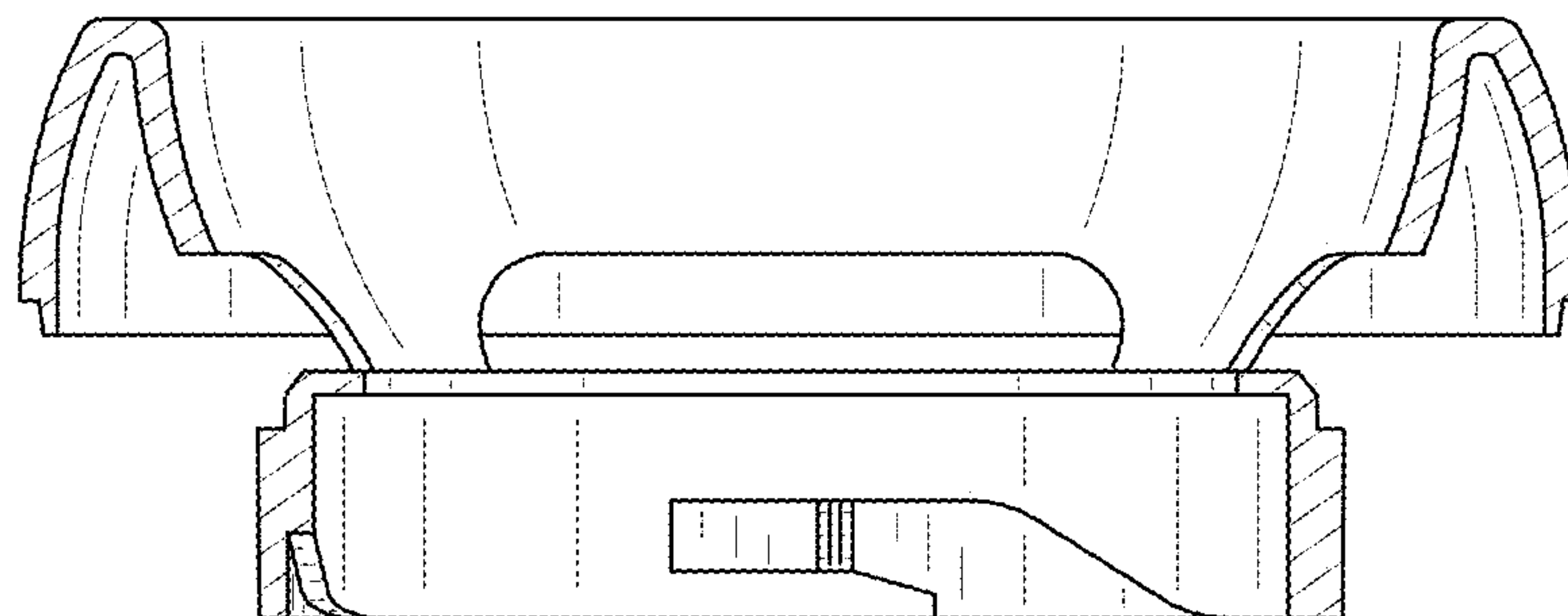


FIG. 8

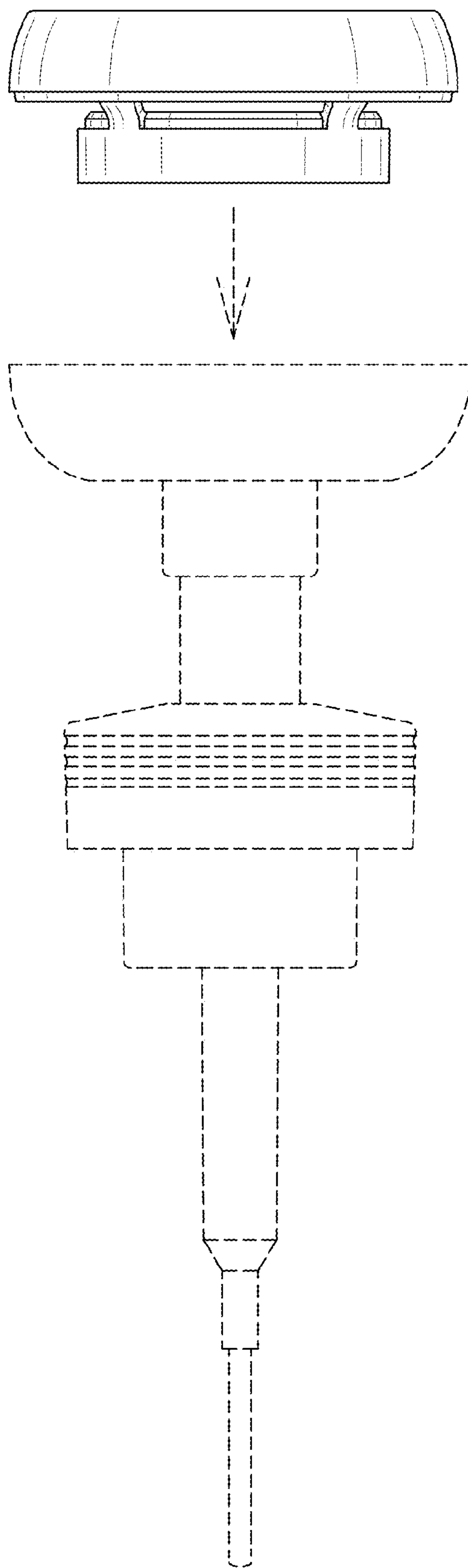


FIG.9

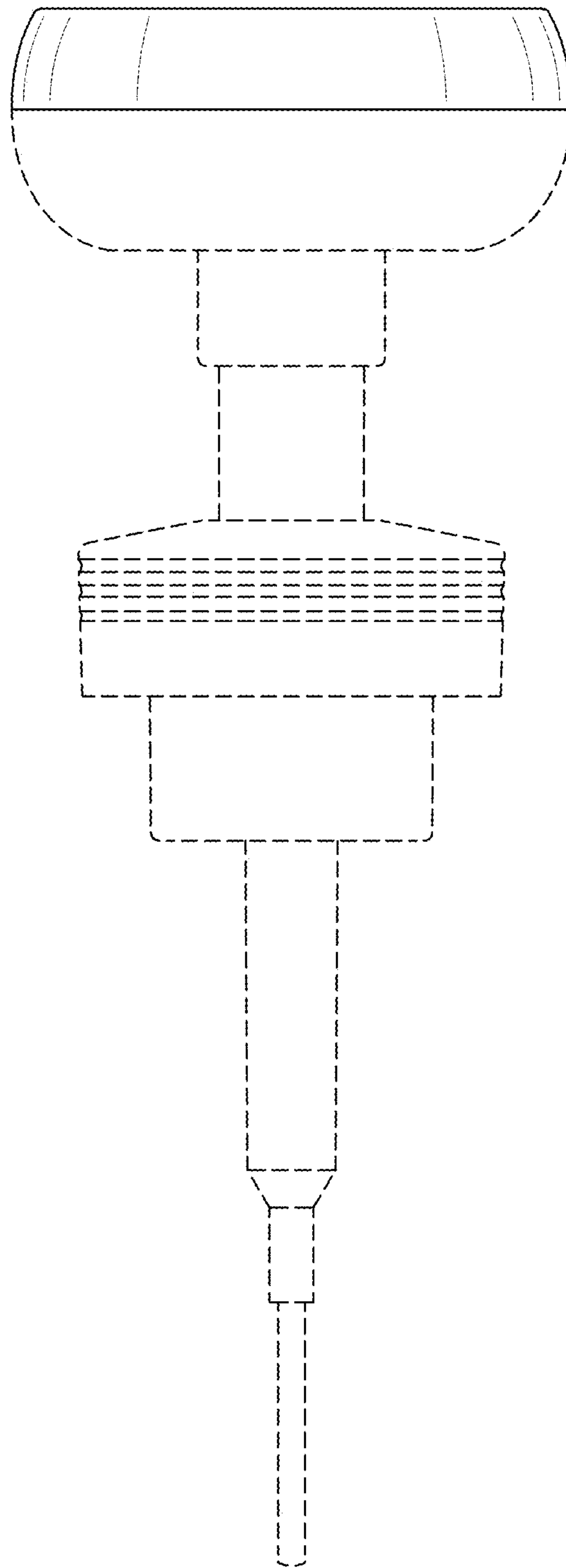


FIG. 10

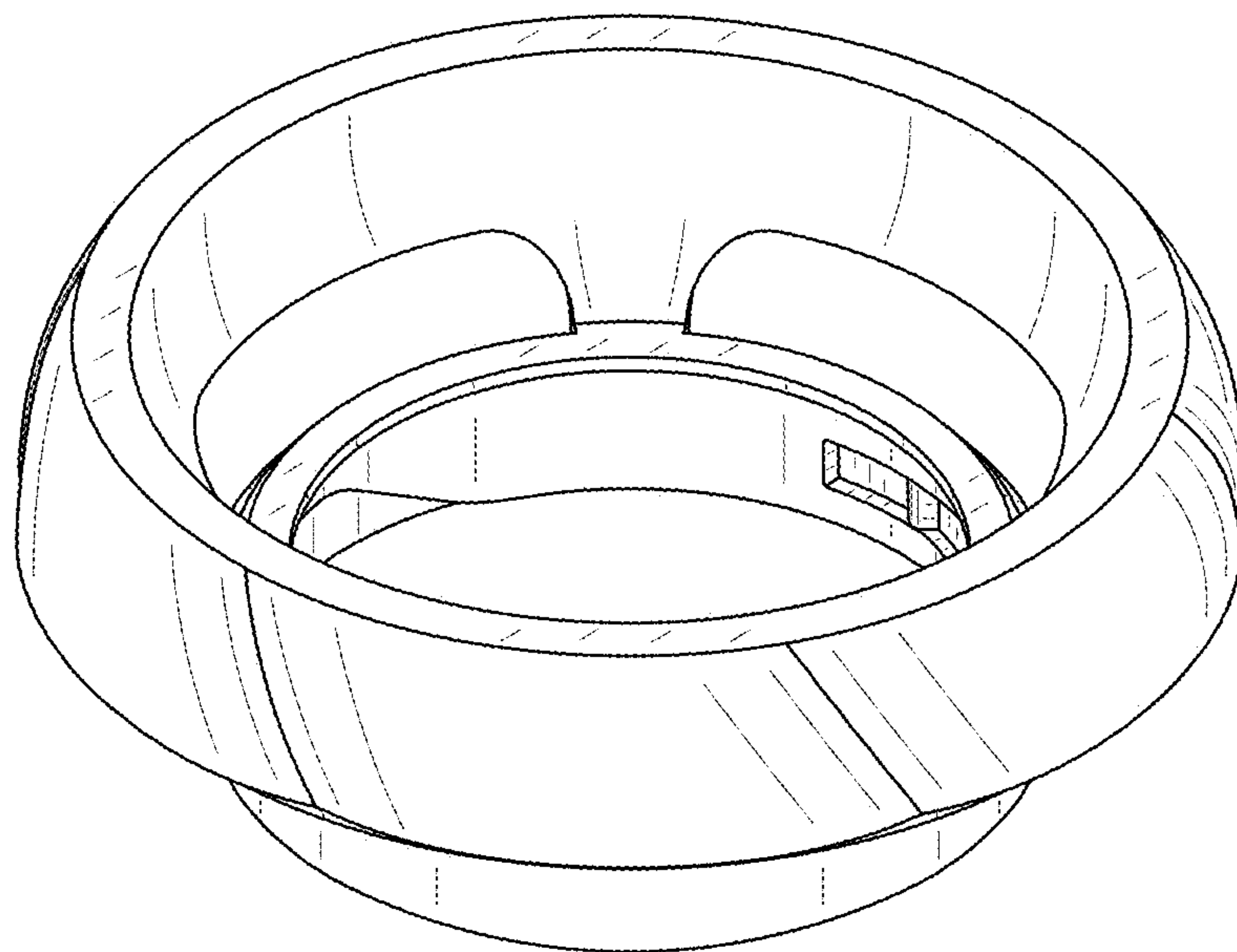


FIG. 11

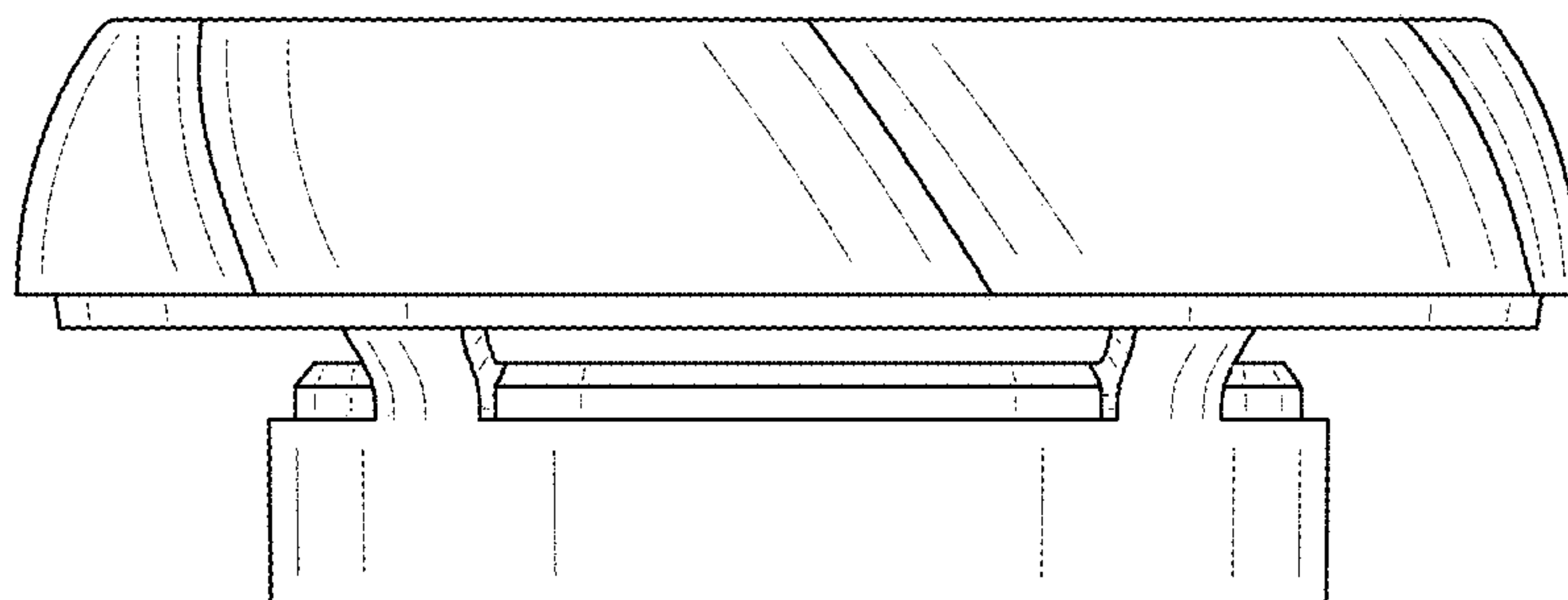


FIG. 12

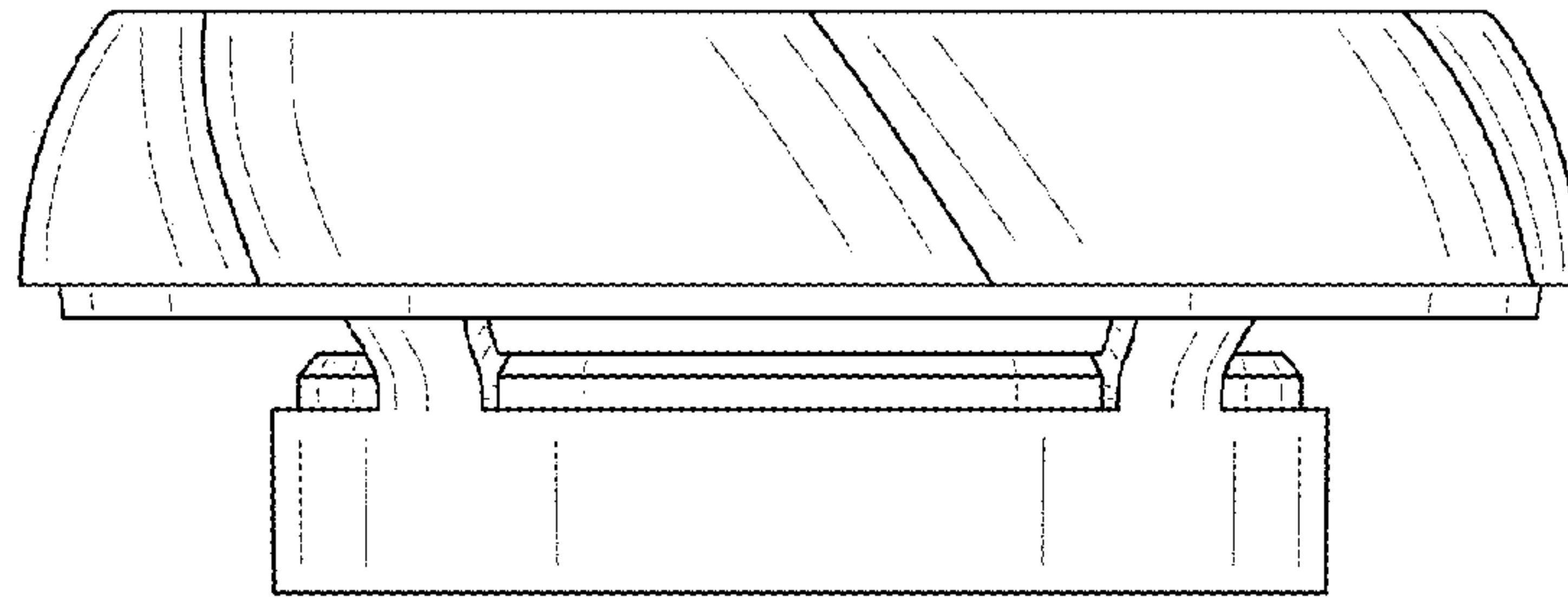


FIG. 13

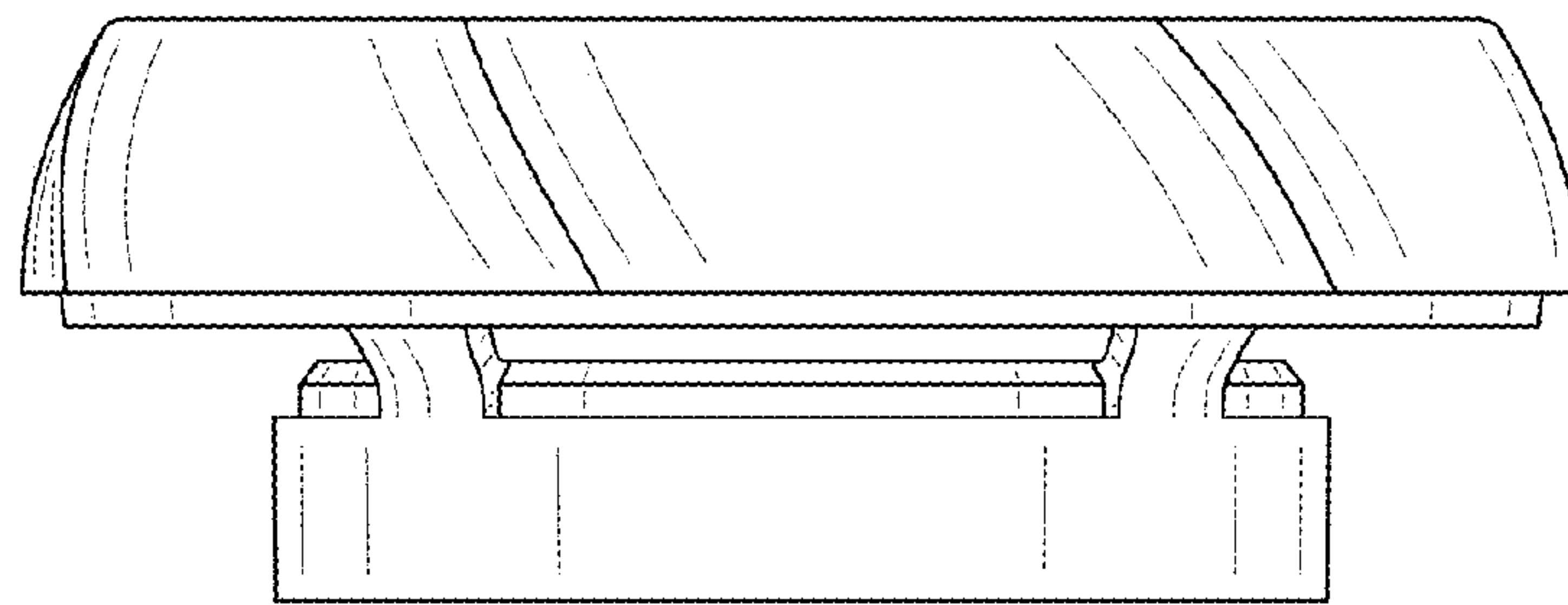


FIG. 14

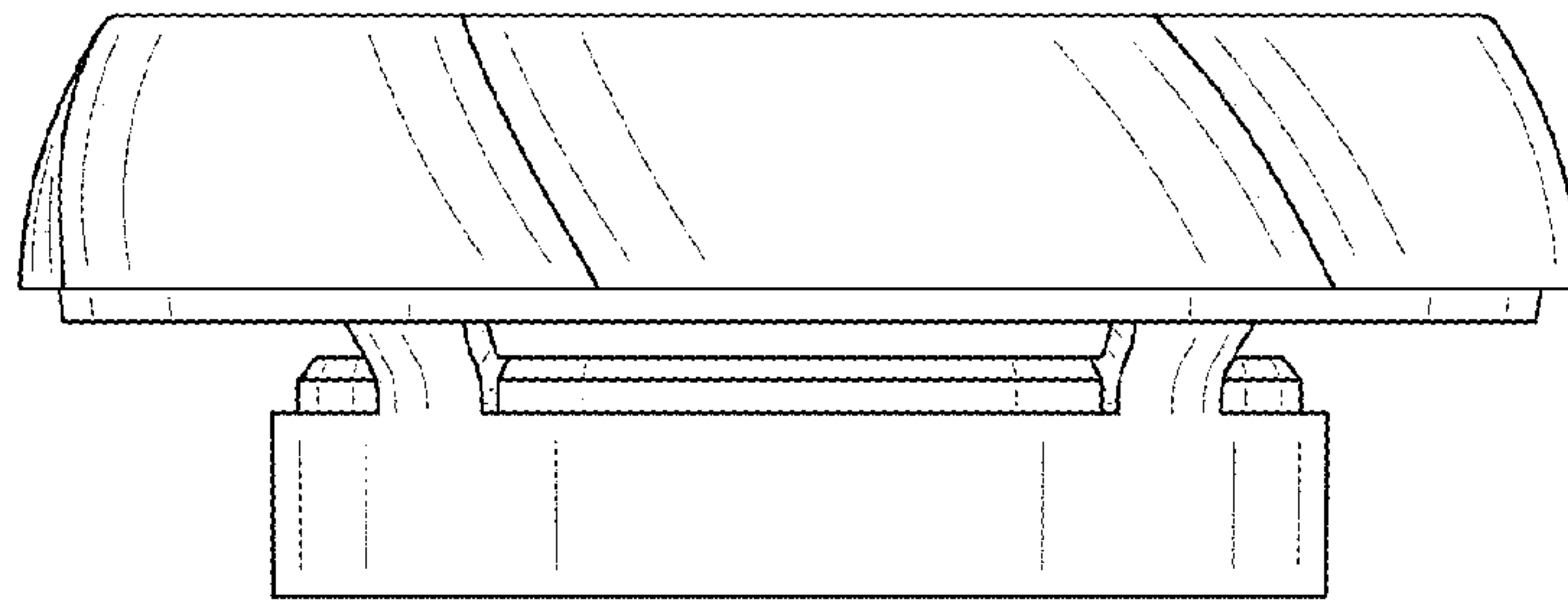


FIG. 15

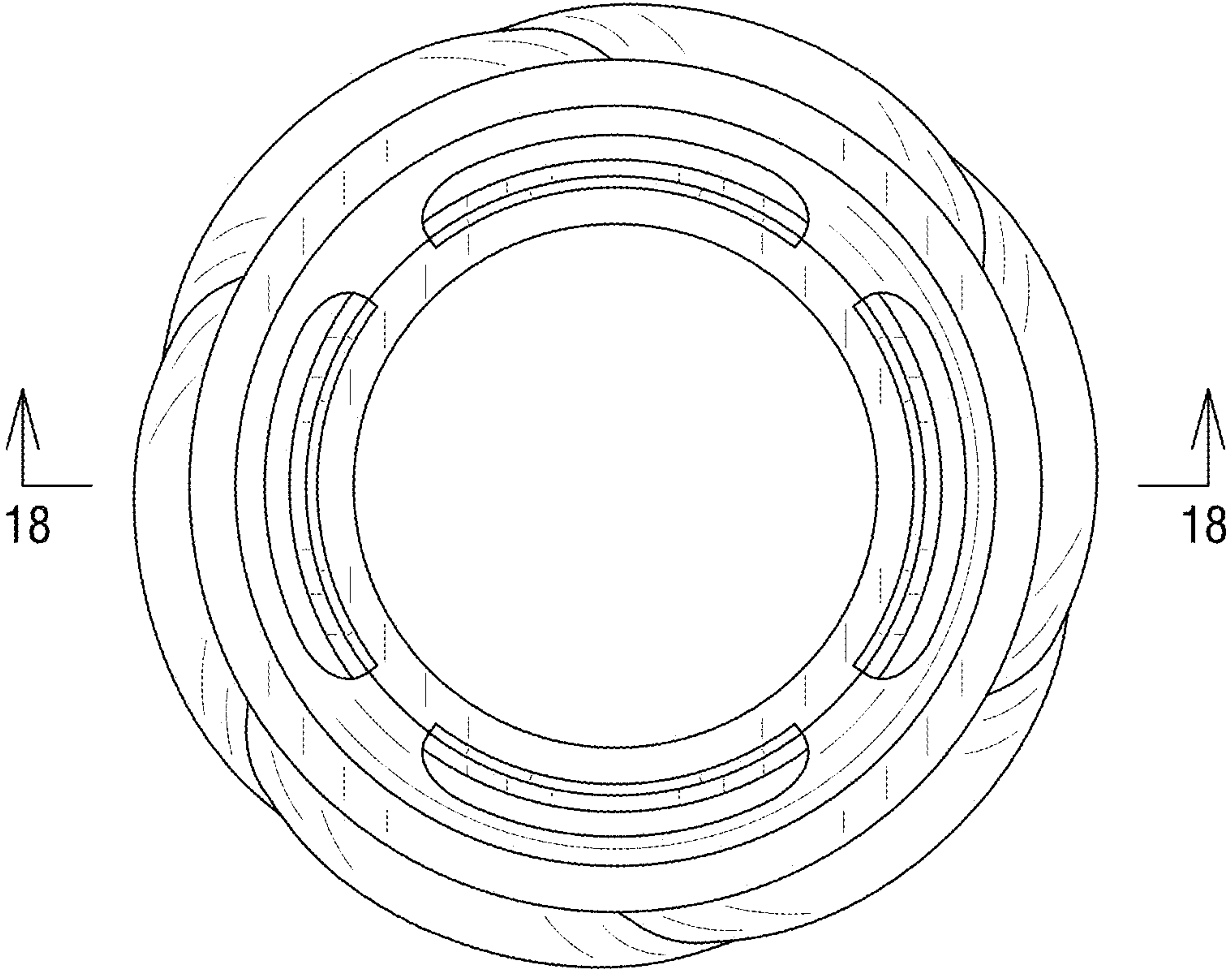


FIG.16

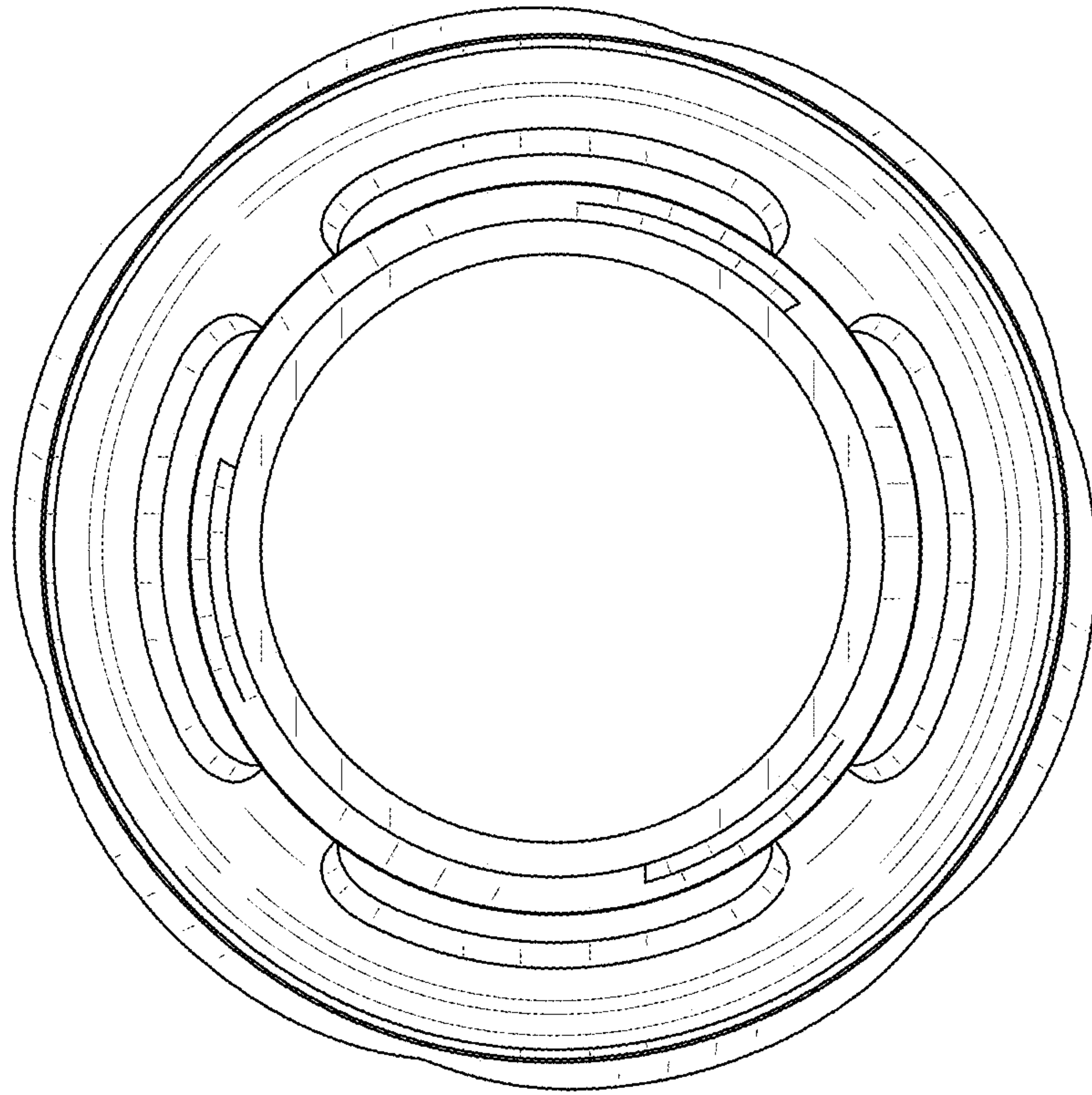


FIG.17

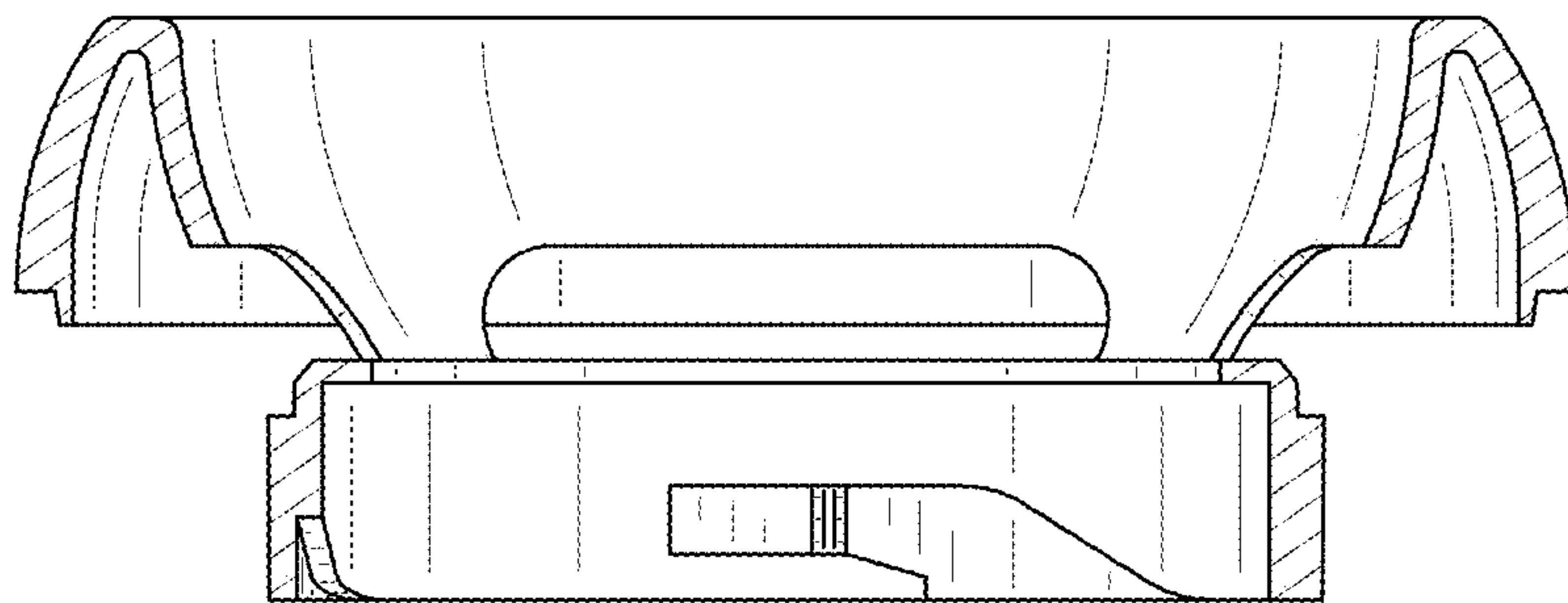


FIG.18

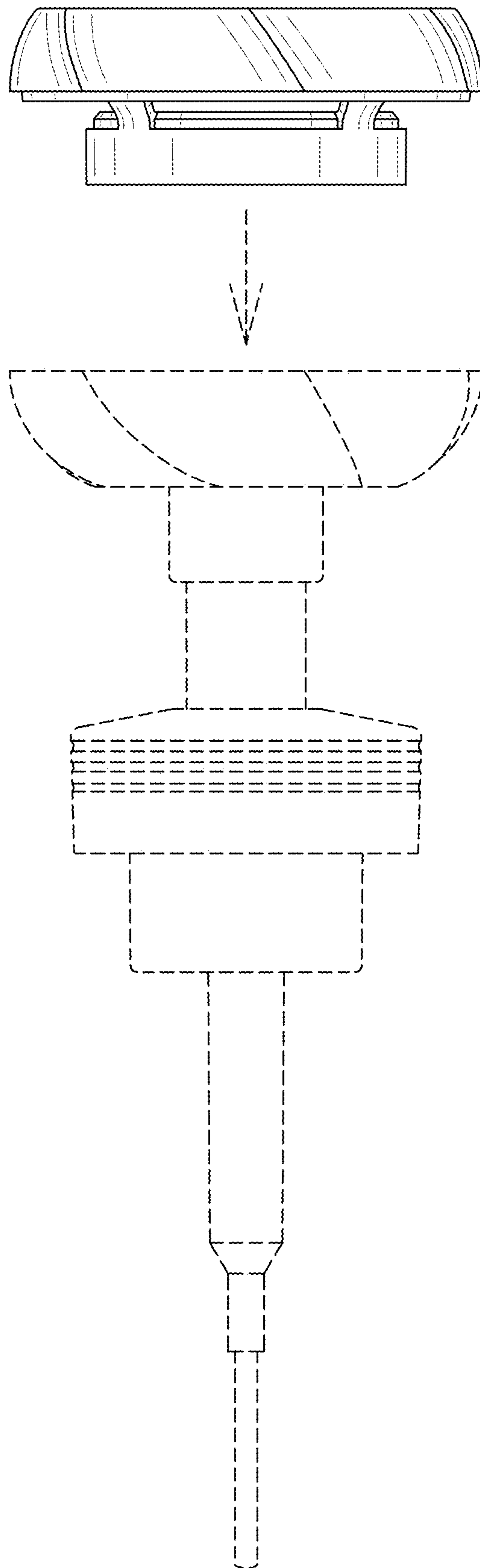


FIG.19

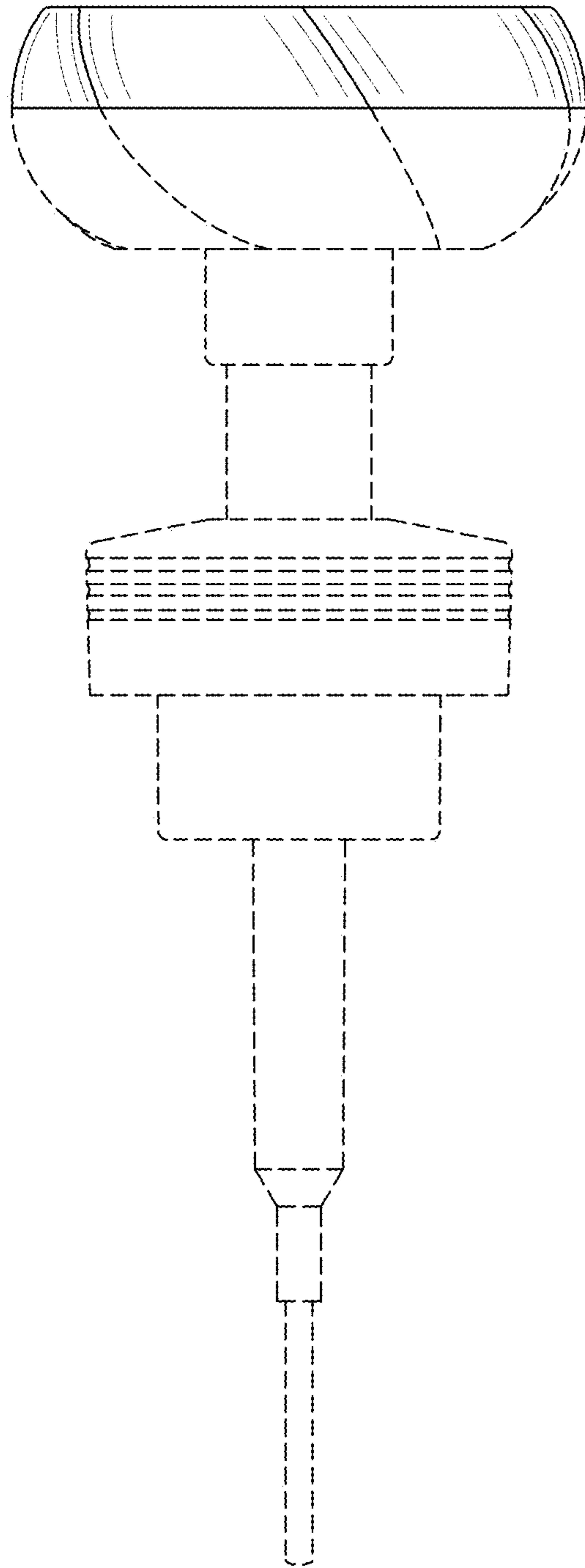


FIG.20