



US00D915196S

(12) **United States Design Patent** (10) **Patent No.:** **US D915,196 S**
Gaudiomonte et al. (45) **Date of Patent:** **** Apr. 6, 2021**

(54) **PACKAGE AND PACKAGING SHEET FOR FOODSTUFF**

(56) **References Cited**

U.S. PATENT DOCUMENTS

(71) Applicant: **TETRA LAVAL HOLDINGS & FINANCE S.A.**, Pully (CH)
(72) Inventors: **Giacomo Gaudiomonte**, Modena (IT); **Marcello Barbieri**, Modena (IT); **Daide Morciano**, Modena (IT); **Elisa Michelini**, Modena (IT); **Francesco Fontanazzi**, Modena (IT); **Alberto Mameli**, Modena (IT); **Carlo Forcellini**, Modena (IT)

D244,993 S * 7/1977 Drysdale D9/432
D394,385 S * 5/1998 Laughlin D9/431
D512,630 S * 12/2005 Tachikawa D9/415
D513,177 S * 12/2005 Tachikawa D9/432
D518,368 S * 4/2006 Tachikawa D9/415

(Continued)

Primary Examiner — Bao-Yen T Nguyen
(74) *Attorney, Agent, or Firm* — McAndrews, Held & Malloy, Ltd.

(73) Assignee: **TETRA LAVAL HOLDINGS & FINANCE S.A.**, Pully (CH)

(57) **CLAIM**

The ornamental design for package and packaging sheet for foodstuff, as shown and described.

(**) Term: **15 Years**

(21) Appl. No.: **35/506,937**

DESCRIPTION

(22) Filed: **Dec. 14, 2018**

(80) **Hague Agreement Data**

Int. Filing Date: **Dec. 14, 2018**
Int. Reg. No.: **DM/201464**
Int. Reg. Date: **Dec. 14, 2018**
Int. Reg. Pub. Date: **Jun. 21, 2019**

(30) **Foreign Application Priority Data**

Jun. 14, 2018 (EM) 005311016

(51) **LOC (13) Cl.** **09-03**

(52) **U.S. Cl.**
USPC **D9/433**

(58) **Field of Classification Search**

USPC D9/414, 415, 417, 418, 420-427, D9/430-434, 634

CPC B65D 5/00; B65D 5/0209; B65D 5/029; B65D 5/40; B65D 5/72; B65D 5/727

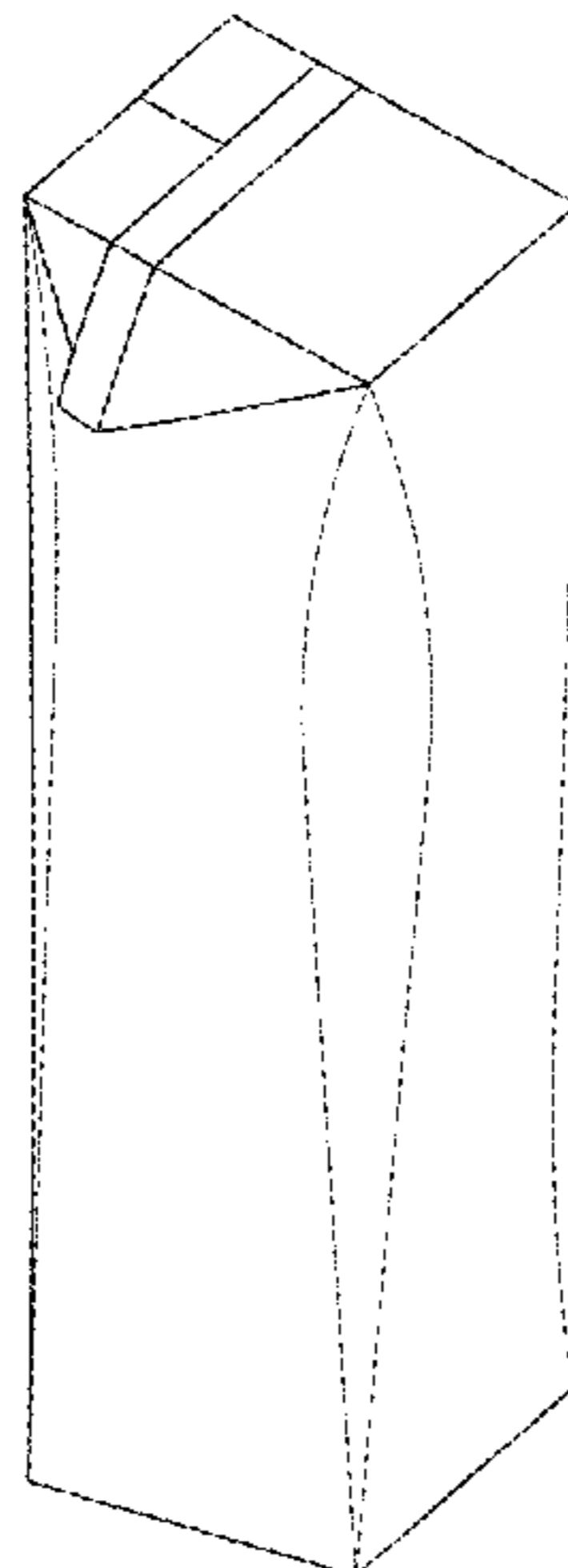
See application file for complete search history.

- 11. Package for foodstuff
- 12. Packaging sheet for foodstuff
- 11.1 : Front perspective view
- 11.2 : Front view
- 11.3 : Rear view
- 11.4 : First side view
- 11.5 : Second side view
- 11.6 : Top view
- 11.7 : Bottom view
- 12.1 : Front perspective view
- 12.2 : Front view
- 12.3 : Rear view
- 12.4 : First side view
- 12.5 : Second side view
- 12.6 : Top view
- 12.7 : Bottom view

The broken lines in the drawings illustrate portions of the package and packaging sheet for foodstuff that form no part of the claimed design.

The packaging sheet for foodstuff illustrated 12.1-12.7 in corresponds directly to the package for foodstuff illustrated

(Continued)



in reproductions 11.1-11.7. The packaging sheet for foodstuff illustrates the corresponding package for foodstuff in collapsed form.

1 Claim, 14 Drawing Sheets

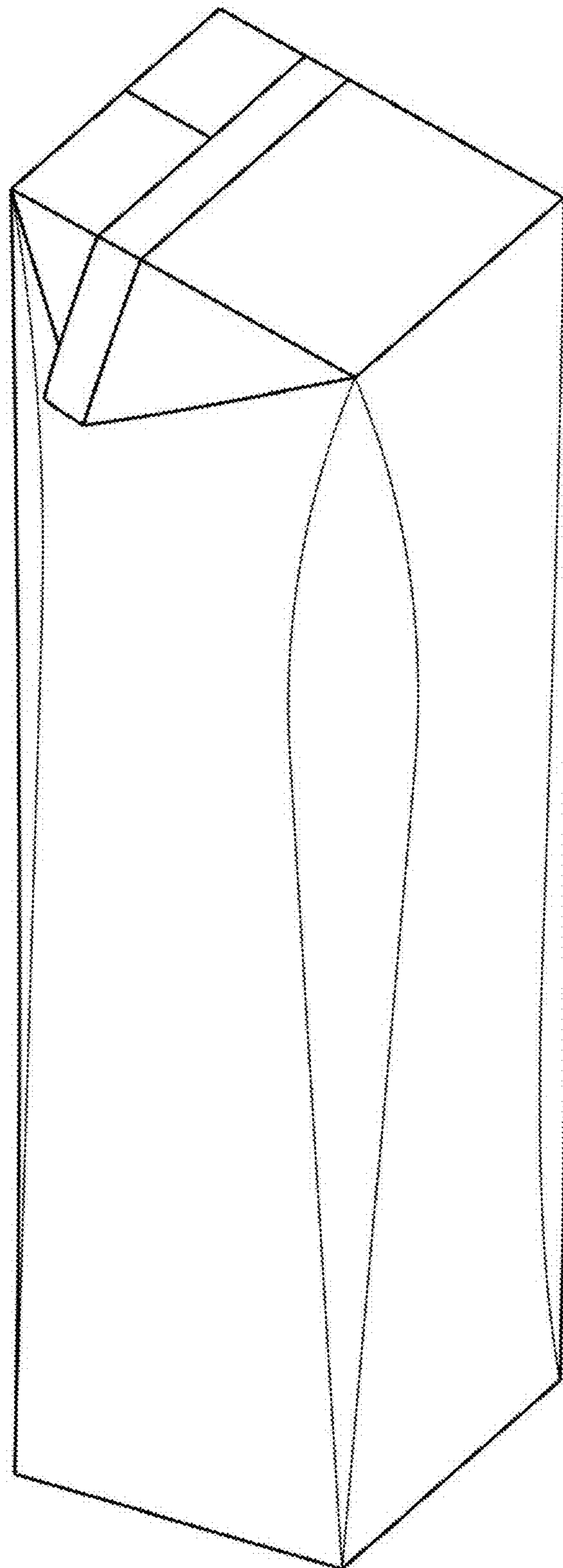
(56) **References Cited**

U.S. PATENT DOCUMENTS

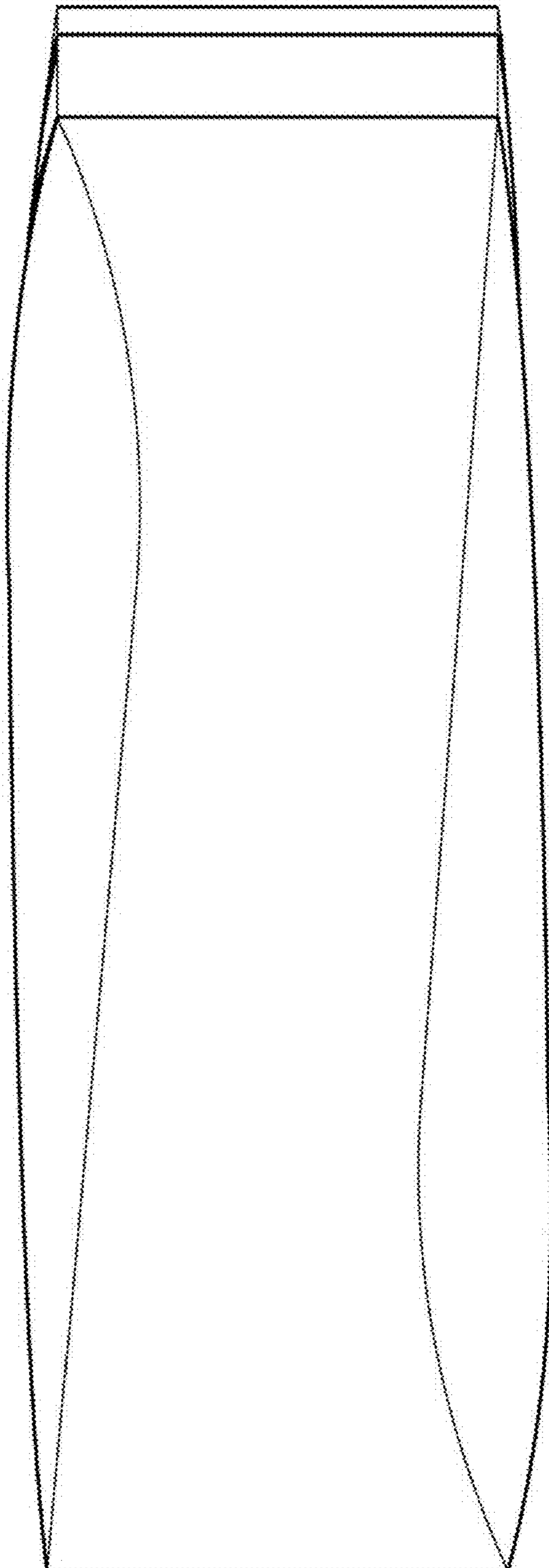
D578,389 S *	10/2008	Kalberer	D9/432
D589,791 S *	4/2009	Kalberer	D9/432
D596,027 S *	7/2009	Kalberer	D9/432
D636,680 S *	4/2011	Cocchioni	D9/432
D640,140 S *	6/2011	Zhang	D9/432
D646,565 S *	10/2011	Ren	D9/434
D646,582 S *	10/2011	Ren	D9/432
D650,693 S *	12/2011	Miller	D9/432
D651,917 S *	1/2012	Ren	D9/432
D652,316 S *	1/2012	Ren	D9/432
D657,239 S *	4/2012	Gavrilencov	D9/432
D676,742 S *	2/2013	Walter	D9/434
D694,105 S *	11/2013	Zamudio Rodriguez	D9/432
D728,364 S *	5/2015	Baker	D9/432
2008/0223912 A1 *	9/2008	Ayats Ardite	B65D 5/56 229/141
2011/0113733 A1 *	5/2011	Franic	B65D 5/029 53/452

* cited by examiner

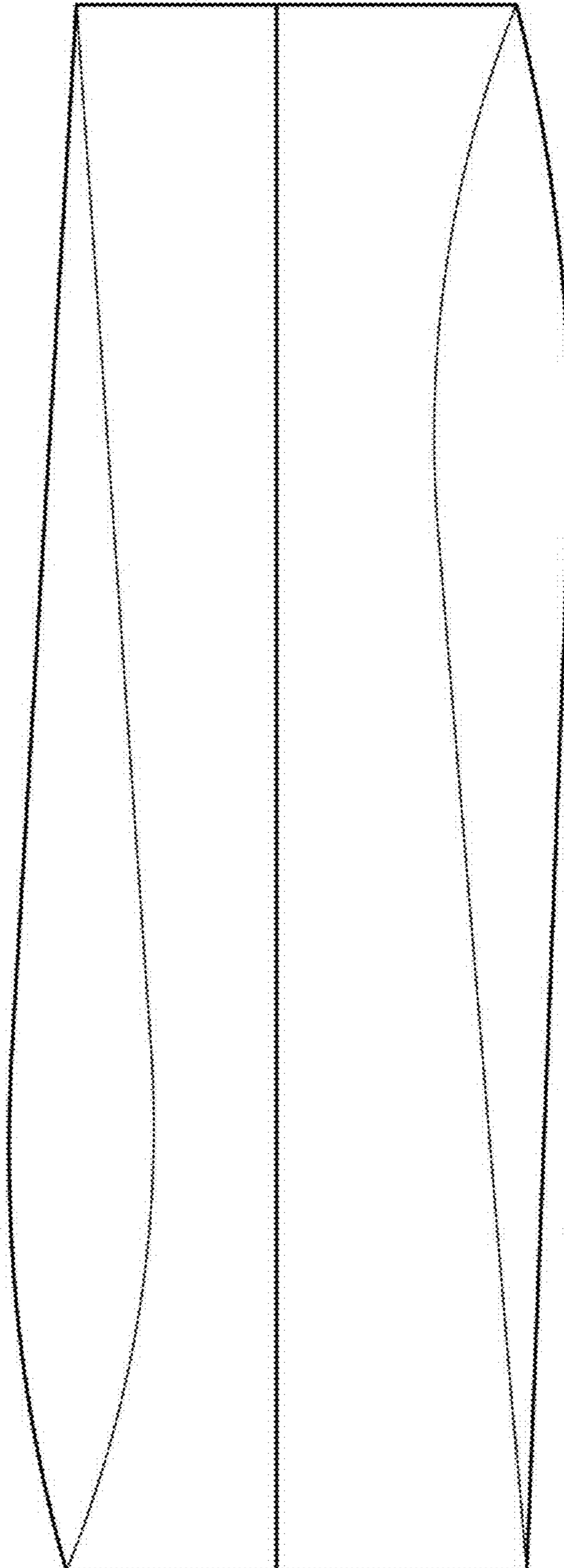
11.1



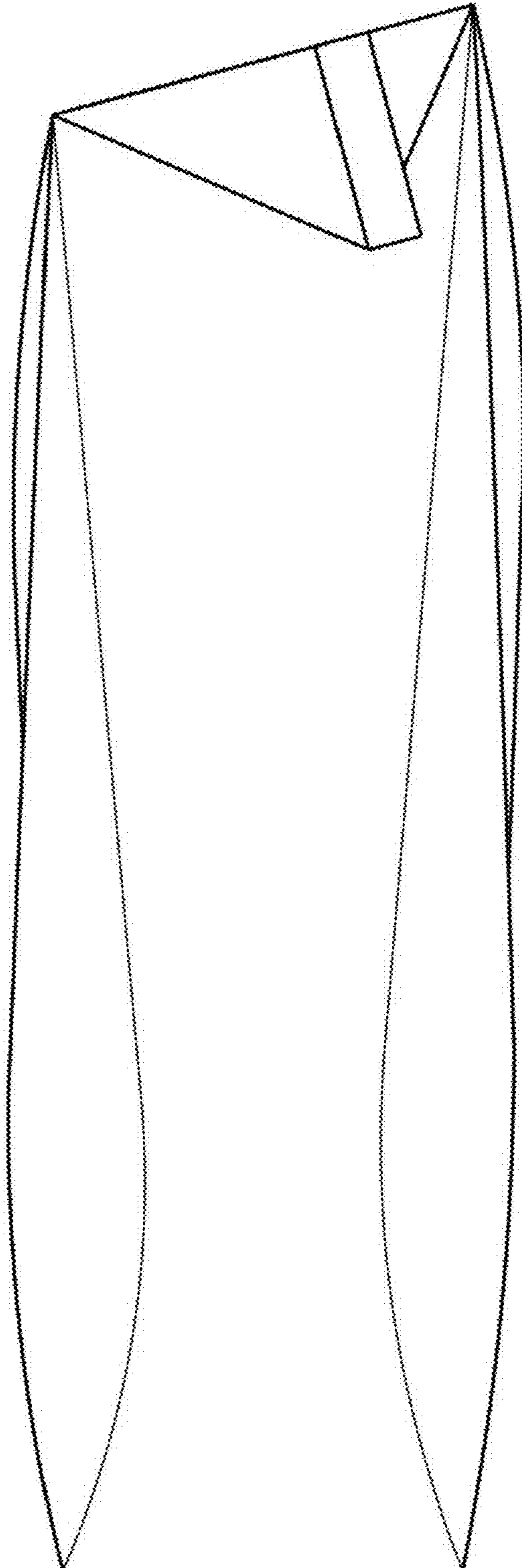
11.2



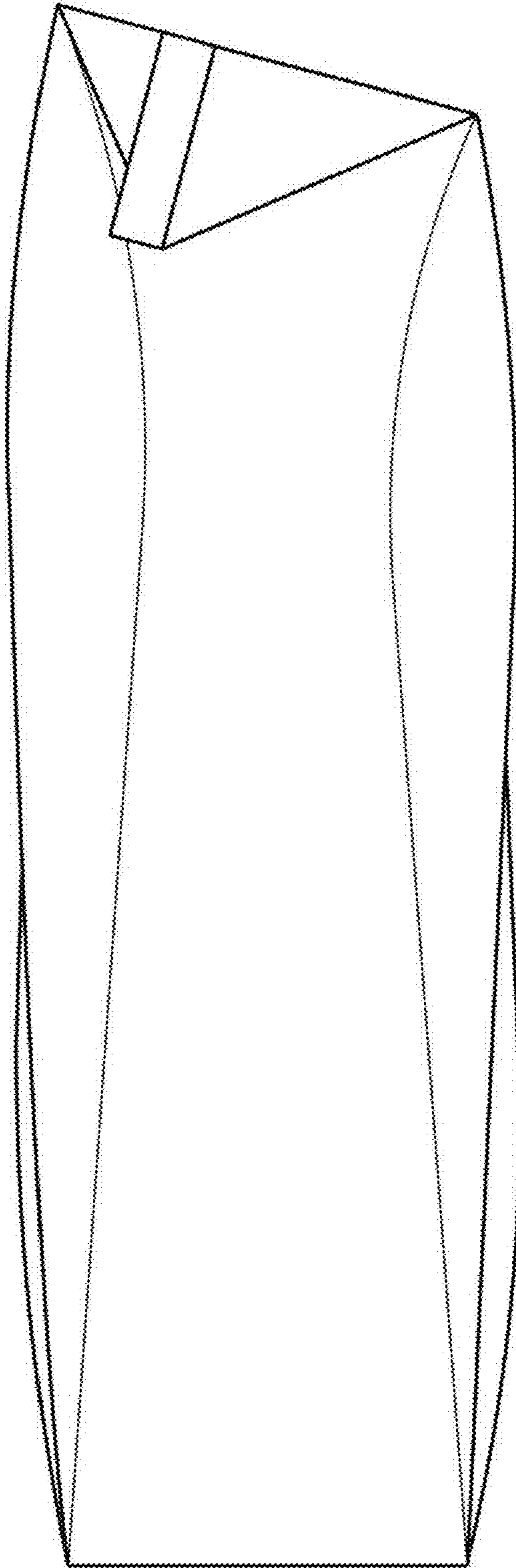
11.3



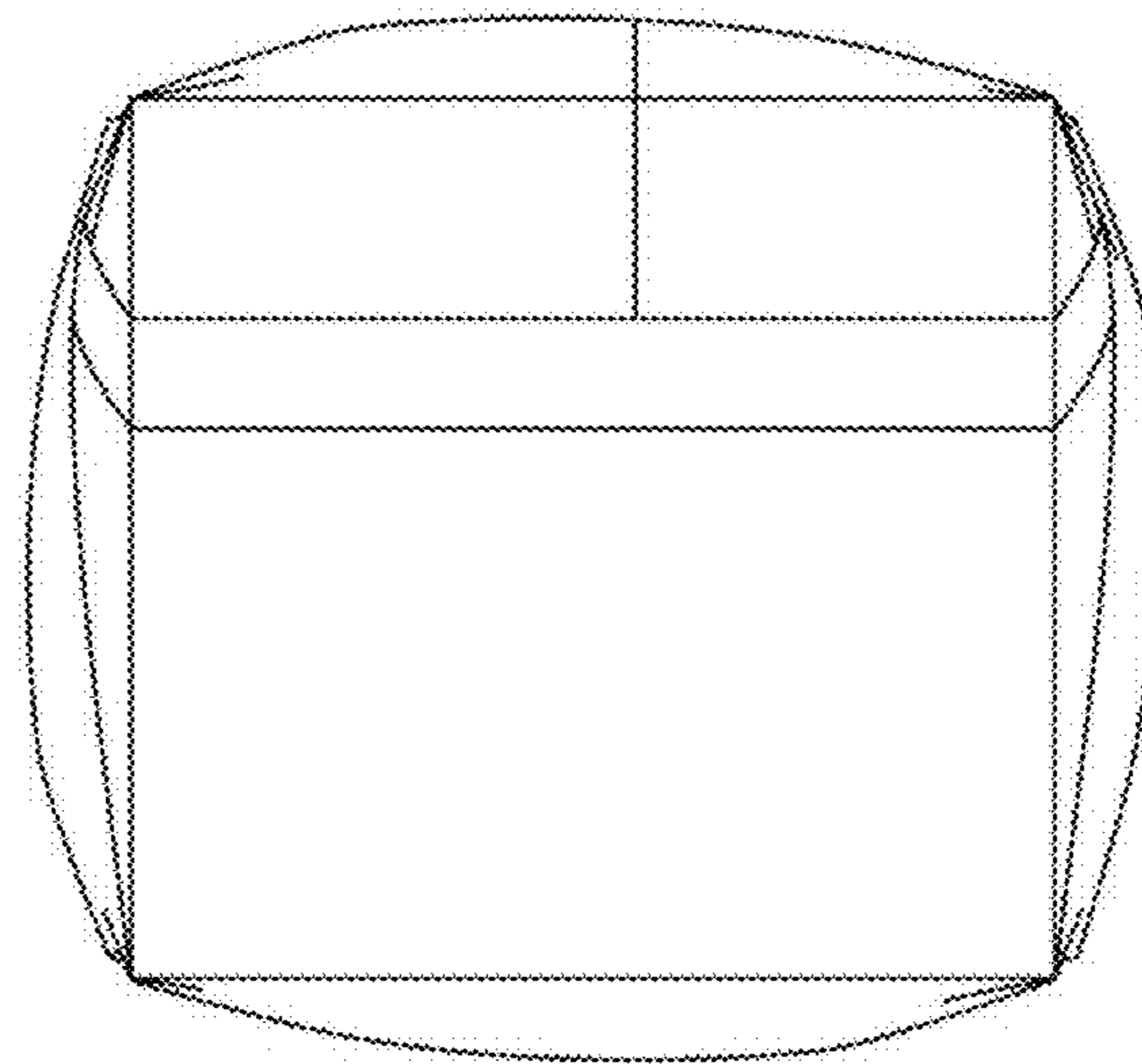
11.4



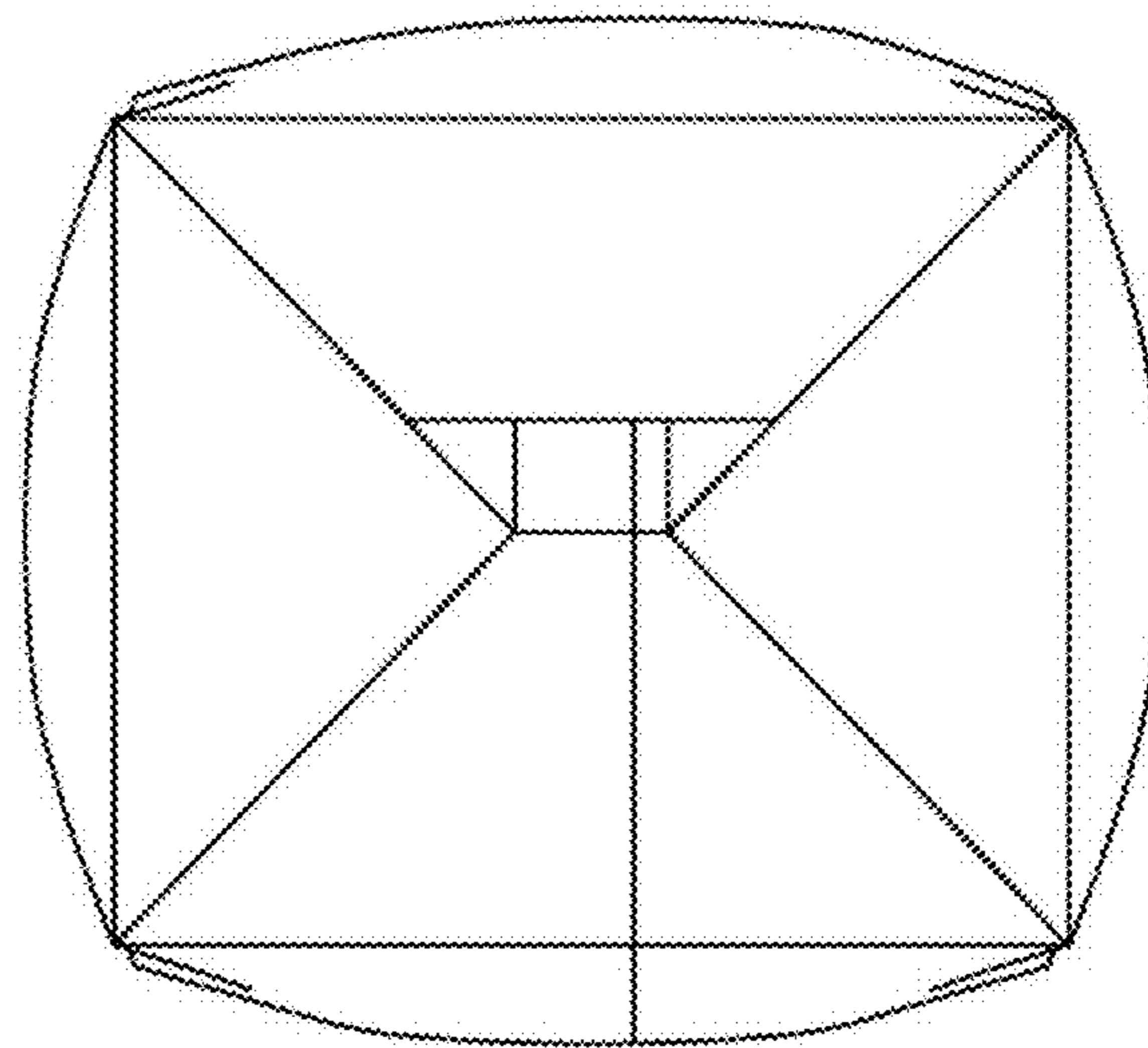
11.5



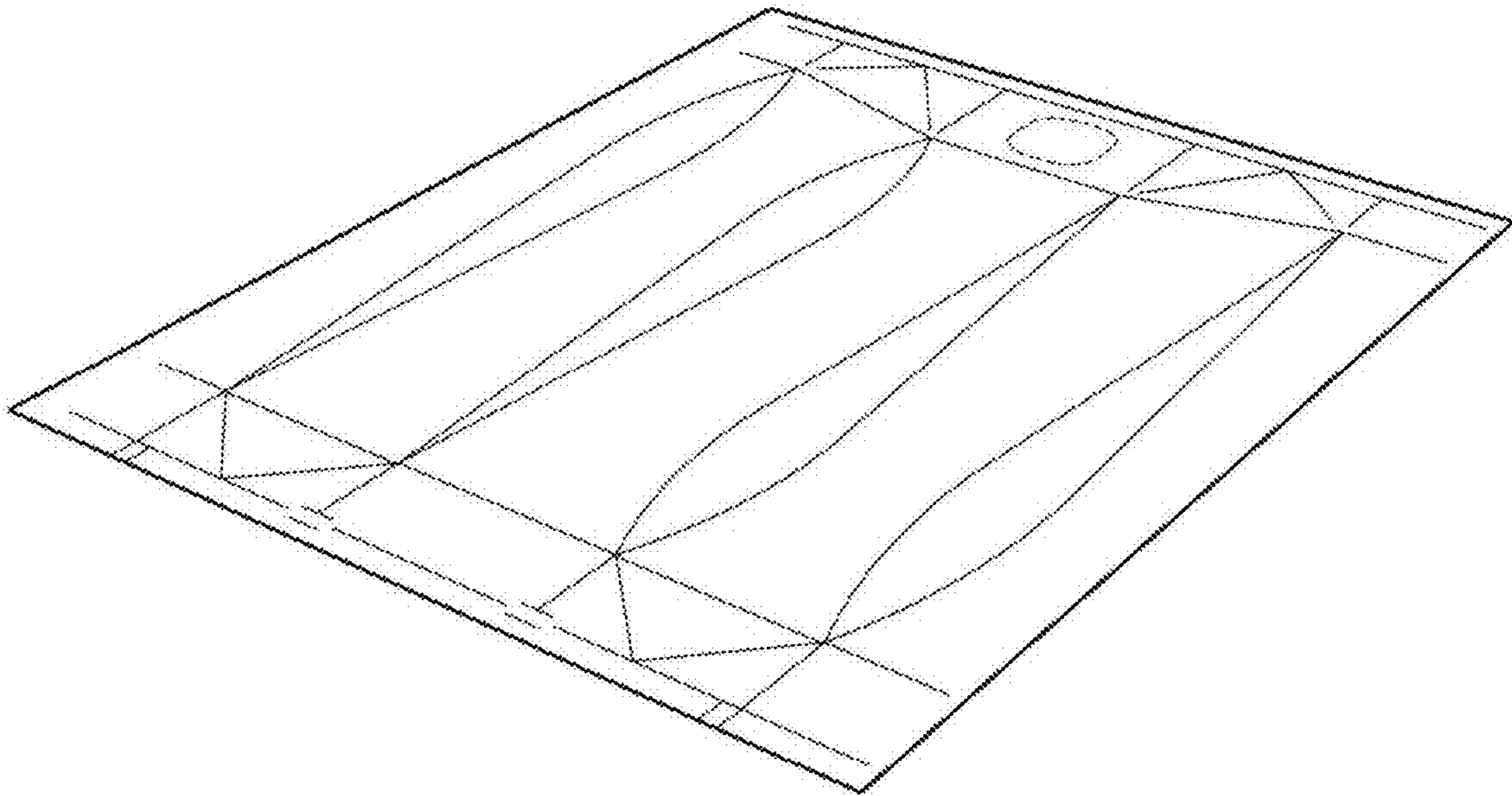
11.6



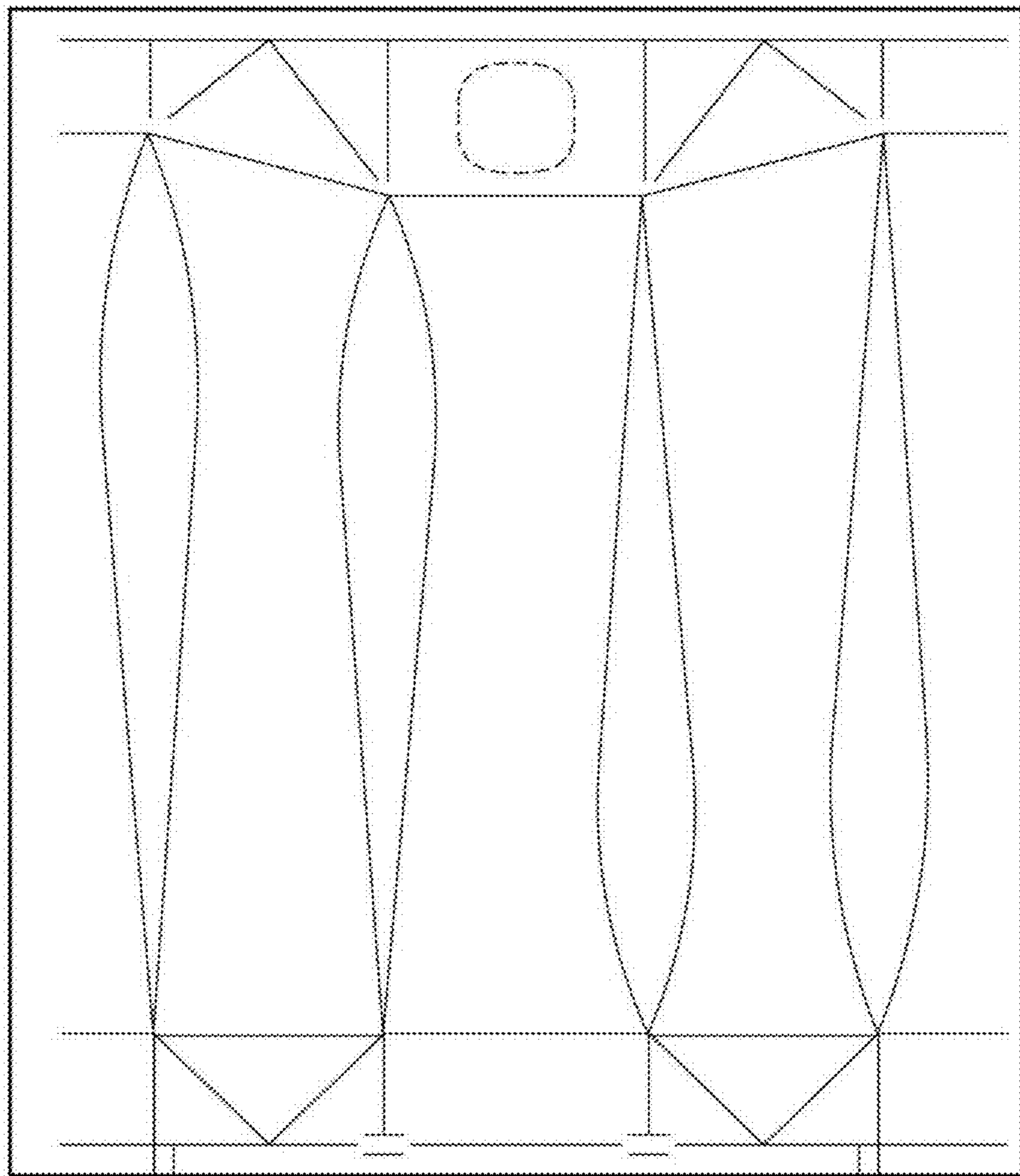
11.7



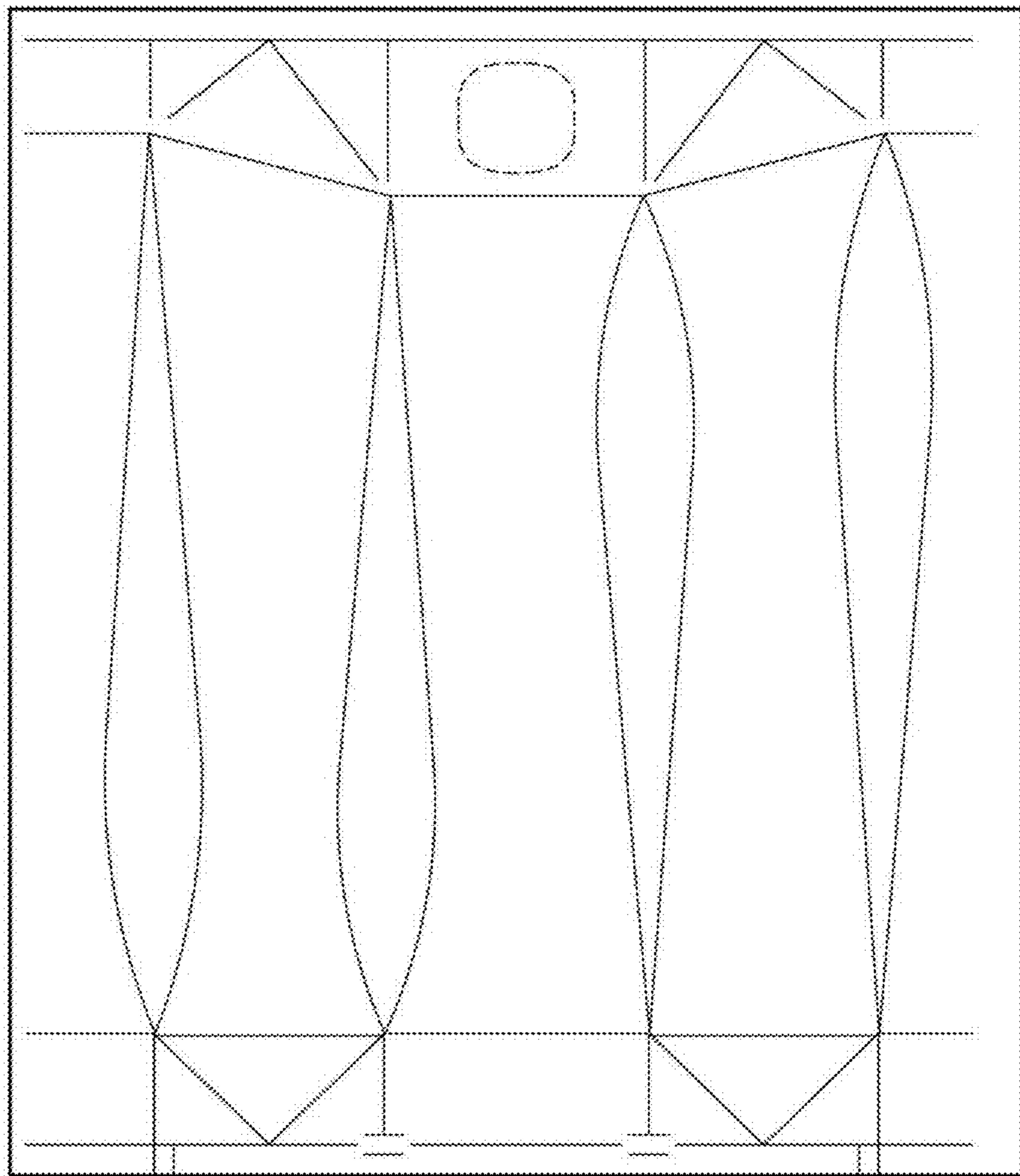
12.1



12.2



12.3



12.4



12.5



12.6



12.7

