



US00D915194S

(12) **United States Design Patent** (10) **Patent No.:** **US D915,194 S**
Evelich et al. (45) **Date of Patent:** **** Apr. 6, 2021**

- (54) **PACKAGING CONTAINER**
- (71) Applicant: **Blue Buffalo Enterprises, Inc.**, Wilton, CT (US)
- (72) Inventors: **Sean Evelich**, Rocky Hill, CT (US);
Nicole Kandoth, Nyack, NY (US);
Trond Erik Tollefsen, London (GB)
- (73) Assignee: **Blue Buffalo Enterprises, Inc.**, Wilton, CT (US)
- (**) Term: **15 Years**
- (21) Appl. No.: **29/706,144**
- (22) Filed: **Sep. 18, 2019**
- (51) **LOC (13) Cl.** **09-03**
- (52) **U.S. Cl.**
USPC **D9/431; D9/424**
- (58) **Field of Classification Search**
USPC D9/414, 415, 418, 424, 430-432, 737,
D9/761; D7/601, 602
CPC B65D 5/2042; B65D 2543/00296; B65D
5/2028; B65D 75/22; B65D 81/3453;
B65D 2581/344; B65D 5/2038; B65D
5/4204; B65D 15/08
See application file for complete search history.

- D499,769 S * 12/2004 Martin D20/42
- D519,833 S * 5/2006 Katsuyama D9/431
- D553,492 S * 10/2007 Rokov D9/415
- D575,149 S * 8/2008 Baranowski D9/432
- D617,185 S * 6/2010 Wager D9/431
- 8,215,085 B2 * 7/2012 Phung B65D 5/4204
53/95

(Continued)

Primary Examiner — Lauren R Calve
(74) *Attorney, Agent, or Firm* — Diederiks & Whitelaw, PLC; Annette M. Frawley, Esq.

(57) **CLAIM**

The ornamental design for a packaging container, as shown and described.

DESCRIPTION

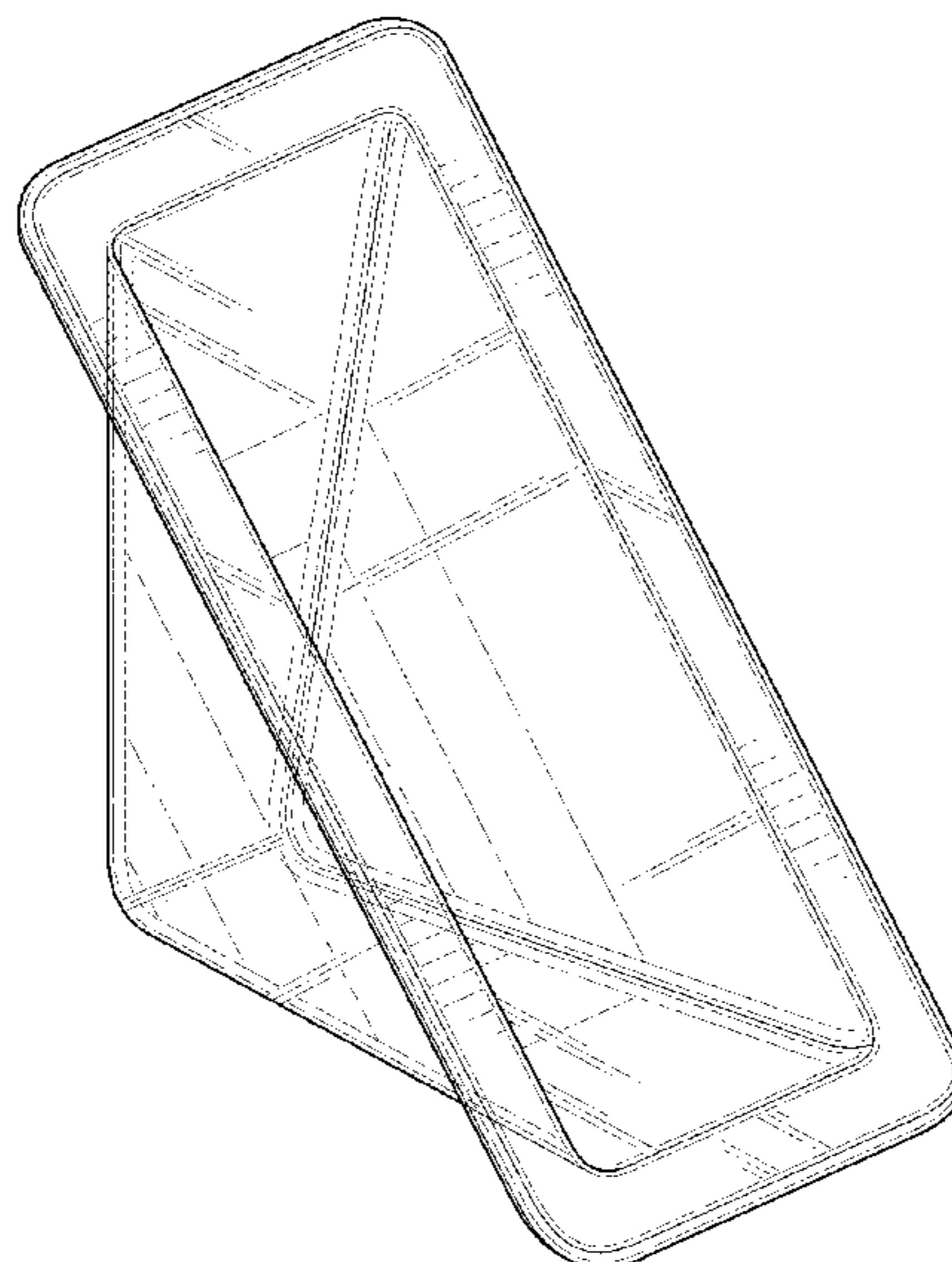
FIG. 1 is an upper perspective view of a packaging container according to our new design;
 FIG. 2 is a second upper perspective view of FIG. 1 shown with a lid with an attached rectangular spoon for illustrative purposes only;
 FIG. 3 is a third upper perspective view of FIG. 1 shown with a lid partially peeled away as well as another container with a lid with an attached rectangular spoon for illustrative purposes only;
 FIG. 4 is a fourth upper perspective view of FIG. 1 shown with another container arranged in another configuration for illustrative purposes only;
 FIG. 5 is a front elevational view of FIG. 1;
 FIG. 6 is a rear elevational view of FIG. 1;
 FIG. 7 is a left elevational view of FIG. 1;
 FIG. 8 is a right elevational view of FIG. 1;
 FIG. 9 is a top plan view of FIG. 1; and,
 FIG. 10 is a bottom plan view of FIG. 1.
 In FIGS. 2-4, broken lines are used to disclose environment structures related to the claimed design for illustrative purposes and form no part of the claimed design.

1 Claim, 7 Drawing Sheets

(56) **References Cited**

U.S. PATENT DOCUMENTS

- 3,410,698 A * 11/1968 Sosin B65D 1/34
426/106
- 4,301,926 A * 11/1981 Chung B65D 77/2052
229/103.1
- 4,798,324 A * 1/1989 Gannon B65D 75/58
229/125.35
- D388,324 S * 12/1997 Bonnard D9/424
- D425,789 S * 5/2000 Au D9/422
- D434,315 S * 11/2000 Clarke D9/415
- 6,149,006 A * 11/2000 Brauner B65D 1/22
206/232



(56)

References Cited

U.S. PATENT DOCUMENTS

8,215,485 B2 *	7/2012	Maroofian	B65D 75/24 206/445
D705,055 S *	5/2014	Donaldson	D9/434
D815,954 S *	4/2018	Choi	D9/643
10,604,328 B2 *	3/2020	Barton	B29C 51/36
2004/0134810 A1 *	7/2004	Money	B65D 5/2042 206/312

* cited by examiner

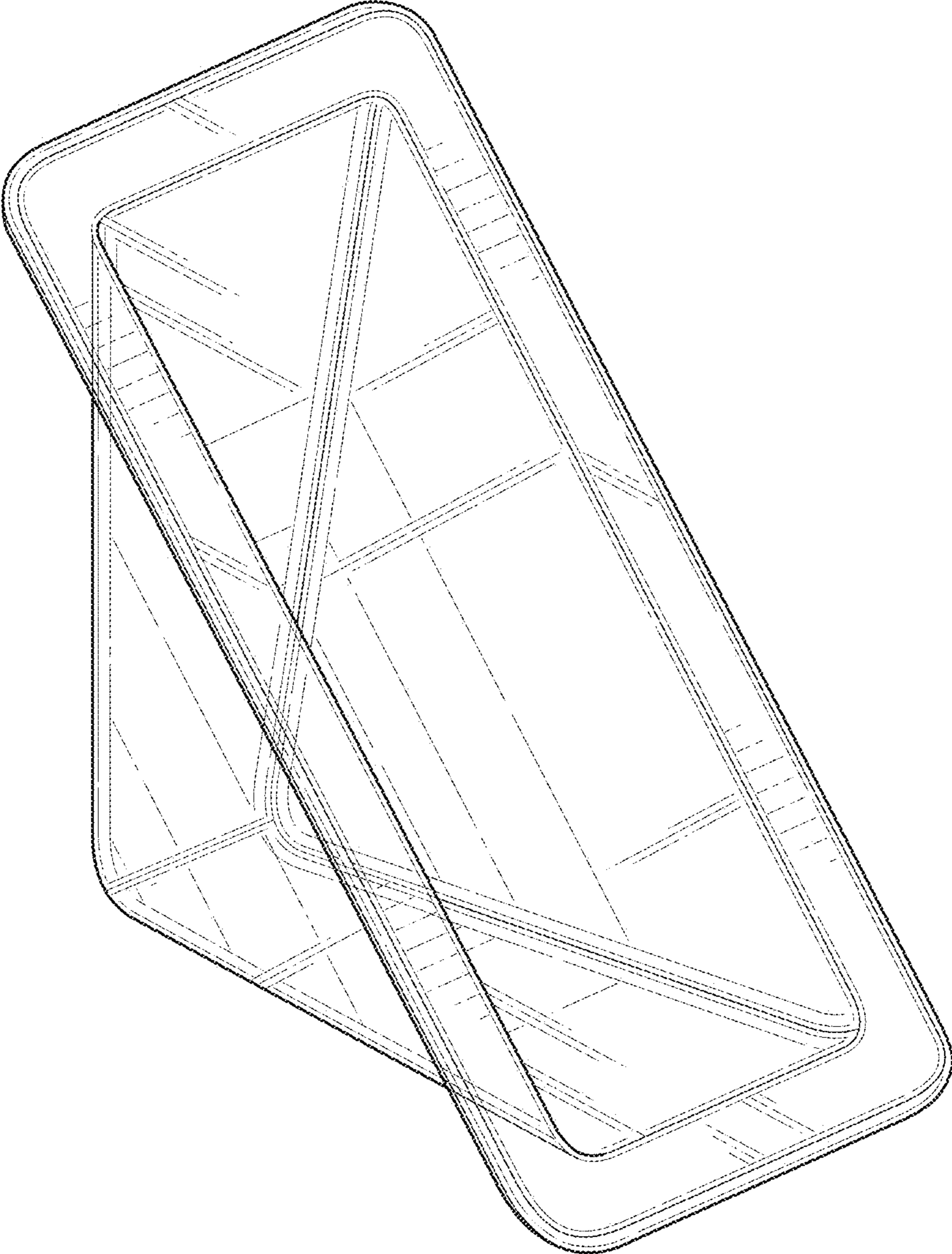


FIG. 1

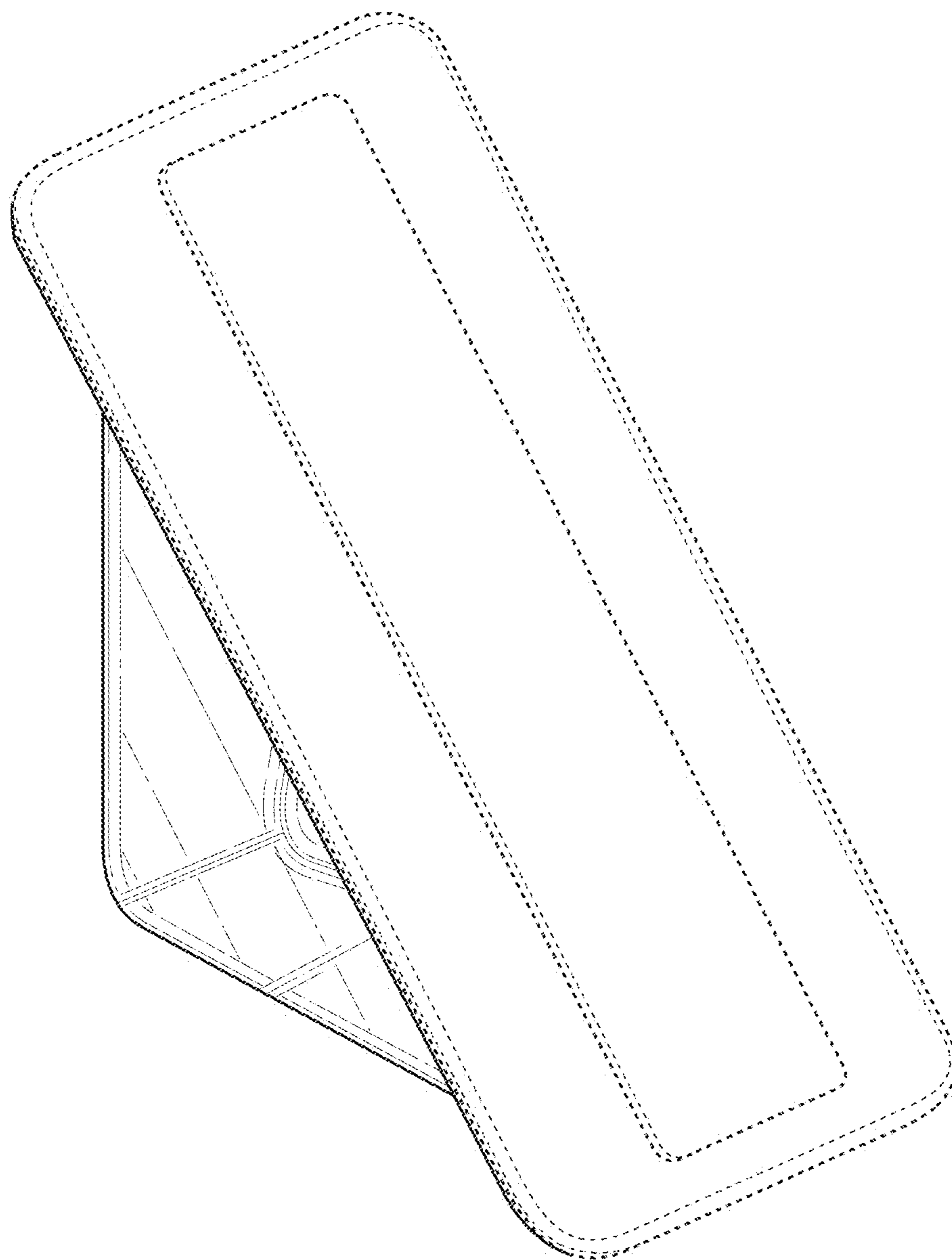


FIG. 2

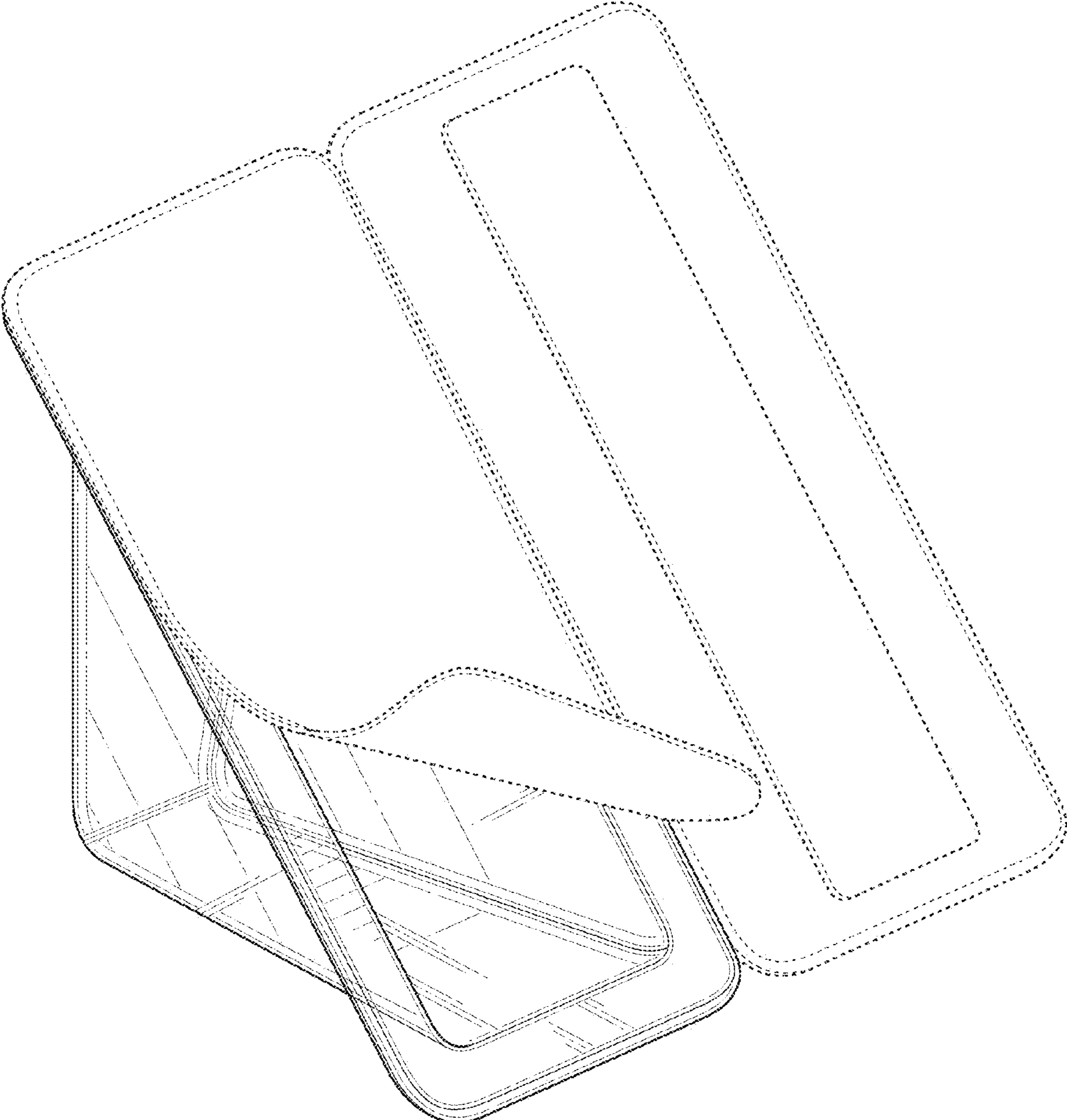


FIG. 3

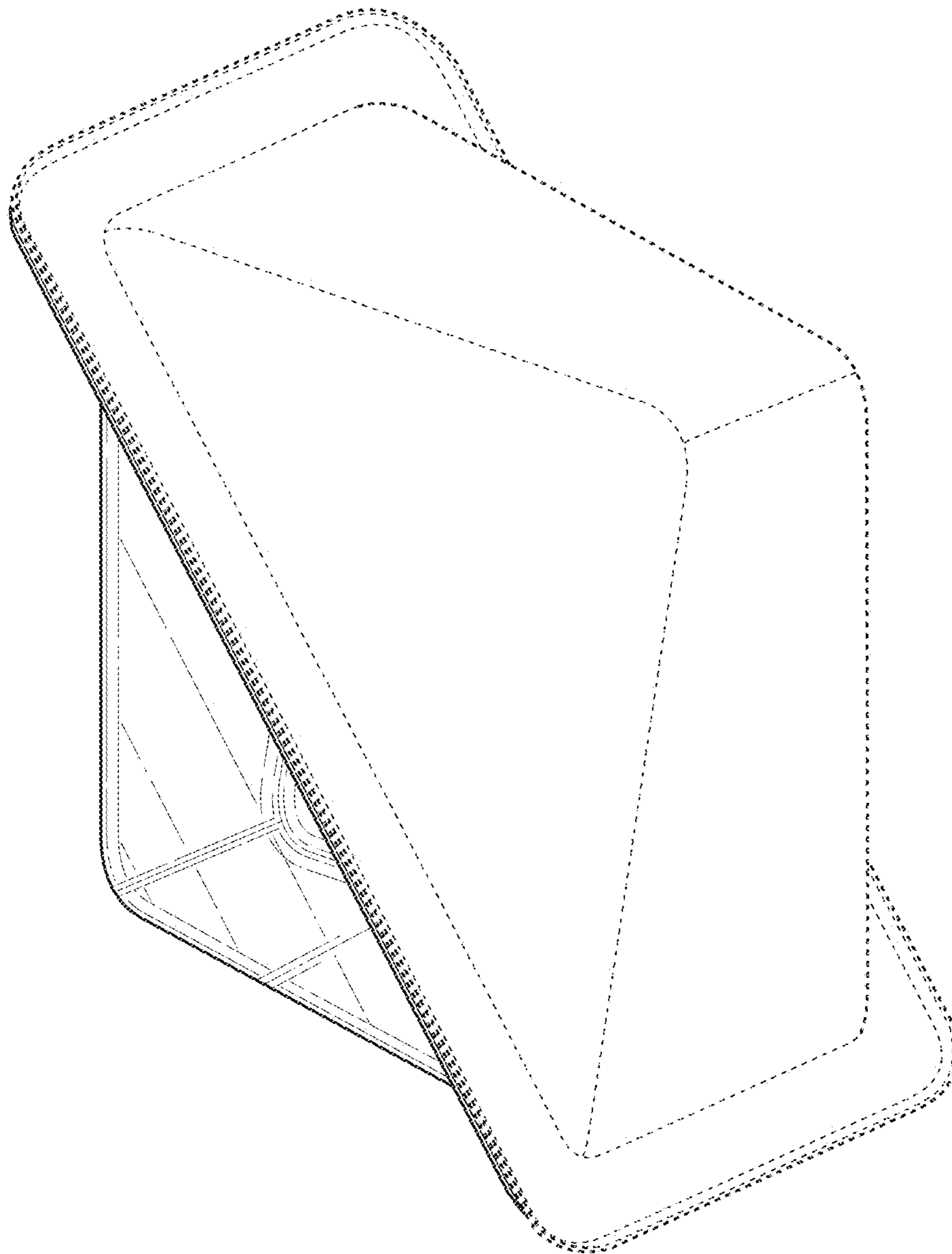


FIG. 4

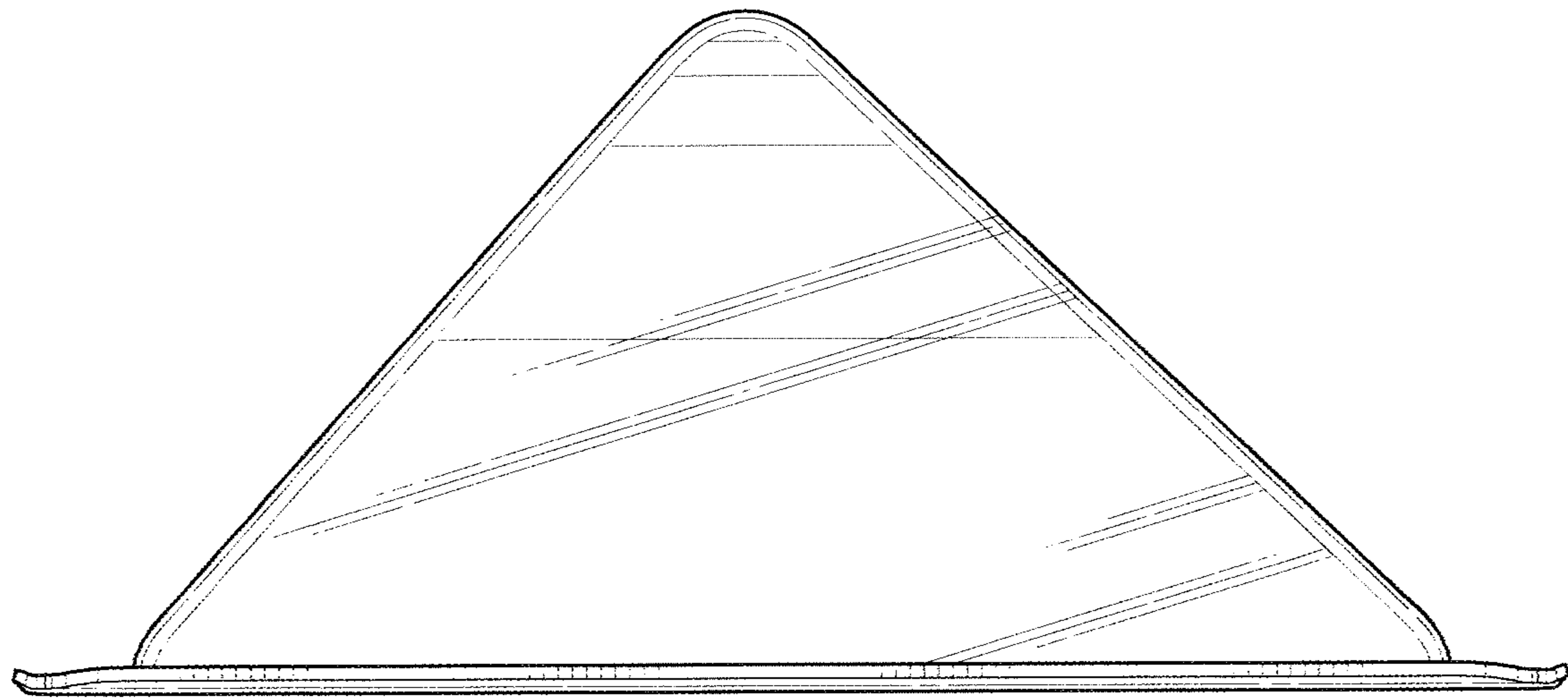


FIG. 5

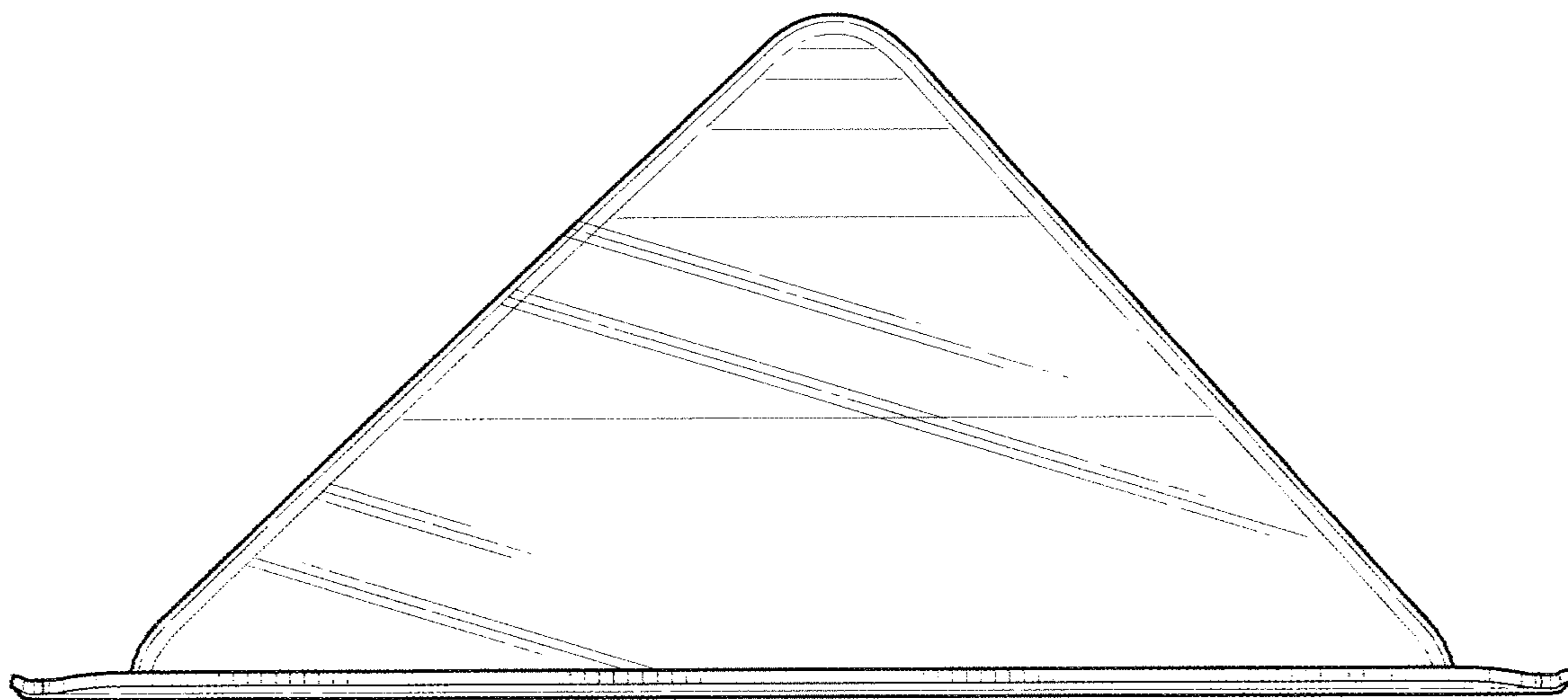


FIG. 6

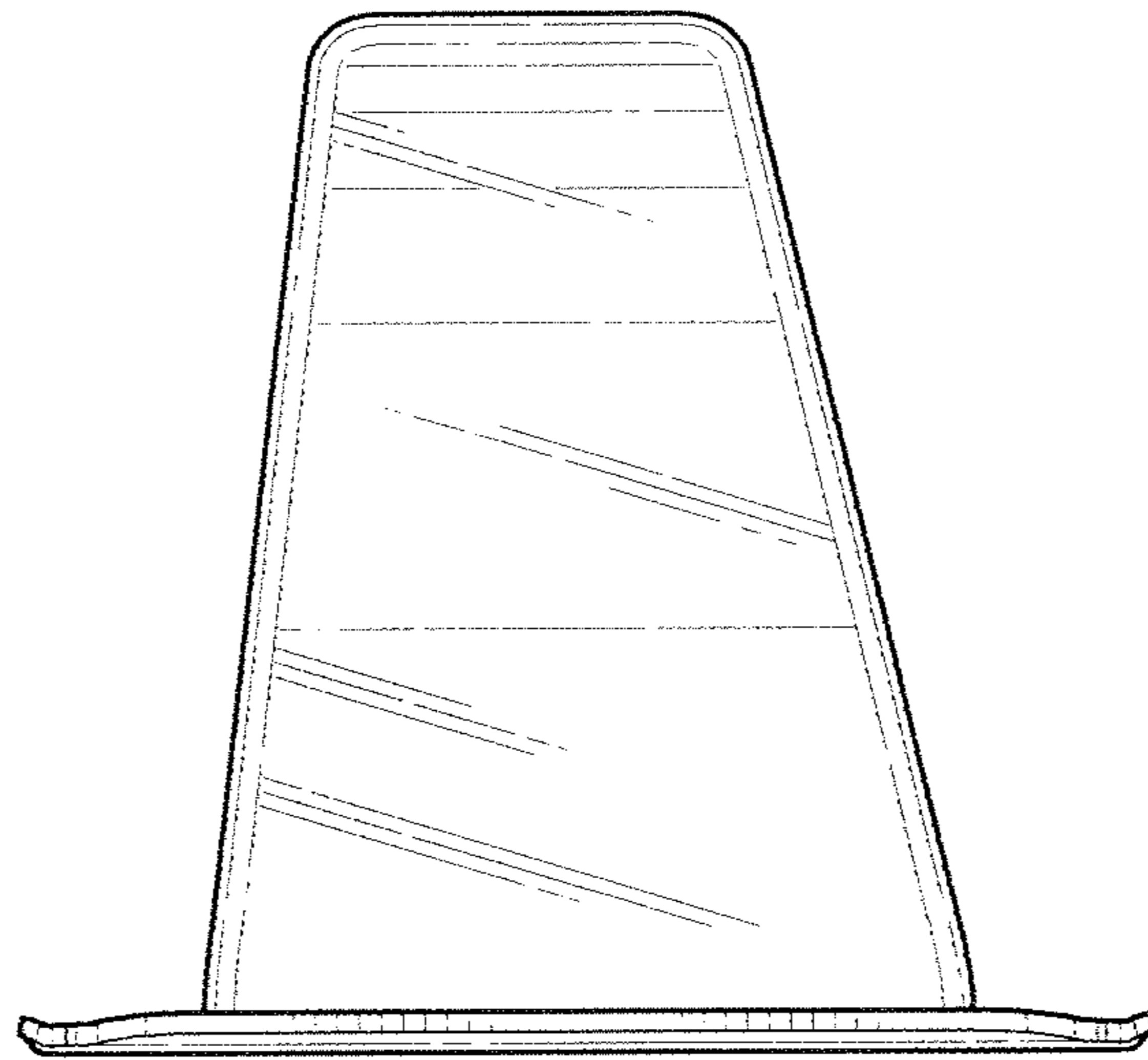


FIG. 7

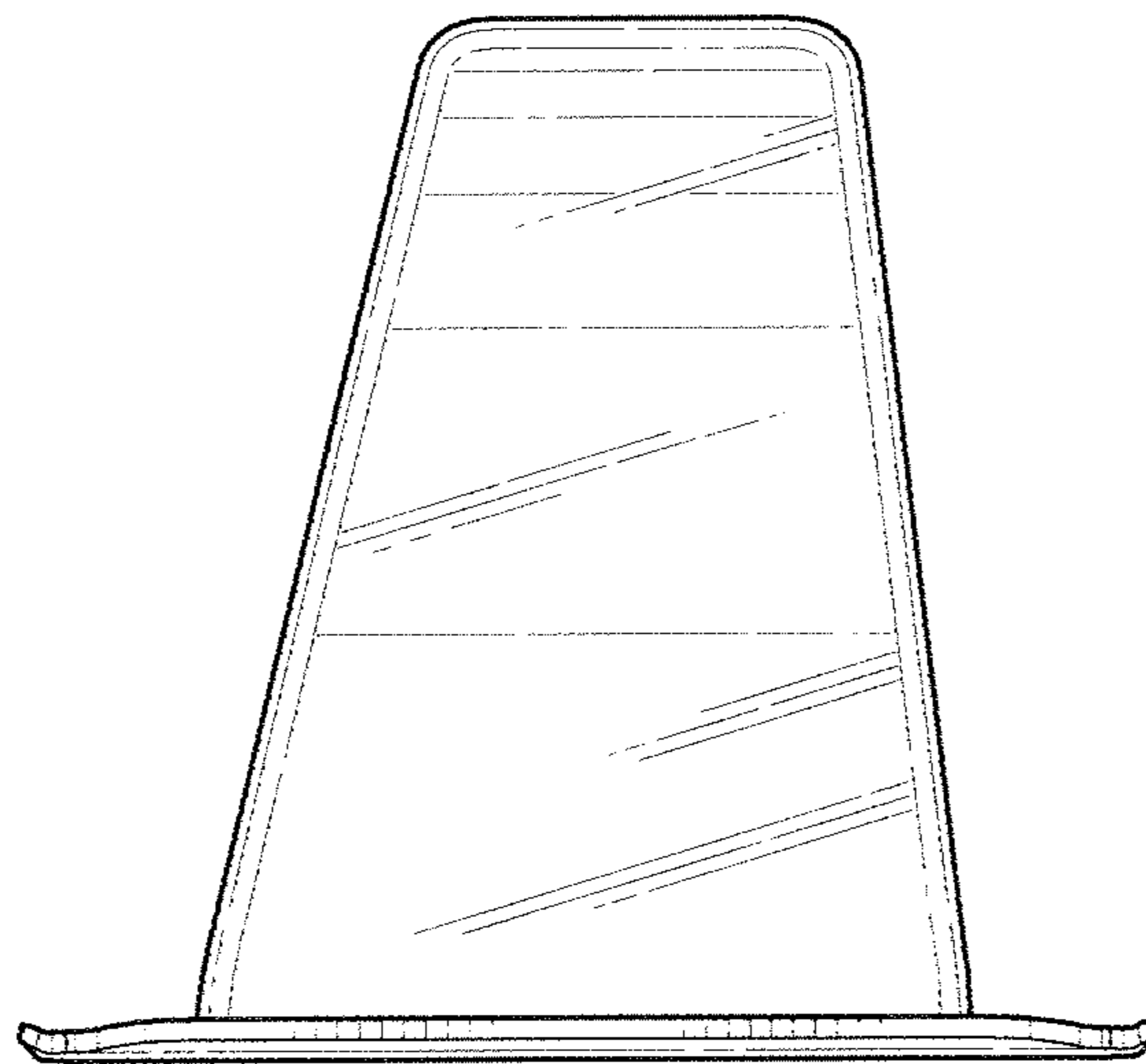


FIG. 8

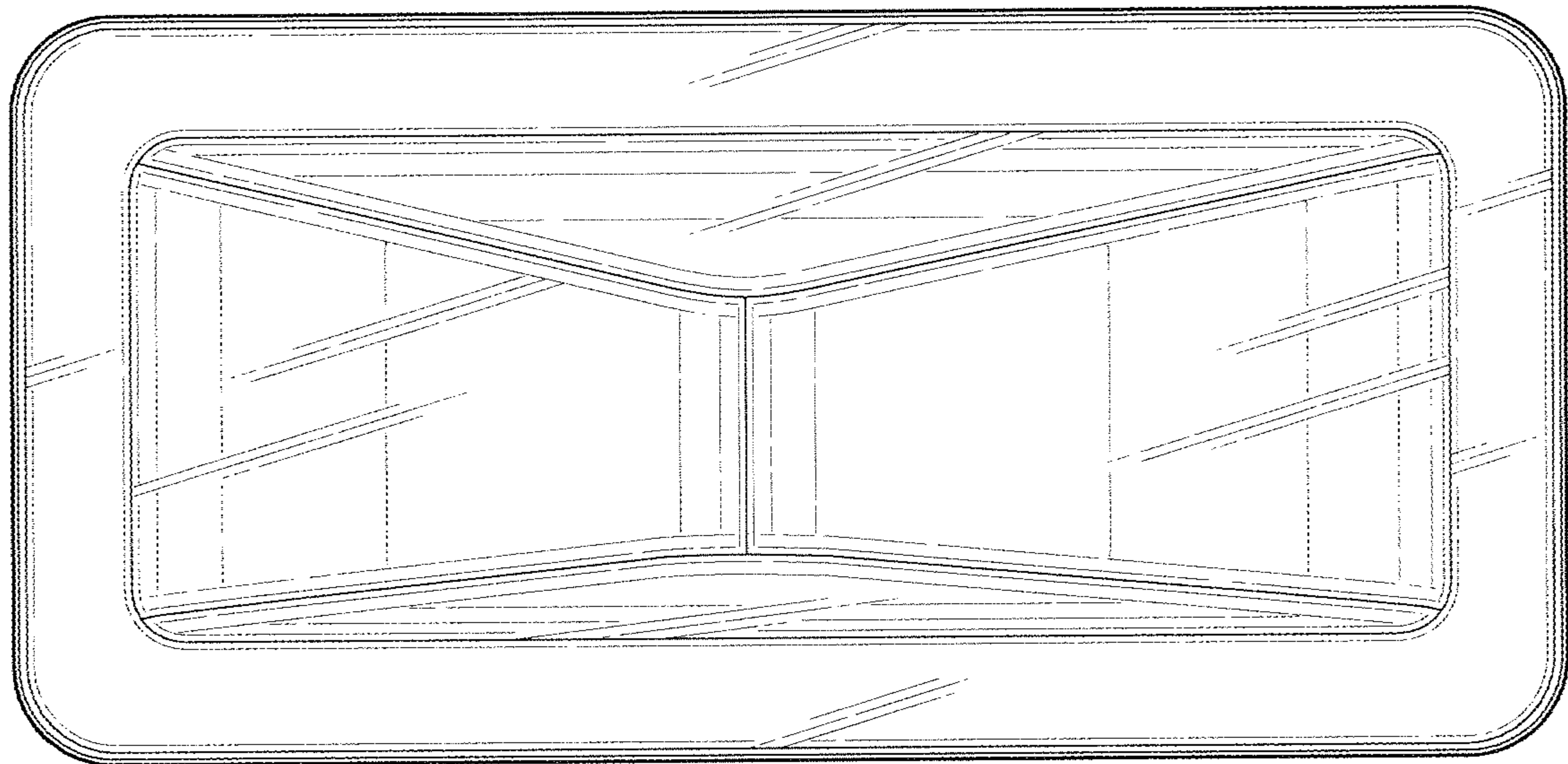


FIG. 9

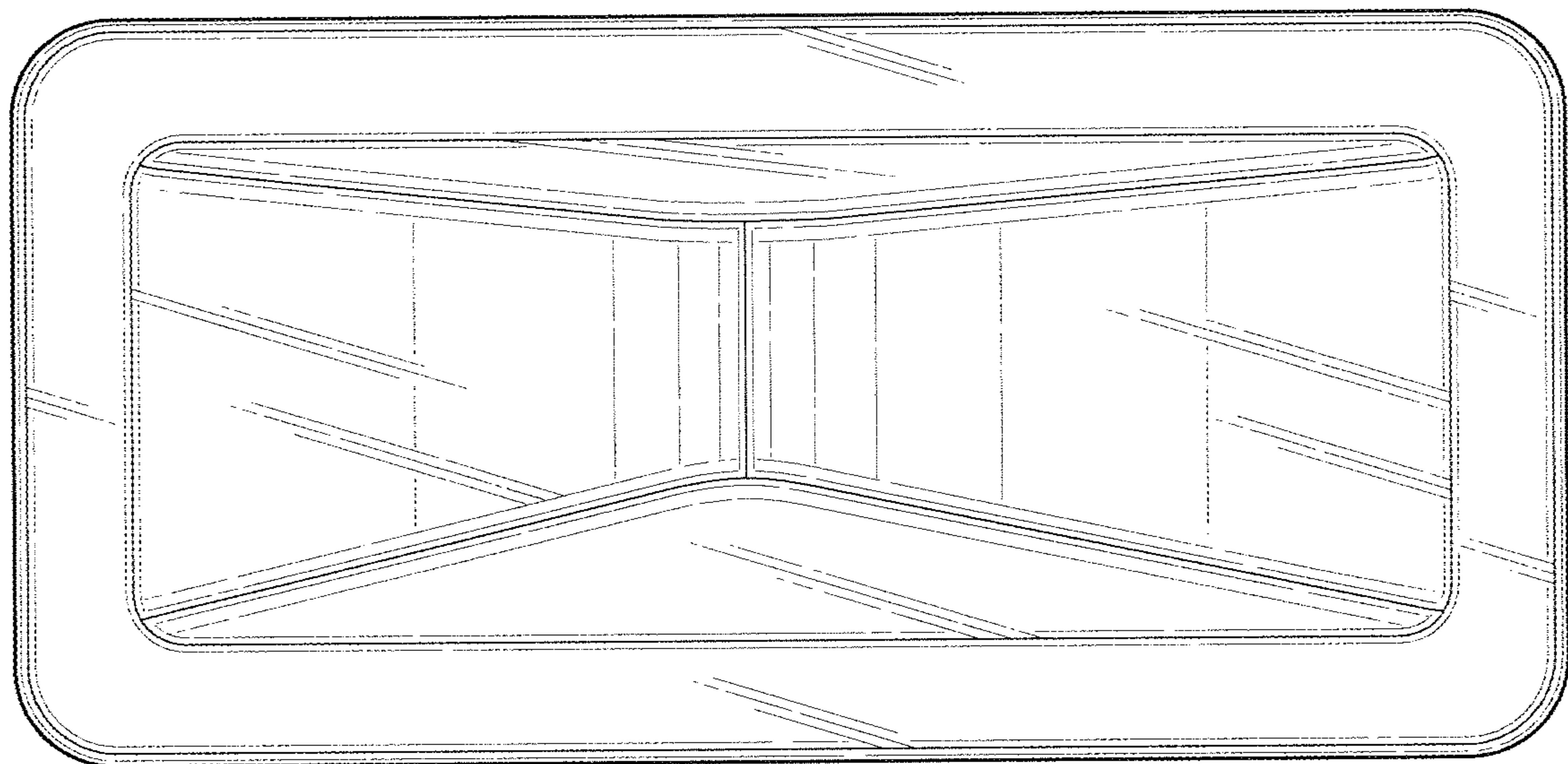


FIG. 10