



US00D915192S

(12) **United States Design Patent** (10) **Patent No.:** **US D915,192 S**  
**Krueger et al.** (45) **Date of Patent:** **\*\* Apr. 6, 2021**

(54) **PLASTIC FOOD CONTAINER**

(74) *Attorney, Agent, or Firm* — Don V. Kelly; Evans & Dixon, L.L.C.

(71) Applicant: **Anchor Packaging, LLC**, St. Louis, MO (US)

(57) **CLAIM**

(72) Inventors: **Kevin Krueger**, Fenton, MO (US);  
**Mike Pohlman**, Valley Park, MO (US)

The ornamental design for a plastic food container, as shown and described.

(73) Assignee: **Anchor Packaging, LLC**, St. Louis, MO (US)

**DESCRIPTION**

(\*\*) Term: **15 Years**

FIG. 1 is a top, front perspective view of a plastic food container, showing our new design;  
FIG. 2 is a front elevation view thereof;  
FIG. 3 is a rear elevation view thereof;  
FIG. 4 is a left side elevation view thereof;  
FIG. 5 is a right side elevation view thereof;  
FIG. 6 is a top plan view thereof;  
FIG. 7 is a bottom plan view thereof;  
FIG. 8 is a front elevation thereof, shown without the base for ease of illustration;  
FIG. 9 is a rear elevation view thereof, shown without the base for ease of illustration;  
FIG. 10 is a left side elevation view thereof, shown without the base for ease of illustration;  
FIG. 11 is a right side elevation view thereof, shown without the base for ease of illustration;  
FIG. 12 is a top plan view thereof, shown without the base for ease of illustration;  
FIG. 13 is a bottom plan view thereof, shown without the base for ease of illustration;  
FIG. 14 is a front elevation view thereof, shown without the lid for ease of illustration;  
FIG. 15 is a rear elevation view thereof, shown without the lid for ease of illustration;  
FIG. 16 is a left side elevation view thereof, shown without the lid for ease of illustration;  
FIG. 17 is a right side elevation view thereof, shown without the lid for ease of illustration;  
FIG. 18 is a top plan view thereof, shown without the lid for ease of illustration; and,  
FIG. 19 is a bottom plan view thereof, shown without the lid for ease of illustration.

(21) Appl. No.: **29/693,258**

(22) Filed: **May 31, 2019**

(51) **LOC (13) Cl.** ..... **09-03**

(52) **U.S. Cl.**  
USPC ..... **D9/425**

(58) **Field of Classification Search**  
USPC ..... D7/601, 602; D9/420, 425-432, 737, D9/761

(Continued)

(56) **References Cited**

**U.S. PATENT DOCUMENTS**

1,800,846 A 4/1931 Slagel  
2,633,284 A 3/1953 McFarland et al.

(Continued)

**FOREIGN PATENT DOCUMENTS**

CN 305118231 8/2018  
EM 00212113-0001 7/2004

(Continued)

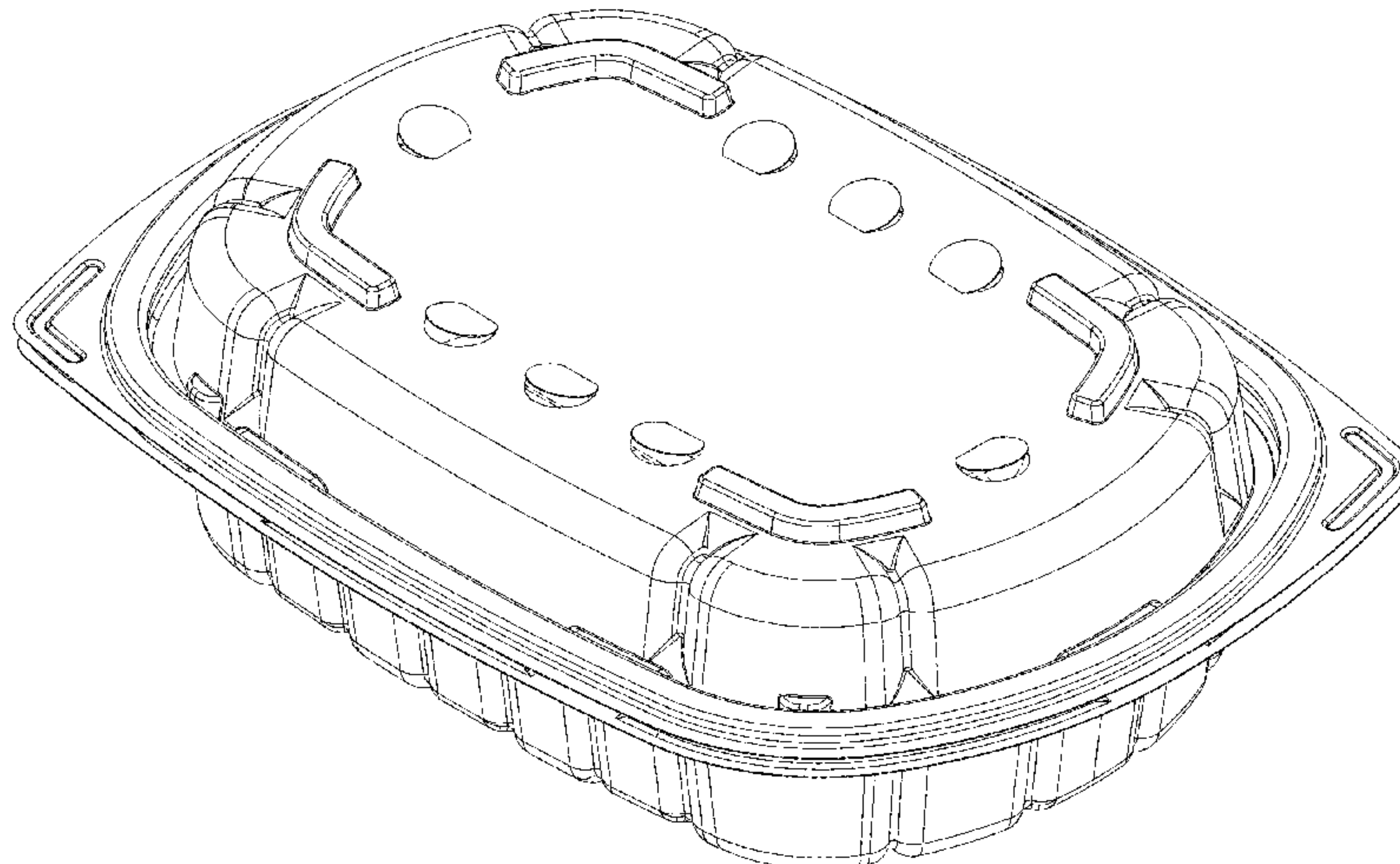
**OTHER PUBLICATIONS**

Co-pending U.S. Appl. No. 29/633,905, filed Jan. 17, 2018.

(Continued)

*Primary Examiner* — Janice Patyk

(Continued)



The broken lines in the figures illustrate the portions of the design that form no part of the claimed design.

**1 Claim, 19 Drawing Sheets**

(58) **Field of Classification Search**

CPC ... B65D 1/00; B65D 1/26; B65D 1/34; B65D 1/40; B65D 11/00; B65D 11/20; B65D 21/00; B65D 21/02; B65D 21/0209; B65D 21/0233; B65D 43/00; B65D 43/162; B65D 43/163; B65D 81/34; B65D 81/3446; B65D 81/3453; B65D 2581/34; B65D 2581/3404; B65D 2581/3409

See application file for complete search history.

(56) **References Cited**

U.S. PATENT DOCUMENTS

D251,895	S	5/1979	Belmuth	
4,372,526	A	2/1983	Daenen	
D288,698	S	3/1987	Finnamore	
4,784,267	A	11/1988	Gessler et al.	
5,065,889	A	11/1991	Conti	
5,076,459	A	12/1991	DeHart	
D336,216	S	6/1993	Rohrbeck	
D346,934	S	5/1994	Littlejohn	
D352,204	S	11/1994	Hayes	
D363,879	S *	11/1995	Krupa	D9/423
D371,940	S	7/1996	Krupa	
D380,381	S *	7/1997	Krupa	D9/425
5,947,321	A	9/1999	Vadney	
6,074,676	A	6/2000	Cadiente et al.	
D440,490	S	4/2001	Lizzio	
6,257,401	B1	7/2001	Mangla et al.	
6,257,434	B1	7/2001	Lizzio	
6,349,847	B1	2/2002	Mangla et al.	
D473,137	S *	4/2003	Cadiente	B65D 43/162 D9/423
D473,791	S	4/2003	Loris	
D494,463	S	8/2004	Tsao	
6,845,878	B2	1/2005	Hayes et al.	
6,962,263	B2	11/2005	Cadiente et al.	
D563,095	S	3/2008	Sabbag	
D569,243	S *	5/2008	Kidd	D9/425
D579,326	S *	10/2008	Chen	D9/425
7,441,672	B2	10/2008	Cadiente et al.	
7,472,799	B2	1/2009	Cadiente et al.	
D598,714	S	8/2009	Aagaard	
D616,698	S	6/2010	Lion	
D621,650	S	8/2010	DeLeo	

D625,180	S	10/2010	Enriquez	
D628,471	S	12/2010	Golota	
D628,472	S *	12/2010	Strange	D9/425
D632,561	S *	2/2011	Short	D9/427
7,900,793	B2	3/2011	Hanson et al.	
D640,129	S *	6/2011	Sifuentes	D9/425
D645,711	S	9/2011	Sudia	
D663,615	S *	7/2012	Liang	D9/425
D670,178	S	11/2012	Carson	
D683,178	S	5/2013	Su	
D692,751	S *	11/2013	Mastronardi	D9/427
D699,106	S	2/2014	Glaser	
8,770,431	B1	7/2014	Glaser	
D731,263	S	6/2015	Zila	
D789,798	S	6/2017	Haddad	
D806,575	S	1/2018	Collins	
D815,941	S	4/2018	Haddad	
D817,696	S	5/2018	Mirchandani	
2003/0062365	A1	4/2003	Krueger	
2003/0152670	A1	8/2003	Shih	
2007/0196541	A1	8/2007	Vovan	
2007/0241110	A1	10/2007	Belleggi	
2009/0057381	A1	3/2009	Gokhale	
2009/0206090	A1	8/2009	Hanson	
2010/0122930	A1	5/2010	Manca	
2010/0320210	A1	12/2010	Cimmerer	
2013/0175269	A1	7/2013	Chen	
2013/0175284	A1	7/2013	Chen	
2014/0183190	A1	7/2014	Tyberghein	
2016/0016690	A1	1/2016	Lam	
2018/0297742	A1	10/2018	Dube	

FOREIGN PATENT DOCUMENTS

EM	003046416-0001	3/2016
EM	005580537-0001	8/2018
EM	005580537-0002	8/2018
EM	005580537-0003	8/2018
EM	005606860-0001	8/2018
EM	305040743	2/2019
TW	470068	12/2001

OTHER PUBLICATIONS

Co-pending U.S. Appl. No. 29/637,021, filed Feb. 13, 2018.  
 Co-pending U.S. Appl. No. 29/694,618, filed Jun. 12, 2019.  
 Co-pending U.S. Appl. No. 29/692,808, filed May 29, 2019.  
 Co-pending U.S. Appl. No. 29/695,418, filed Jun. 19, 2019.  
 Co-pending U.S. Appl. No. 29/692,900, filed May 29, 2019.  
 Co-pending U.S. Appl. No. 29/692,818, filed May 29, 2019.  
 Co-pending U.S. Appl. No. 29/694,673, filed Jun. 12, 2019.  
 Co-pending U.S. Appl. No. 29/693,230, filed May 31, 2019.  
 Co-pending U.S. Appl. No. 29/693,235, filed May 31, 2019.

\* cited by examiner



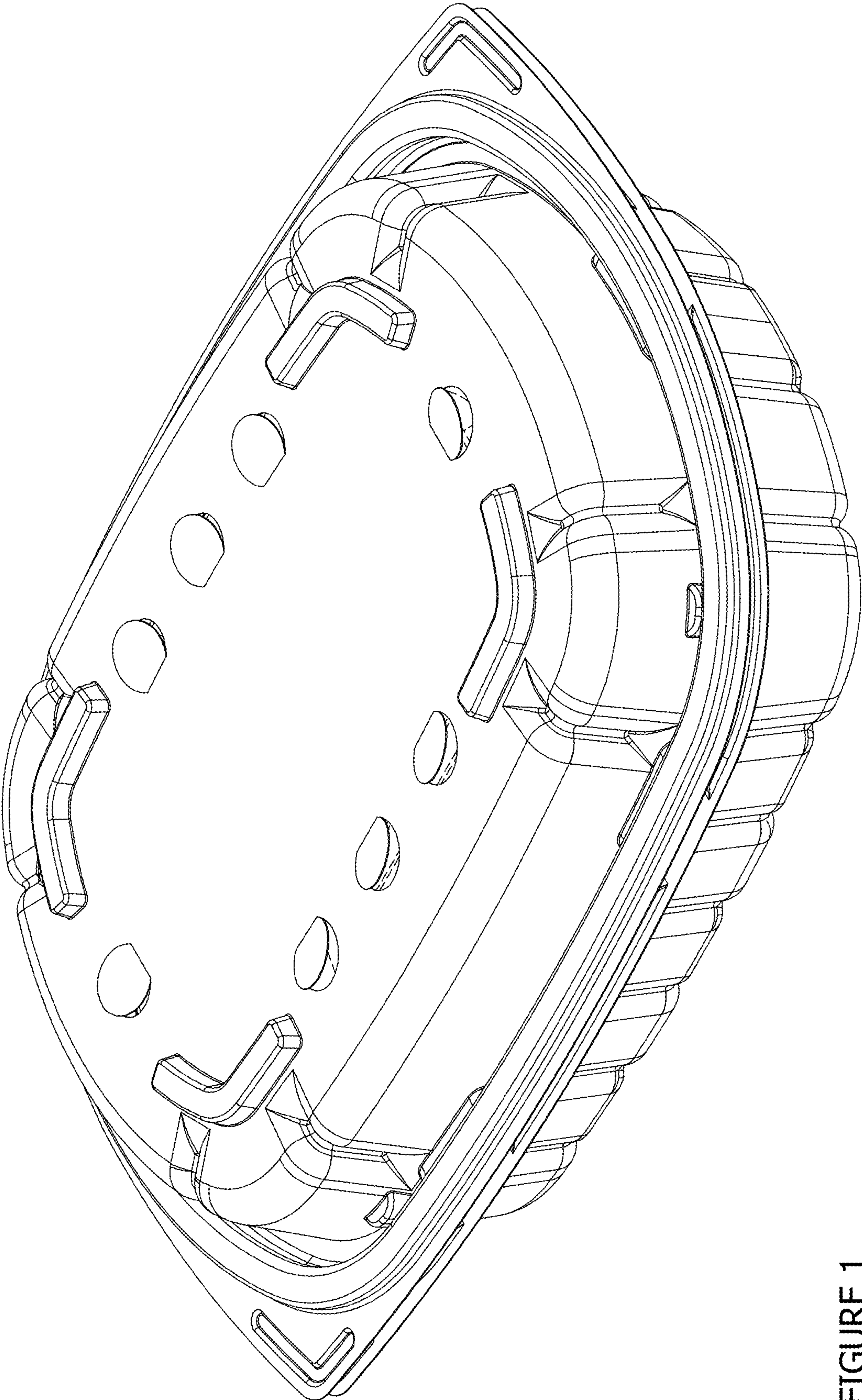


FIGURE 1

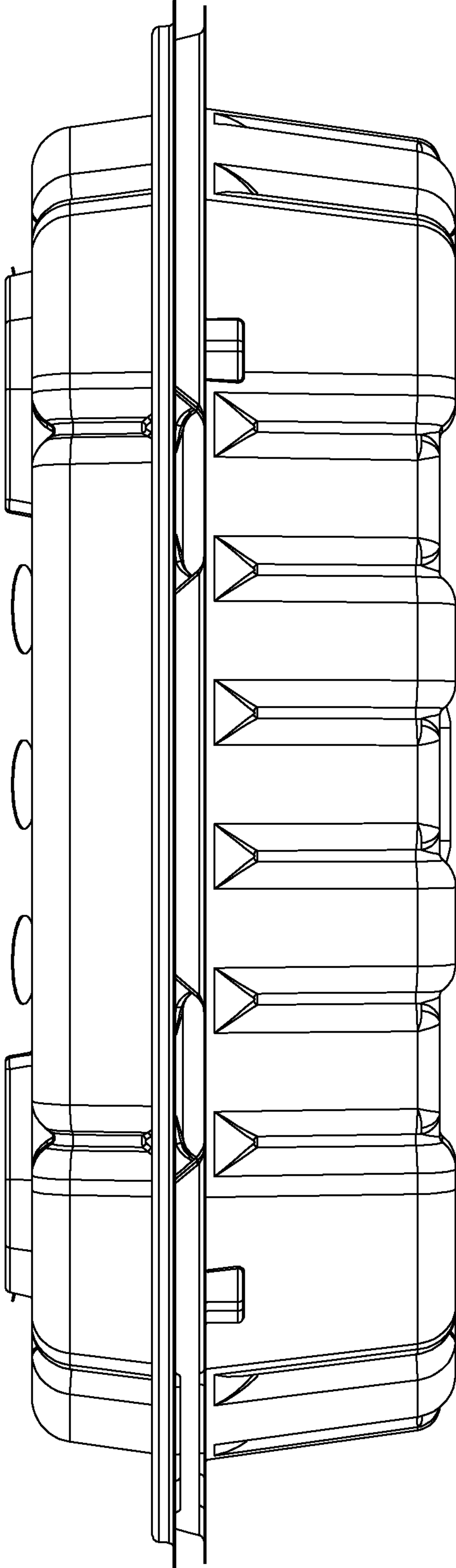


FIGURE 2

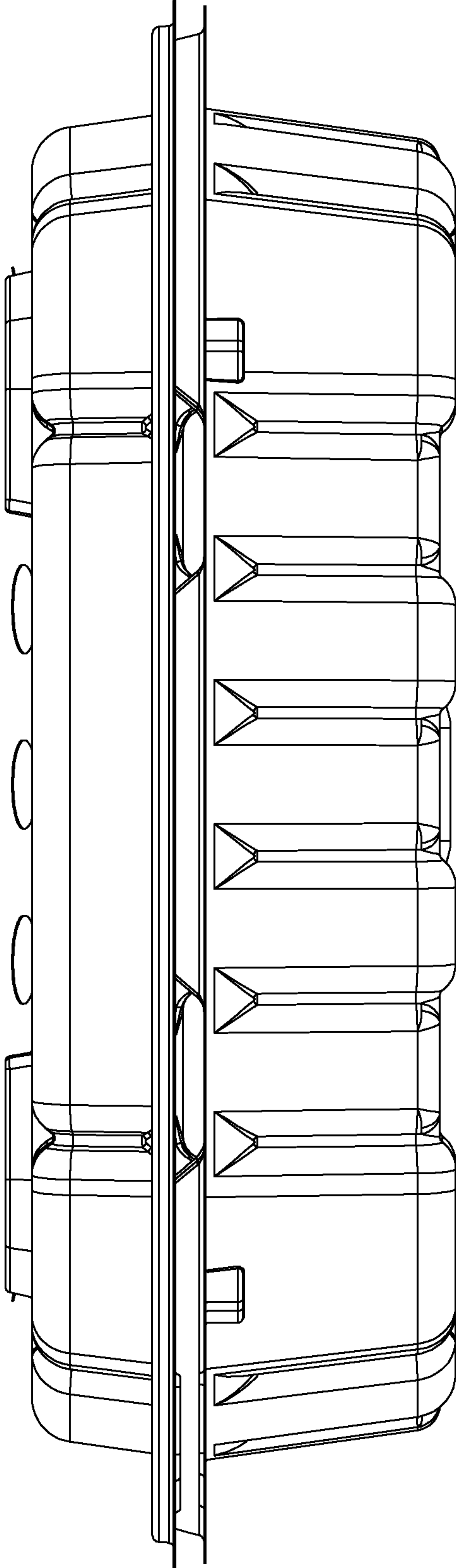


FIGURE 3

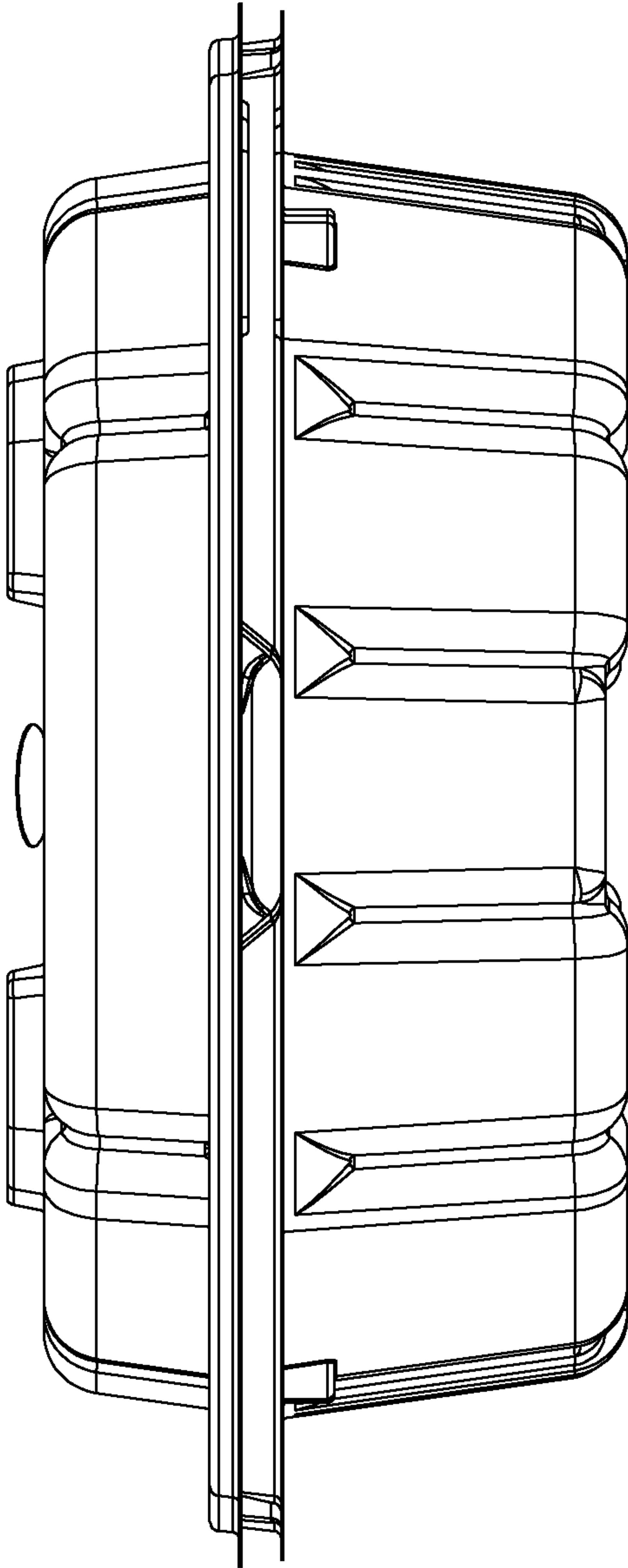


FIGURE 4

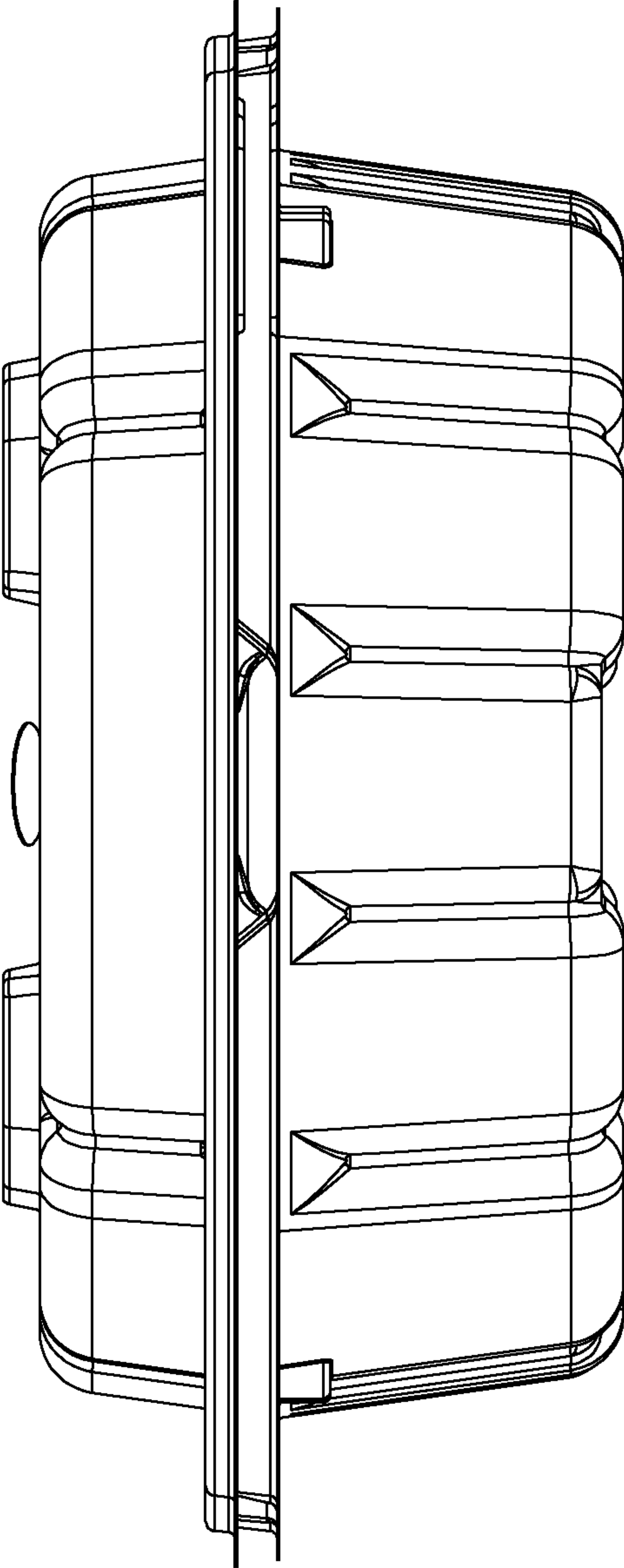


FIGURE 5



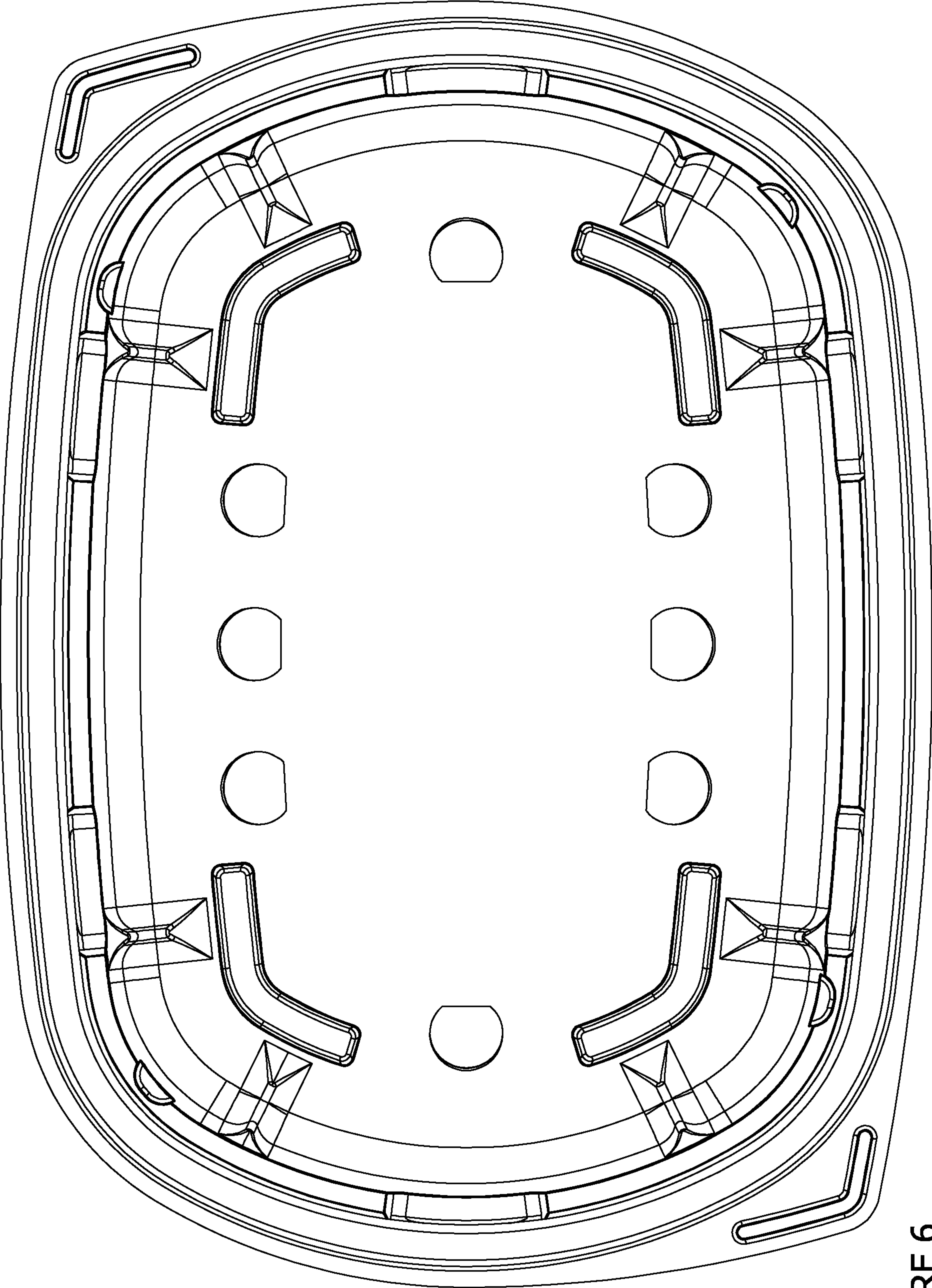


FIGURE 6



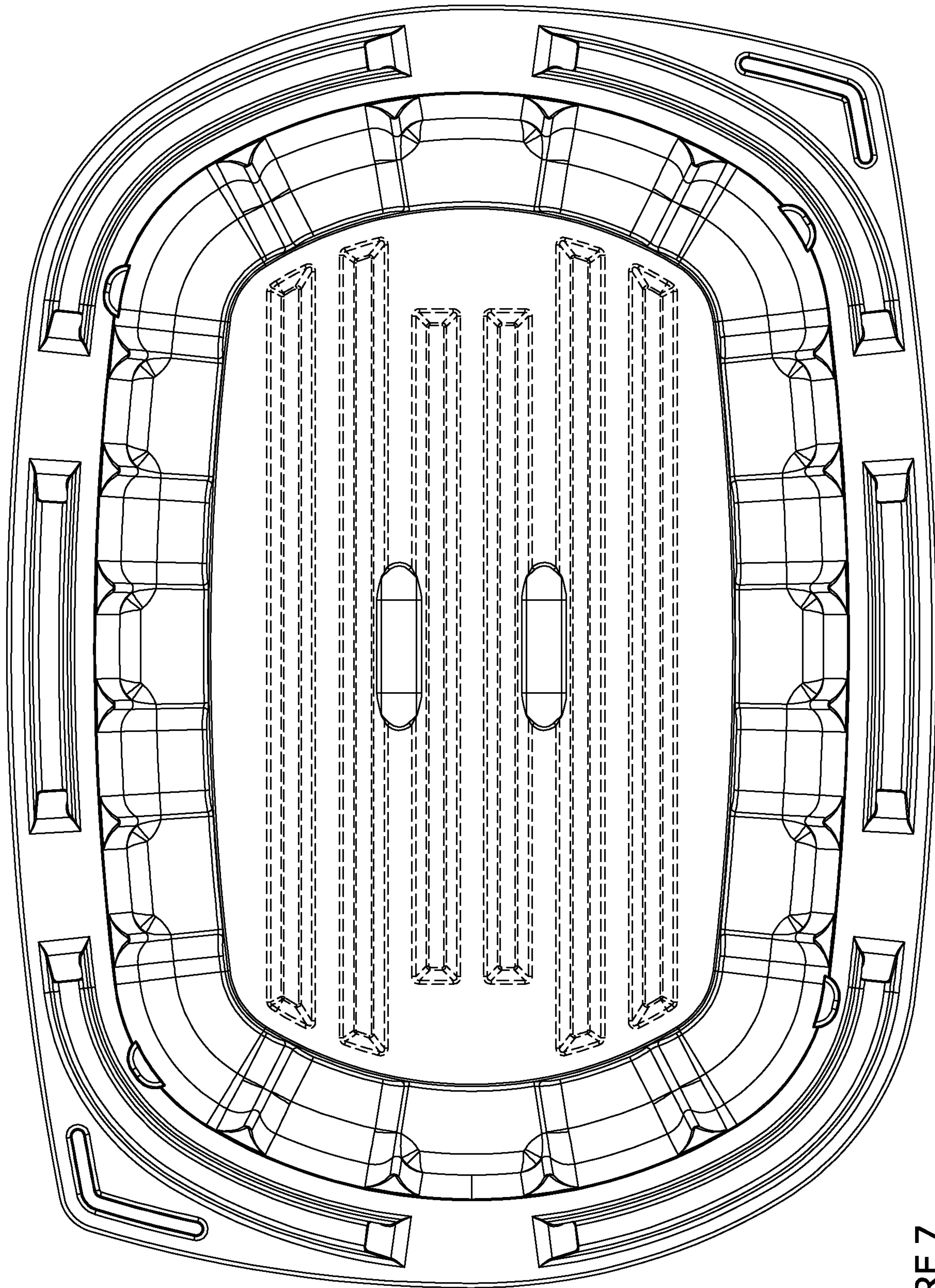


FIGURE 7

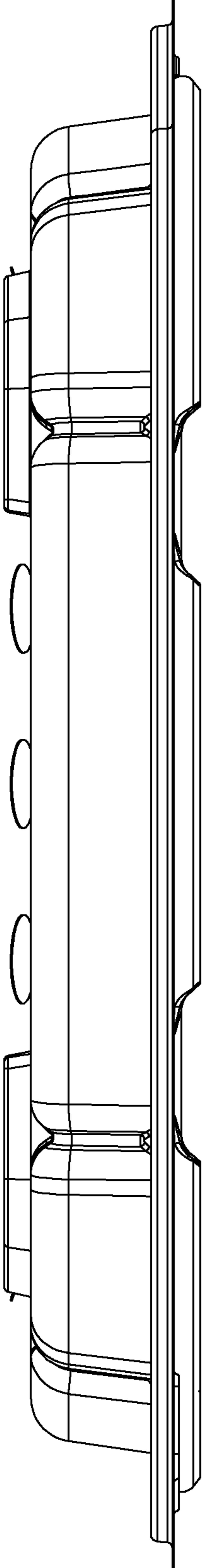


FIGURE 8

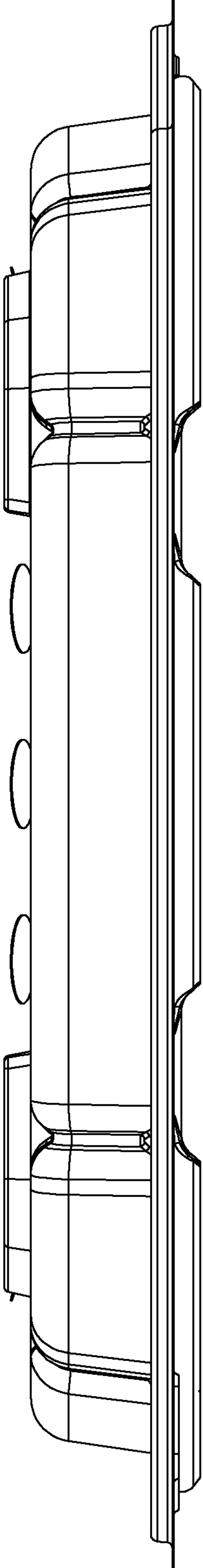


FIGURE 9

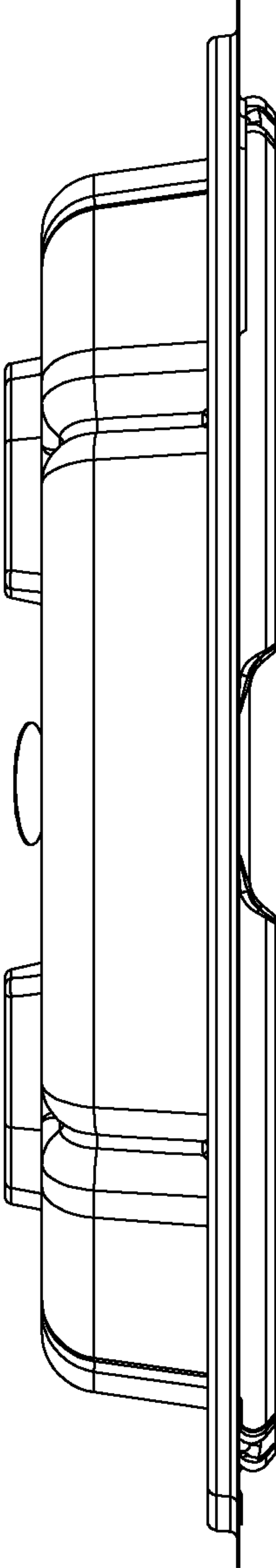


FIGURE 10



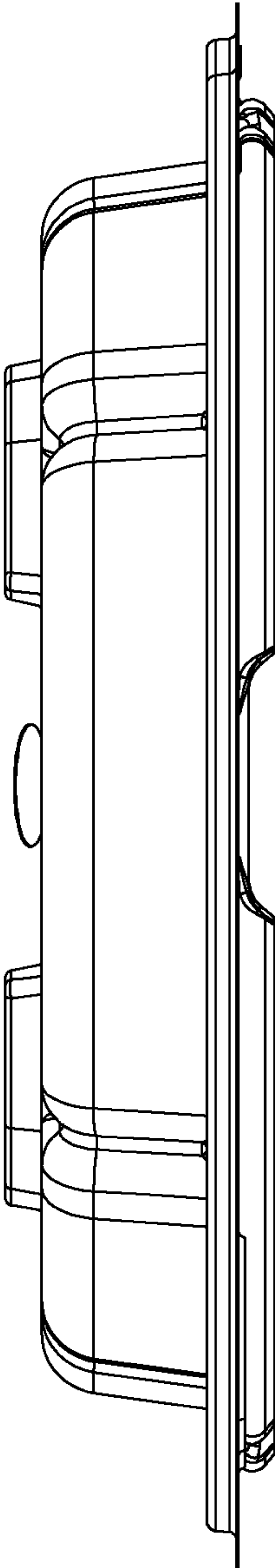


FIGURE 11

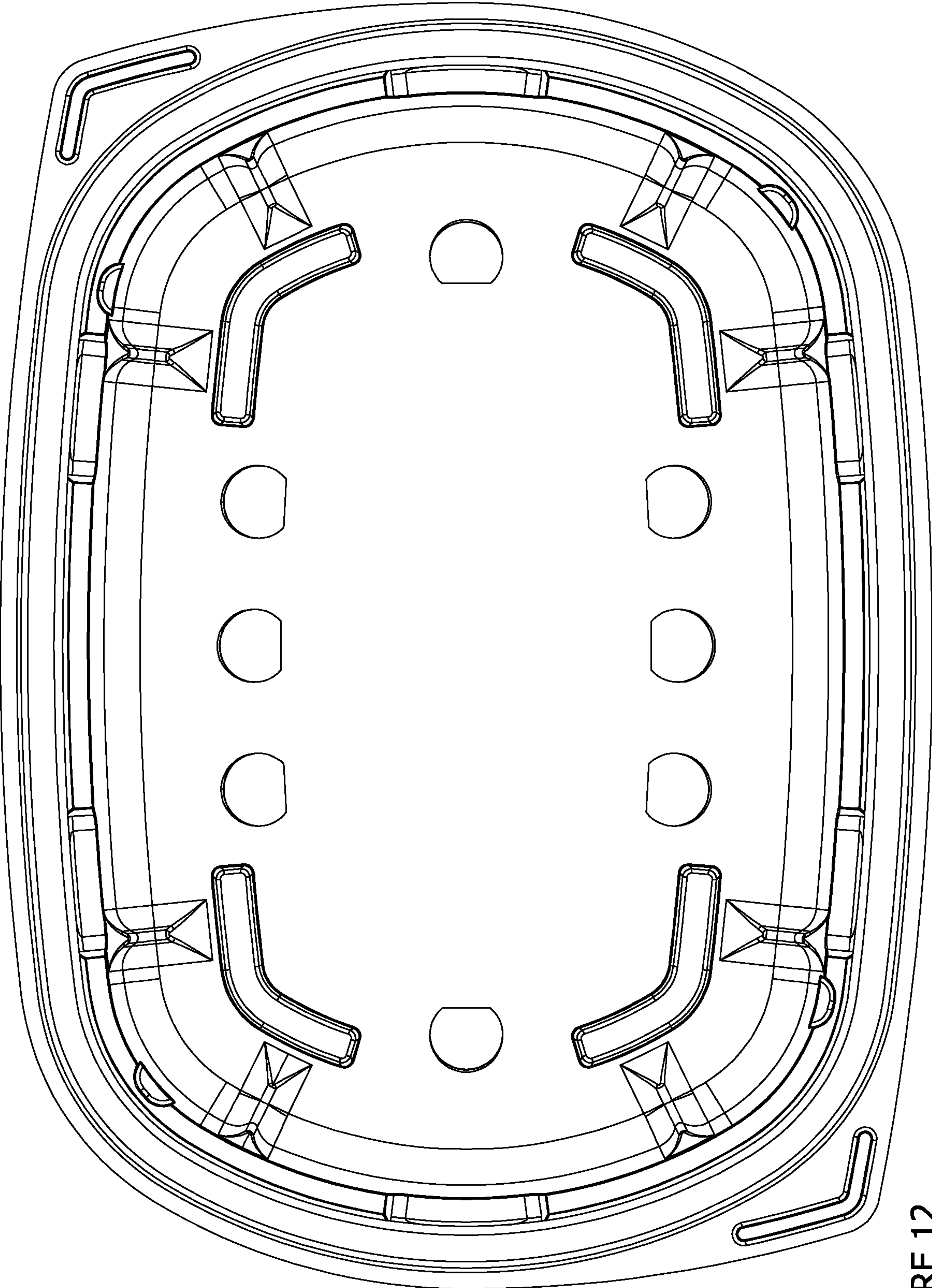


FIGURE 12

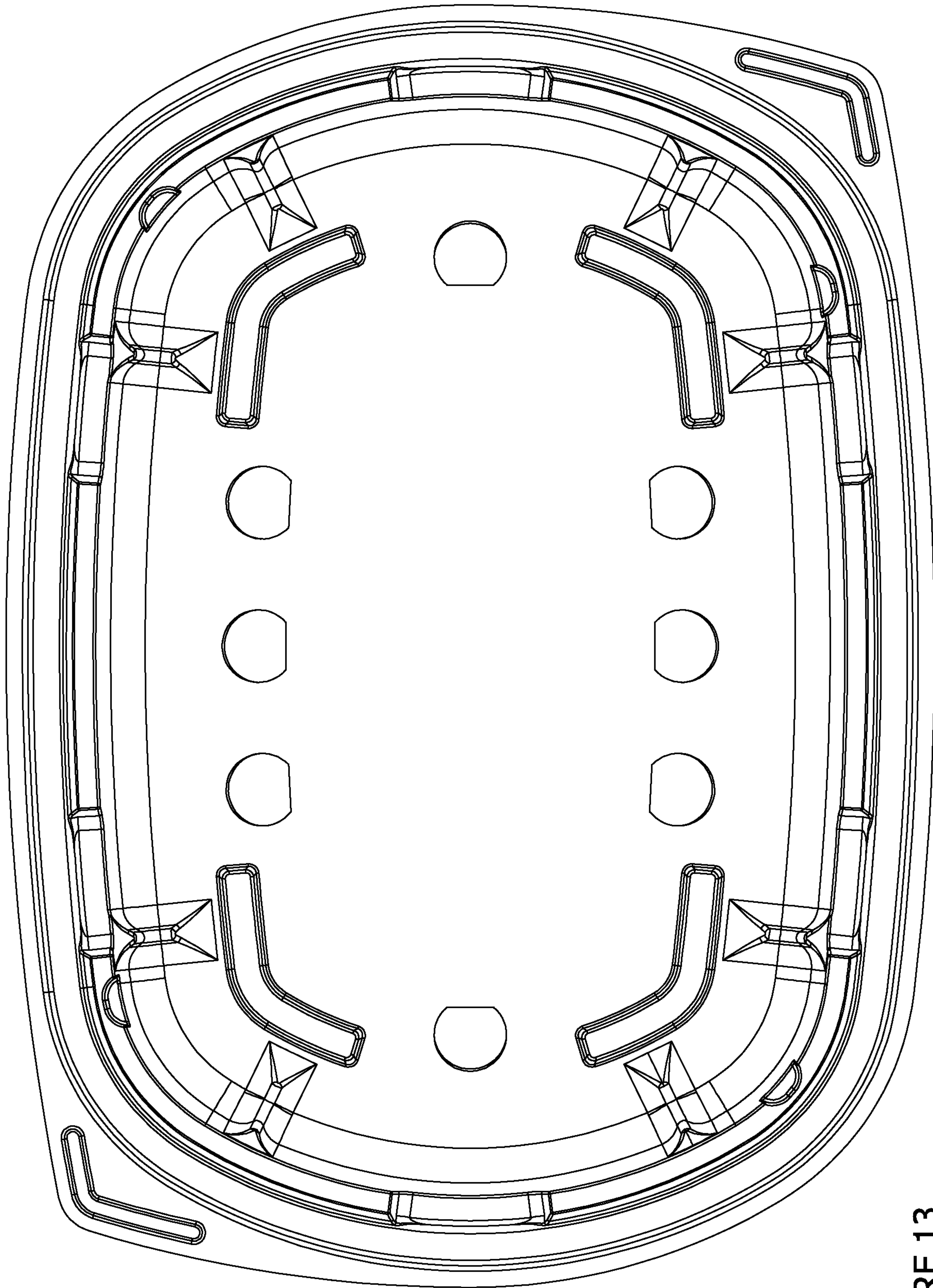


FIGURE 13

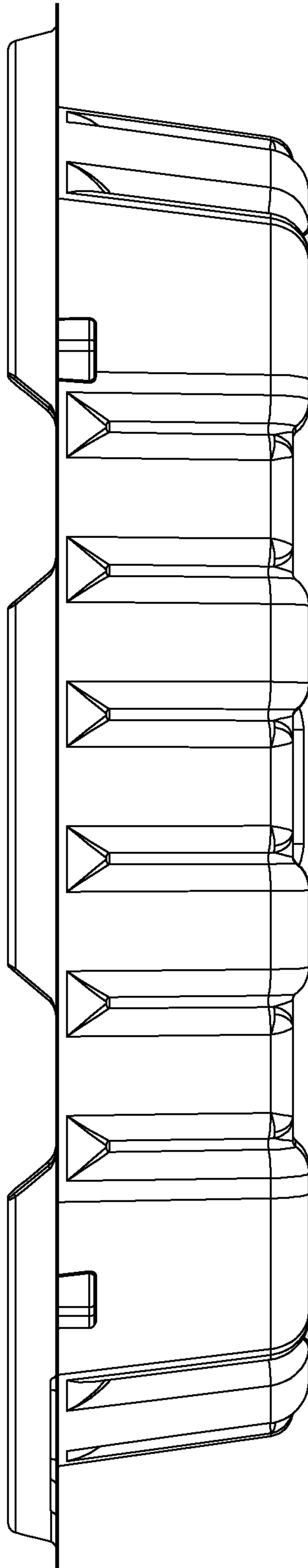


FIGURE 14



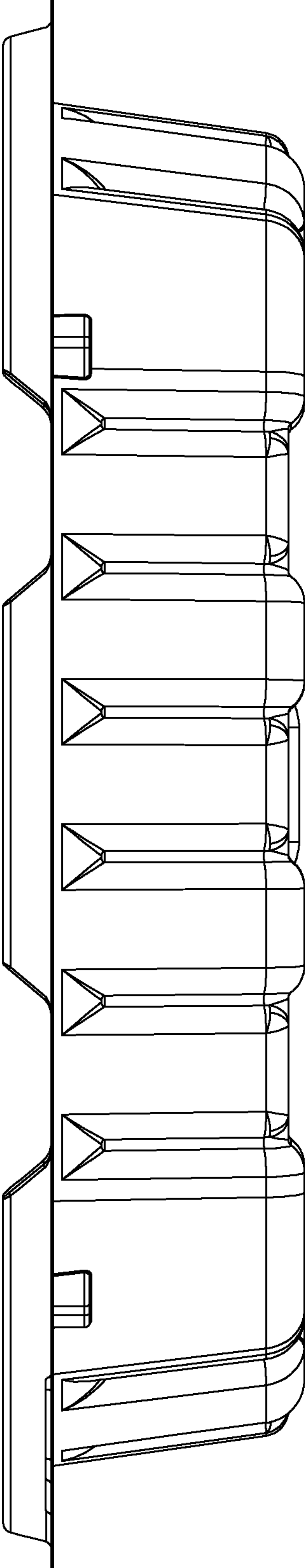


FIGURE 15

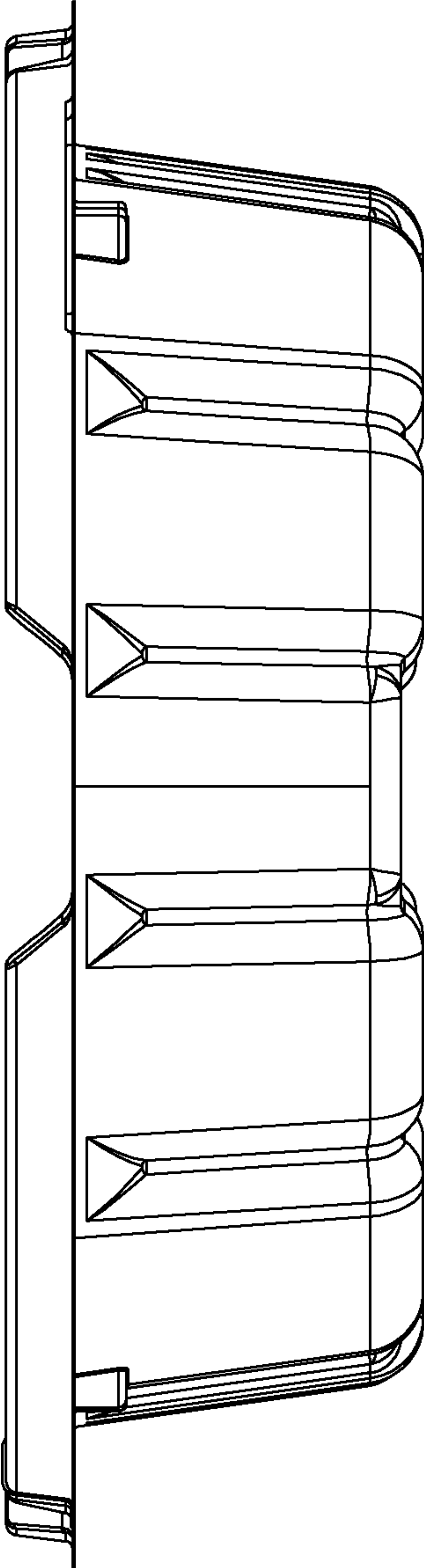


FIGURE 16

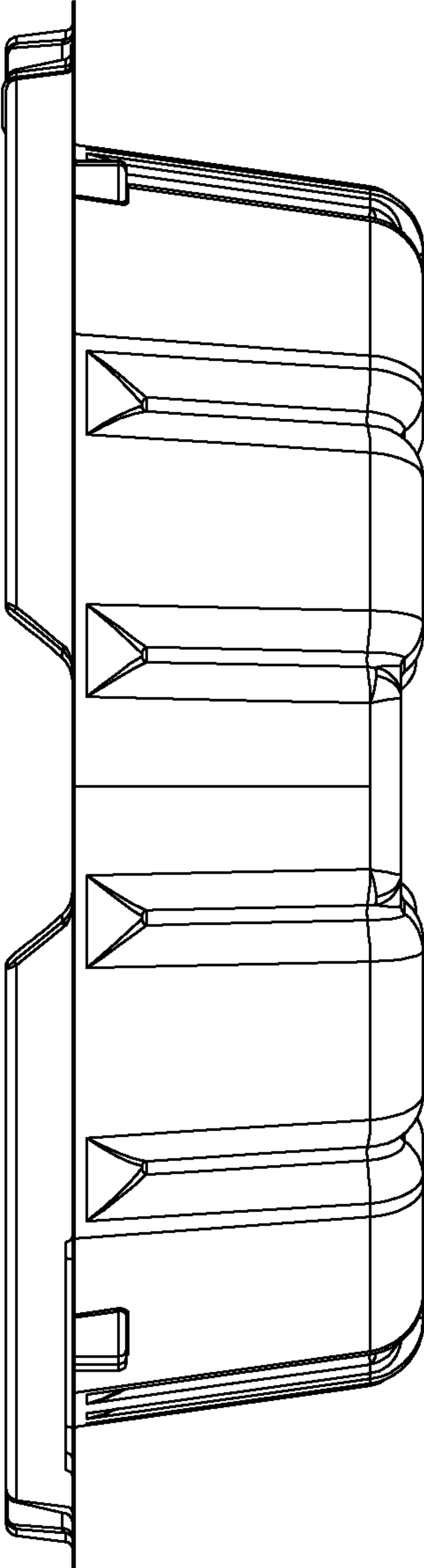


FIGURE 17

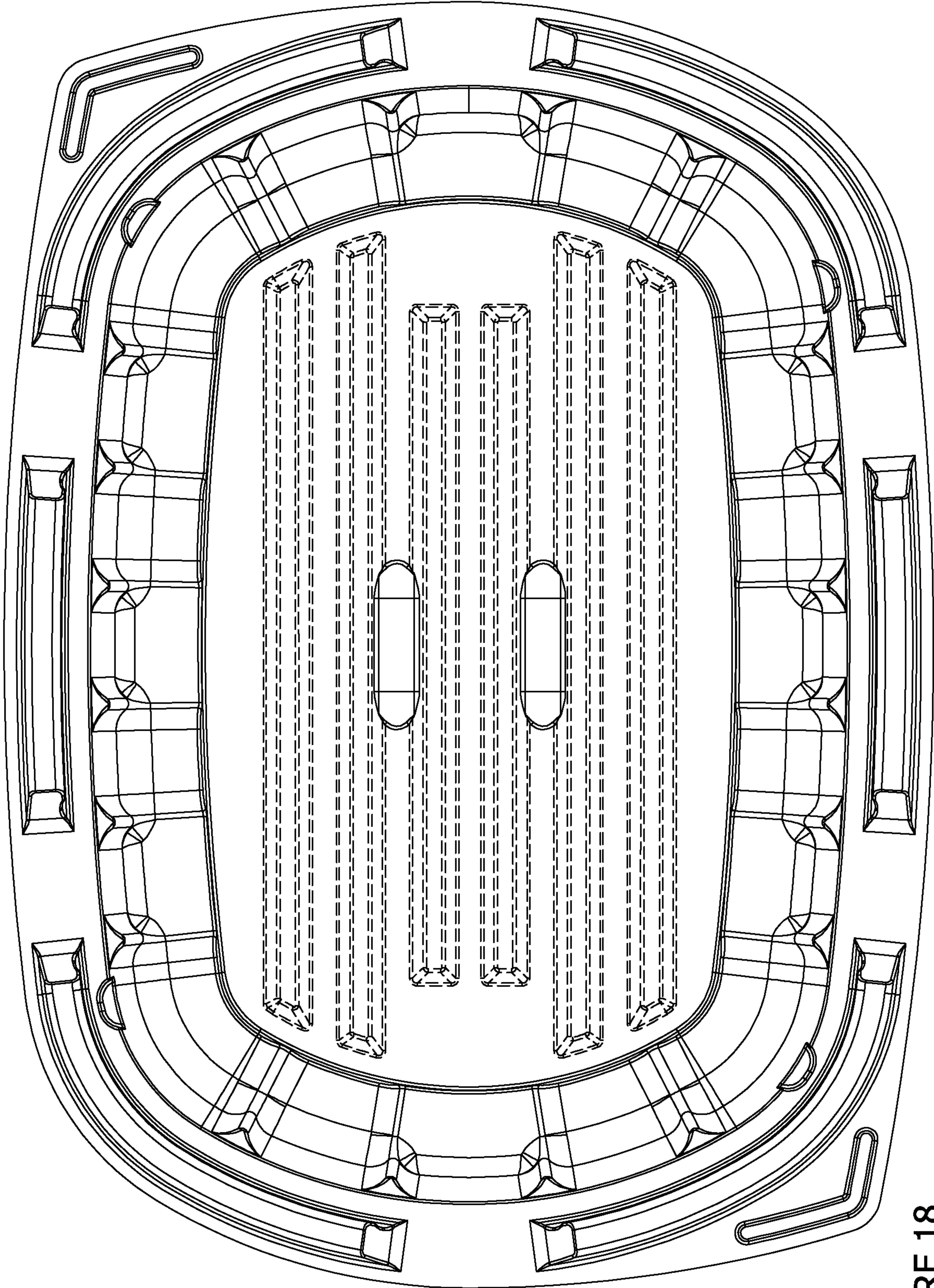


FIGURE 18



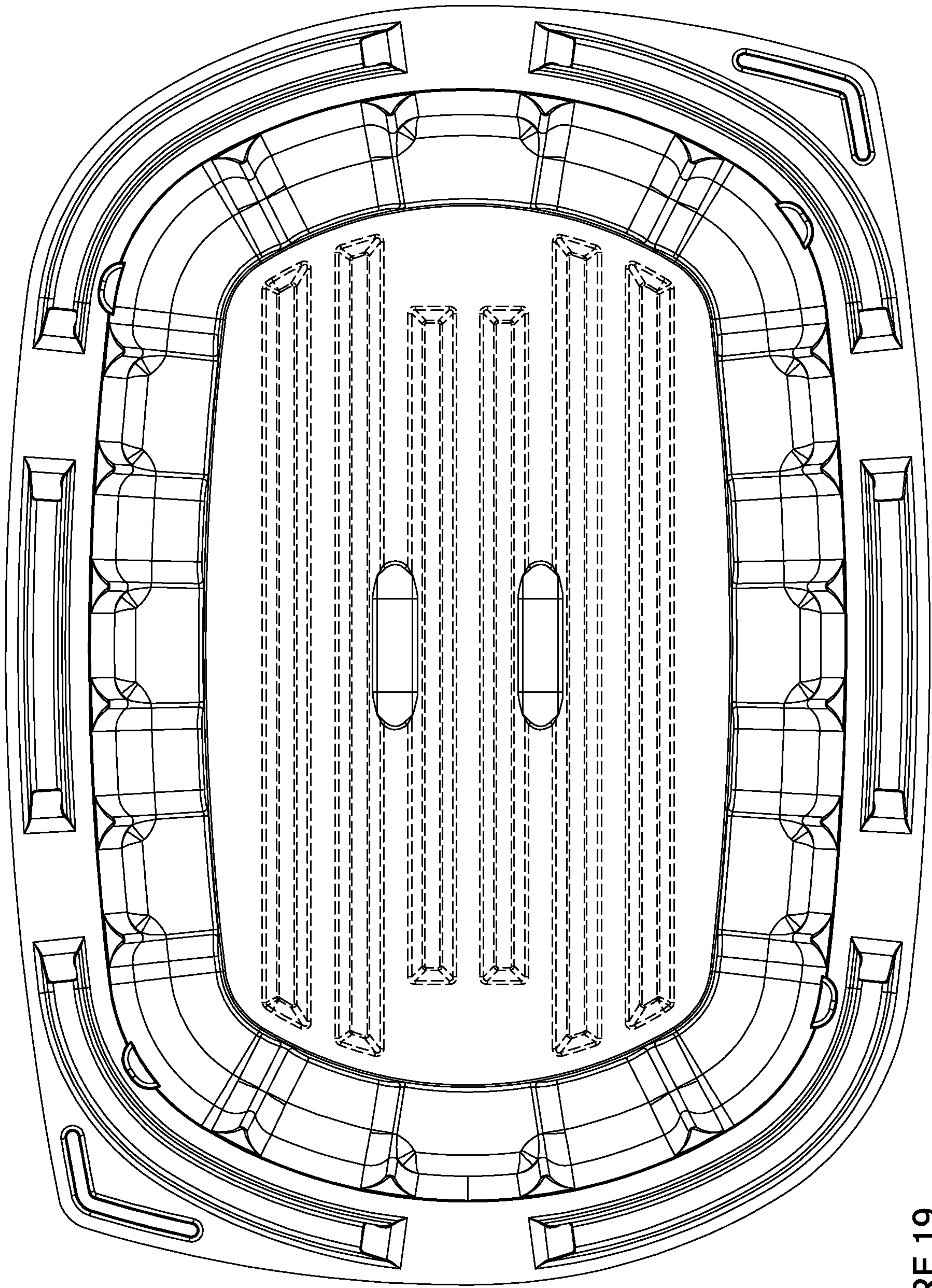


FIGURE 19