

US00D915191S

(12) **United States Design Patent** (10) **Patent No.:** **US D915,191 S**  
**Yuan et al.** (45) **Date of Patent:** **\*\* Apr. 6, 2021**

(54) **LOCK PACKAGE**

(71) Applicant: **TAIWAN FU HSING INDUSTRIAL CO., LTD.**, Kaohsiung (TW)

(72) Inventors: **Shih-Ting Yuan**, Kaohsiung (TW);  
**Wan-Lin Hsieh**, Kaohsiung (TW)

(73) Assignee: **Taiwan Fu Hsing Industrial Co., Ltd.**,  
Kaohsiung (TW)

(\*\*) Term: **15 Years**

(21) Appl. No.: **29/726,406**

(22) Filed: **Mar. 3, 2020**

(30) **Foreign Application Priority Data**

Dec. 17, 2019 (TW) ..... 108307812

(51) **LOC (13) Cl.** ..... **09-03**

(52) **U.S. Cl.**

USPC ..... **D9/424**; D9/415

(58) **Field of Classification Search**

USPC ..... D9/414, 415, 423, 424, 425, 430, 737;  
D7/400, 553.1, 553.2, 554.3, 545, 555,  
D7/601, 602, 629, 630

CPC ..... B65D 1/36; B65D 71/70; B65D  
2543/00296; B65D 1/34; B65D  
2571/0066; B65D 5/4204

See application file for complete search history.

(56) **References Cited**

U.S. PATENT DOCUMENTS

D437,216 S \* 2/2001 Saputo ..... D9/415  
D504,811 S \* 5/2005 Haingaertner ..... D9/415

D506,130 S \* 6/2005 Metaxatos ..... D9/415  
D596,030 S \* 7/2009 Liipola ..... D9/456  
D642,048 S \* 7/2011 Ocampo ..... D9/424  
D767,987 S \* 10/2016 Wu ..... D9/424  
D810,560 S \* 2/2018 Yuan ..... D9/424  
D817,172 S \* 5/2018 Jones ..... D9/456  
D841,460 S \* 2/2019 Toledo ..... D9/425  
2014/0034547 A1\* 2/2014 Bontrager ..... B65D 81/022  
206/588  
2017/0297803 A1\* 10/2017 Chambers ..... B65D 77/042

\* cited by examiner

*Primary Examiner* — Lauren R Calve

(74) *Attorney, Agent, or Firm* — Rosenberg, Klein & Lee

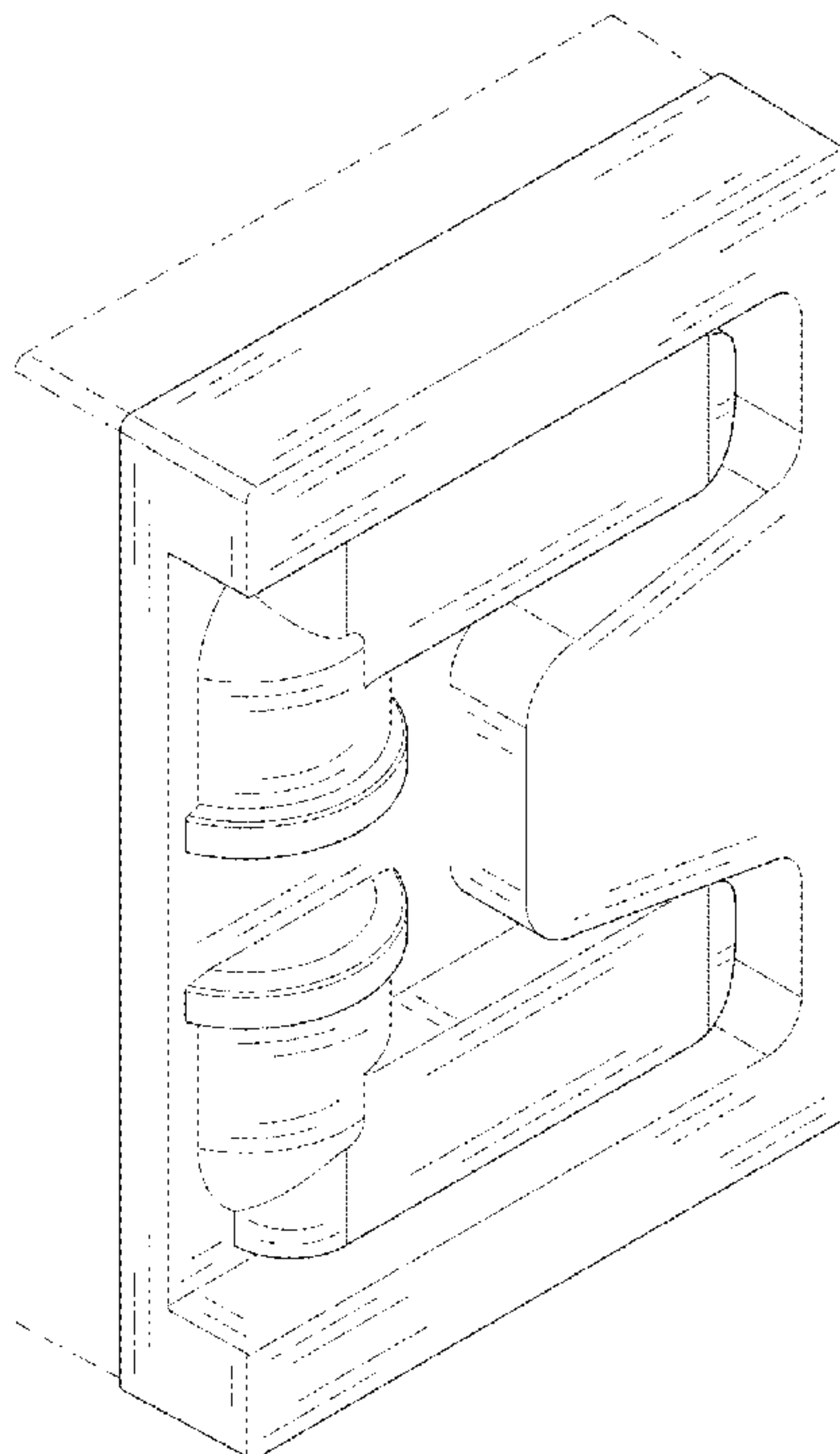
(57) **CLAIM**

The ornamental design for a lock package, as shown and described.

**DESCRIPTION**

FIG. 1 is a perspective view of the lock package showing our new design;  
FIG. 2 is a front elevational view thereof;  
FIG. 3 is a left side elevational view thereof;  
FIG. 4 is a right side elevational view thereof;  
FIG. 5 is a top plan view thereof;  
FIG. 6 is a bottom plan view thereof;  
FIG. 7 is another perspective view thereof, and,  
FIG. 8 is a reference exploded view in usage.  
The rear view forms no part of the claimed design and is omitted.  
The broken line illustration of environmental structure in the drawings form no part of the claimed design.

**1 Claim, 8 Drawing Sheets**



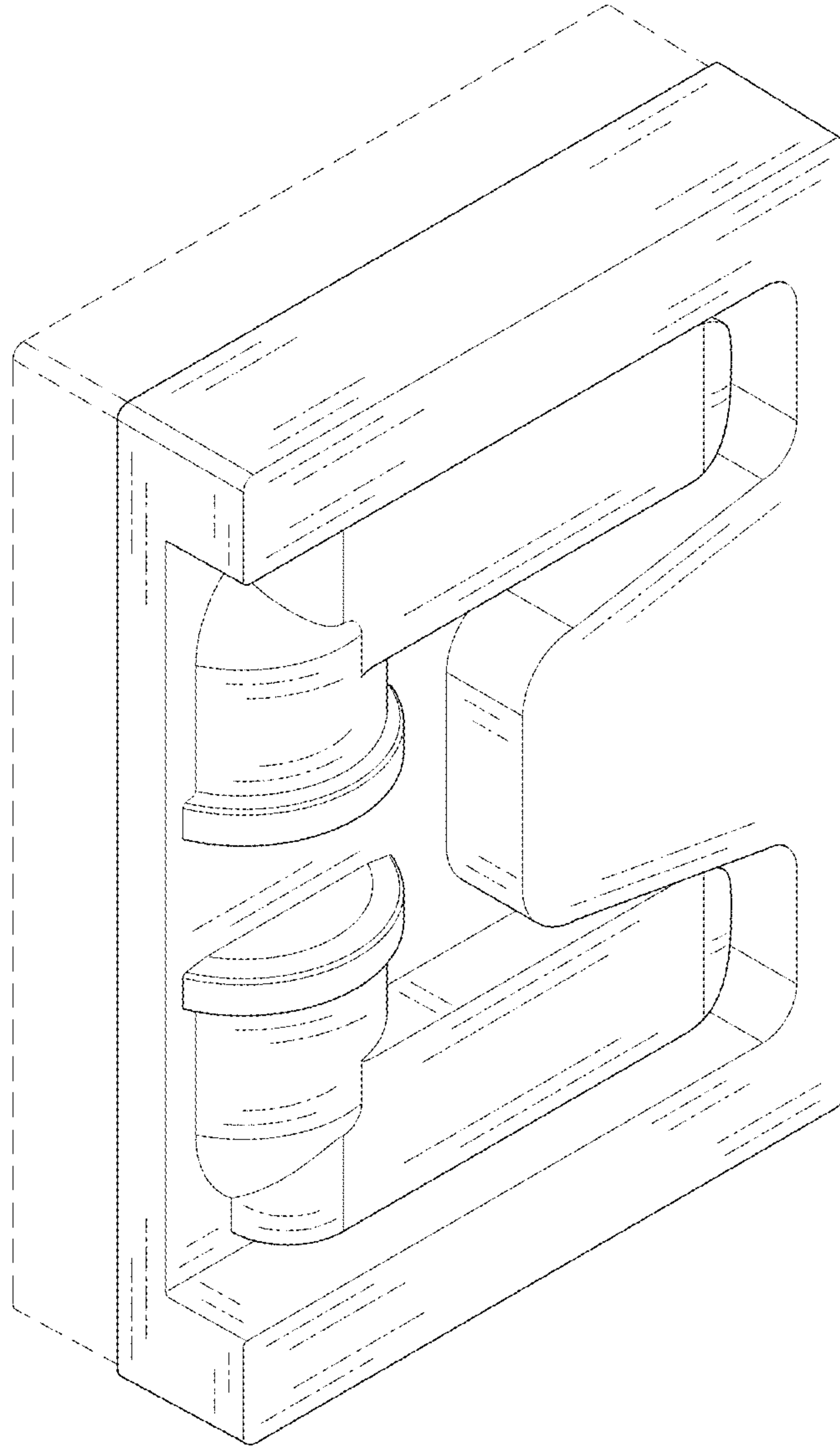


FIG.1

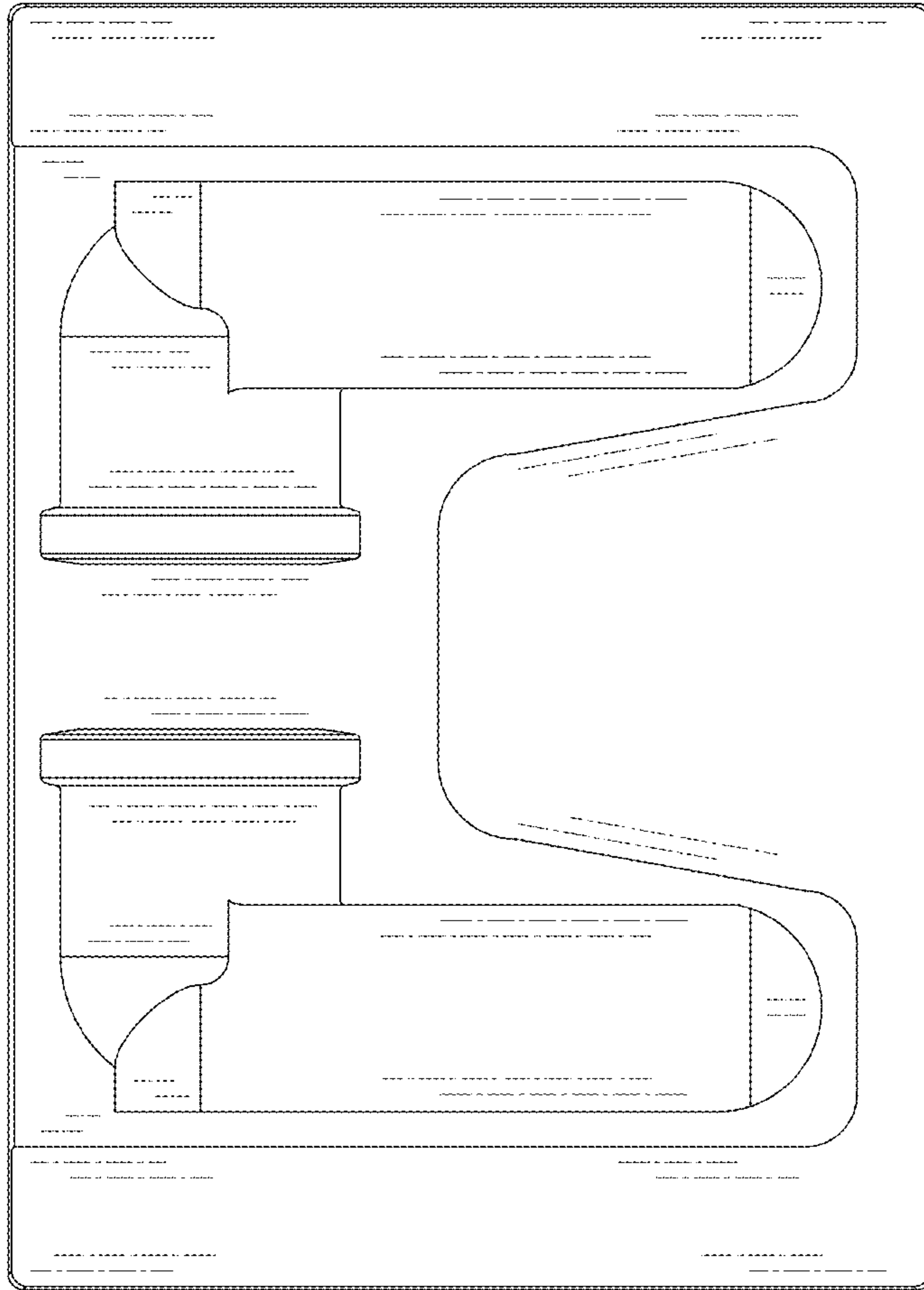


FIG.2

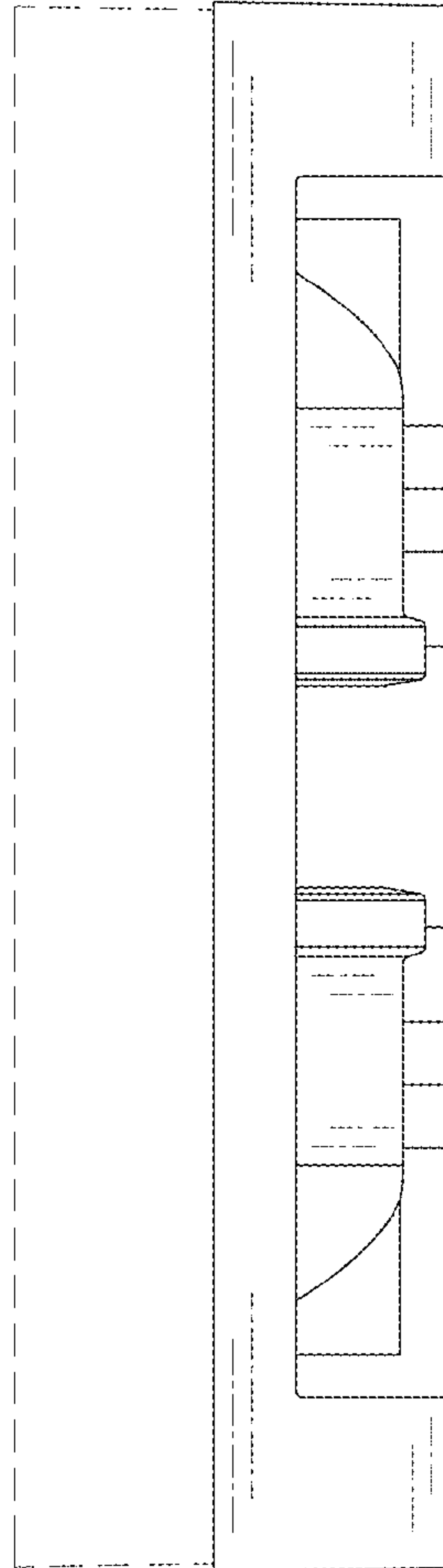


FIG.3

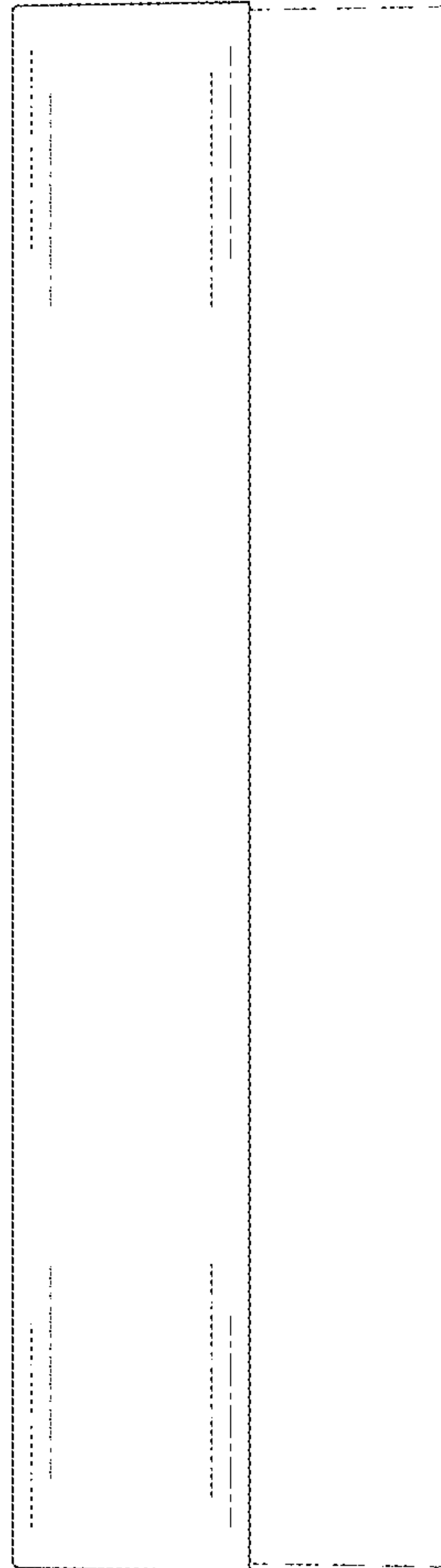


FIG.4

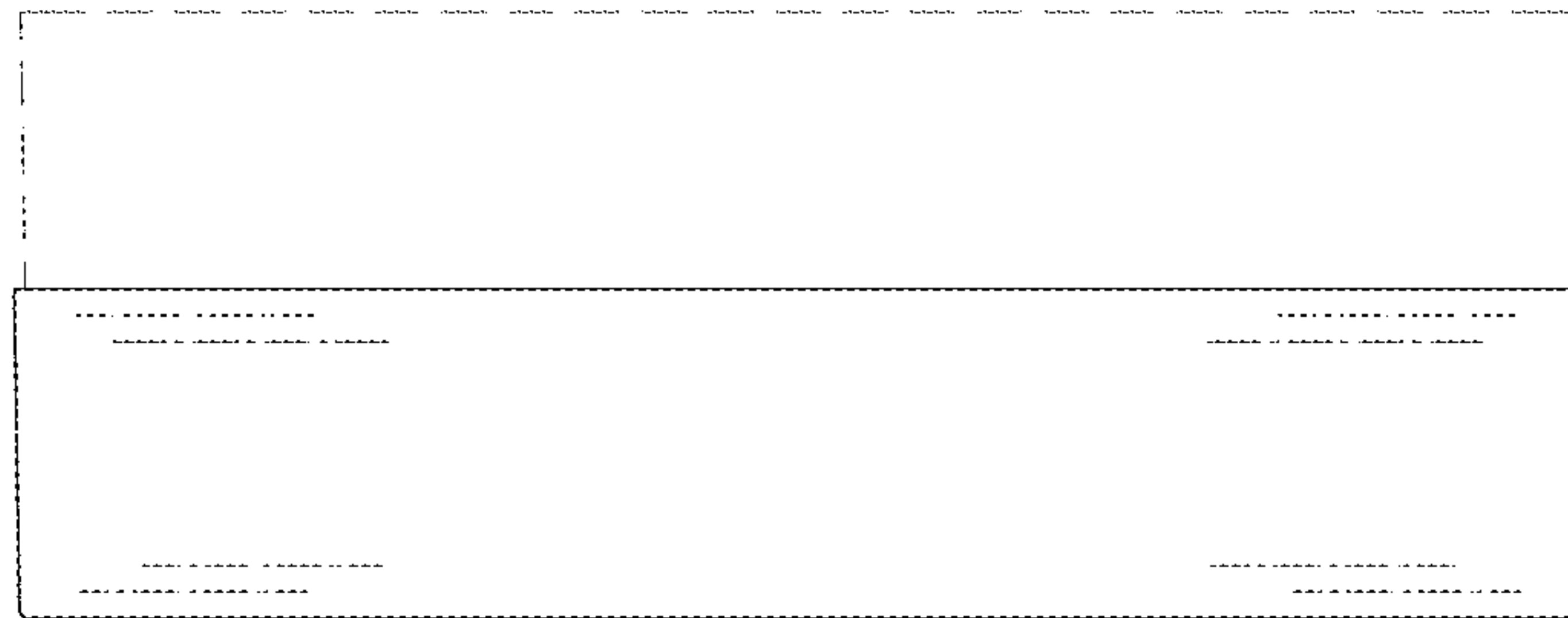


FIG.5

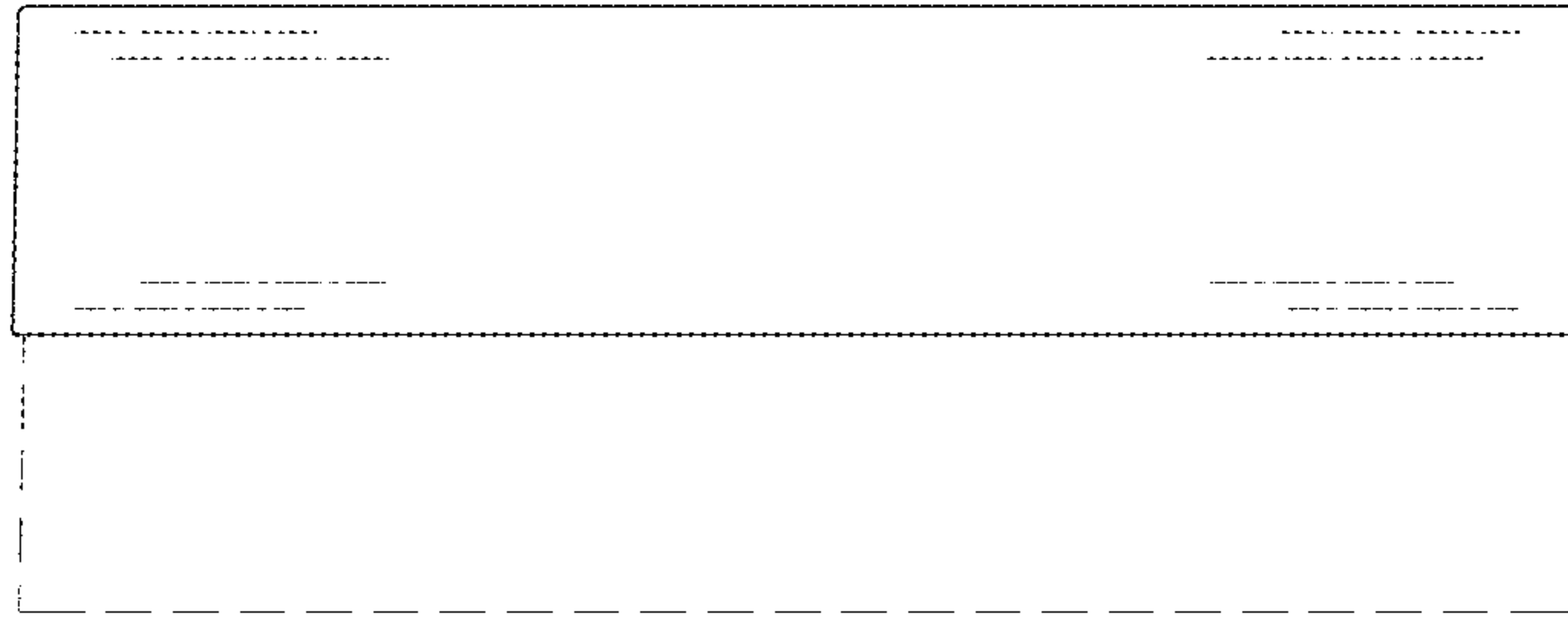


FIG.6

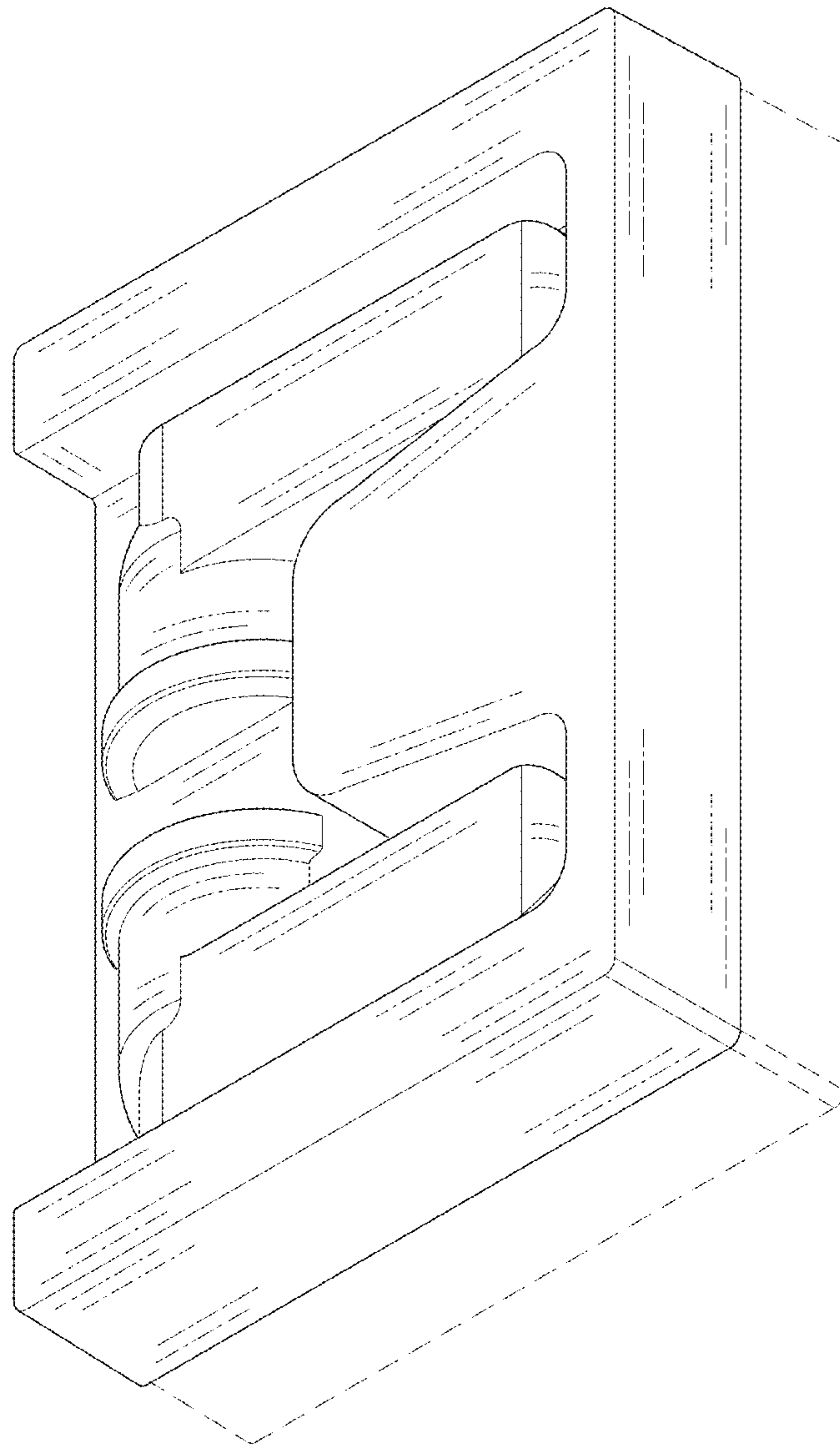


FIG.7



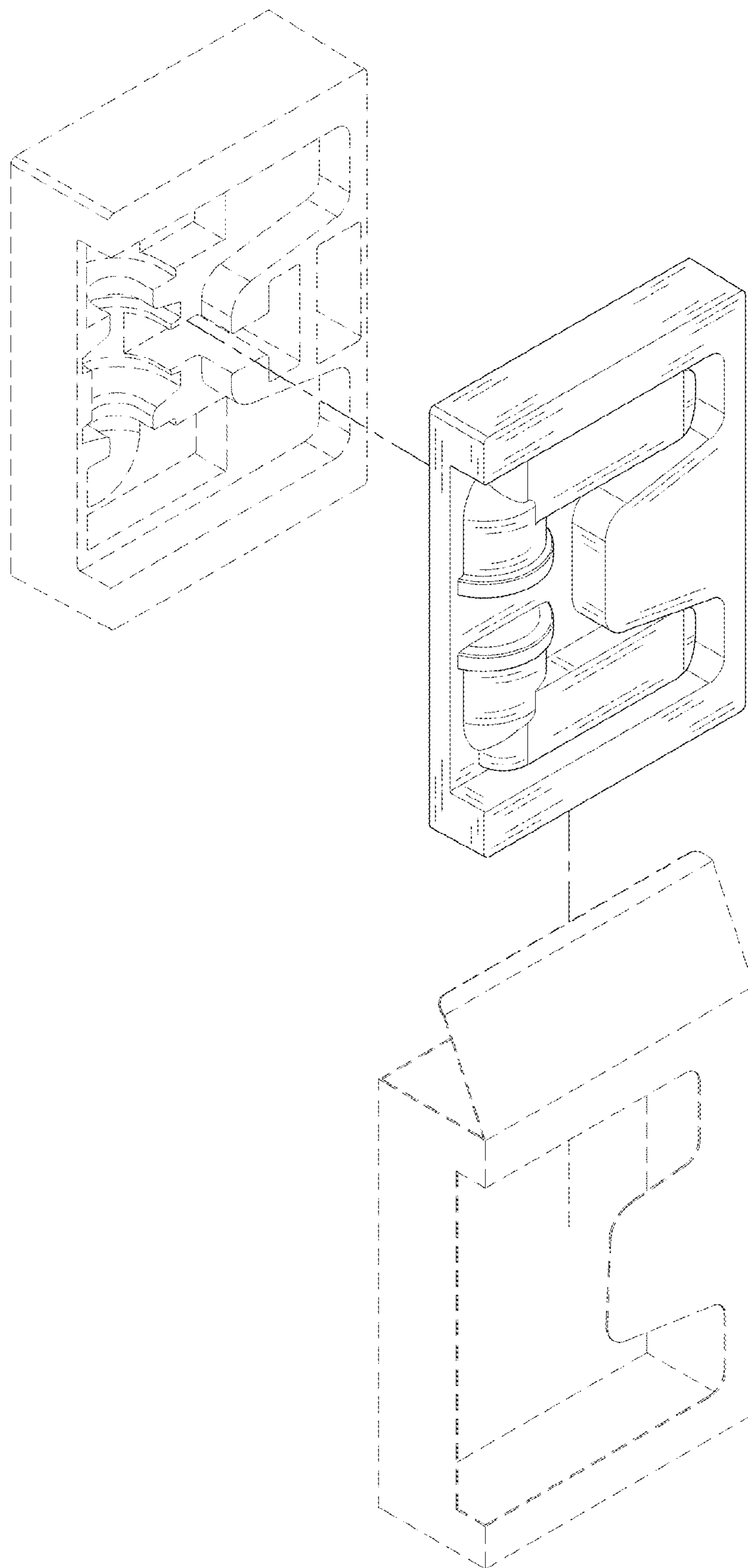


FIG.8