



US00D915190S

(12) **United States Design Patent** (10) **Patent No.:** **US D915,190 S**  
**Yuan et al.** (45) **Date of Patent:** **\*\* Apr. 6, 2021**

(54) **LOCK PACKAGE**

(71) Applicant: **TAIWAN FU HSING INDUSTRIAL CO., LTD.**, Kaohsiung (TW)

(72) Inventors: **Shih-Ting Yuan**, Kaohsiung (TW);  
**Wan-Lin Hsieh**, Kaohsiung (TW)

(73) Assignee: **Taiwan Fu Hsing Industrial Co., Ltd.**, Kaohsiung (TW)

(\*\*) Term: **15 Years**

(21) Appl. No.: **29/726,399**

(22) Filed: **Mar. 3, 2020**

(30) **Foreign Application Priority Data**

Dec. 17, 2019 (TW) ..... 108307811

(51) **LOC (13) Cl.** ..... **09-03**

(52) **U.S. Cl.**  
USPC ..... **D9/424; D9/415**

(58) **Field of Classification Search**  
USPC ..... D9/414, 415, 423, 424, 425, 430, 737;  
D7/400, 553.1, 553.2, 554.3, 545, 555,  
D7/601, 602, 629, 630  
CPC ..... B65D 1/36; B65D 71/70; B65D  
2543/00296; B65D 1/34; B65D  
2571/0066; B65D 5/4204  
See application file for complete search history.

(56) **References Cited**

**U.S. PATENT DOCUMENTS**

D437,216 S \* 2/2001 Saputo ..... D9/415  
D504,811 S \* 5/2005 Haingaertner ..... D9/415  
D506,130 S \* 6/2005 Metaxatos ..... D9/415

D596,030 S \* 7/2009 Liipola ..... D9/456  
D642,048 S \* 7/2011 Ocampo ..... D9/424  
D767,988 S \* 10/2016 Wu ..... D9/424  
D817,172 S \* 5/2018 Jones ..... D9/456  
D826,714 S \* 8/2018 Pipes ..... D9/456  
D841,460 S \* 2/2019 Toledo ..... D9/425  
2010/0308038 A1 \* 12/2010 Davidson ..... B65D 81/264  
220/4.21  
2014/0034547 A1 \* 2/2014 Bontrager ..... B65D 81/022  
206/588  
2015/0114855 A1 \* 4/2015 Glick ..... B65D 81/18  
206/204  
2017/0297803 A1 \* 10/2017 Chambers ..... B65D 77/042

\* cited by examiner

*Primary Examiner* — Lauren R Calve

(74) *Attorney, Agent, or Firm* — Rosenberg, Klein & Lee

(57) **CLAIM**

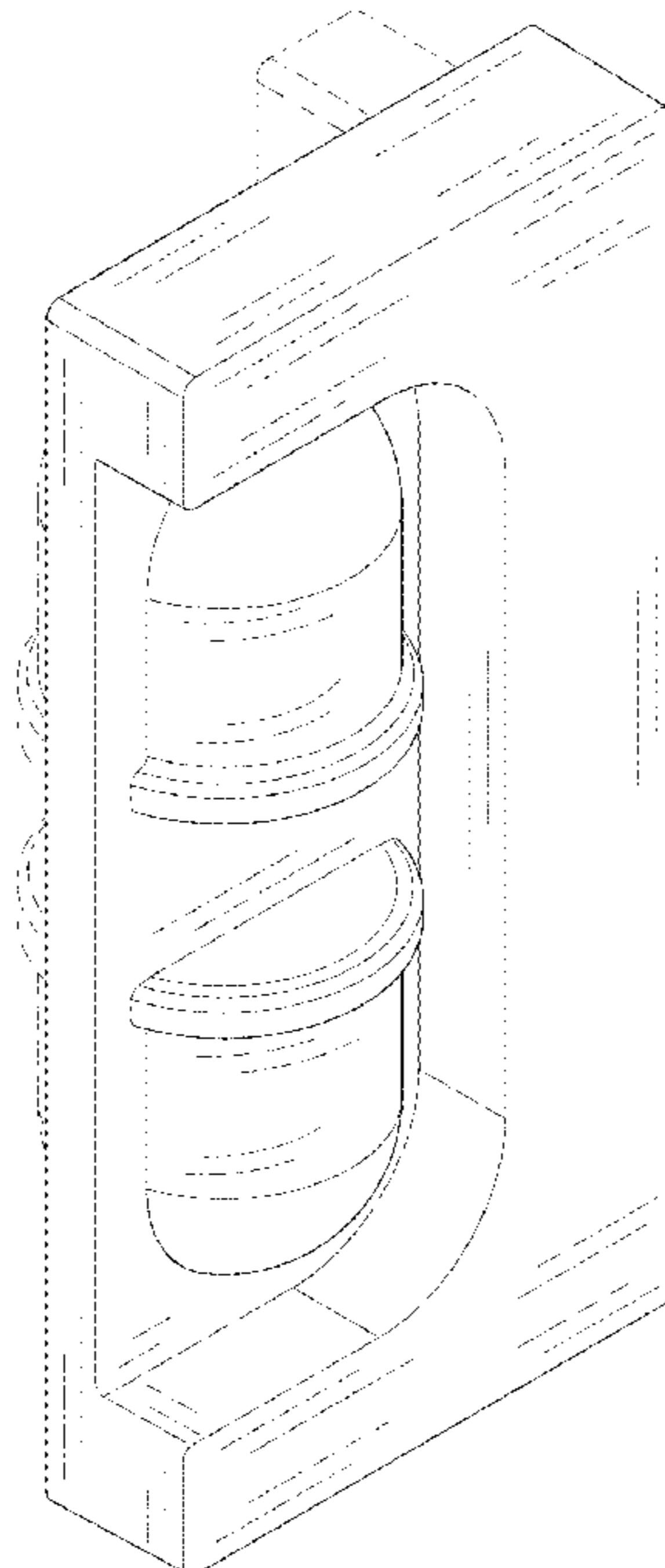
The ornamental design for a lock package, as shown and described.

**DESCRIPTION**

FIG. 1 is a perspective view of the lock package showing our new design;  
FIG. 2 is a front elevational view thereof;  
FIG. 3 is a left side elevational view thereof;  
FIG. 4 is a right side elevational view thereof;  
FIG. 5 is a top plan view thereof;  
FIG. 6 is a bottom plan view thereof;  
FIG. 7 is another perspective view thereof; and,  
FIG. 8 is a reference exploded view in usage.  
The rear view forms no part of the claimed design and is omitted.

The broken line illustration of environmental structure in the drawings form no part of the claimed design.

**1 Claim, 8 Drawing Sheets**



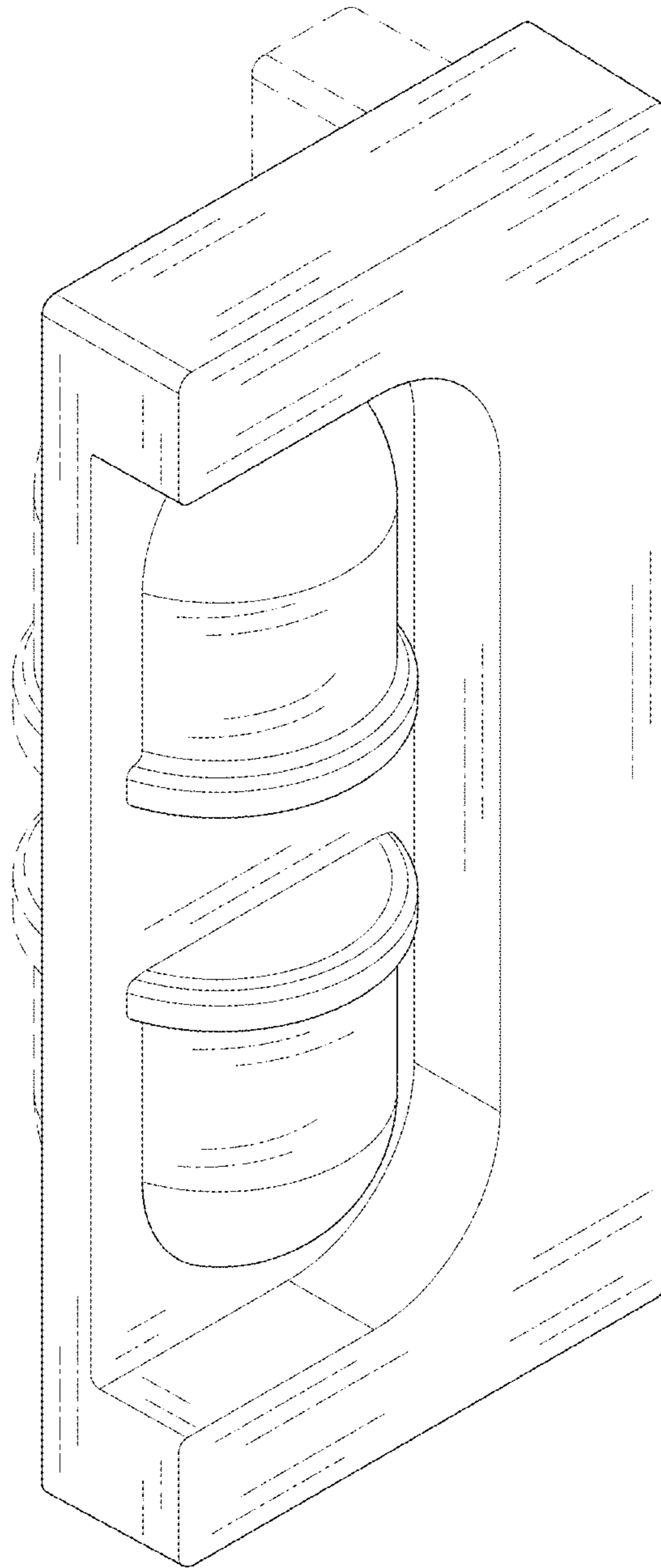


FIG.1

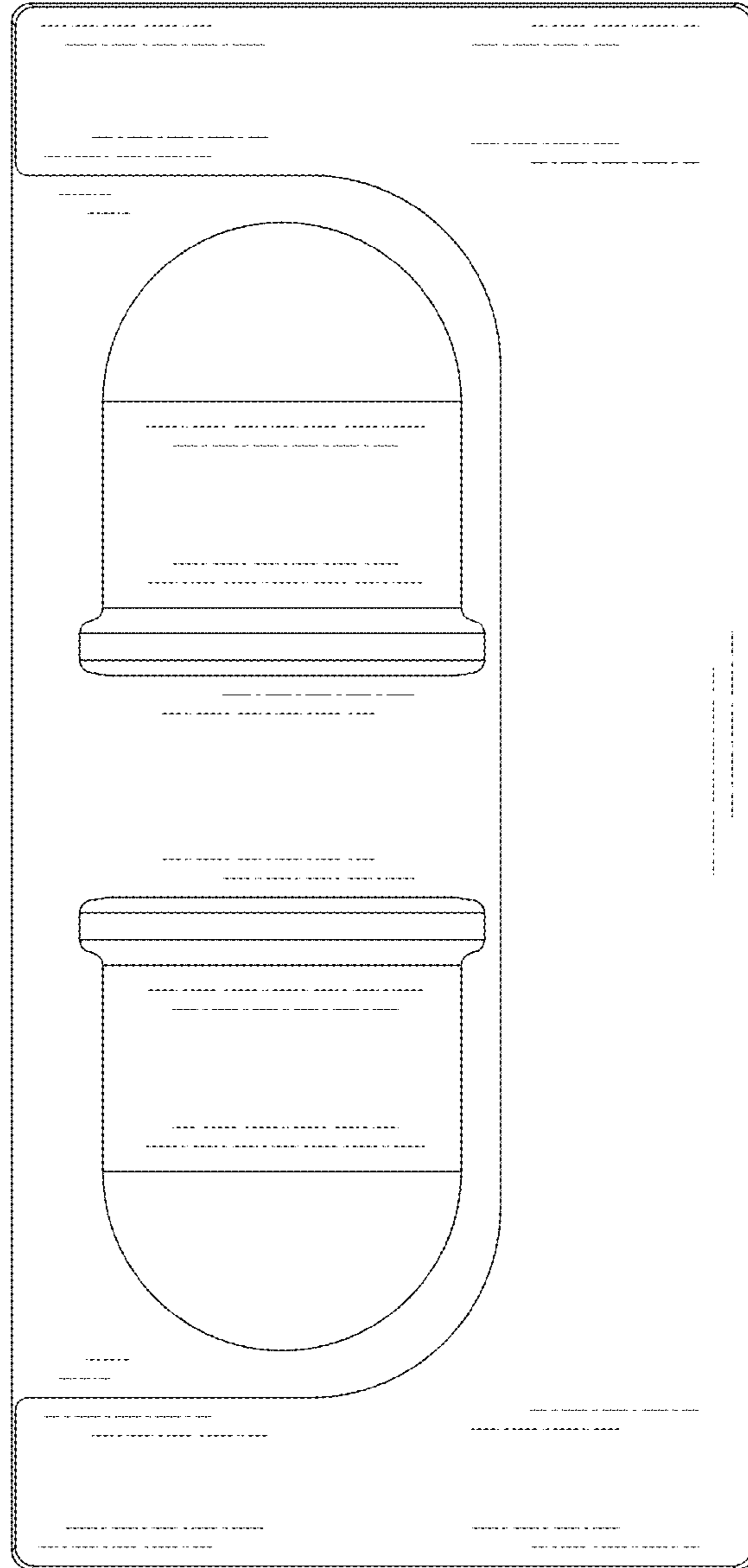


FIG.2

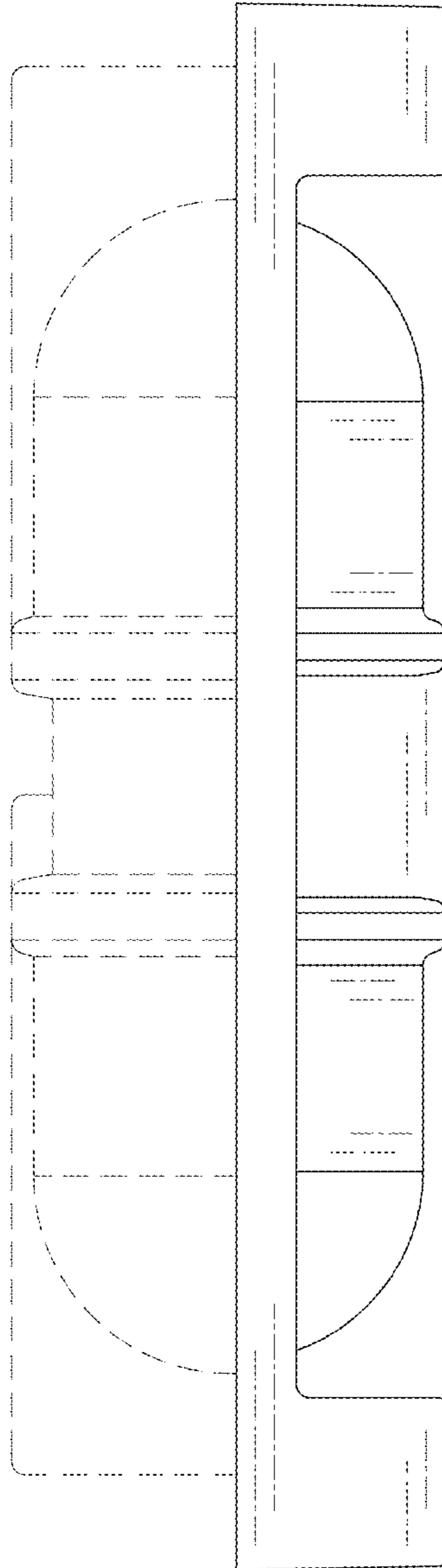


FIG.3

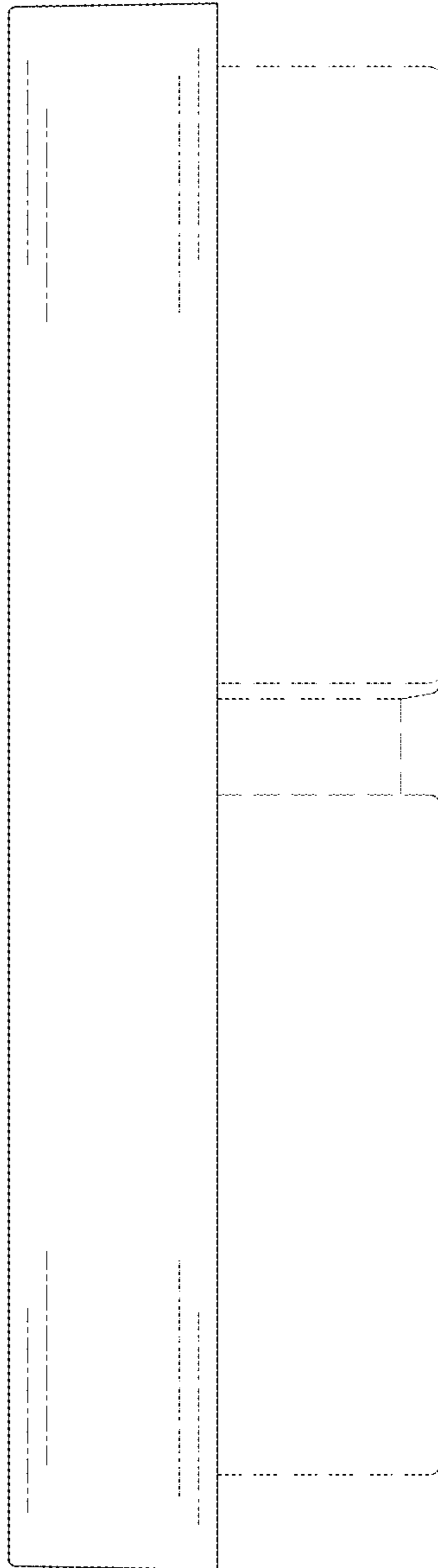


FIG.4

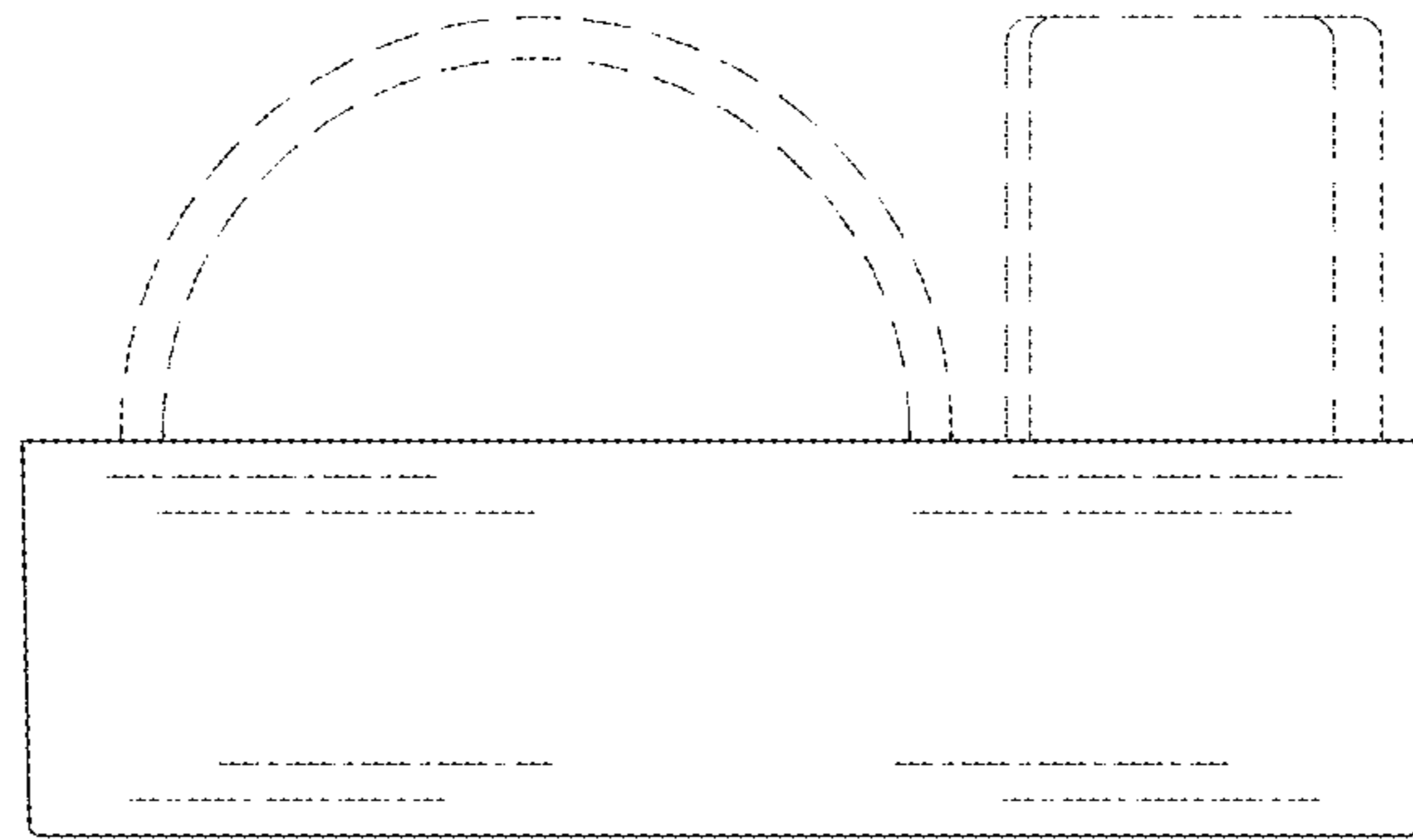


FIG.5

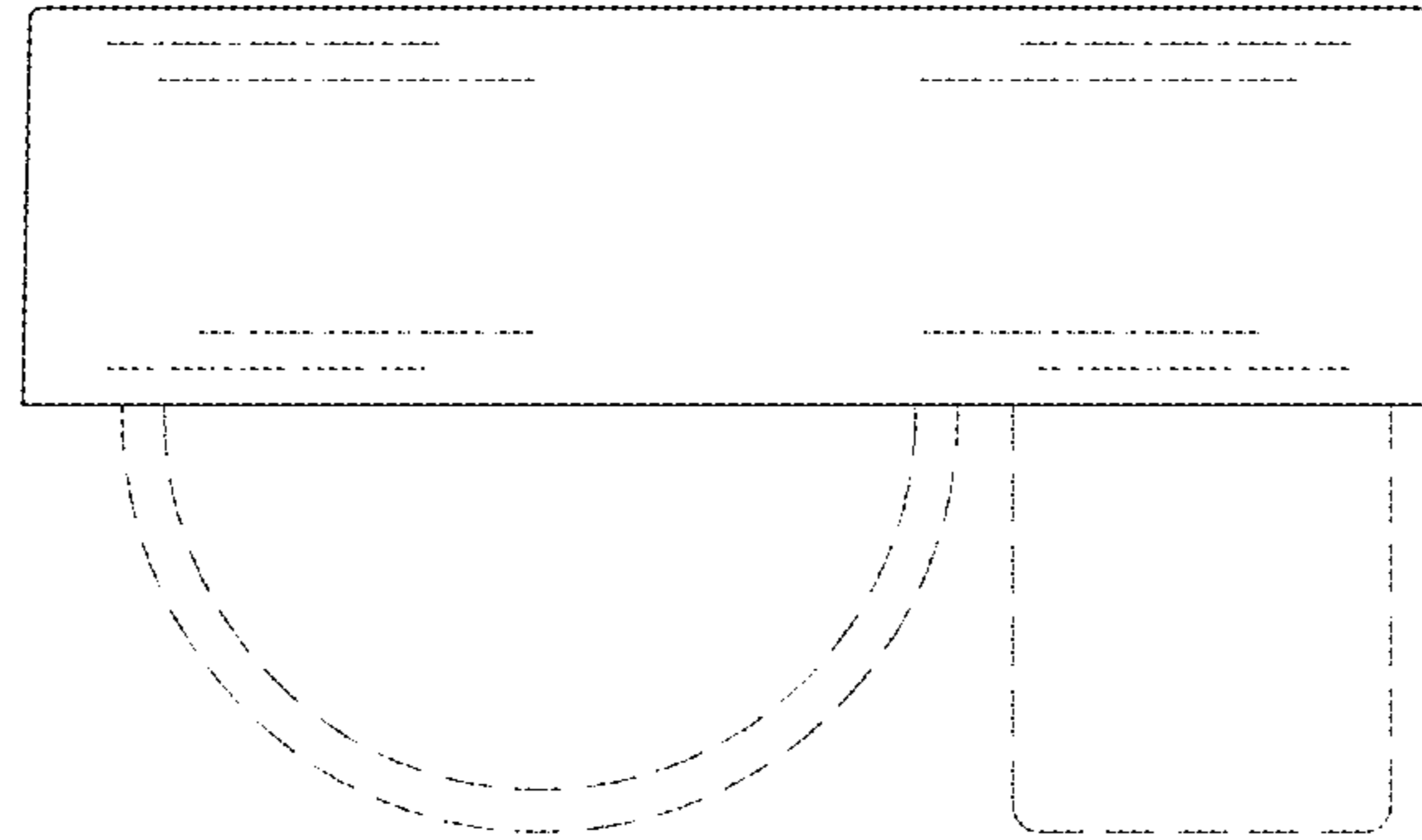


FIG.6

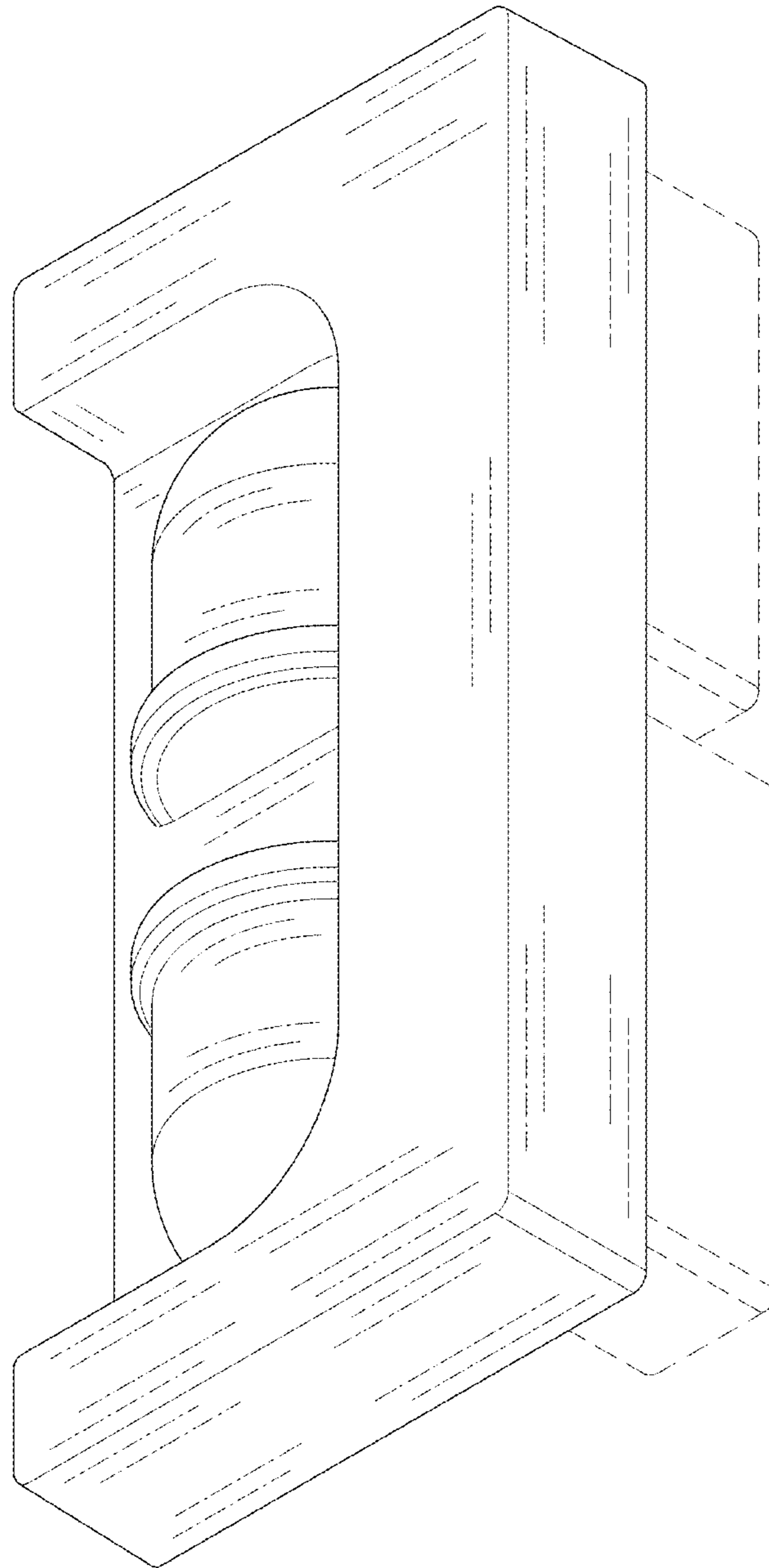


FIG.7



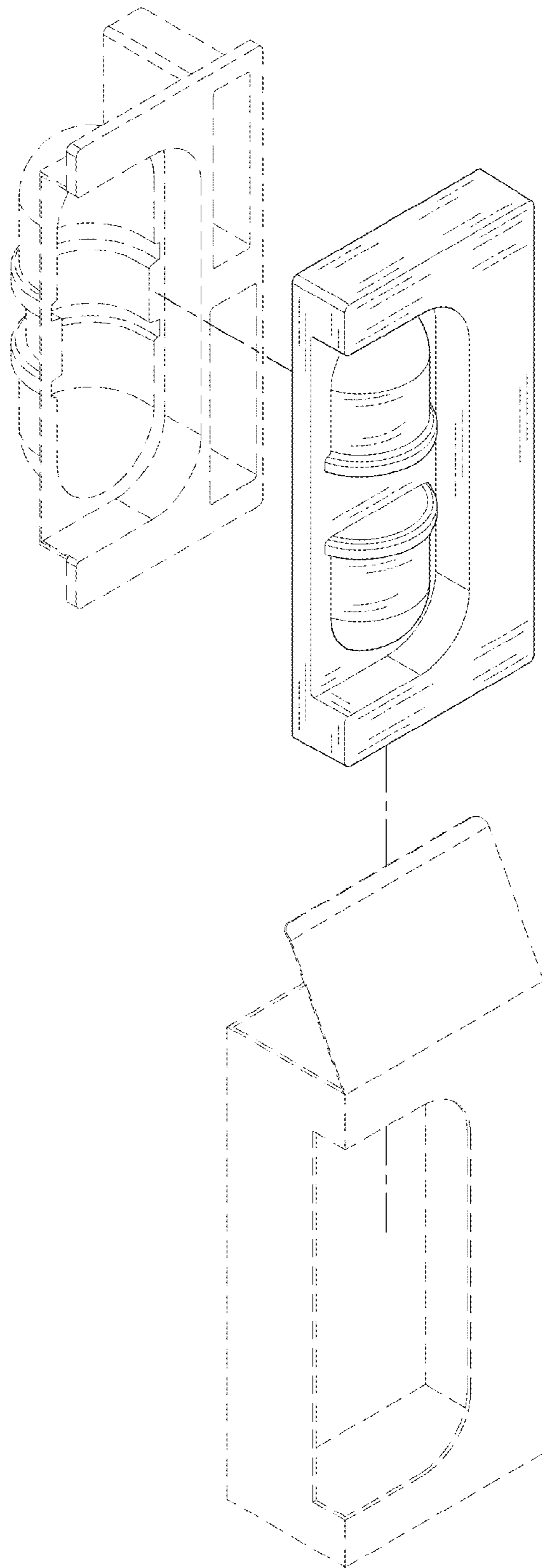


FIG.8