



US00D915189S

(12) **United States Design Patent**  
**Ritter et al.**

(10) **Patent No.:** **US D915,189 S**

(45) **Date of Patent:** **\*\* Apr. 6, 2021**

- (54) **PACIFIER BOX**
- (71) Applicant: **MAPA GmbH**, Zeven (DE)
- (72) Inventors: **Joana Ritter**, Berlin (DE); **Andrea Baumann**, Berlin (DE)
- (73) Assignee: **MAPA GmbH**, Zeven (DE)
- (\*\*) Term: **15 Years**
- (21) Appl. No.: **29/659,389**
- (22) Filed: **Aug. 8, 2018**
- (30) **Foreign Application Priority Data**  
 Feb. 8, 2018 (EM) ..... 004702199
- (51) **LOC (13) Cl.** ..... **09-03**
- (52) **U.S. Cl.**  
 USPC ..... **D9/420**
- (58) **Field of Classification Search**  
 USPC ..... D9/414-420, 723, 519, 504, 428, 717,  
 D9/443, 503, 518, 689, 526, 746, 662,  
 D9/522, 646, 500, 520; D3/203.1, 273,  
 D3/263, 302, 294; D7/602, 703, 542,  
 D7/538, 317; D21/398; D28/59, 85;  
 D24/217, 194; D15/199; D20/37;  
 D11/128, 164; D26/11; D32/1  
 CPC .. B65D 1/0223; D04B 3/06; A61J 1/03; A61J  
 17/113  
 See application file for complete search history.

- D362,929 S \* 10/1995 Strong ..... D32/1
- D401,887 S \* 12/1998 Yang ..... D11/164
- D406,368 S \* 3/1999 Joergensen ..... D26/11
- D452,373 S \* 12/2001 Horntrich ..... A61J 17/113
- D484,810 S \* 1/2004 Rosen ..... B65D 1/0223
- D502,807 S \* 3/2005 Jaron ..... D3/273
- D529,397 S \* 10/2006 Lavigne ..... D9/689
- D530,911 S \* 10/2006 Guitay ..... D3/273
- D568,086 S \* 5/2008 Brown ..... D7/317
- D581,540 S \* 11/2008 Nielsen ..... D24/194
- D588,007 S \* 3/2009 Limongi ..... D9/443
- D601,383 S \* 10/2009 Shah ..... D7/538
- D613,607 S \* 4/2010 Yokota ..... D9/522
- D661,160 S \* 6/2012 Shah ..... D7/538
- D671,367 S \* 11/2012 Shah ..... D7/542
- D686,743 S \* 7/2013 Gooch ..... D24/217
- D689,618 S \* 9/2013 Valderrama ..... D24/194
- D704,349 S \* 5/2014 Williams ..... D24/217
- D718,148 S \* 11/2014 Marret ..... D9/717
- D723,416 S \* 3/2015 Geren ..... D11/128
- D727,742 S \* 4/2015 Jacobs ..... D9/662
- D731,301 S \* 6/2015 Recht ..... D9/415
- D735,415 S \* 7/2015 Thompson ..... D28/85
- D791,587 S \* 7/2017 Buck ..... D9/428

(Continued)

*Primary Examiner* — Rhea Shields

(57) **CLAIM**

The ornamental design for a pacifier box, as shown.

**DESCRIPTION**

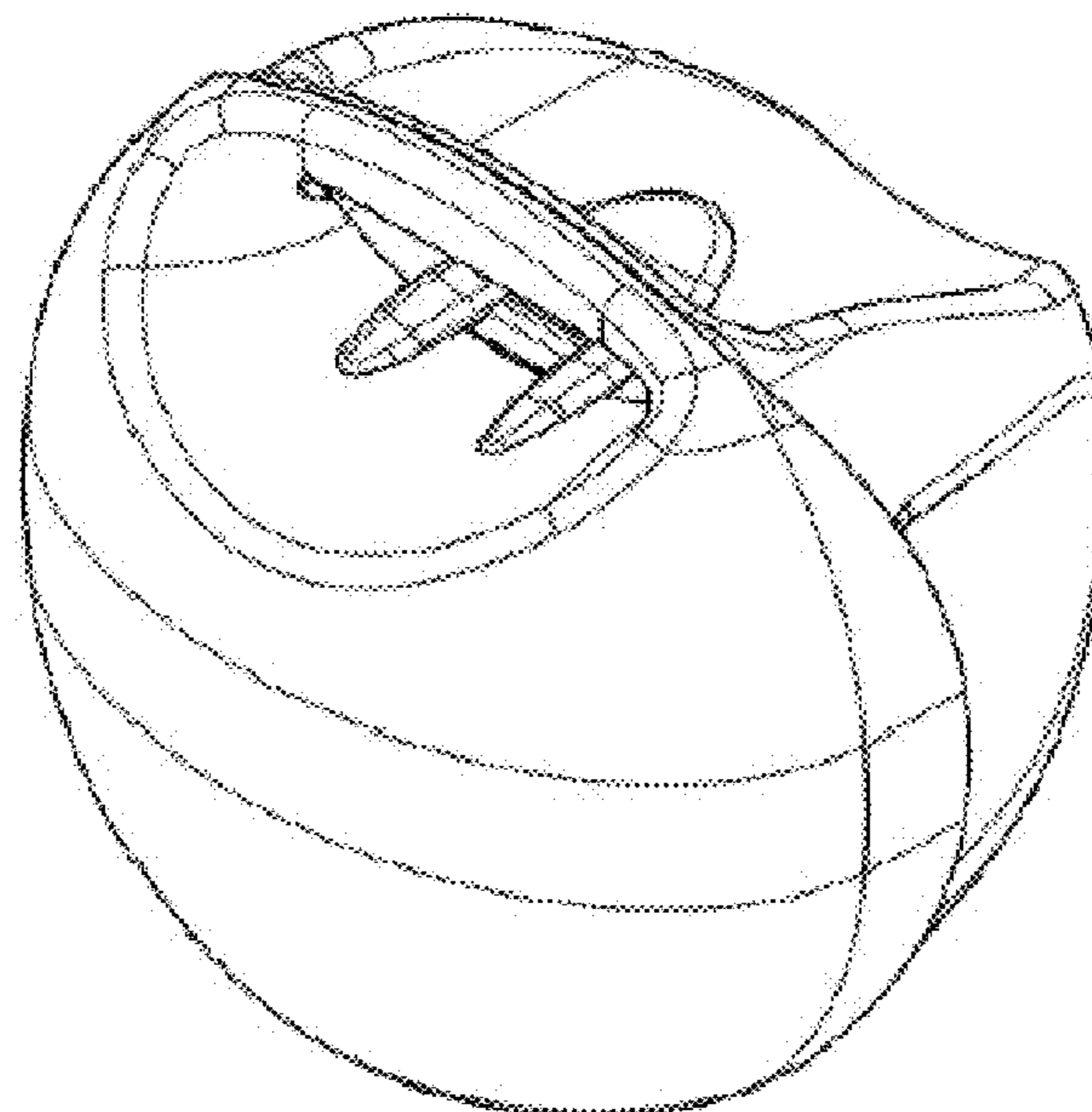
- FIG. 1 is a perspective view of pacifier box, showing our design;
- FIG. 2 is a front view thereof;
- FIG. 3 is a right view thereof;
- FIG. 4 is a left view thereof;
- FIG. 5 is a top view thereof;
- FIG. 6 is a bottom view thereof; and,
- FIG. 7 is a back view thereof.

**1 Claim, 7 Drawing Sheets**

(56) **References Cited**

U.S. PATENT DOCUMENTS

- D255,988 S \* 7/1980 Mascia ..... D9/518
- D281,398 S \* 11/1985 Kesselring ..... D9/414
- D323,615 S \* 2/1992 Carlstrom ..... D9/746
- D333,784 S \* 3/1993 Goodman ..... D3/302



(56)

**References Cited**

U.S. PATENT DOCUMENTS

D803,060	S	*	11/2017	Marina	.....	D9/504
D814,301	S	*	4/2018	Weinrich	.....	D9/503
D819,748	S	*	6/2018	Luk	.....	D21/398
D820,914	S	*	6/2018	Sitnic	.....	D20/37
D822,490	S	*	7/2018	Ruleman, Jr.	.....	D9/500
D832,326	S	*	10/2018	Lee	.....	D15/199
D840,822	S	*	2/2019	Kimai	.....	D9/504
D842,110	S	*	3/2019	Marina	.....	D9/504
D852,054	S	*	6/2019	Seduikis	.....	D9/646
D858,097	S	*	9/2019	Natsume	.....	D3/263
10,407,806	B2	*	9/2019	Sullivan	.....	D04B 3/06
D864,727	S	*	10/2019	Lehanneur	.....	D9/526
D868,992	S	*	12/2019	Ma	.....	D24/217
D872,370	S	*	1/2020	Khubani	.....	D28/59
D876,818	S	*	3/2020	Lieberman	.....	D3/203.1
D889,972	S	*	7/2020	Hesse	.....	D9/519
D891,938	S	*	8/2020	Weinrich	.....	D9/723
2018/0256448	A1	*	9/2018	Hesse	.....	A61J 1/03

\* cited by examiner

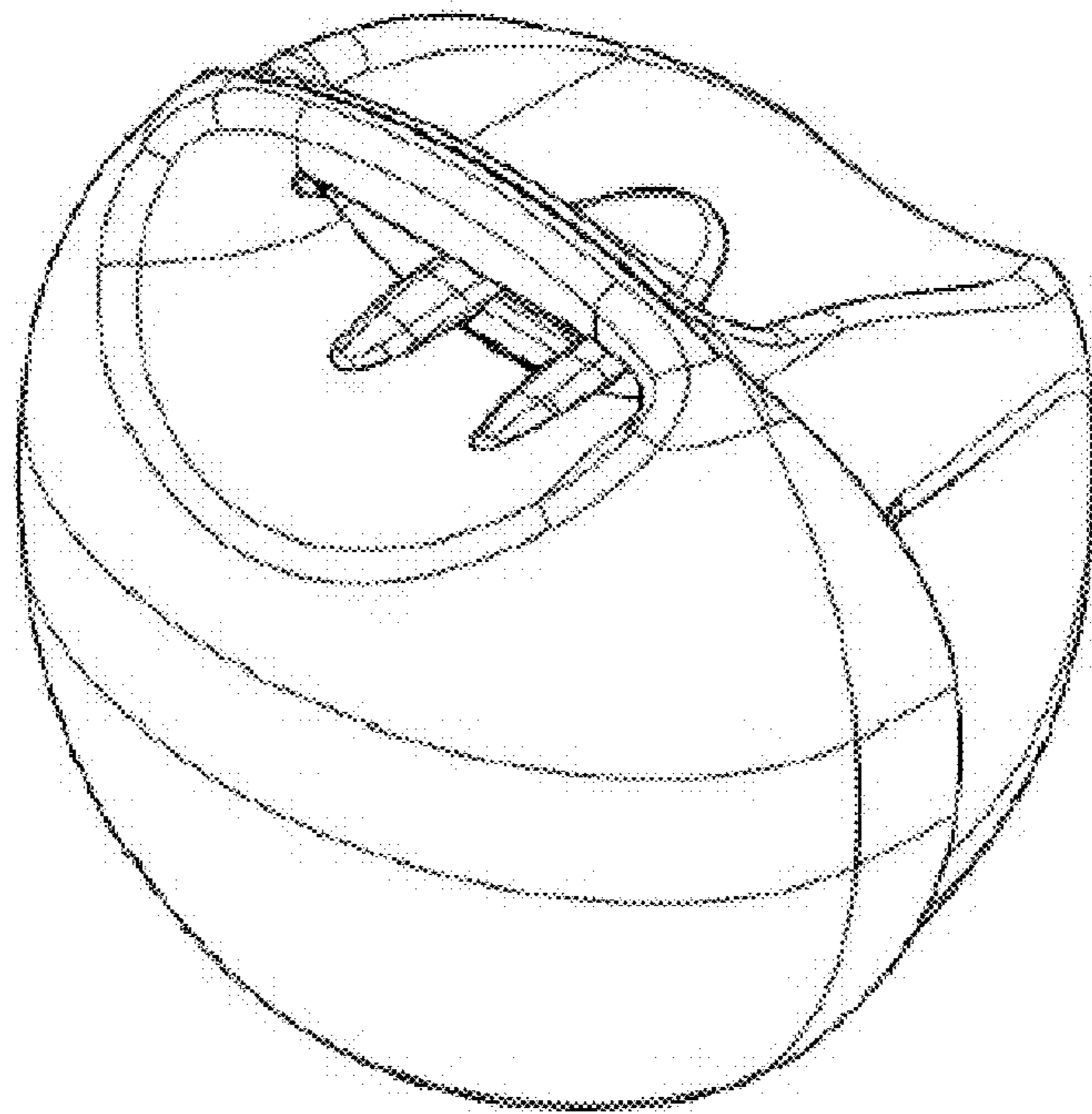


FIG. 1

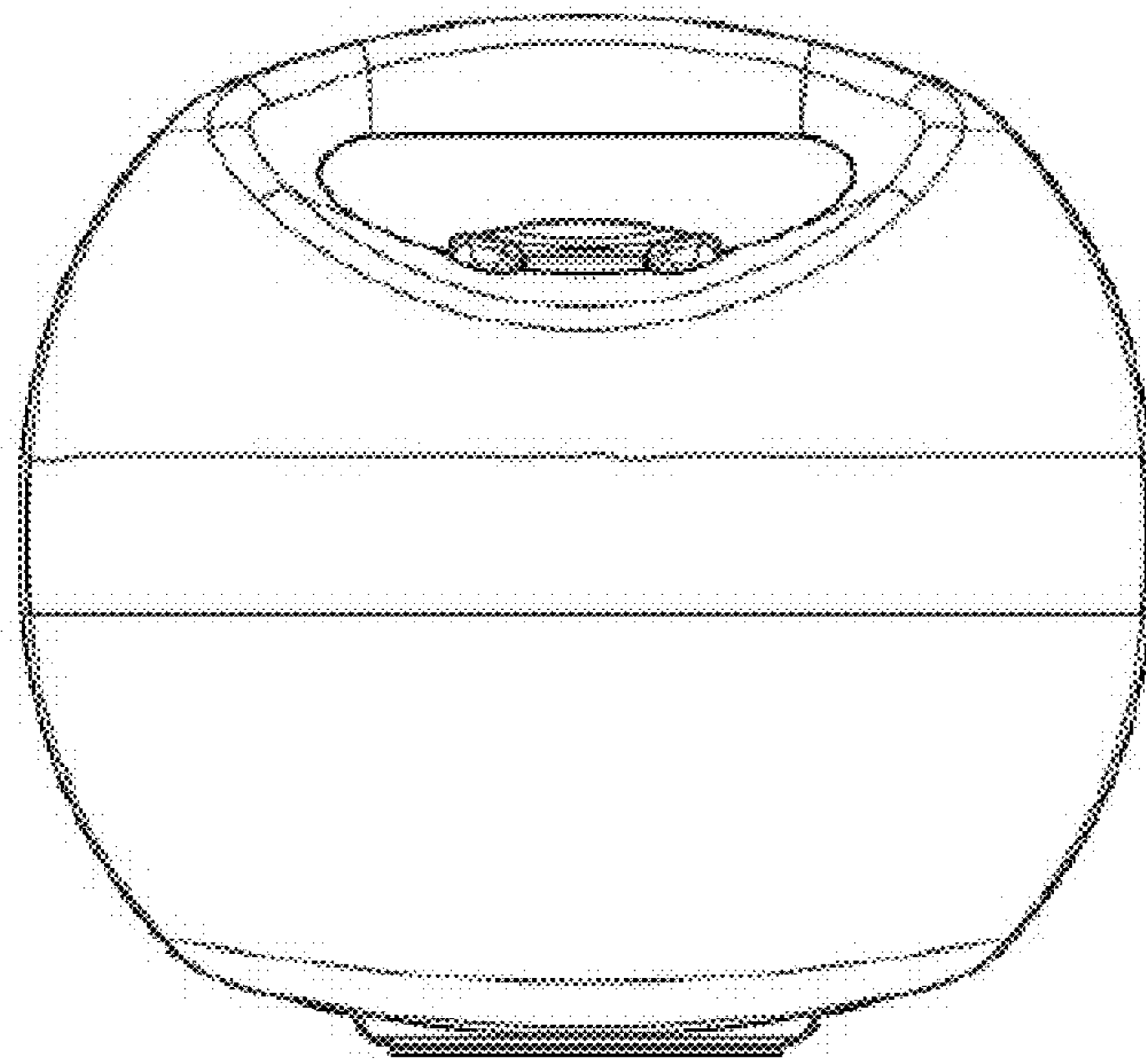


FIG. 2

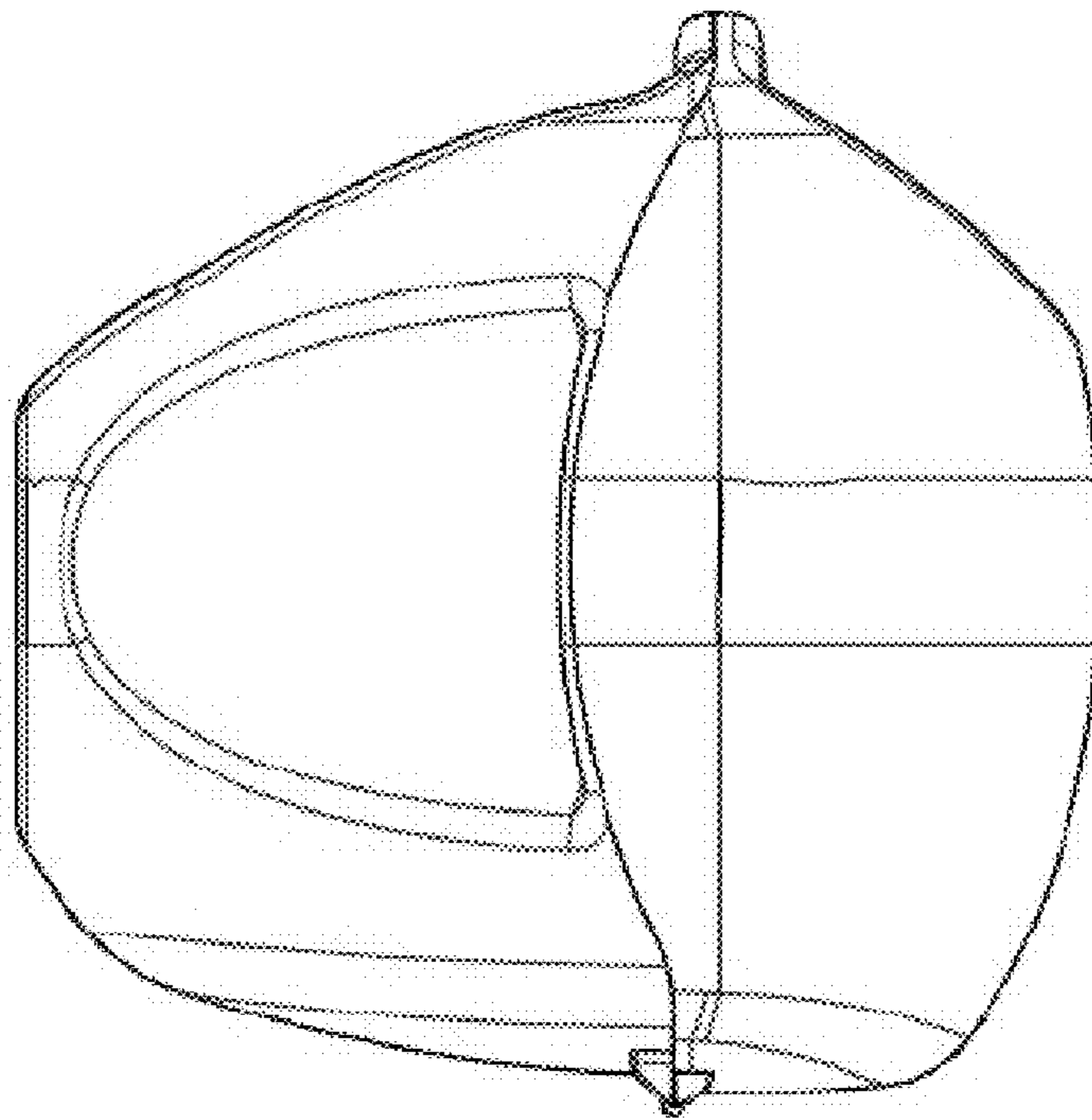


FIG. 3



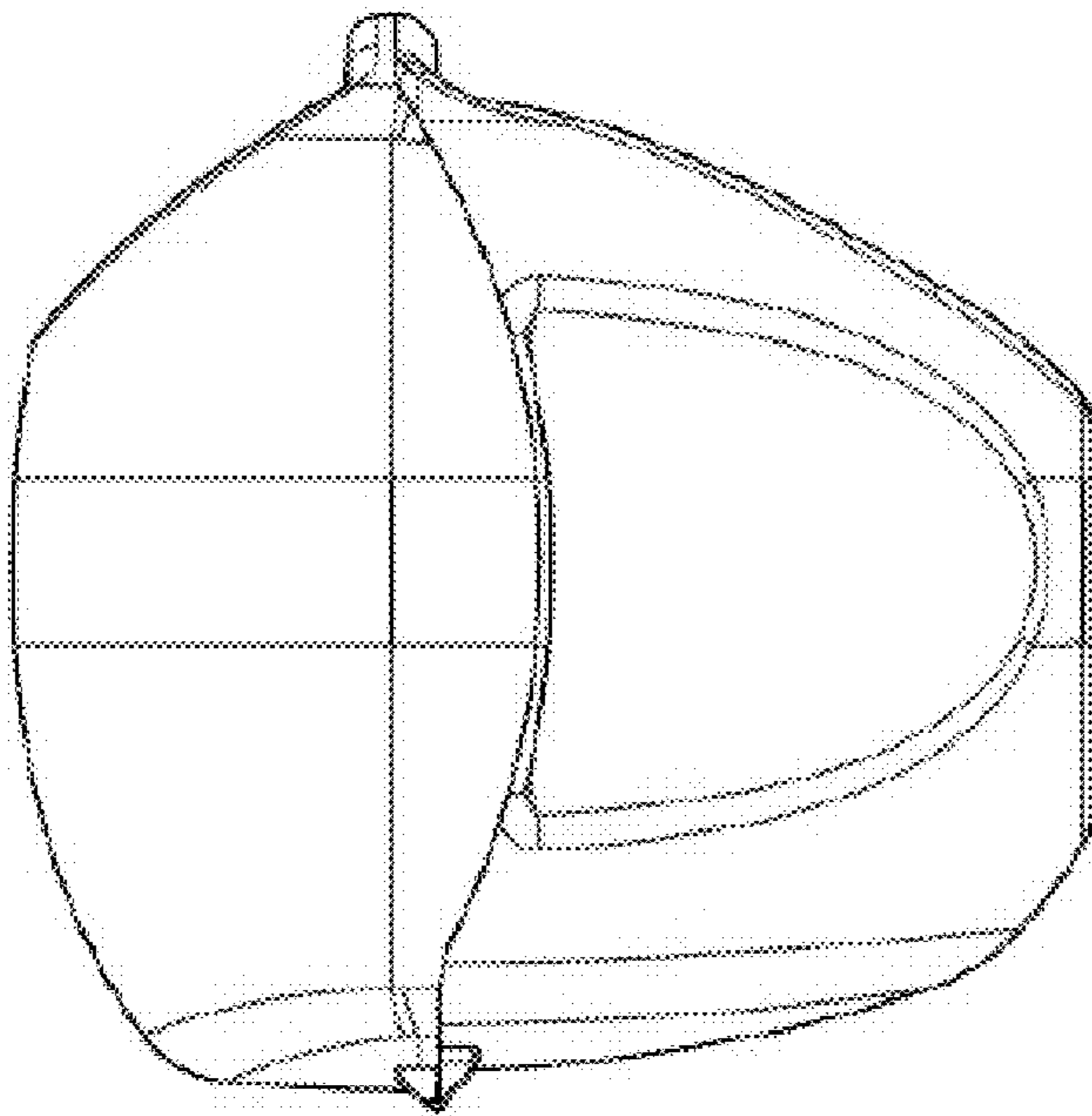


FIG. 4

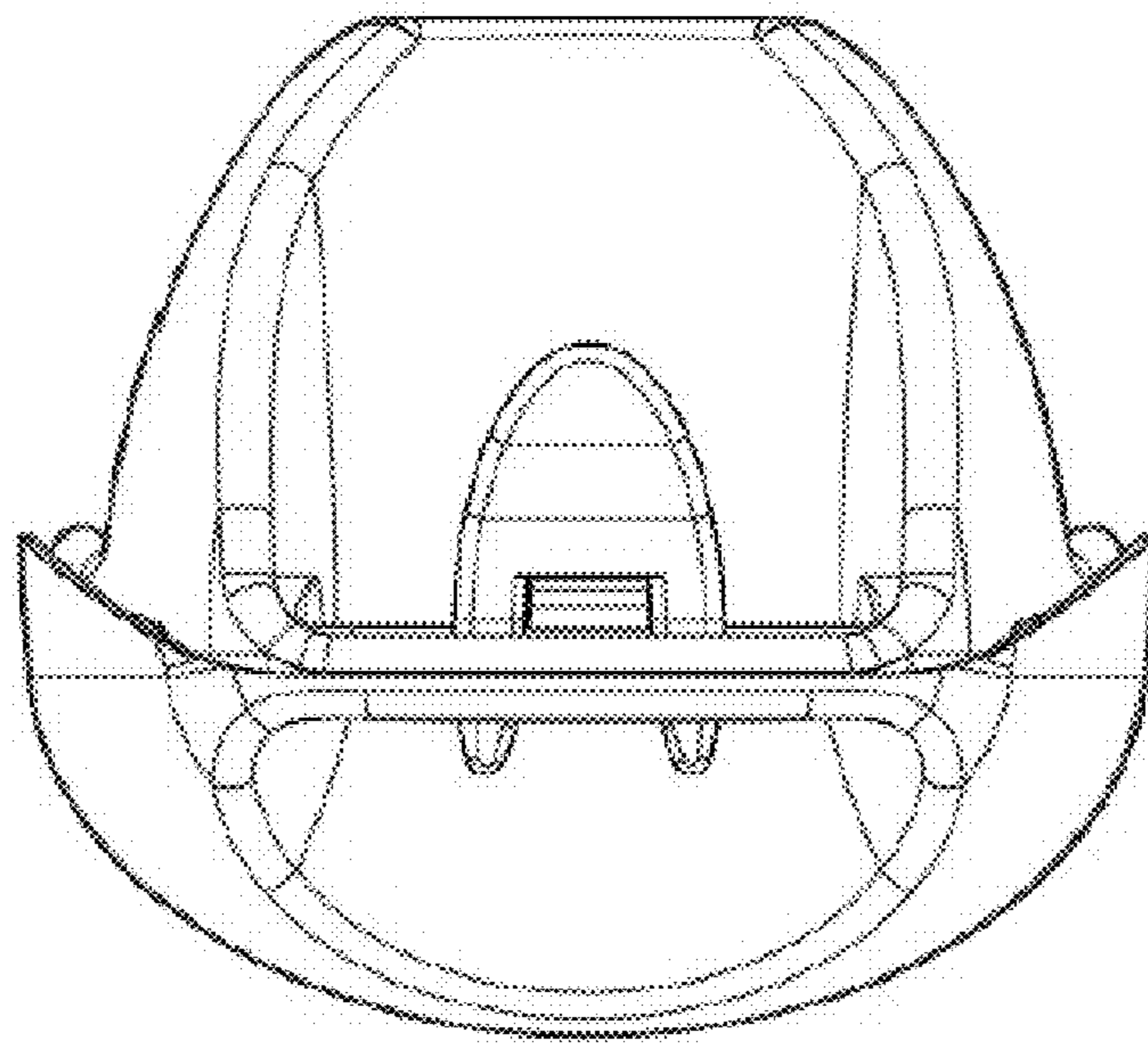


FIG. 5

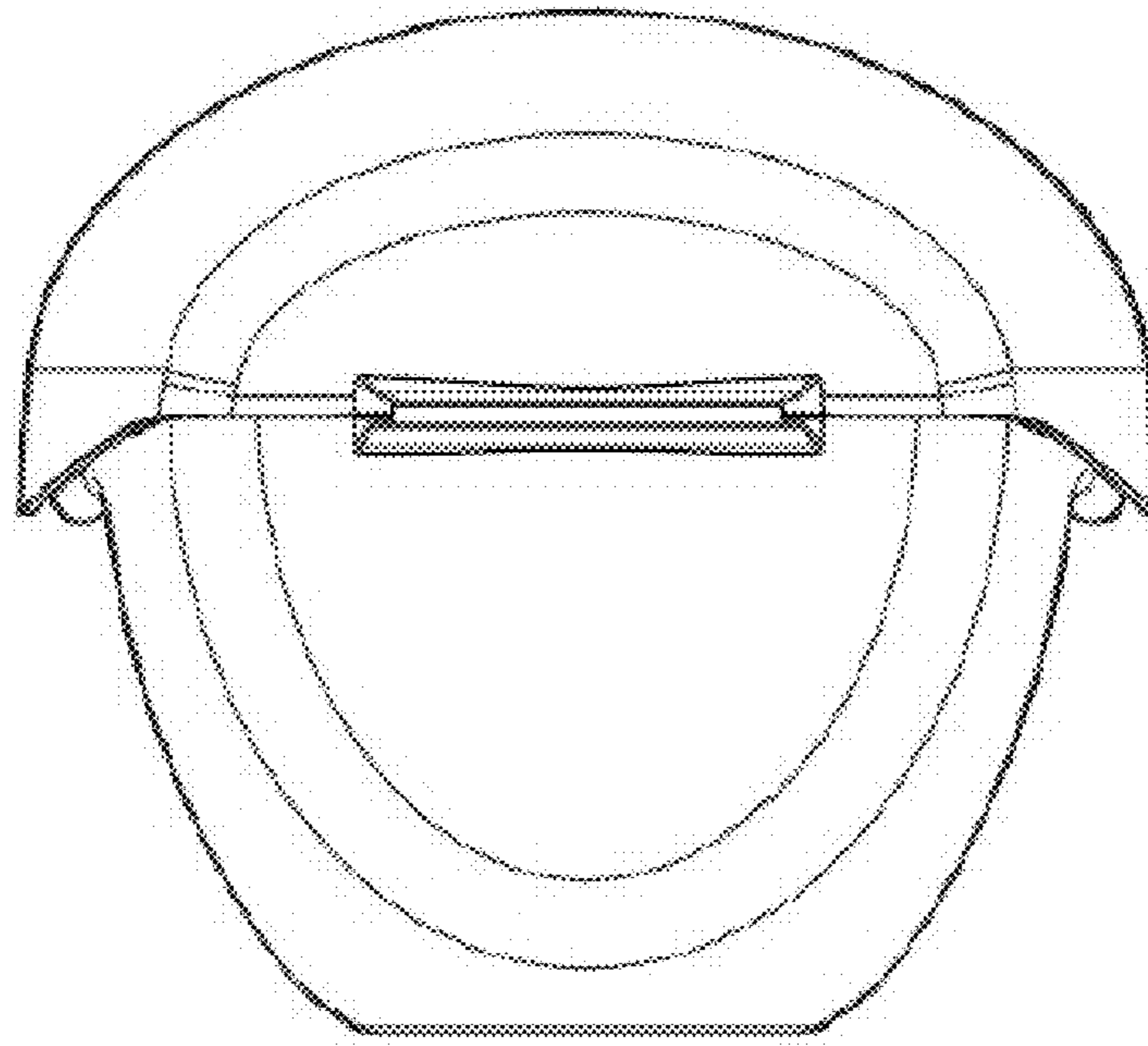


FIG. 6



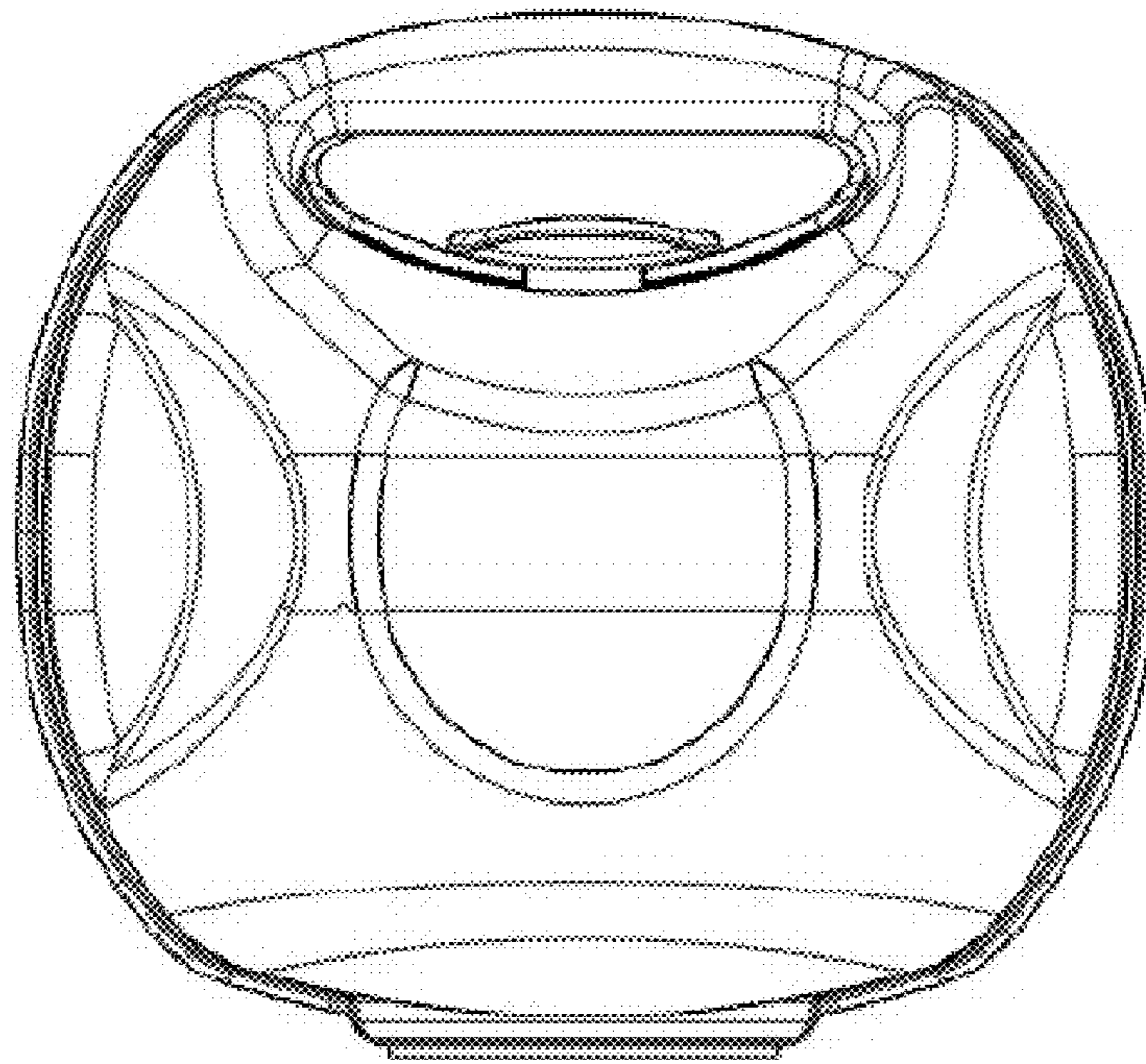


FIG. 7