



US00D915187S

(12) **United States Design Patent**
Huang

(10) **Patent No.:** **US D915,187 S**

(45) **Date of Patent:** **** Apr. 6, 2021**

(54) **PRESS FIT LUG NUT COVER WITH JEWEL**

(71) Applicant: **Nan Huang Huang**, Rancho Dominguez, CA (US)

(72) Inventor: **Nan Huang Huang**, Rancho Dominguez, CA (US)

(**) Term: **15 Years**

(21) Appl. No.: **29/709,048**

(22) Filed: **Oct. 10, 2019**

(51) **LOC (13) Cl.** **08-08**

(52) **U.S. Cl.**
USPC **D8/397**

(58) **Field of Classification Search**
USPC D8/356, 354, 349, 397, 394, 382;
D30/139

CPC A44B 11/04; A44B 11/2557; A44B 11/12;
A44B 11/10; B65H 75/06; B63B 21/045;
E04G 25/065; F16B 41/002

See application file for complete search history.

(56) **References Cited**

U.S. PATENT DOCUMENTS

D243,154 S *	1/1977	Dieme	D8/387
D268,565 S *	4/1983	Mortus	D8/397
4,406,140 A *	9/1983	Wolter	F16B 41/005 70/231
4,420,848 A *	12/1983	Becker	B23K 11/3081 470/22
D298,737 S *	11/1988	Wallace	D8/387
4,850,776 A *	7/1989	Toth	B23K 11/14 411/429
5,302,069 A *	4/1994	Toth	B60B 7/00 411/373
D484,785 S *	1/2004	Plumer	D8/397
D488,715 S *	4/2004	Plumer	D8/397
D510,259 S *	10/2005	Yoshimoto	D8/397
D521,858 S *	5/2006	Roy	D8/397

D583,656 S *	12/2008	Bush	D8/397
D590,243 S *	4/2009	Bush	D8/397
8,016,535 B1 *	9/2011	Roberts	F16B 41/005 411/429
D649,031 S *	11/2011	Rand	D8/397
D675,561 S *	2/2013	Chou	D12/607
D684,455 S *	6/2013	Relyea	D8/397
D746,129 S *	12/2015	Kishida	D8/399
D780,562 S *	3/2017	Baiz	D8/387
D781,691 S *	3/2017	Baiz	D8/387
D786,056 S *	5/2017	Baiz	D8/387
D787,924 S *	5/2017	Baiz	D8/387
D787,927 S *	5/2017	Baiz	D8/397
D796,309 S *	9/2017	Cruz	D8/397
D796,310 S *	9/2017	Baiz	D8/397
D801,167 S *	10/2017	Baiz	D8/397
D809,376 S *	2/2018	Huang	D8/397
D809,910 S *	2/2018	Vargas	D8/397
D821,861 S *	7/2018	Huang	D8/397
D821,862 S *	7/2018	Huang	D8/397
D828,151 S *	9/2018	Huang	D8/397

(Continued)

Primary Examiner — Cynthia R Underwood

(74) *Attorney, Agent, or Firm* — Jen-Feng Lee, Esq.

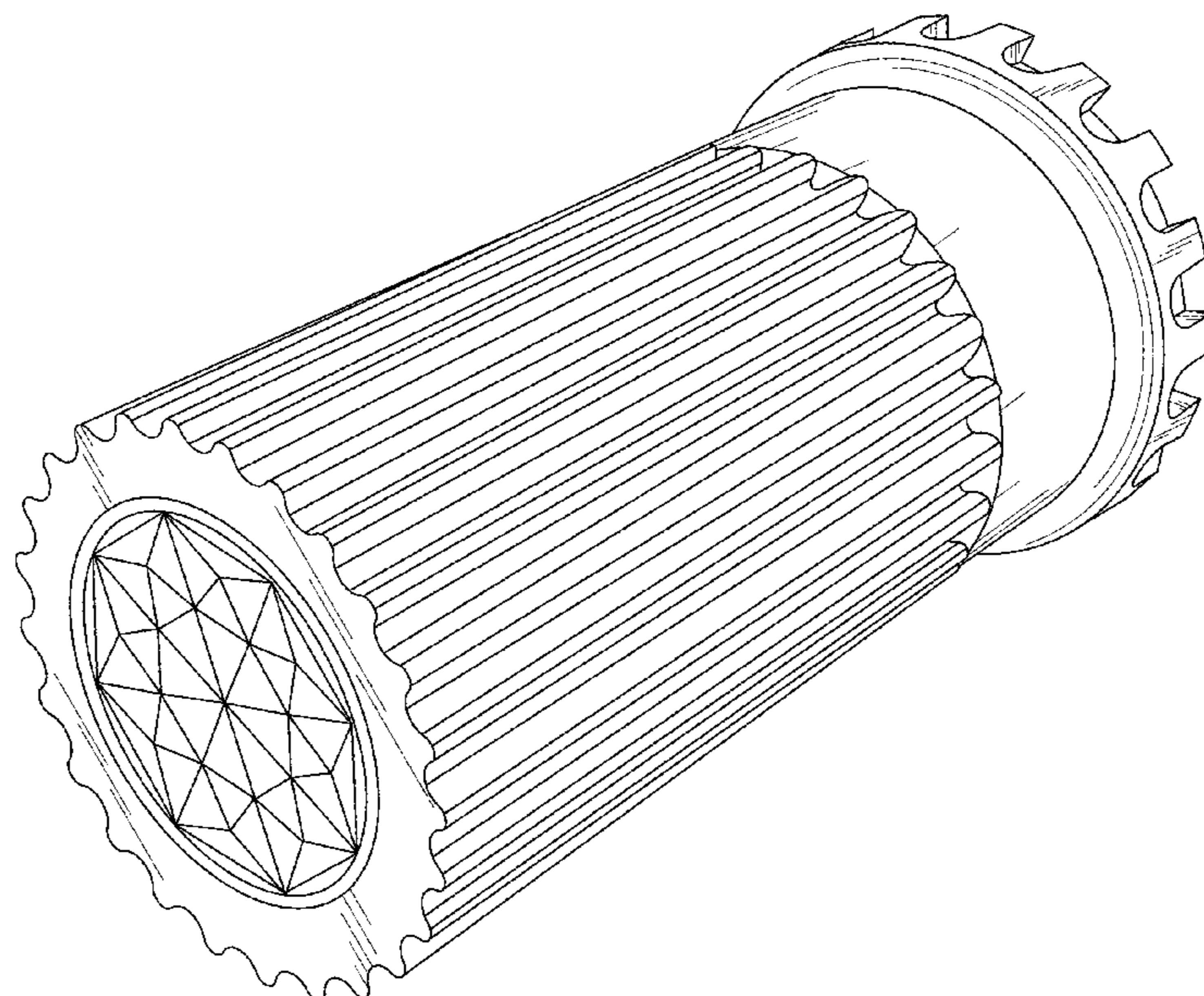
(57) **CLAIM**

The ornamental design for a press fit lug nut cover with jewel, as shown and described.

DESCRIPTION

FIG. 1 is a rear side perspective view of the press fit lug nut cover with jewel, showing my new design;
FIG. 2 is a front side perspective view thereof;
FIG. 3 is a front view thereof;
FIG. 4 is a rear view thereof;
FIG. 5 is left side view thereof;
FIG. 6 is a right side view thereof;
FIG. 7 is a top view thereof; and,
FIG. 8 is a bottom view of the press fit lug nut cover with jewel.

1 Claim, 8 Drawing Sheets



(56)

References Cited

U.S. PATENT DOCUMENTS

D828,152 S *	9/2018	Huang	D8/397
D880,283 S *	4/2020	Fawley	D8/397
2002/0098059 A1 *	7/2002	Schmidt	F16B 37/14 411/399
2013/0071204 A1 *	3/2013	Hunter	B60B 7/068 411/373

* cited by examiner

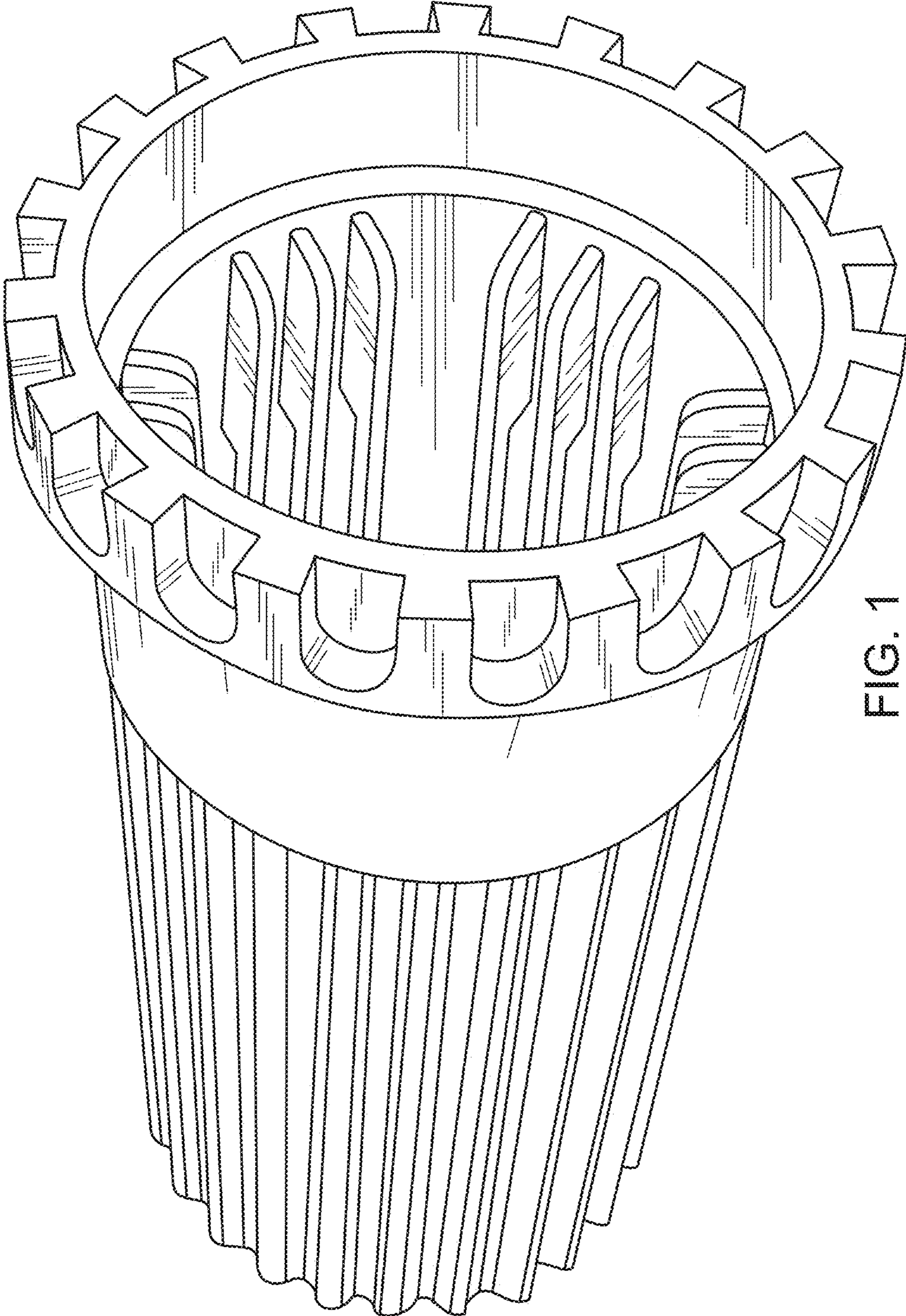


FIG. 1

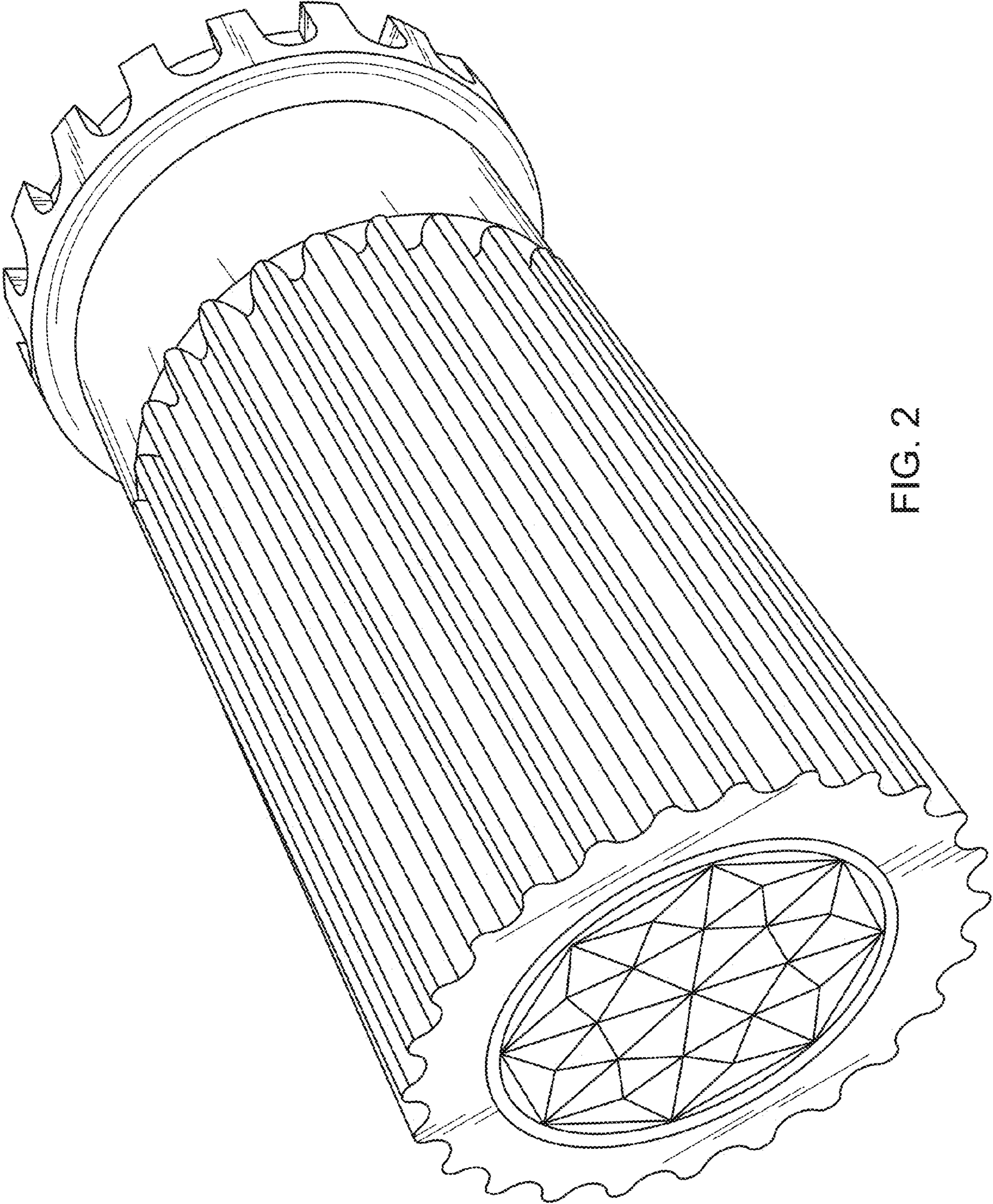


FIG. 2

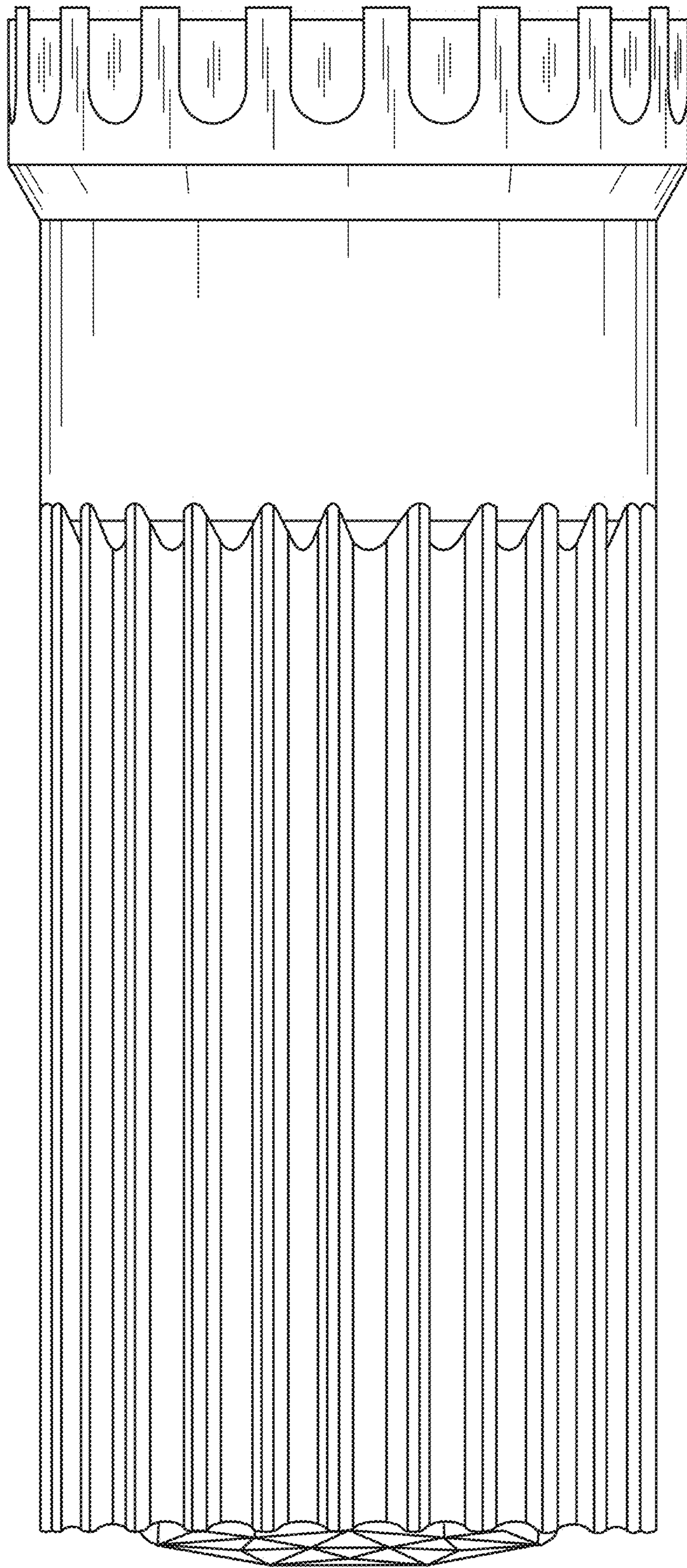


FIG. 3

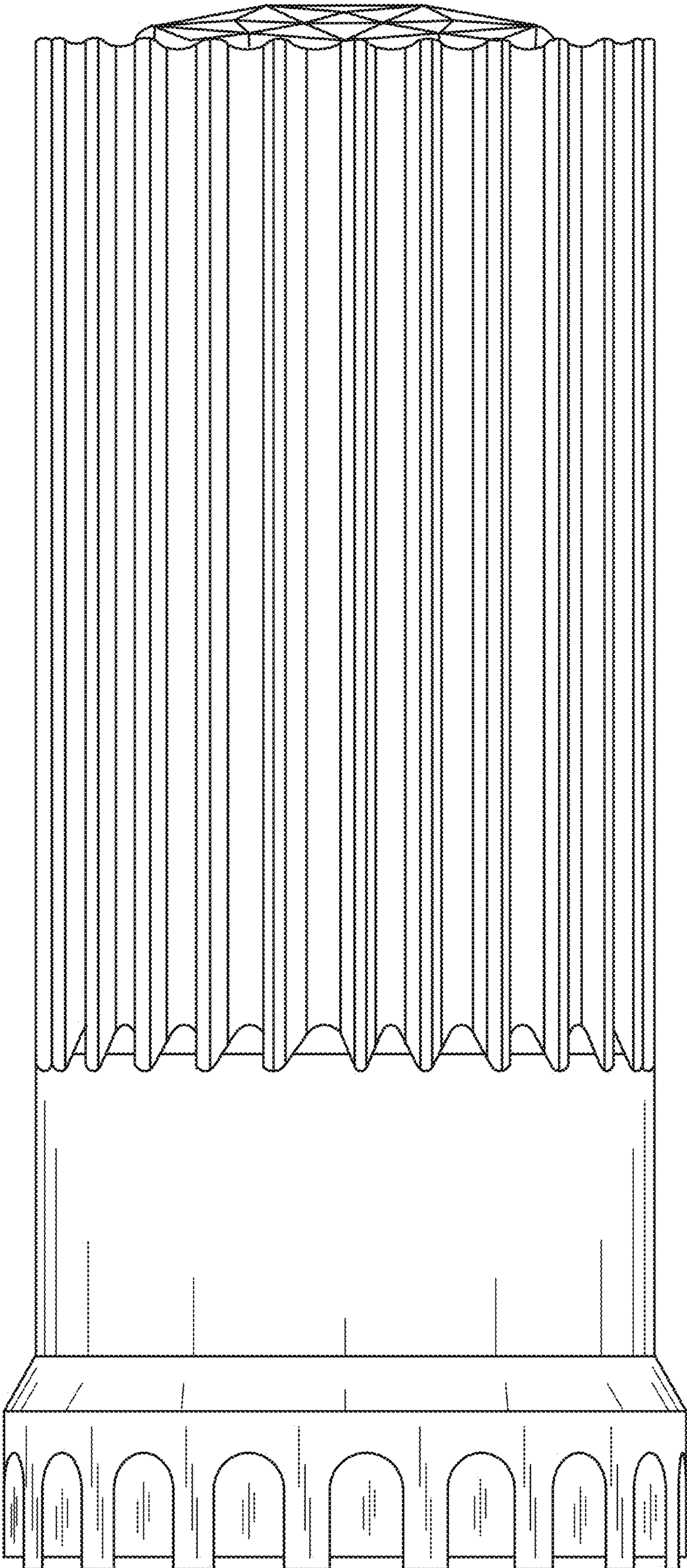


FIG. 4

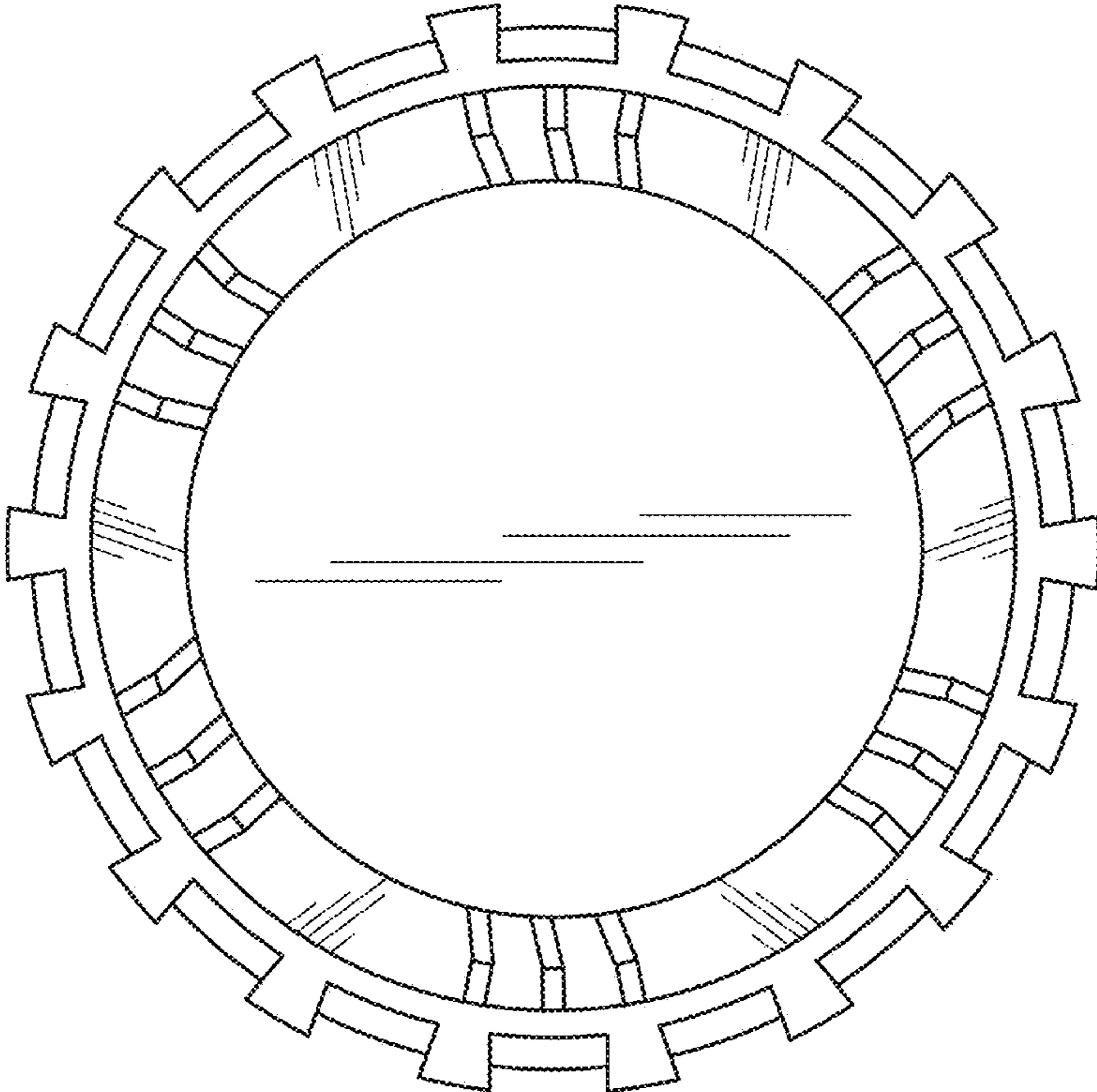


FIG. 5

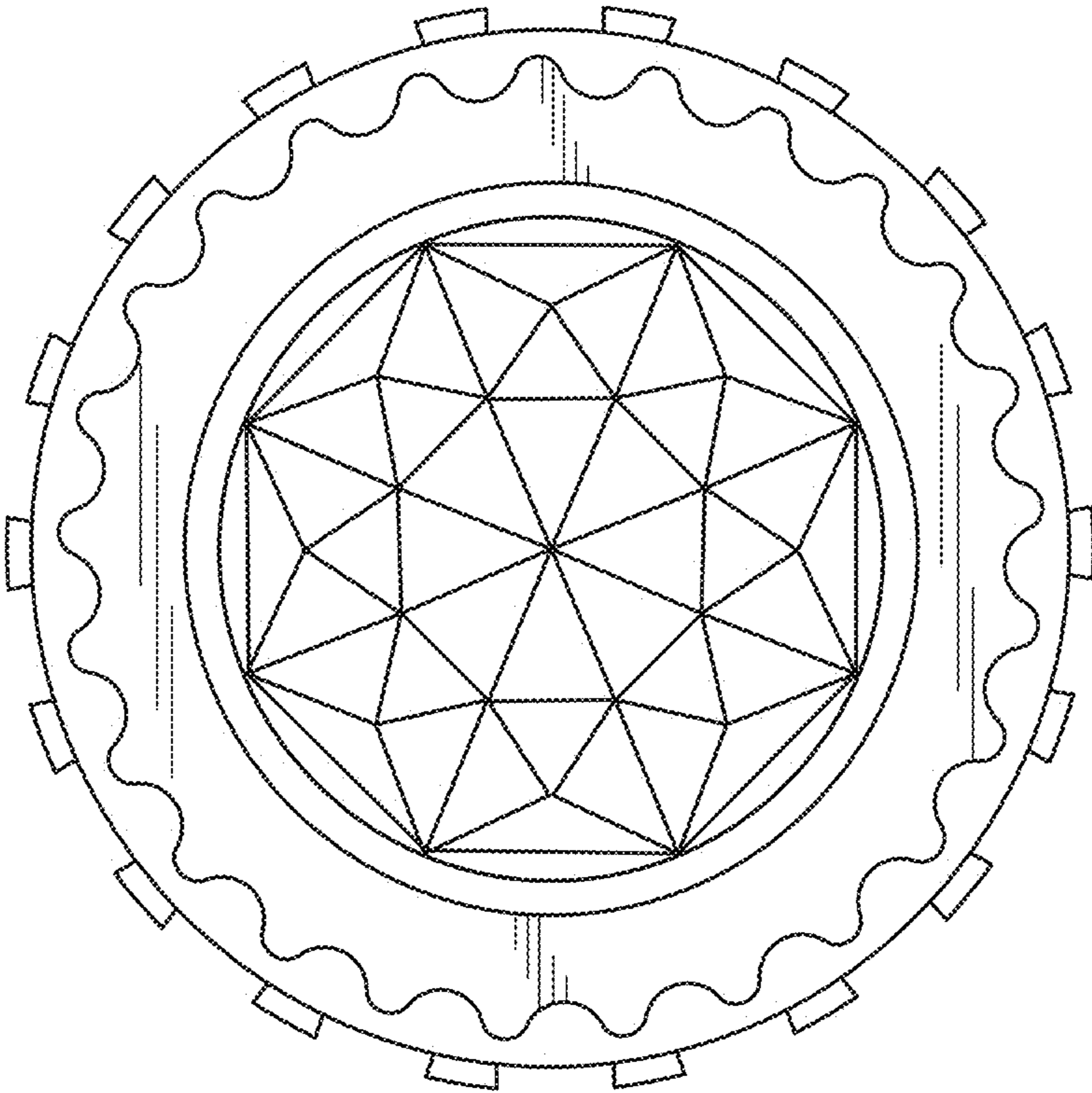


FIG. 6

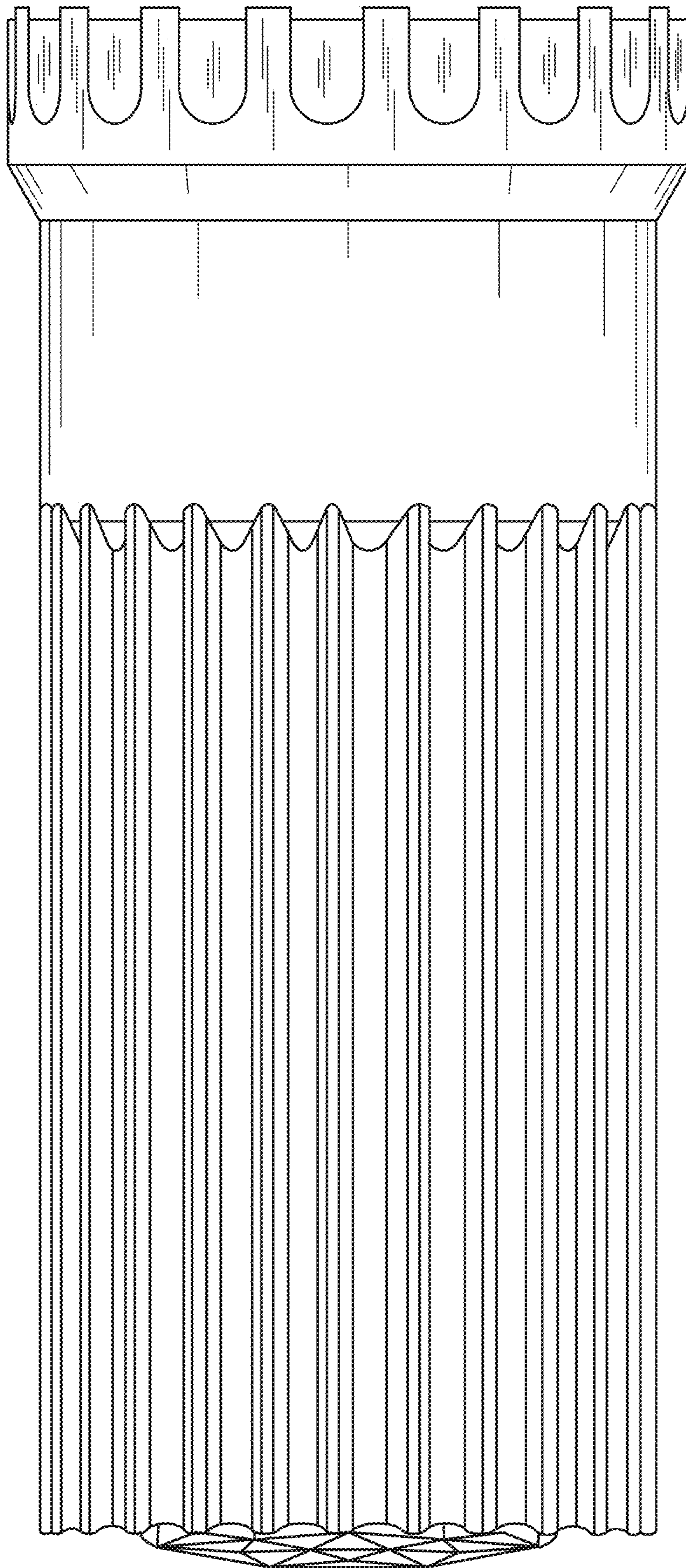


FIG. 7

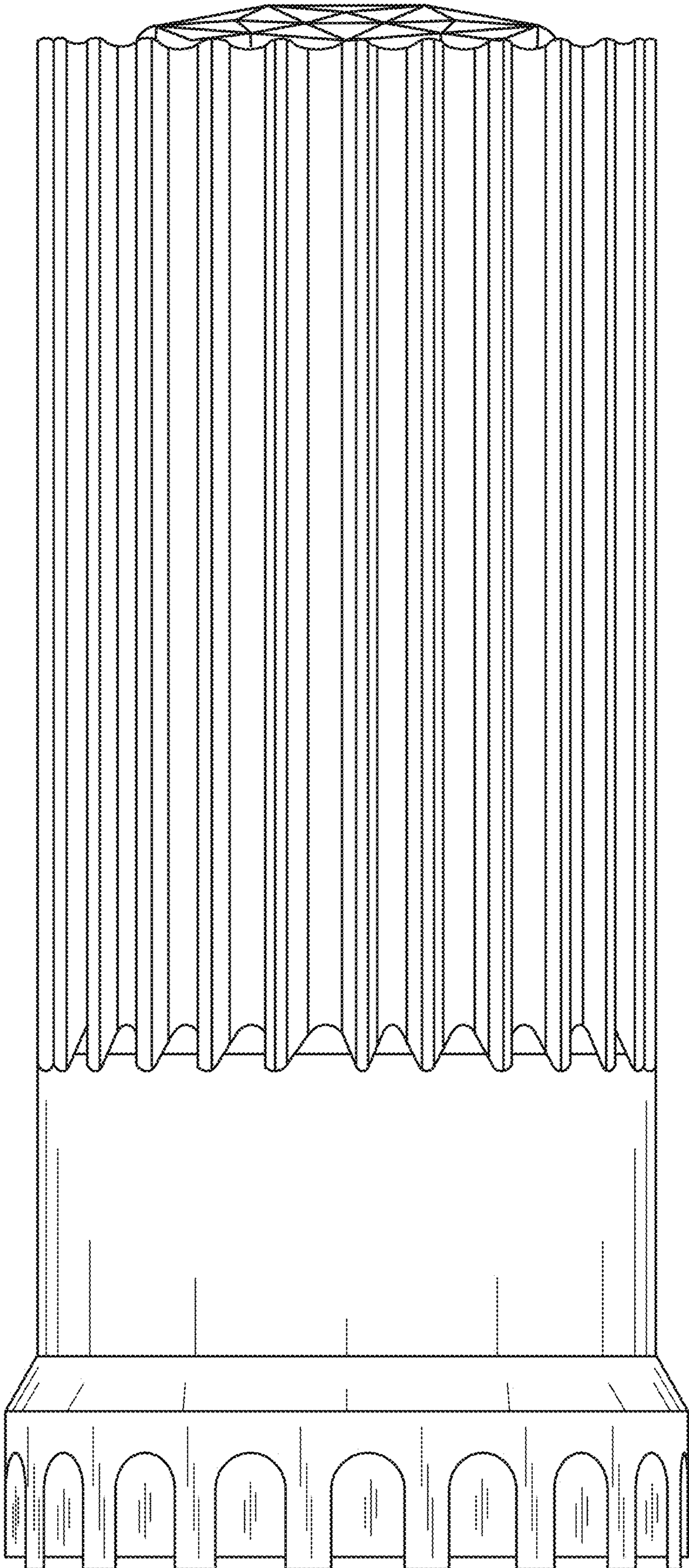


FIG. 8