



US00D915186S

(12) **United States Design Patent**
Barker

(10) **Patent No.:** **US D915,186 S**

(45) **Date of Patent:** **** Apr. 6, 2021**

(54) **ANGULAR STRUT BRACKET**

(71) Applicant: **Shon Barker**, Lake Charles, LA (US)

(72) Inventor: **Shon Barker**, Lake Charles, LA (US)

(**) Term: **15 Years**

(21) Appl. No.: **29/693,337**

(22) Filed: **May 31, 2019**

Related U.S. Application Data

(60) Continuation-in-part of application No. 16/404,529, filed on May 6, 2019, now Pat. No. 10,508,671, which is a continuation of application No. 16/198,151, filed on Nov. 21, 2018, now Pat. No. 10,302,113, which is a division of application No. 15/656,233, filed on Jul. 21, 2017, now Pat. No. 10,167,888, said application No. 29/693,337 is a continuation-in-part of application No. 29/693,334, filed on May 31, 2019, and a continuation-in-part of application No. 29/693,336, filed on May 31, 2019.

(51) **LOC (13) Cl.** **08-08**

(52) **U.S. Cl.**
USPC **D8/382**

(58) **Field of Classification Search**
USPC D25/133, 134, 119; D8/382, 349, 354
CPC E04B 1/40; E04B 1/5818; E04B 1/1903;
E04B 2001/2439; E04B 2001/2415; E04B
2001/5868; E04C 2003/0413; E04C
2003/0417; E04C 2003/0434; E04C
2003/0421; E04C 2003/0439; E04C
2003/0473; F16B 7/182; F16B 7/185;
F16B 7/187

See application file for complete search history.

(56) **References Cited**

U.S. PATENT DOCUMENTS

D241,613 S * 9/1976 Matousek D8/354
4,235,559 A * 11/1980 Rooklyn F16B 12/30
403/262

D269,760 S * 7/1983 Geney D8/382
D298,524 S * 11/1988 De Luca D12/115
D317,250 S * 6/1991 Shook D8/380
5,092,097 A * 3/1992 Young E04B 1/2608
52/264
D359,466 S * 6/1995 Eggers D12/115
D445,019 S * 7/2001 Vitetta D8/349
6,290,214 B1 * 9/2001 DeSouza E04H 17/1413
256/55
6,295,770 B1 * 10/2001 Sheu E04B 1/161
52/167.1
D468,252 S * 1/2003 Morris D12/223
D474,958 S * 5/2003 Perdue D8/349
D532,681 S * 11/2006 Shire D8/382
7,140,155 B1 * 11/2006 Nasimov E04B 1/24
52/236.8
D552,947 S * 10/2007 Ewasiuk D8/5
D563,771 S * 3/2008 Prechtel D8/354
D576,472 S * 9/2008 Gaiardo D8/354
D599,193 S * 9/2009 Meyer D8/354

(Continued)

Primary Examiner — Sandra Snapp
Assistant Examiner — Ieisha N Price

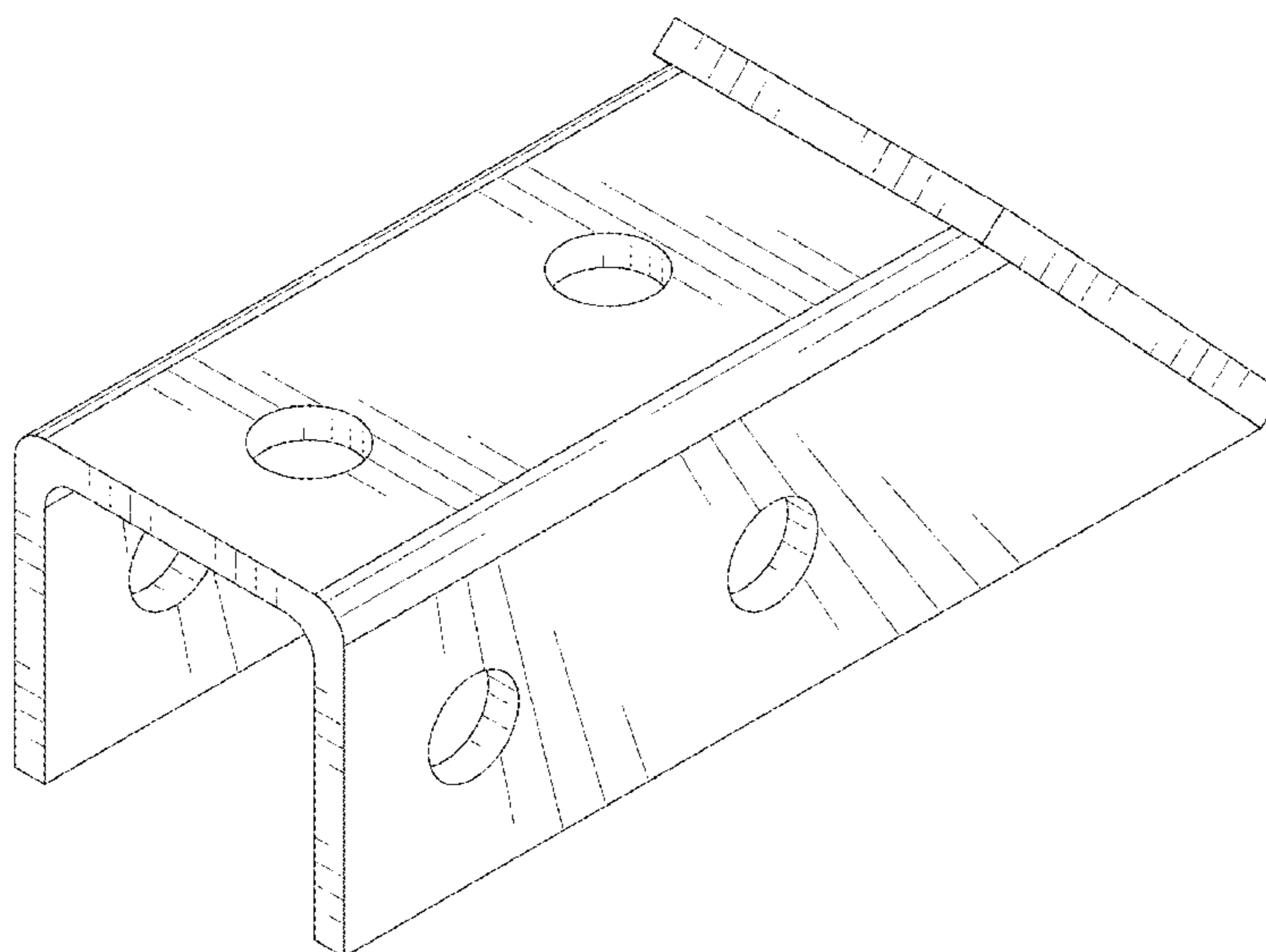
(57) **CLAIM**

The ornamental design for an angular strut bracket, as shown and described.

DESCRIPTION

FIG. 1 is a top-front-left perspective view of an angular strut bracket showing my new design;
FIG. 2 is a bottom-rear-right perspective view thereof;
FIG. 3 is a front elevational view thereof;
FIG. 4 is a rear elevational view thereof;
FIG. 5 is a left side elevational view thereof;
FIG. 6 is a right side elevational view thereof;
FIG. 7 is a top plan view thereof; and,
FIG. 8 is a bottom plan view thereof.

1 Claim, 8 Drawing Sheets



(56)

References Cited

U.S. PATENT DOCUMENTS

| | | | | | | | | | |
|----------------|---------|------------|-------|----------------------|-------------------|---------|----------|-------|------------------------|
| D600,535 S * | 9/2009 | Rix | | D8/354 | D826,769 S * | 8/2018 | Storey | | D11/155 |
| D612,013 S * | 3/2010 | Buermann | | D23/233 | D835,973 S * | 12/2018 | Bertato | | D8/354 |
| D618,992 S * | 7/2010 | Rix | | D8/394 | D839,081 S * | 1/2019 | Iellimo | | D8/354 |
| D628,539 S * | 12/2010 | Tezak | | D13/152 | 10,167,888 B2 | 1/2019 | Barker | | |
| D633,779 S * | 3/2011 | Bennett | | D8/354 | D866,293 S * | 11/2019 | Gibb | | D8/349 |
| D637,477 S * | 5/2011 | Wall | | D8/382 | 2002/0066247 A1 * | 6/2002 | Leek | | E04B 1/2604 52/295 |
| D655,149 S * | 3/2012 | Dotsey | | D8/354 | 2010/0031600 A1 * | 2/2010 | Nakagawa | | E04B 1/24 52/653.1 |
| D656,268 S * | 3/2012 | Hollett | | D26/142 | 2013/0167358 A1 * | 7/2013 | Calhoun | | E04C 3/40 29/525.01 |
| D656,452 S * | 3/2012 | Calvert | | D12/223 | 2016/0130797 A1 * | 5/2016 | Bruce | | E04B 1/40 52/698 |
| D661,976 S * | 6/2012 | Richter | | D8/354 | 2017/0122491 A1 * | 5/2017 | Mancuso | | F16M 13/02 |
| D714,616 S * | 10/2014 | Walker | | D8/349 | 2018/0187413 A1 * | 7/2018 | Barker | | E04B 1/40 |
| 8,863,438 B1 * | 10/2014 | Seitz | | E06B 1/522 49/197 | 2018/0258631 A1 * | 9/2018 | Pearson | | E04B 1/2403 |
| 8,959,849 B1 * | 2/2015 | DiGirolamo | | E04B 1/003 52/182 | 2019/0048577 A1 * | 2/2019 | Studer | | E04B 1/003 |
| D737,124 S * | 8/2015 | Sasanecki | | D8/366 | 2019/0093688 A1 | 3/2019 | Barker | | |
| D746,124 S * | 12/2015 | Toye | | D8/349 | 2019/0100919 A1 * | 4/2019 | Gilbert | | E04C 3/32 |
| D798,135 S * | 9/2017 | Doupnik | | D8/382 | 2019/0194930 A1 * | 6/2019 | Stevens | | E06B 1/02 |
| | | | | | 2019/0242129 A1 * | 8/2019 | LeBlang | | E04B 1/40 |

* cited by examiner

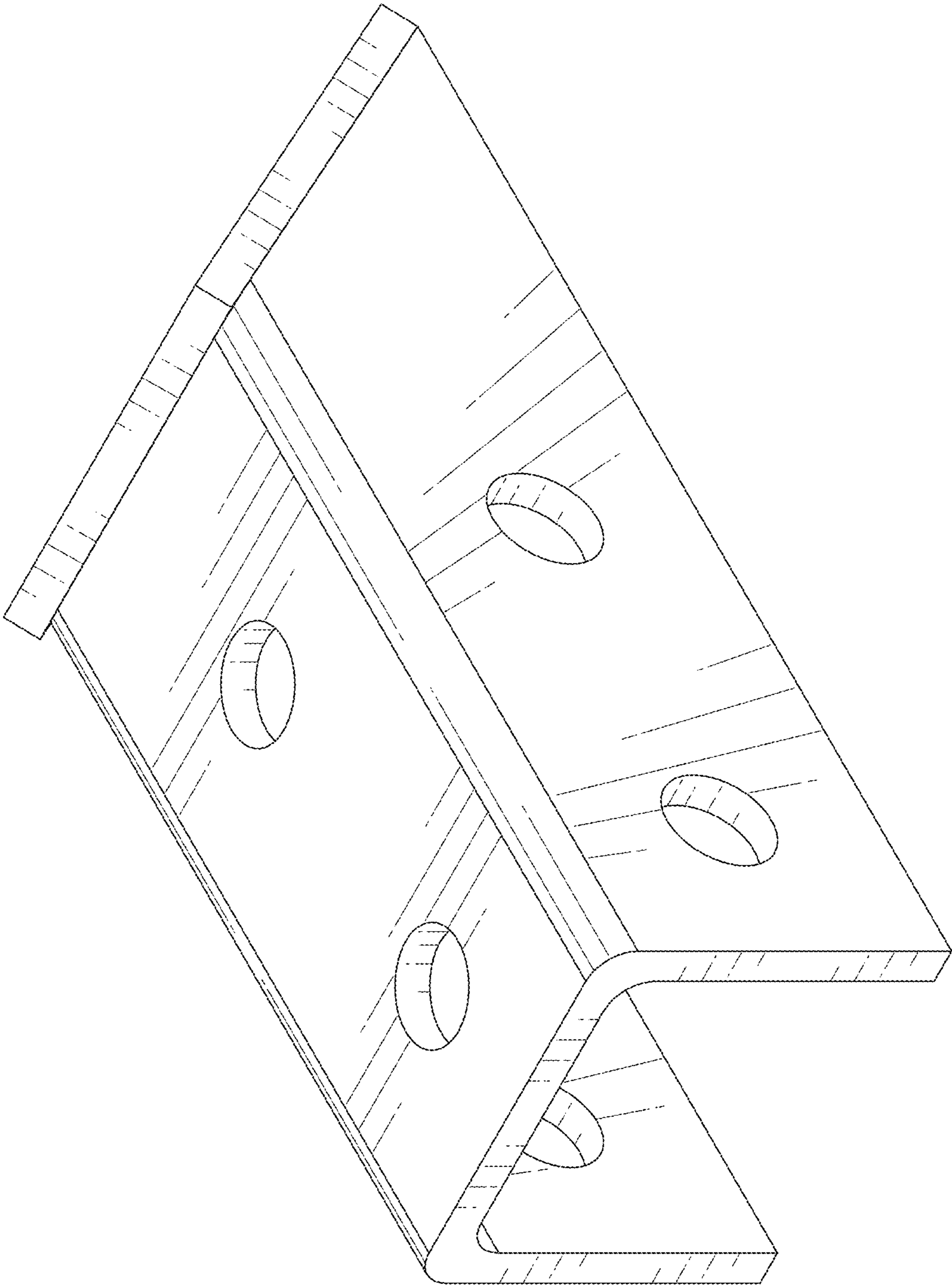


FIG. 1

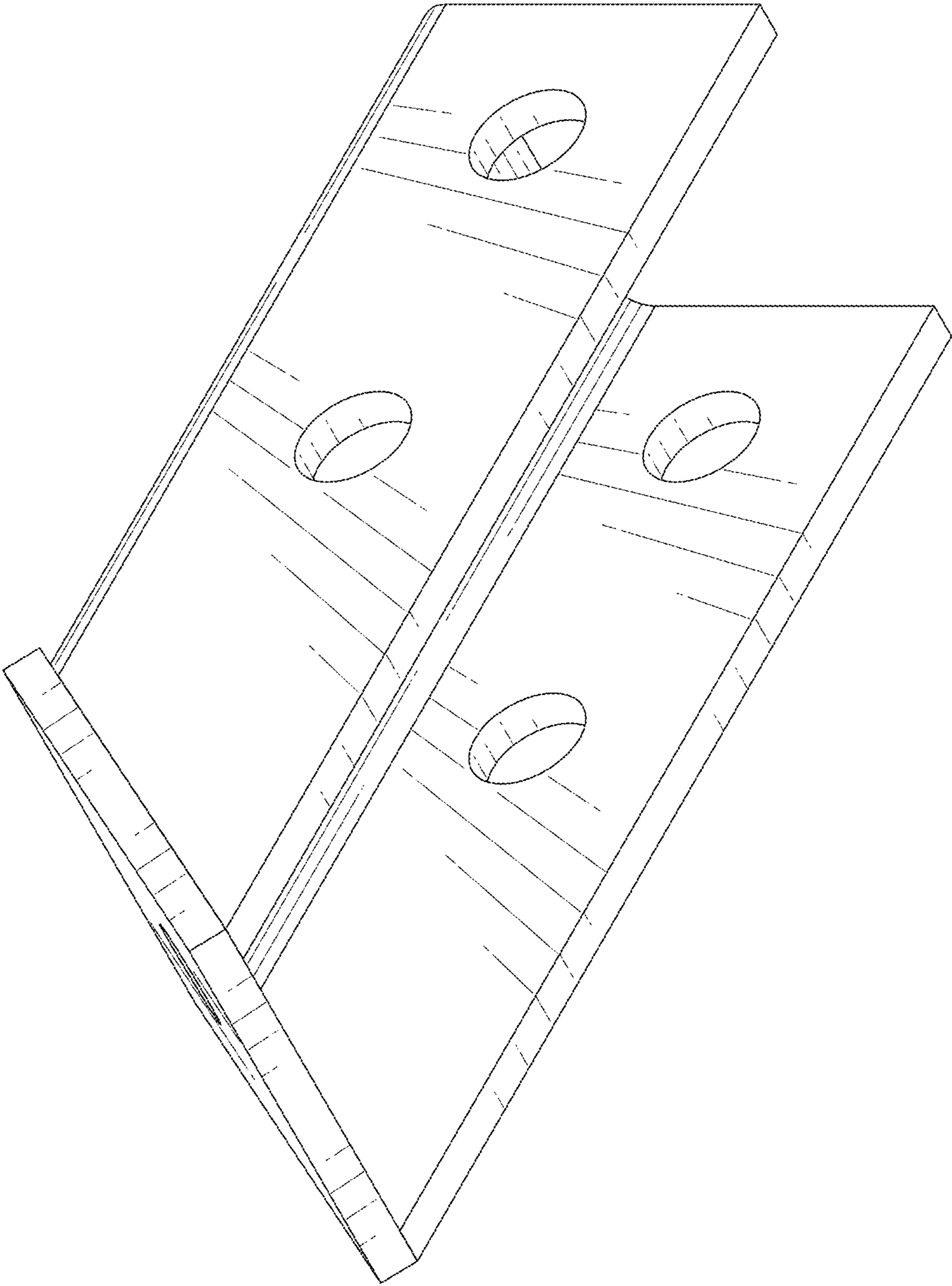


FIG. 2

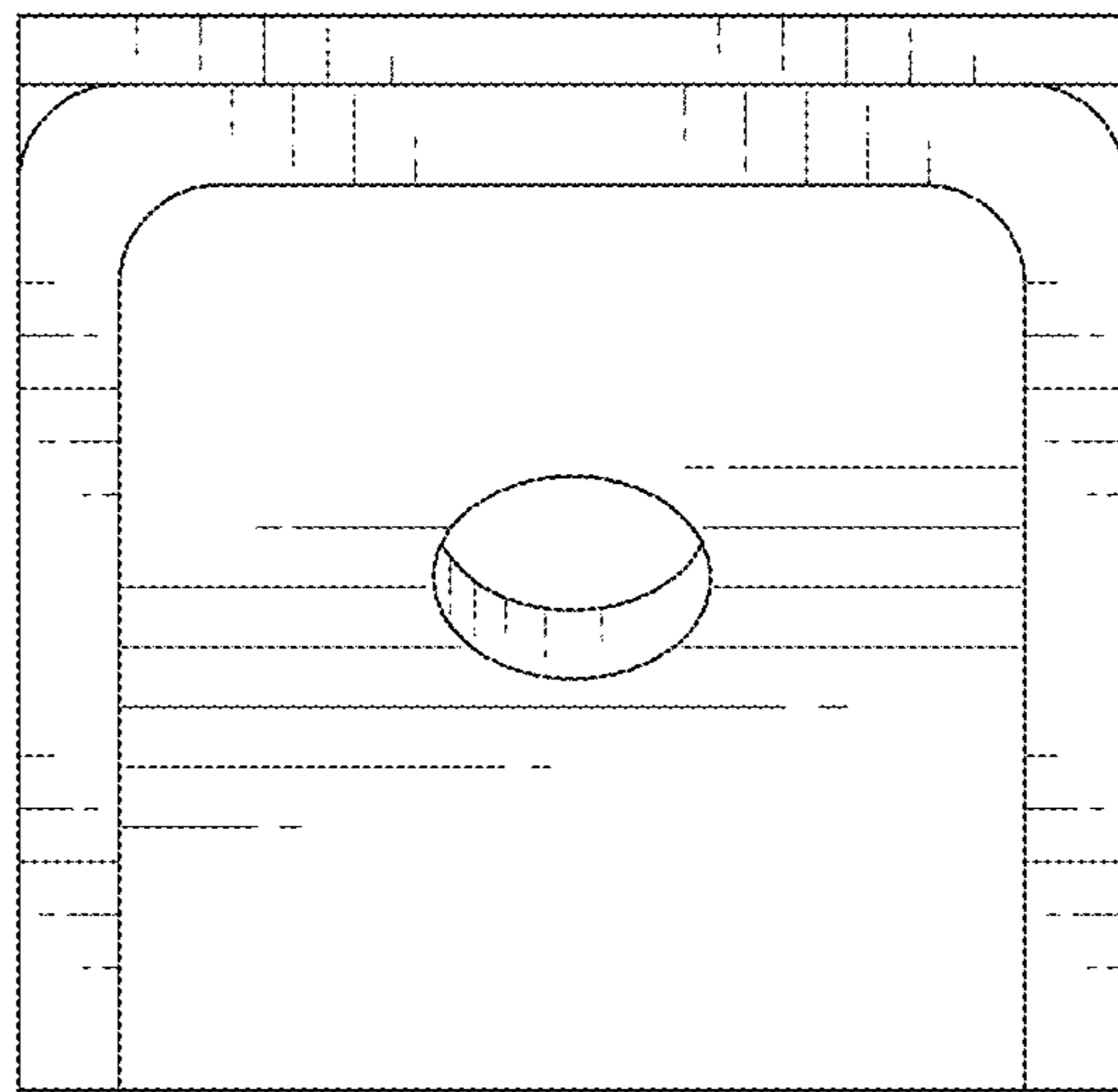


FIG. 3

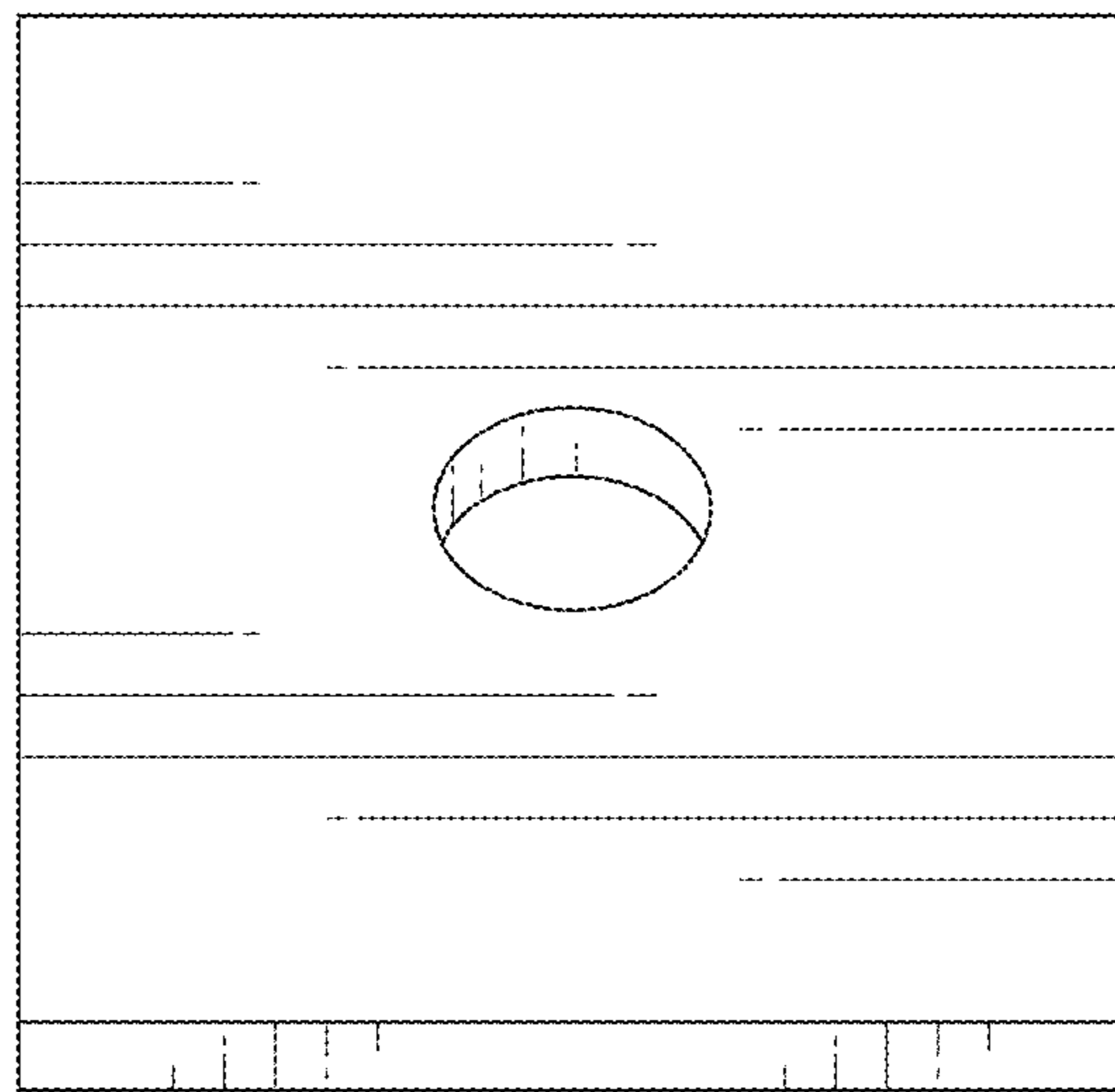


FIG. 4

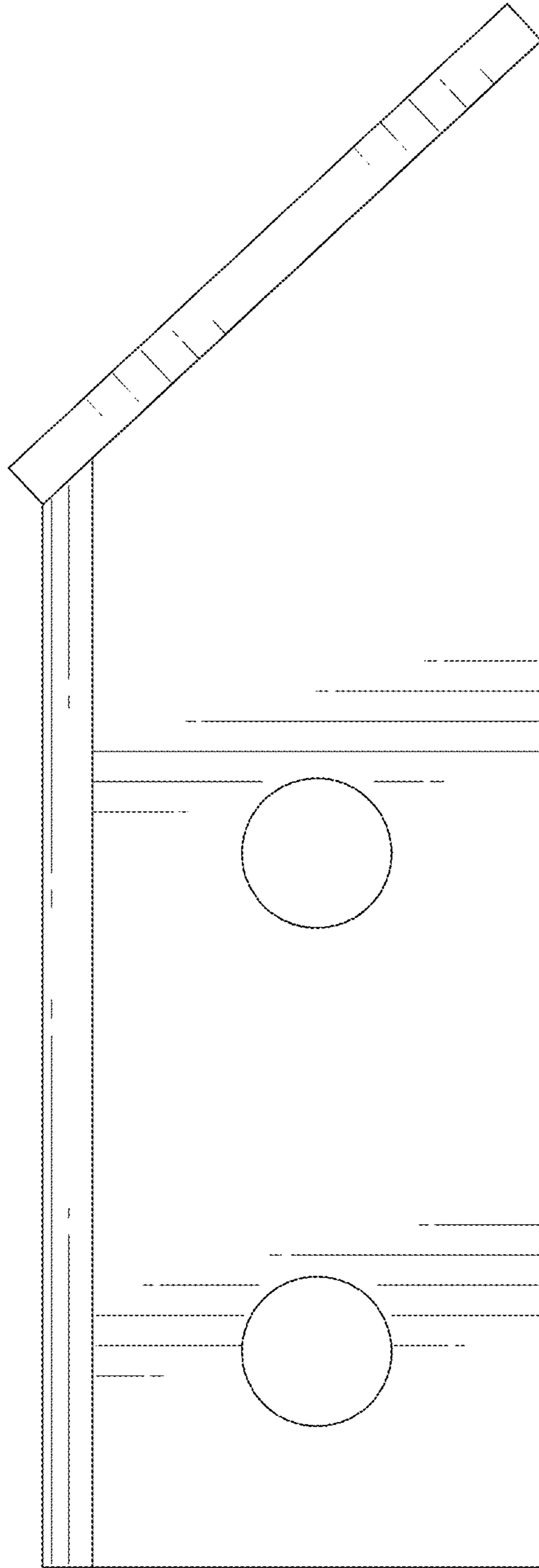


FIG. 5

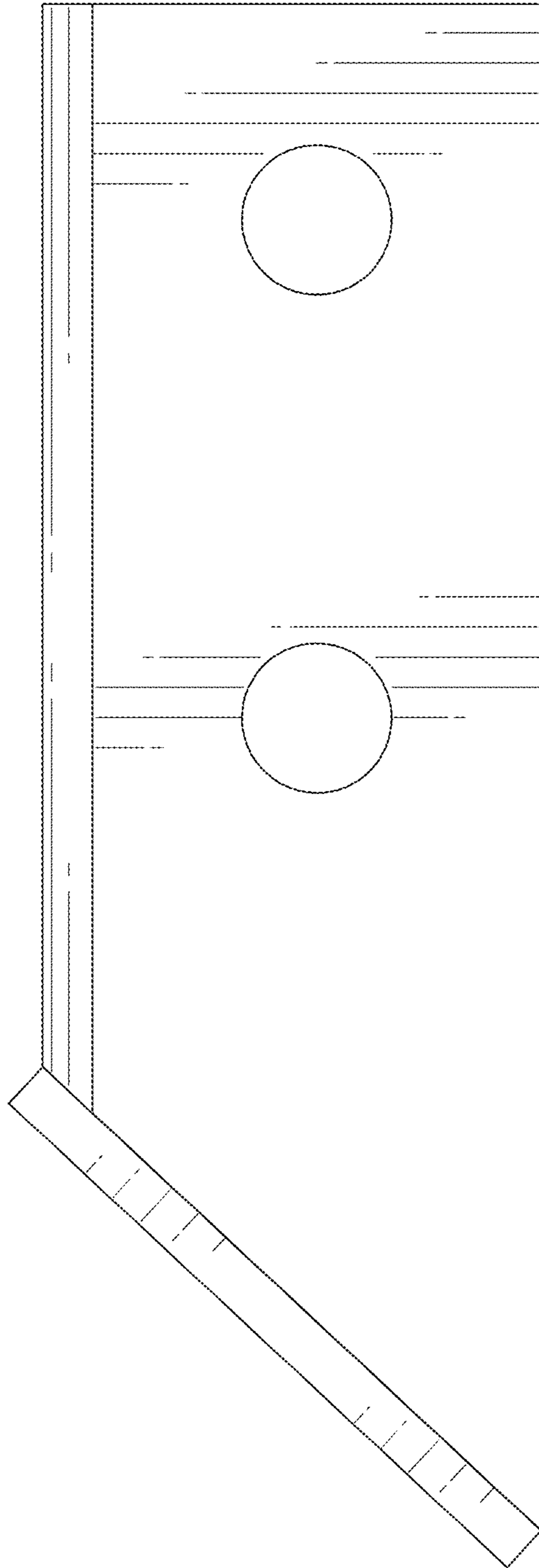


FIG. 6

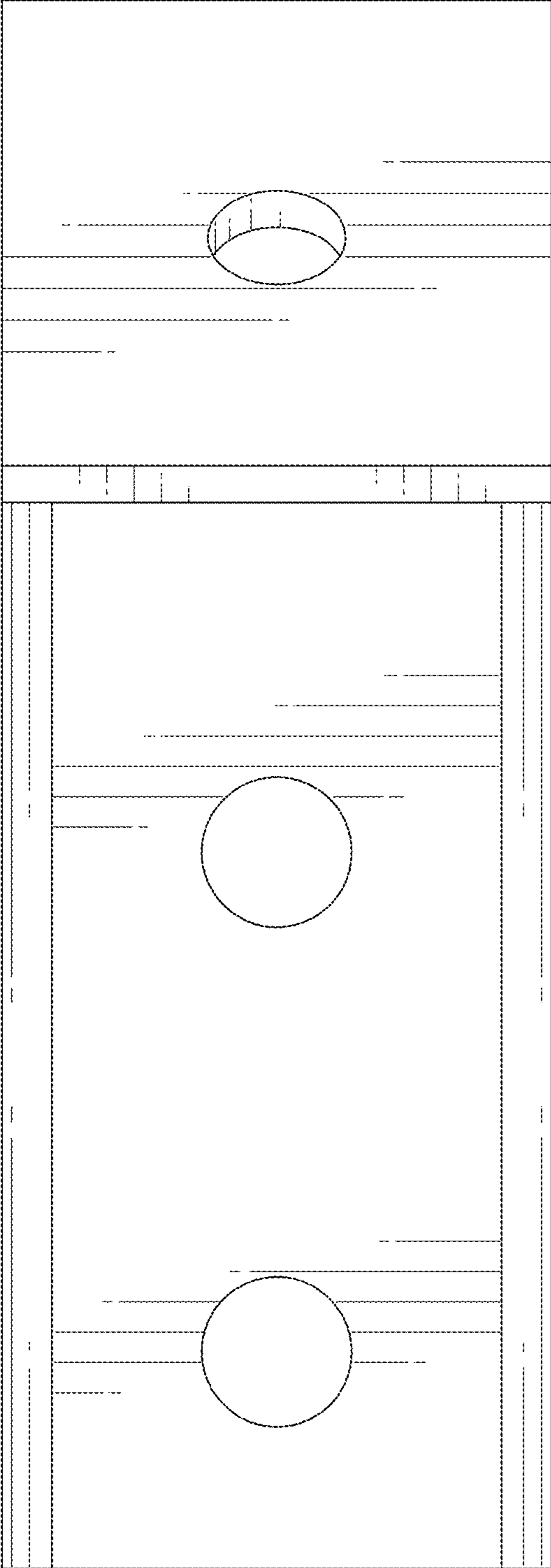


FIG. 7

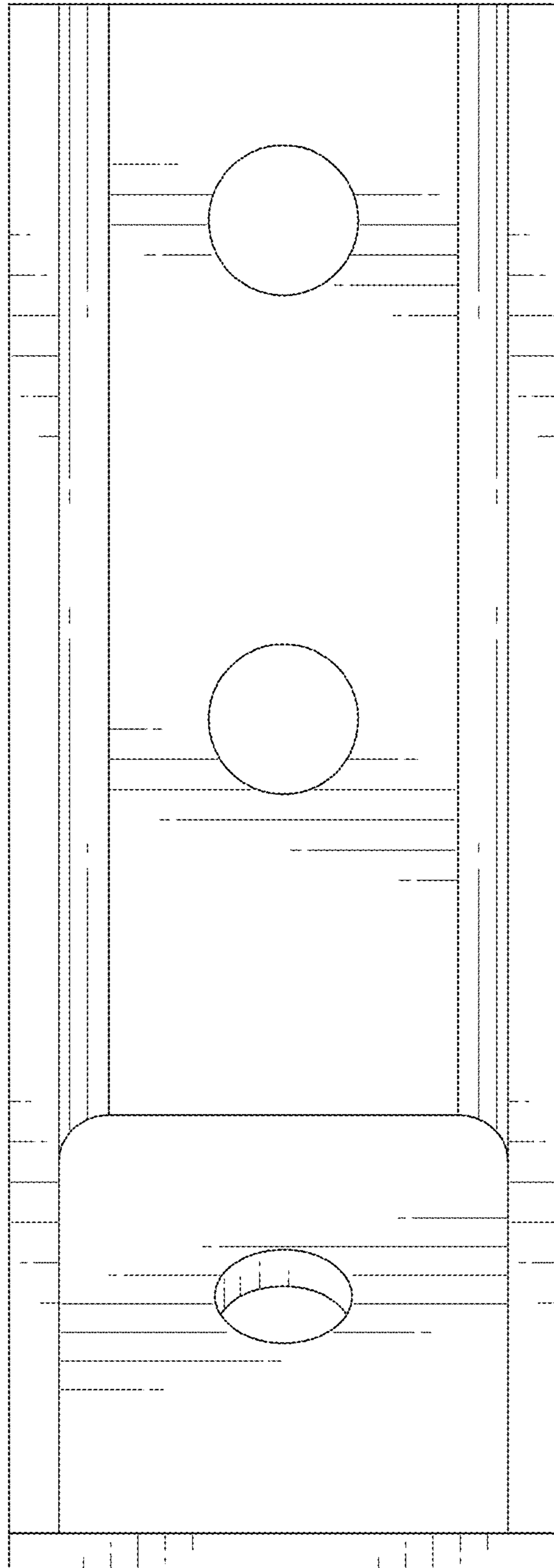


FIG. 8