



US00D915185S

(12) **United States Design Patent** (10) **Patent No.:** **US D915,185 S**
Benoit et al. (45) **Date of Patent:** **** Apr. 6, 2021**

(54) **CONNECTOR**
(71) Applicant: **ILLINOIS TOOL WORKS INC.**,
Glenview, IL (US)
(72) Inventors: **Thomas A. Benoit**, Bourbonnais, IL
(US); **Kileean E. Bell**, Crete, IL (US)
(73) Assignee: **Illinois Tool Works Inc.**, Glenview, IL
(US)
(**) Term: **15 Years**
(21) Appl. No.: **29/676,239**
(22) Filed: **Jan. 9, 2019**
(51) **LOC (13) Cl.** **08-08**
(52) **U.S. Cl.**
USPC **D8/382**
(58) **Field of Classification Search**
USPC D8/349, 382, 388, 395
CPC F16B 5/0084; F16B 5/0607; F16B 21/086;
F16B 19/008; F16B 5/0657; F16B
2005/0678; F16B 21/08
See application file for complete search history.

(56) **References Cited**
U.S. PATENT DOCUMENTS
3,015,869 A * 1/1962 Rapata F16B 12/30
248/73
3,093,874 A * 6/1963 Rapata F16B 12/30
411/508
D293,880 S * 1/1988 Takahashi 174/138 D
D295,368 S * 4/1988 Niwa 174/138 D
D296,298 S * 6/1988 Hill 174/138 D
D456,699 S * 5/2002 Nakanishi D8/382
9,079,341 B2 * 7/2015 Risdale B29C 45/1635
9,322,420 B2 * 4/2016 Markie B60R 11/00
9,982,694 B2 5/2018 Scroggie et al.
D839,197 S * 1/2019 Endo D13/133
2002/0106261 A1 * 8/2002 Nakanishi F16B 5/123
411/508

2004/0238698 A1* 12/2004 Shereyk F16L 3/237
248/71
2009/0060681 A1* 3/2009 Nakanishi F16B 21/086
411/509
2009/0178249 A1* 7/2009 Jalbert F16B 5/0657
24/591.1
2011/0058915 A1* 3/2011 Scroggie F16B 21/082
411/32
2013/0199001 A1* 8/2013 Jagoda F16B 5/0657
24/453
2015/0128386 A1* 5/2015 Lepper F16B 5/0657
24/458

(Continued)

Primary Examiner — Holly E Thurman
Assistant Examiner — Ieisha N Price
(74) *Attorney, Agent, or Firm* — Quarles & Brady LLP

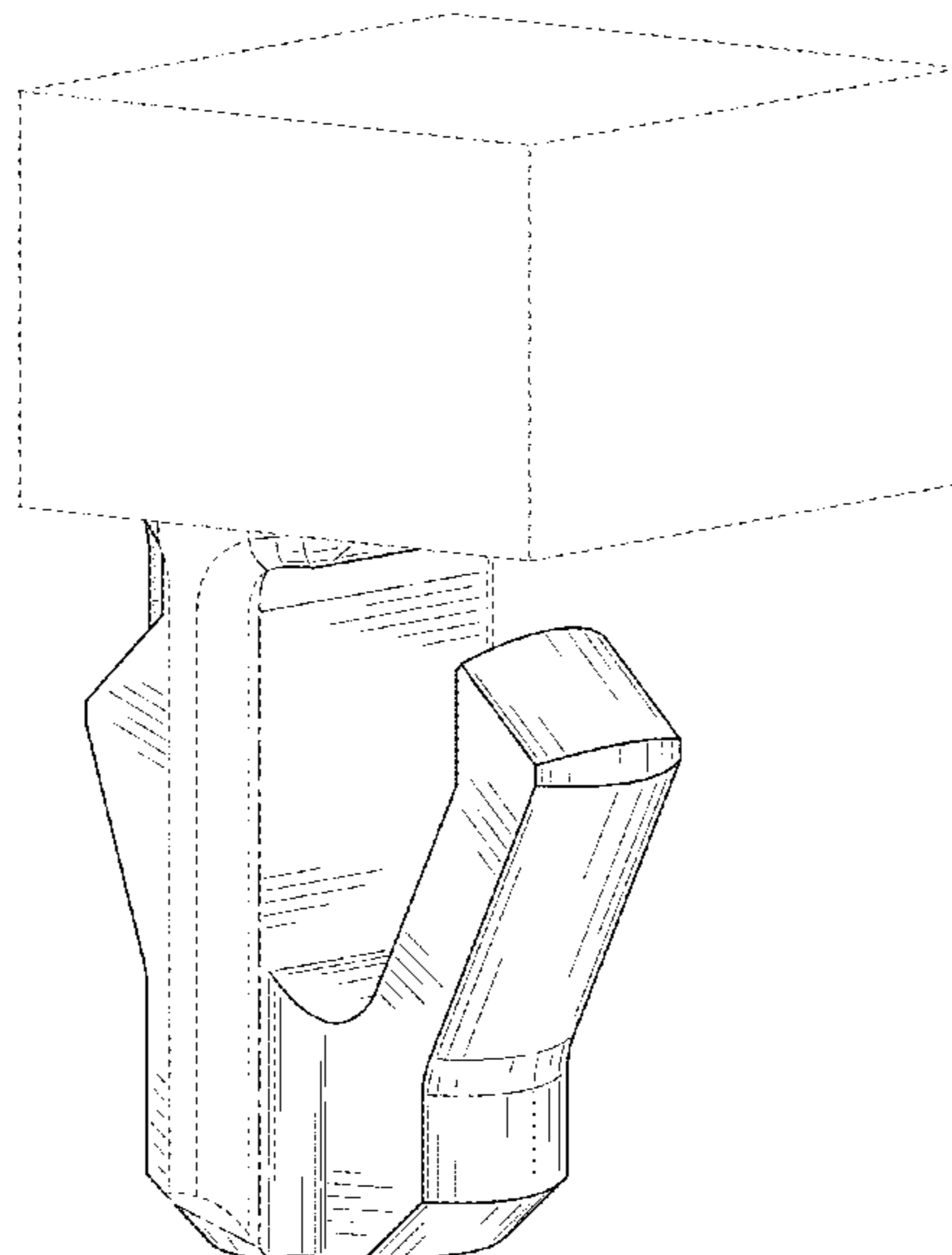
(57) **CLAIM**

The ornamental design for a connector, as shown and described.

DESCRIPTION

FIG. 1 is an isometric view of a front, top, and right side of an ornamental design for a connector;
FIG. 2 is an isometric view of a back, bottom, and left side of the connector of FIG. 1;
FIG. 3 is a right side elevational view of the connector of FIG. 1;
FIG. 4 is a left side elevational view of the connector of FIG. 1;
FIG. 5 is a front elevational view of the connector of FIG. 1;
FIG. 6 is a back elevational view of the connector of FIG. 1; and,
FIG. 7 is a bottom plan view of the connector of FIG. 1.
The broken lines in the drawings illustrate portions of the connector and form no part of the claimed design. The dash-dot-dash broken lines in the drawings define the bounds of the claim and form no part thereof.

1 Claim, 5 Drawing Sheets



(56)

References Cited

U.S. PATENT DOCUMENTS

2016/0288733 A1* 10/2016 Akazawa B60R 13/00
2017/0159688 A1* 6/2017 Soni Gutierrez F16B 5/0664
2017/0218990 A1* 8/2017 Gonnet F16B 5/065
2019/0162215 A1* 5/2019 Santillan Gutierrez .. F16B 2/22
2020/0217340 A1* 7/2020 Benoit F16B 5/0685

* cited by examiner

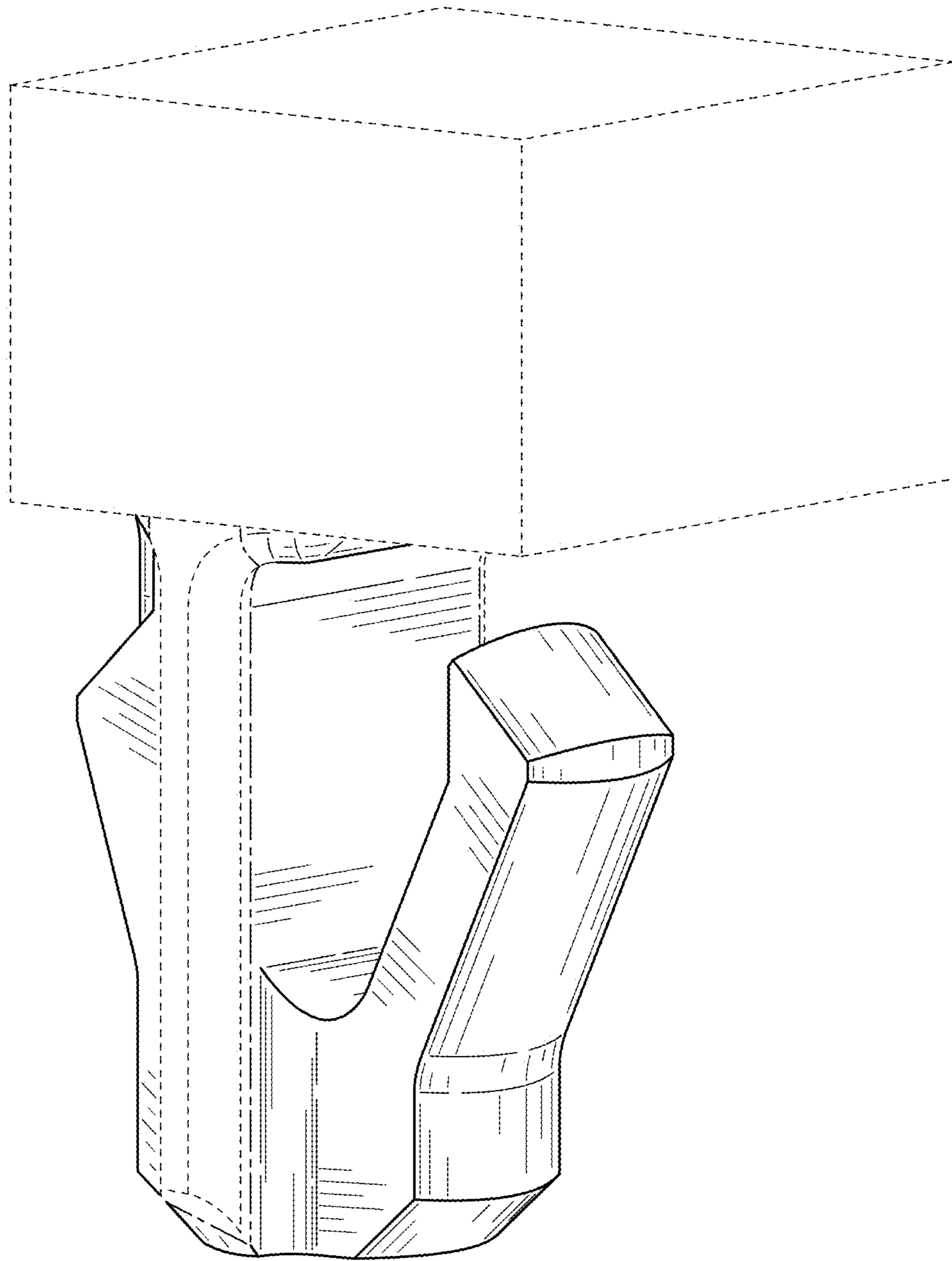


FIG. 1

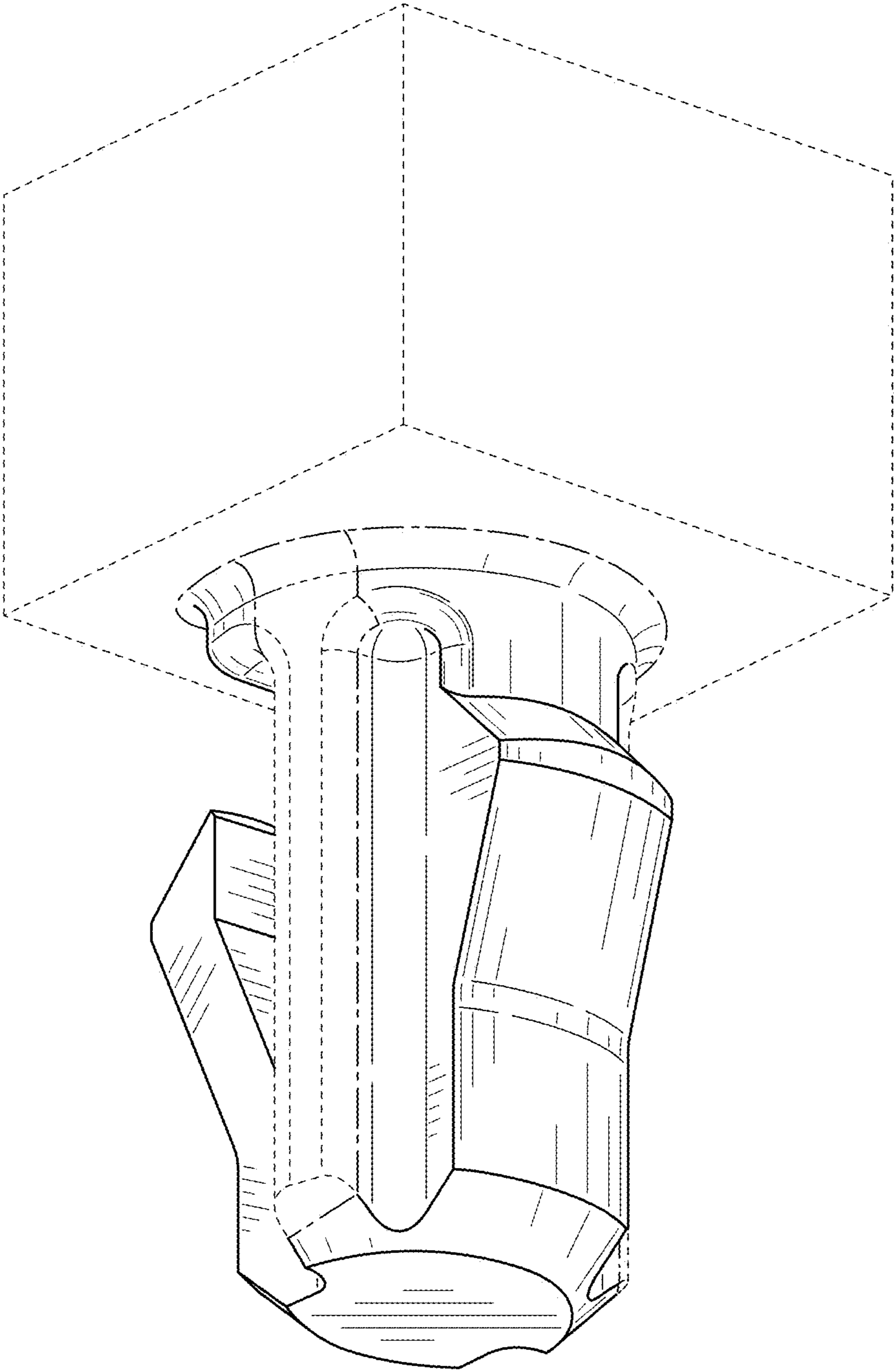


FIG. 2

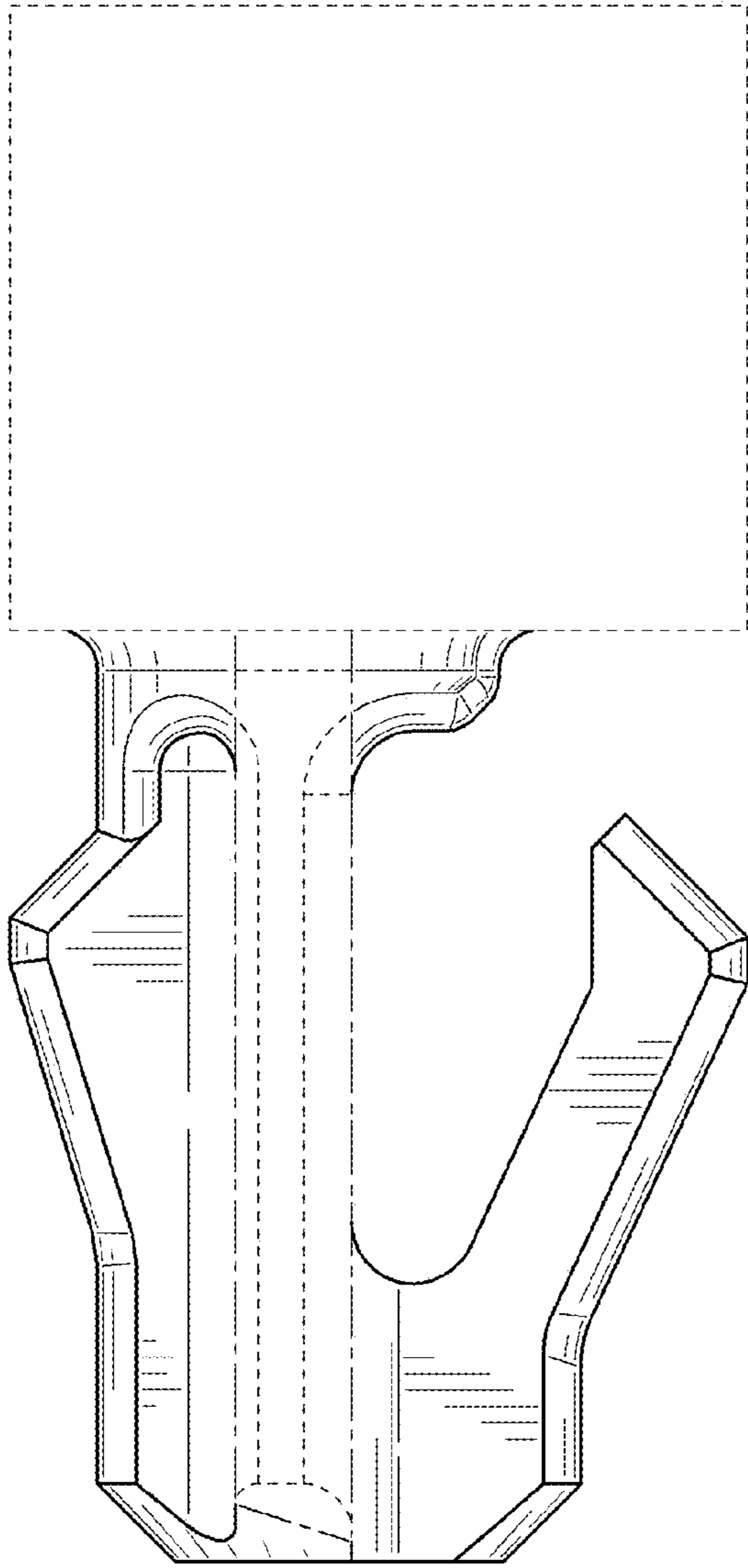


FIG. 3

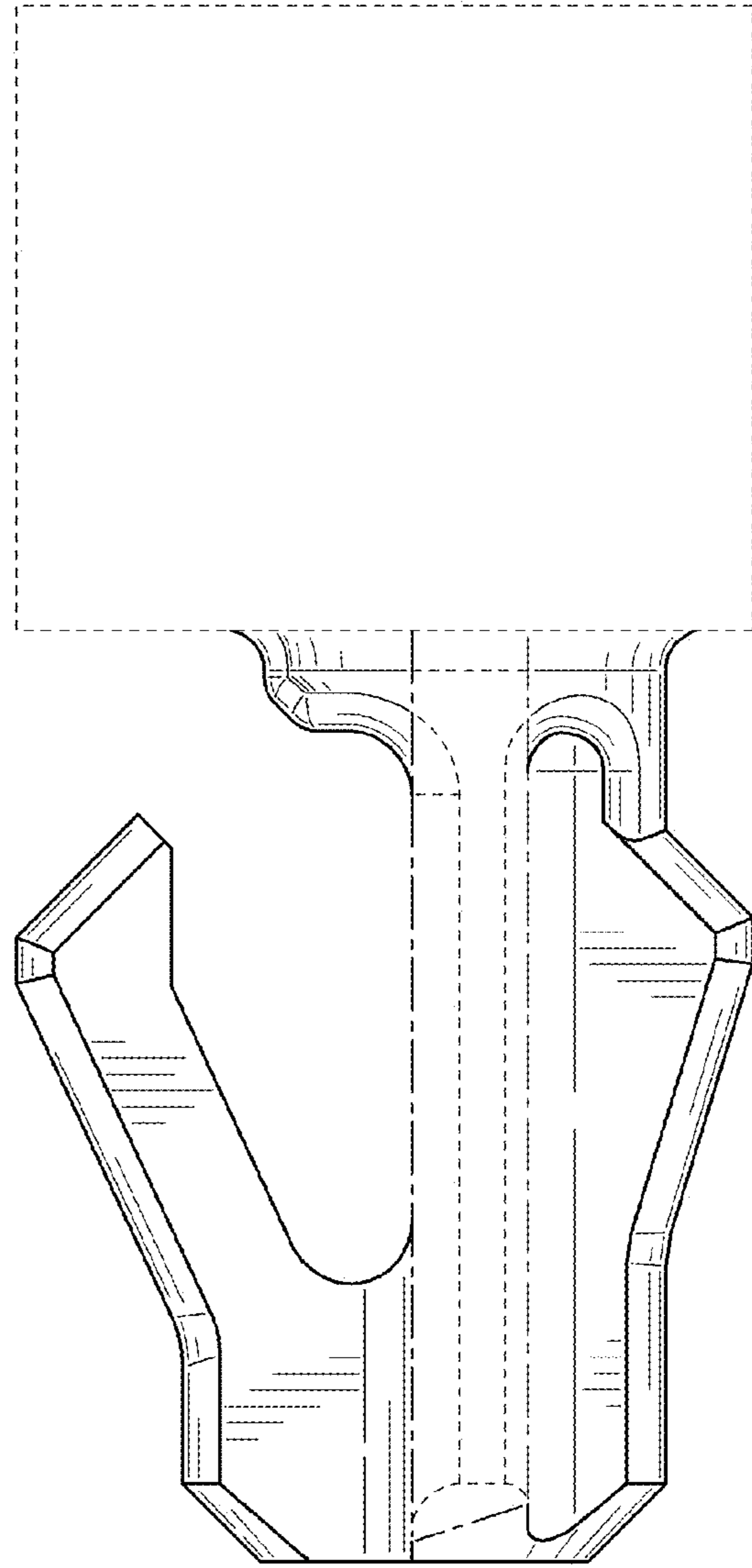


FIG. 4

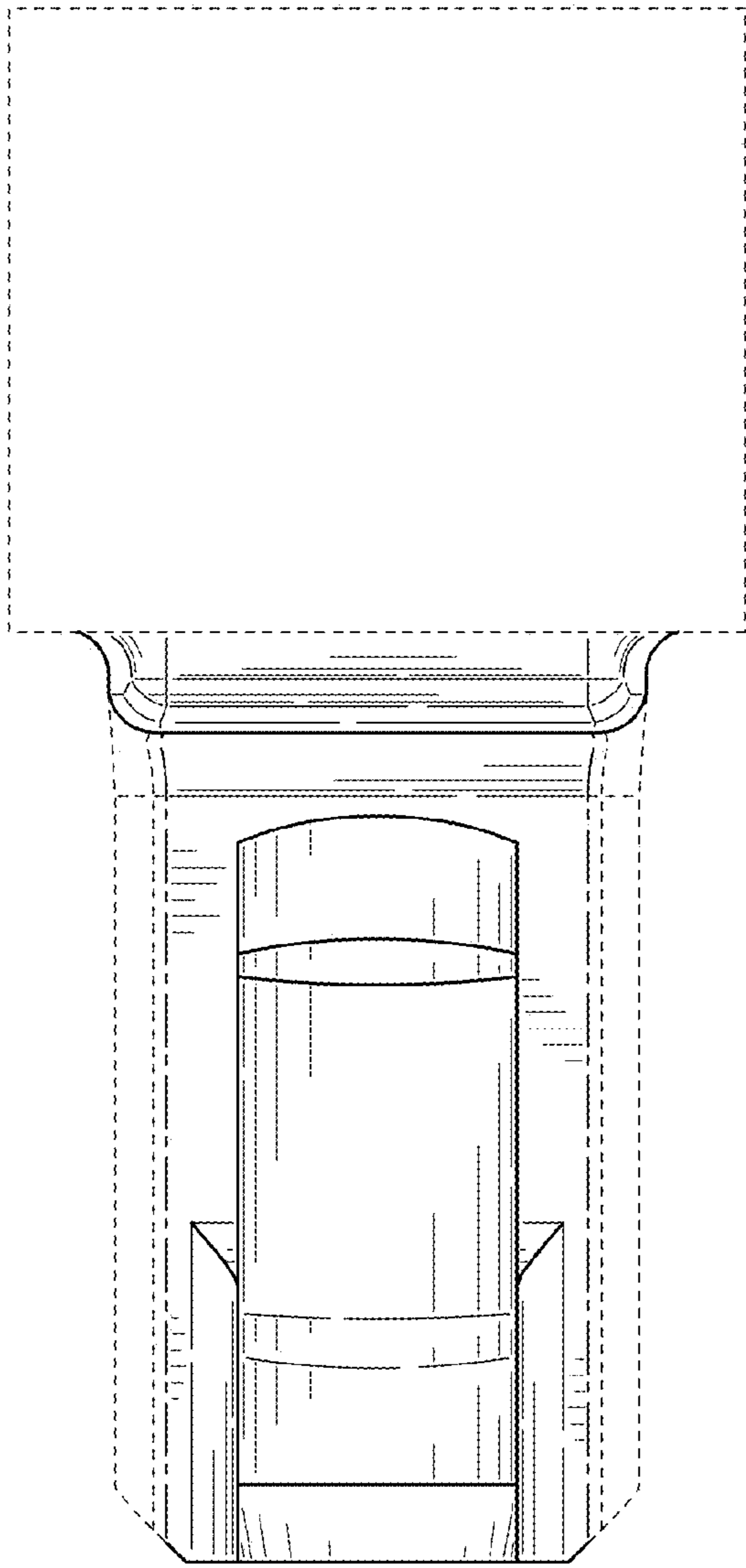


FIG. 5

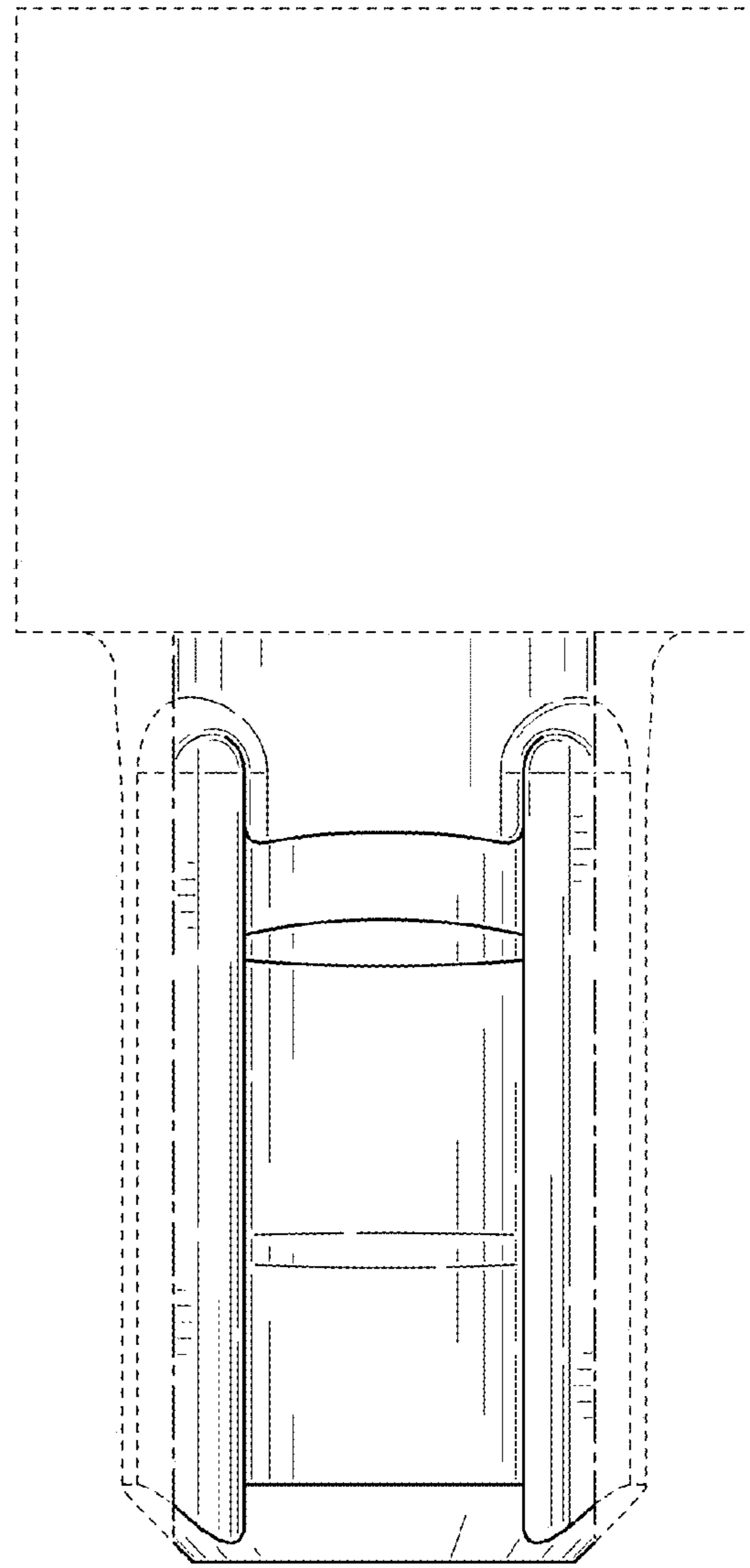


FIG. 6

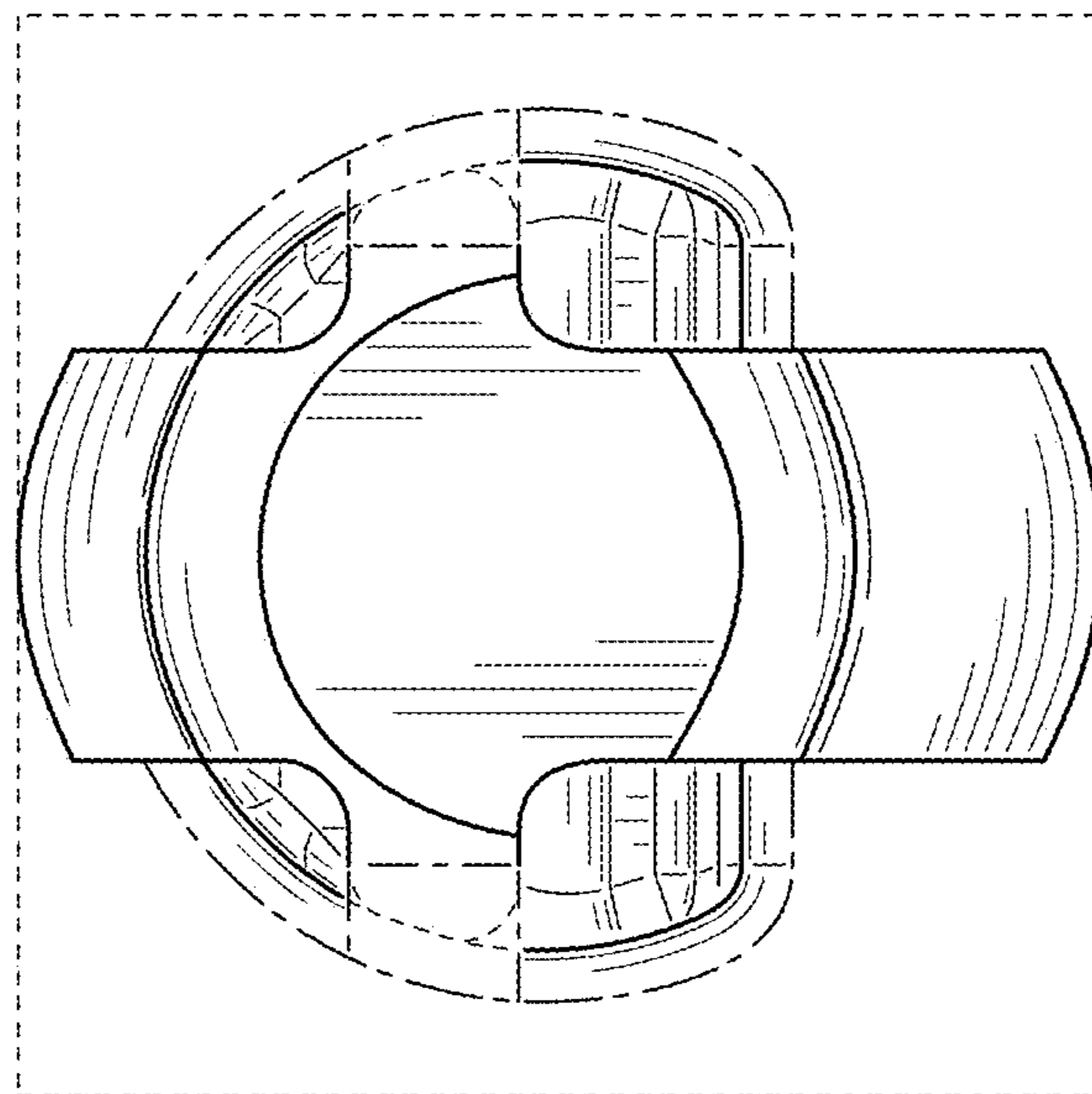


FIG. 7