



US00D915183S

(12) **United States Design Patent**
Blaabjerg et al.

(10) **Patent No.:** **US D915,183 S**

(45) **Date of Patent:** **** Apr. 6, 2021**

(54) **MAGNET**

(71) Applicant: **Royal Danish Vendors A/S**, Hilleroed (DK)

(72) Inventors: **Soeren Blaabjerg**, Hilleroed (DK);
Tine Blaabjerg, Hilleroed (DK)

(**) Term: **15 Years**

(21) Appl. No.: **35/508,163**

(22) Filed: **Oct. 15, 2019**

(80) **Hague Agreement Data**
 Int. Filing Date: **Oct. 15, 2019**
 Int. Reg. No.: **DM/204729**
 Int. Reg. Date: **Oct. 15, 2019**
 Int. Reg. Pub. Date: **Dec. 20, 2019**

(51) **LOC (13) Cl.** **08-05**

(52) **U.S. Cl.**
 USPC **D8/373**

(58) **Field of Classification Search**
 USPC D8/373, 349, 34, 354, 378; D13/183;
 D14/253, 447; D19/65
 CPC G02C 9/00
 See application file for complete search history.

D642,548 S * 8/2011 Bowen, III D13/183
 D656,375 S * 3/2012 Blazevic D8/34
 D656,376 S * 3/2012 Blazevic D8/34
 D659,497 S * 5/2012 Blazevic D8/34
 D673,516 S * 1/2013 Blazevic D13/183
 D684,942 S * 6/2013 Zelazowski G02C 9/00
 D731,991 S * 6/2015 Berdud-Teruel D13/183
 D789,920 S * 6/2017 Zhang D14/253
 D802,404 S * 11/2017 Turksu D8/373
 D817,159 S * 5/2018 Tunney D8/373
 D861,003 S * 9/2019 Vogel D14/447
 D870,736 S * 12/2019 Lederer D14/447
 D875,103 S * 2/2020 Vogel D14/447
 D882,379 S * 4/2020 Roe D8/378
 D889,934 S * 7/2020 Hines, III D8/349

* cited by examiner

Primary Examiner — Rhea Shields

(57) **CLAIM**

The ornamental design for a magnet, as shown and described.

DESCRIPTION

- 1. Magnet
- 1.1 : Perspective
- 1.2 : Front
- 1.3 : Back
- 1.4 : Left
- 1.5 : Right
- 1.6 : Top
- 1.7 : Bottom

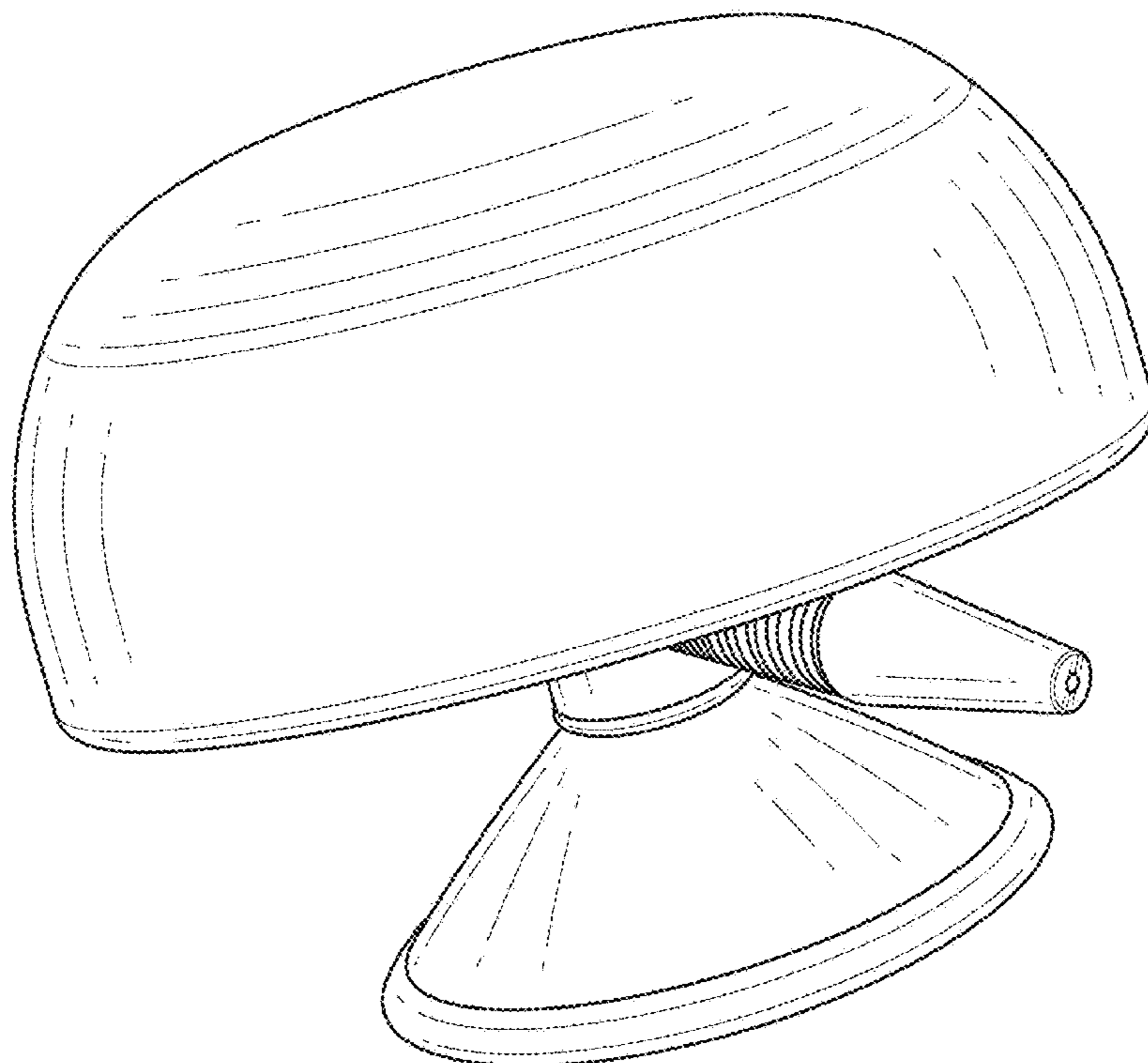
The design shows a new magnet.

1 Claim, 7 Drawing Sheets

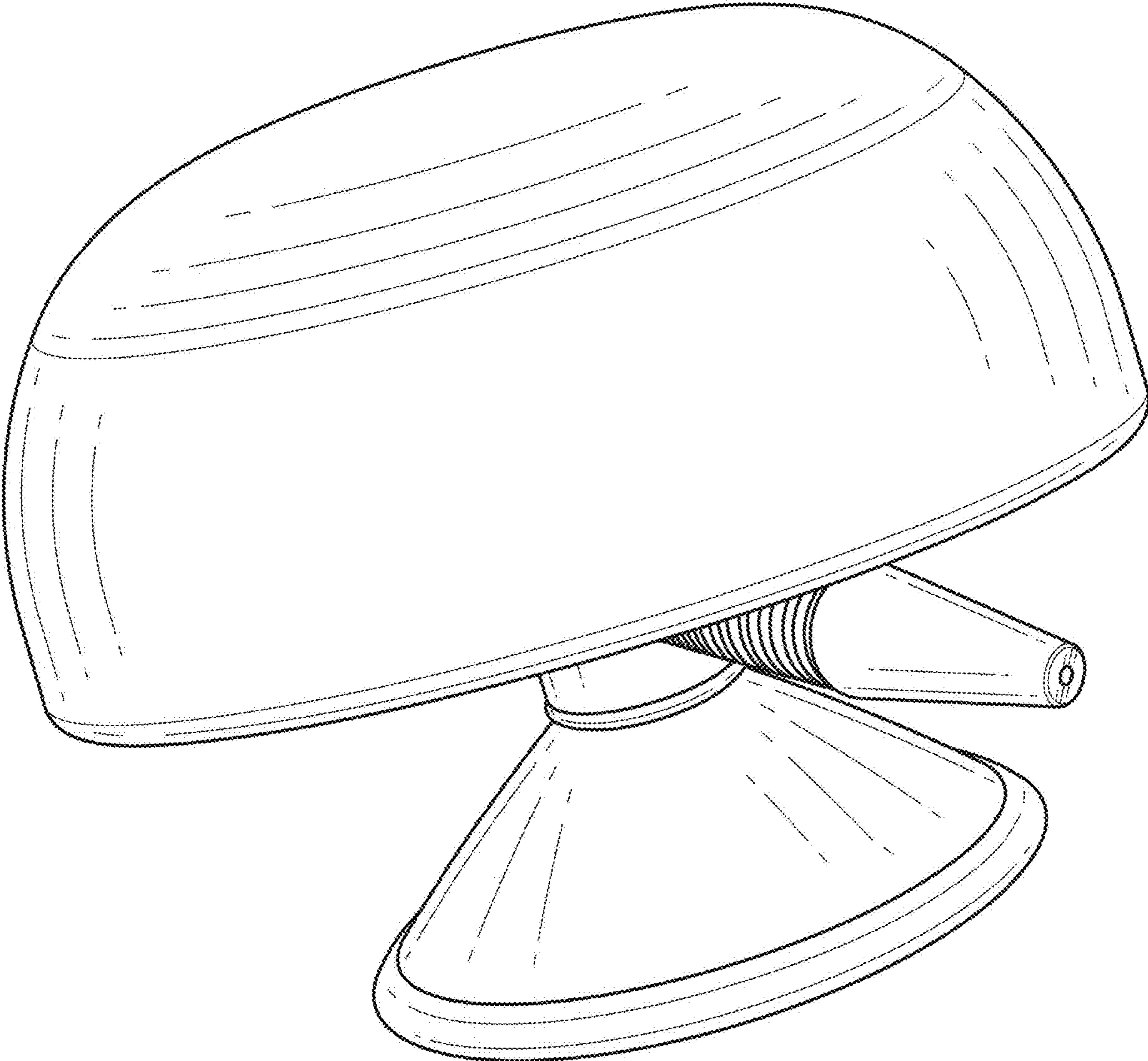
(56) **References Cited**

U.S. PATENT DOCUMENTS

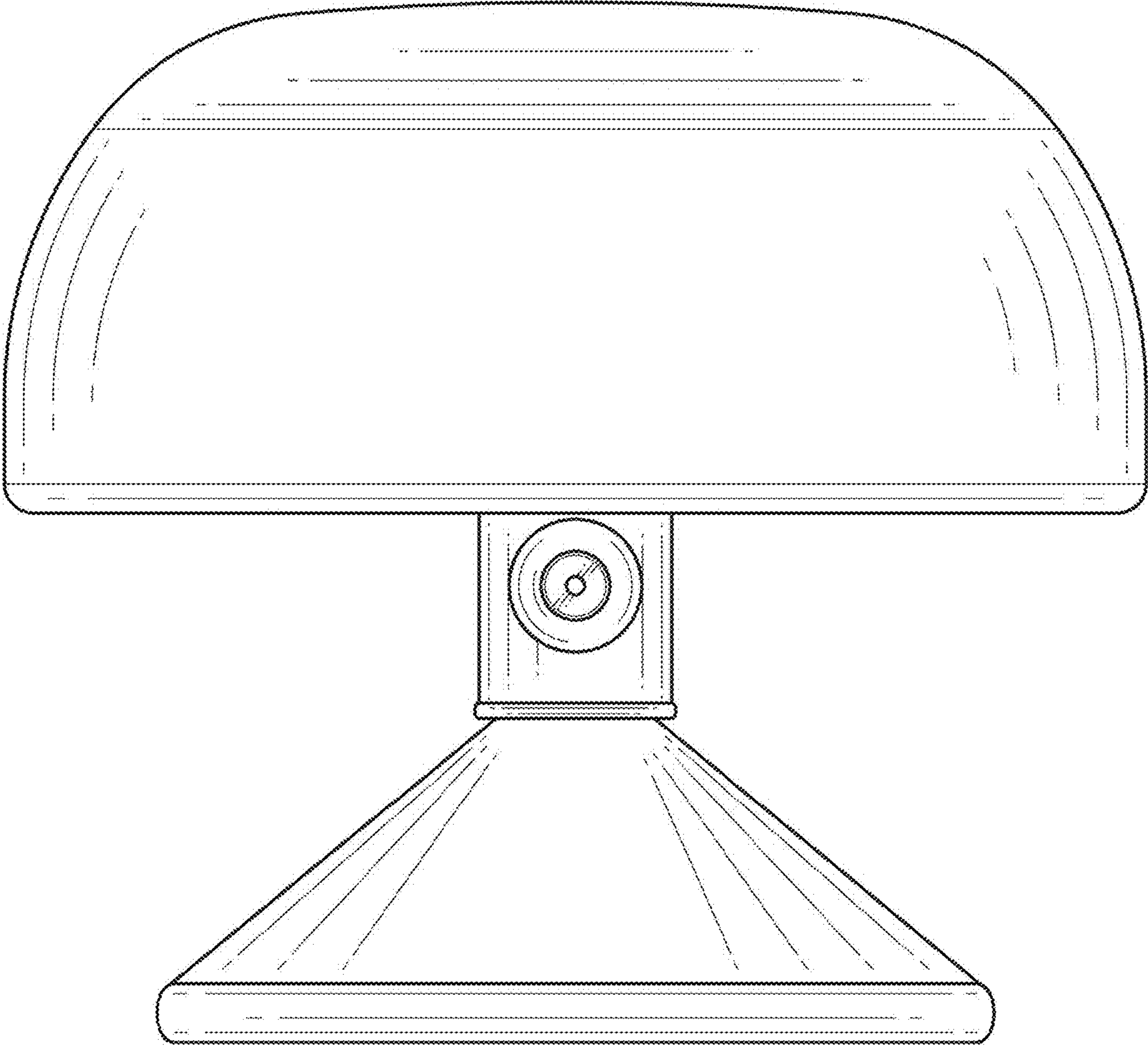
D183,662 S * 10/1958 Rhodes D8/34
 D386,065 S * 11/1997 Lewis D8/354
 D508,533 S * 8/2005 Siegel D19/65



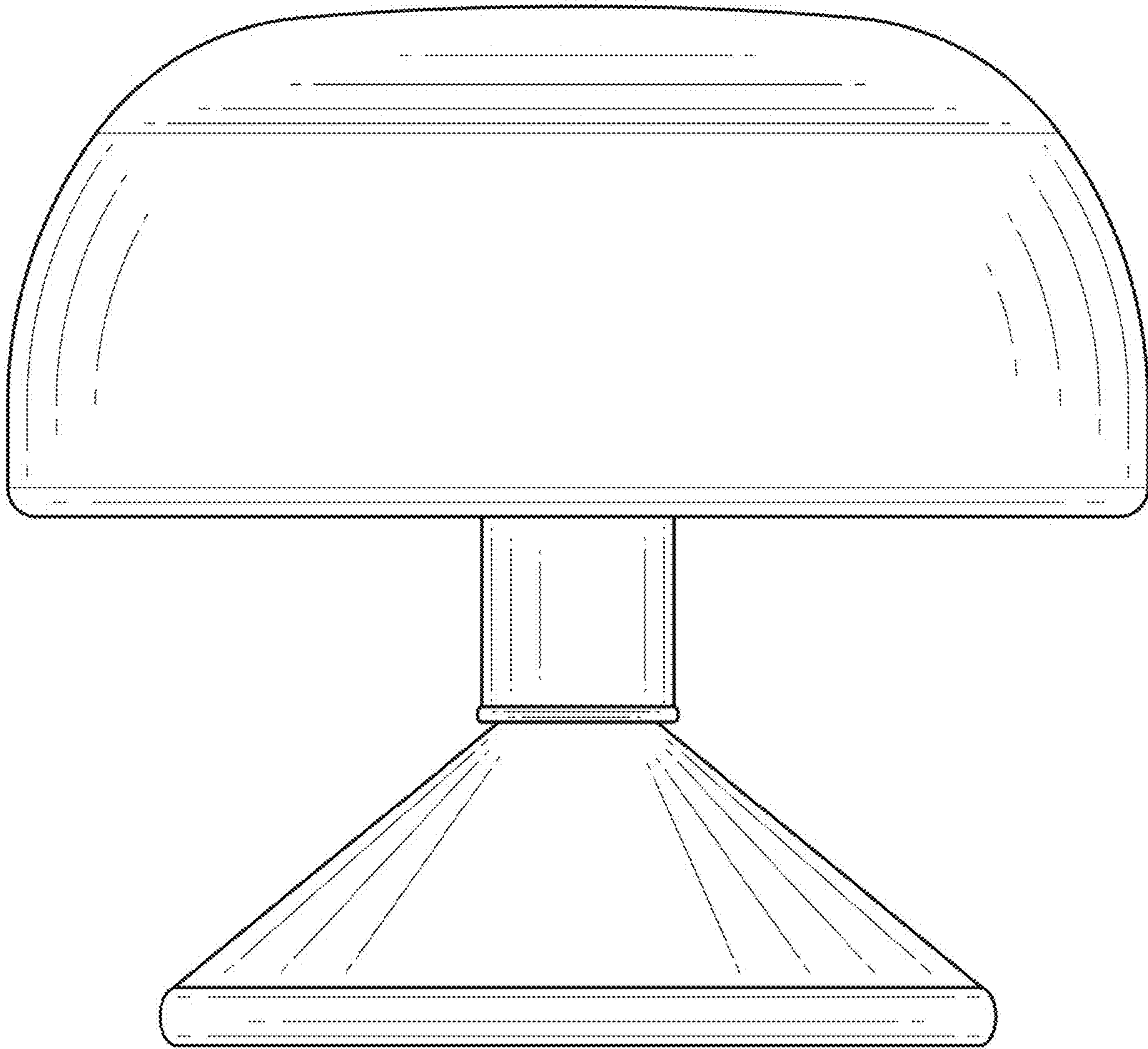
1.1



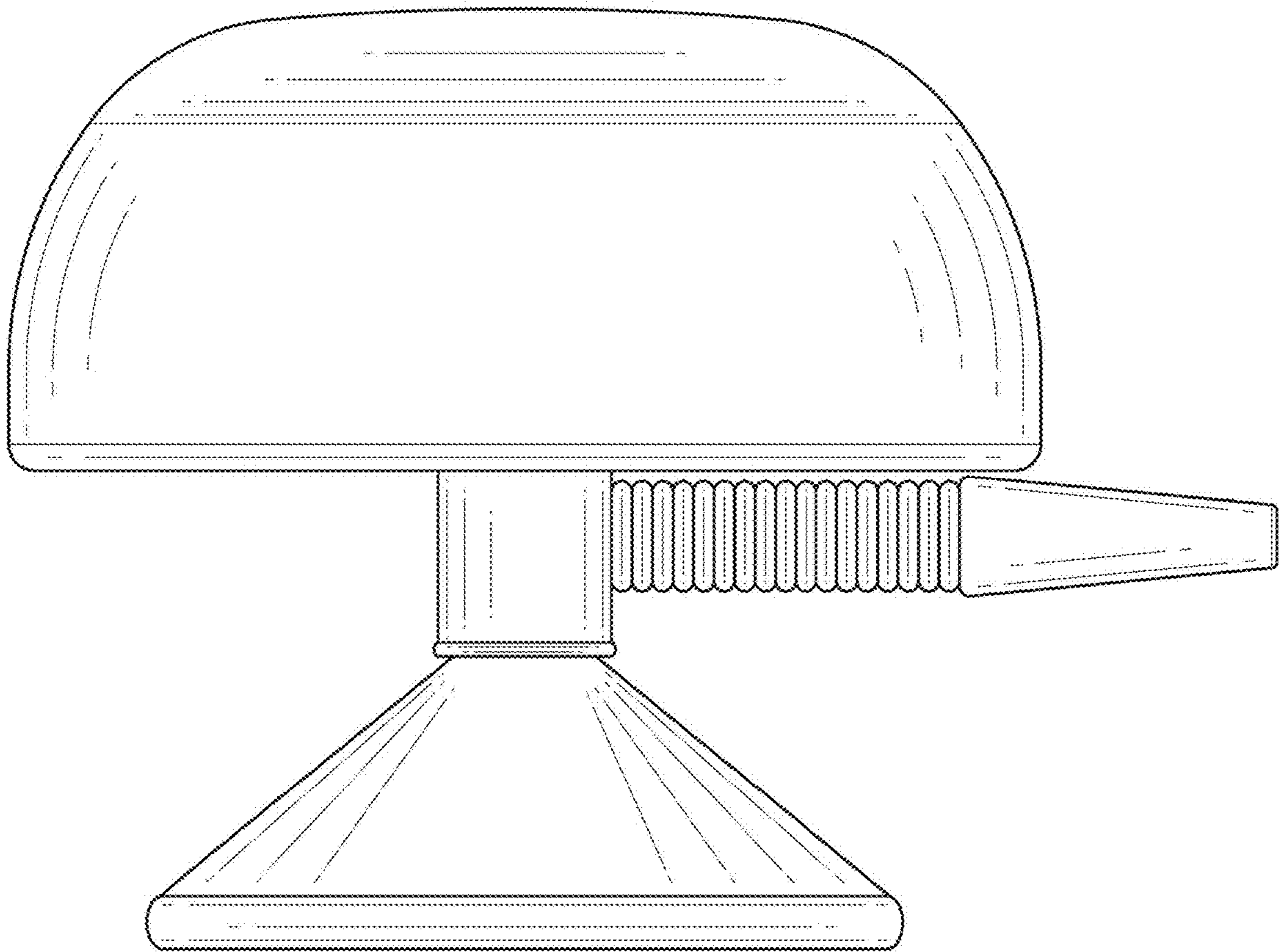
1.2



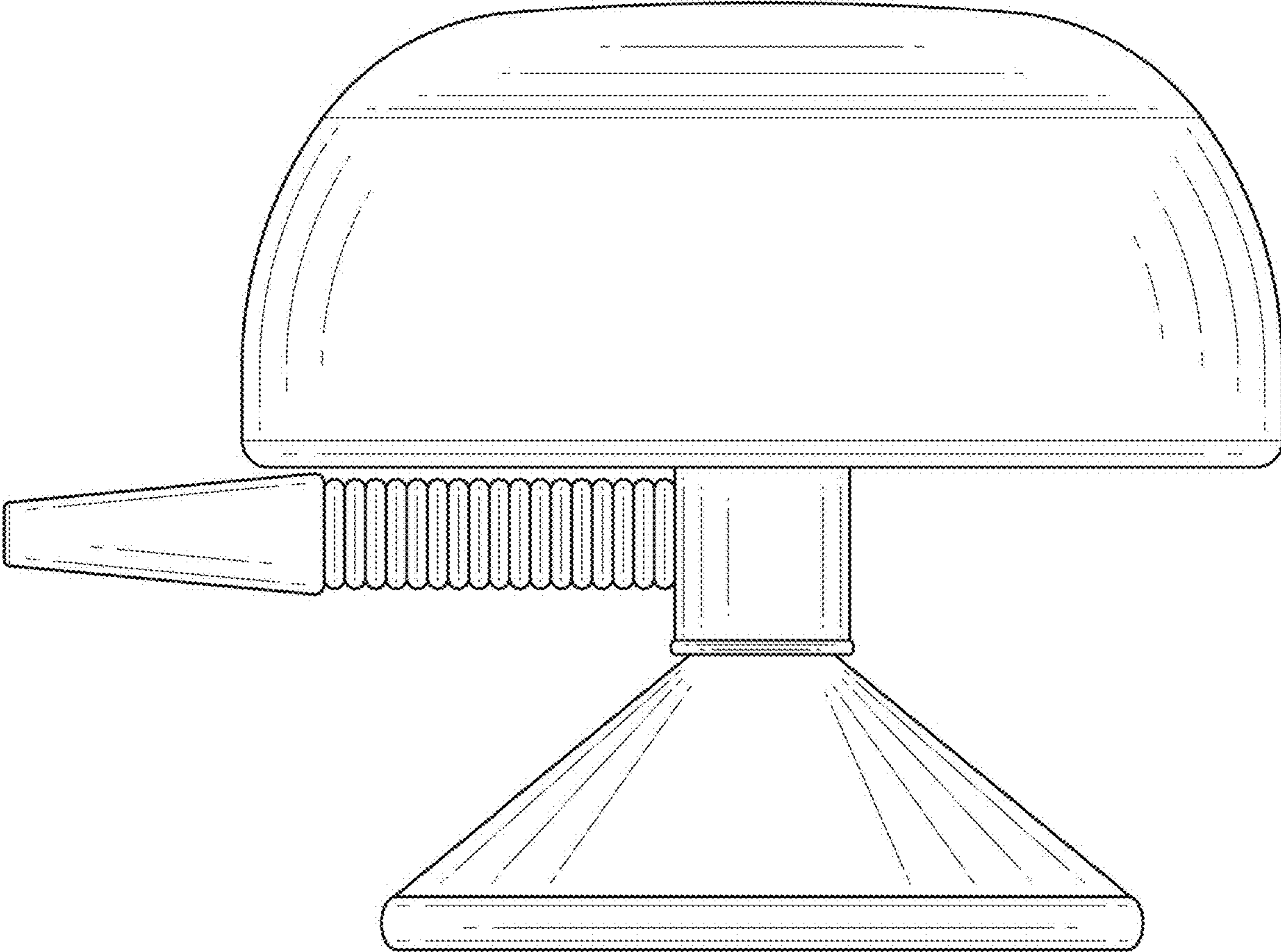
1.3



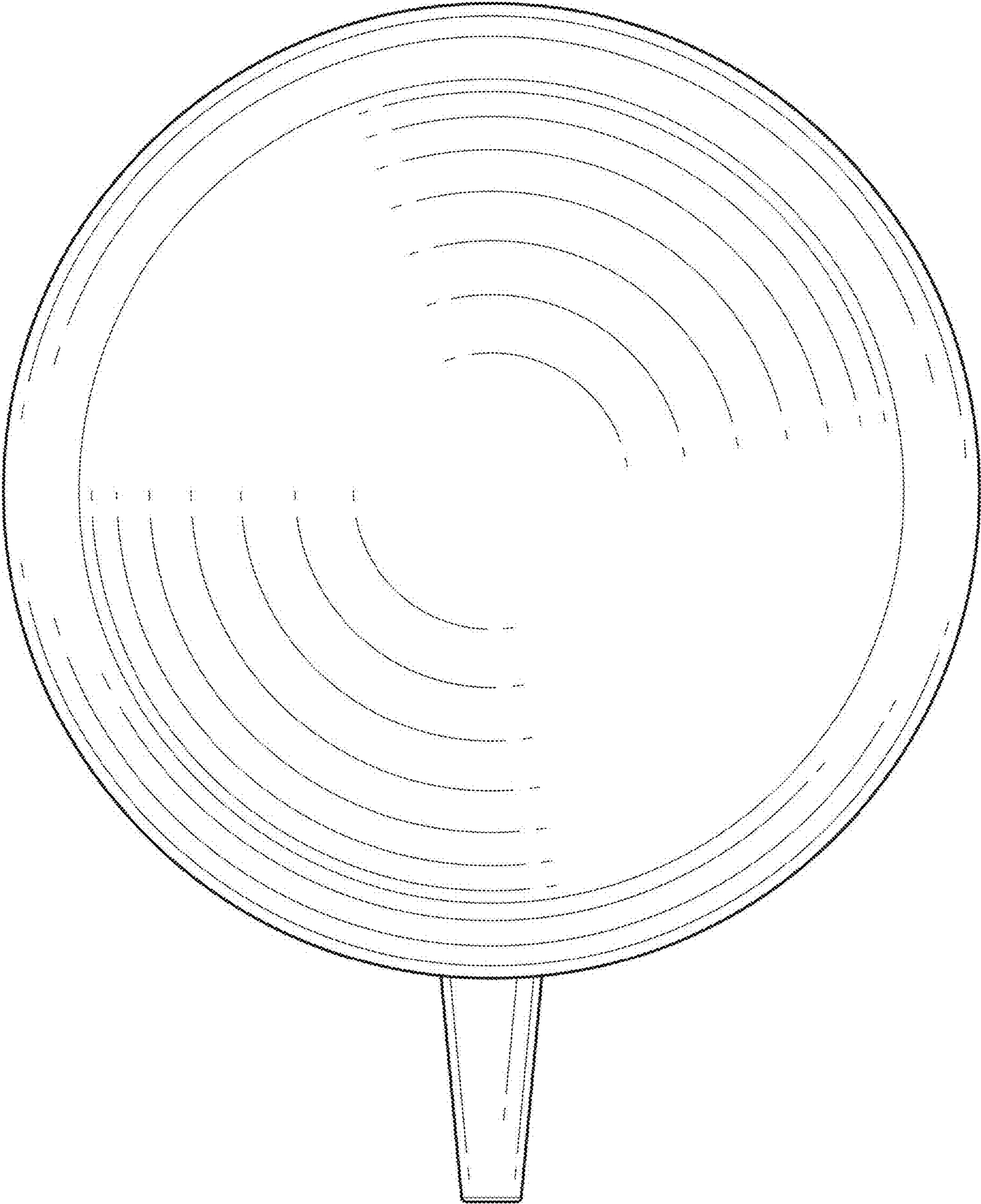
1.4



1.5



1.6



1.7

