



US00D915178S

(12) **United States Design Patent** (10) **Patent No.:** **US D915,178 S**
Tien (45) **Date of Patent:** **** Apr. 6, 2021**

(54) **LATCH STOPPER FOR A DOUBLE DOOR**

(71) Applicant: **I-TEK METAL MFG. CO., LTD,**
Tainan (TW)

(72) Inventor: **Hung-Jen Tien, Tainan (TW)**

(73) Assignee: **I-Tek Metal Mfg. Co., Ltd., Tainan (TW)**

(**) Term: **15 Years**

(21) Appl. No.: **29/667,830**

(22) Filed: **Oct. 25, 2018**

(51) **LOC (13) Cl.** **08-07**

(52) **U.S. Cl.**
USPC **D8/343; D8/323**

(58) **Field of Classification Search**
USPC D8/330-340, 341.11, 342-350, 352, 382,
D8/394-399; 292/341, 341.11, 340-346,
292/180

CPC G07C 9/00571; G07C 9/00674; G07C
9/00309; Y10T 292/53; Y10T 16/458;
Y10T 292/68; Y10T 292/0803; Y10T
292/0848; Y10T 70/5199; H04N 7/147;
H04N 7/186; H04N 5/232411; H05K
1/144; E05B 3/00; E05B 15/00; E05B
9/00; E05B 63/04; E05B 15/101; E05B
1/003; E05B 65/0811; E05B 17/18; E05B
83/00; E05B 15/0255; E05B 2015/023;
E05B 15/024; E05D 5/12; E05D 5/04;
E05D 5/02

See application file for complete search history.

(56) **References Cited**

U.S. PATENT DOCUMENTS

5,245,727 A * 9/1993 Sasaki E05D 5/08
16/240
D534,053 S * 12/2006 Sozzi D8/329
D548,044 S * 8/2007 Tang D8/323
D639,140 S * 6/2011 Bergmann D8/343

D649,008 S * 11/2011 Caffin D8/323
D789,766 S * 6/2017 Todd, Jr. D8/323
D791,575 S * 7/2017 Hochman D8/343
D804,280 S * 12/2017 Atkinson, Jr. D8/331
10,065,564 B2 * 9/2018 Romero Contreras ... B60R 7/02
D842,679 S * 3/2019 Todd, Jr. D8/323

(Continued)

FOREIGN PATENT DOCUMENTS

GB 2056476 * 5/1996
GB 3005022 * 7/2002

(Continued)

OTHER PUBLICATIONS

Toyful, 2 Pack Door Reinforcement Locks with 8 Screws, Home Security Door Lock, Date first available Feb. 21, 2019 [online]retrieved Aug. 24, 2020, available from internet, www.amazon.com (Year: 2019).*

(Continued)

Primary Examiner — Keli L Hill

Assistant Examiner — Sara S Sahneh

(74) *Attorney, Agent, or Firm* — Alan D. Kamrath; Karin L. Williams; Mayer & Williams PC

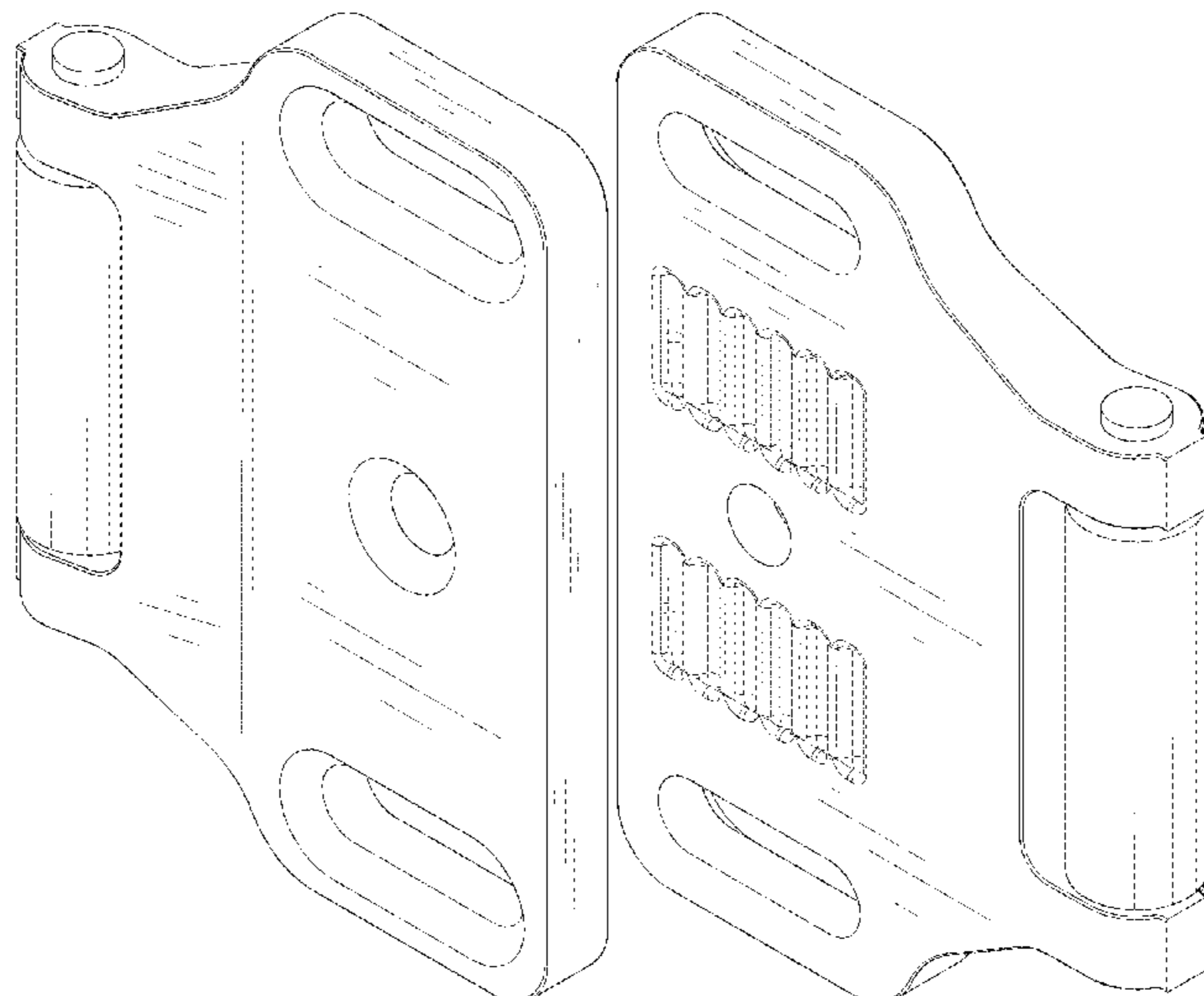
(57) **CLAIM**

The ornamental design for a latch stopper for a double door, as shown and described.

DESCRIPTION

FIG. 1 is a top, perspective view of a latch stopper for a double door showing my design;
FIG. 2 is a bottom, perspective view thereof;
FIG. 3 is a front elevational view thereof;
FIG. 4 is a rear elevational view thereof;
FIG. 5 is a left elevational view thereof;
FIG. 6 is a right elevational view thereof;
FIG. 7 is a top plan view thereof; and,
FIG. 8 is a bottom plan view thereof.

1 Claim, 8 Drawing Sheets



(56)

References Cited

U.S. PATENT DOCUMENTS

D842,680 S * 3/2019 Huang D8/330
D854,397 S * 7/2019 Hammerle D8/328
2014/0353989 A1* 12/2014 Nelson E05B 15/0245
292/341.18

FOREIGN PATENT DOCUMENTS

GB 6020324 * 10/2017
JP D1320325 * 5/2007
KR 300686824.0000 * 9/2011
KR 300879573.0000 * 1/2016
KR 2018065173 A * 6/2018 E05B 1/0038

OTHER PUBLICATIONS

Berlin Modisch Door, Lock Reinforcer Privacy Door Latch for in-Swinging Doors Extra High Resistance Home Door Security Lock, Date first available Aug. 13, 2019, [online]retrieved Aug. 24, 2020, available from internet, www.amazon.com (Year: 2019).*

Defender Security Satin, Nickel U 10827 Door Reinforcement Lock—Add Extra, High Security, Date first available May 24, 2013, [online]retrieved Aug. 24, 2020, available from internet, www.amazon.com (Year: 2013).*

1000 Series Exit Devices Catalog I-TEK ANSI Grade 1, Date first available Jun. 5, 2015, [online]retrieved Aug. 24, 2020; available from internet, <https://www.iteklock.com.tw/download/1000-series-exit-devices-catalog/?wpdmdl=2630&refresh=5f456e35375fc1598385717> (Year: 2015).*

* cited by examiner

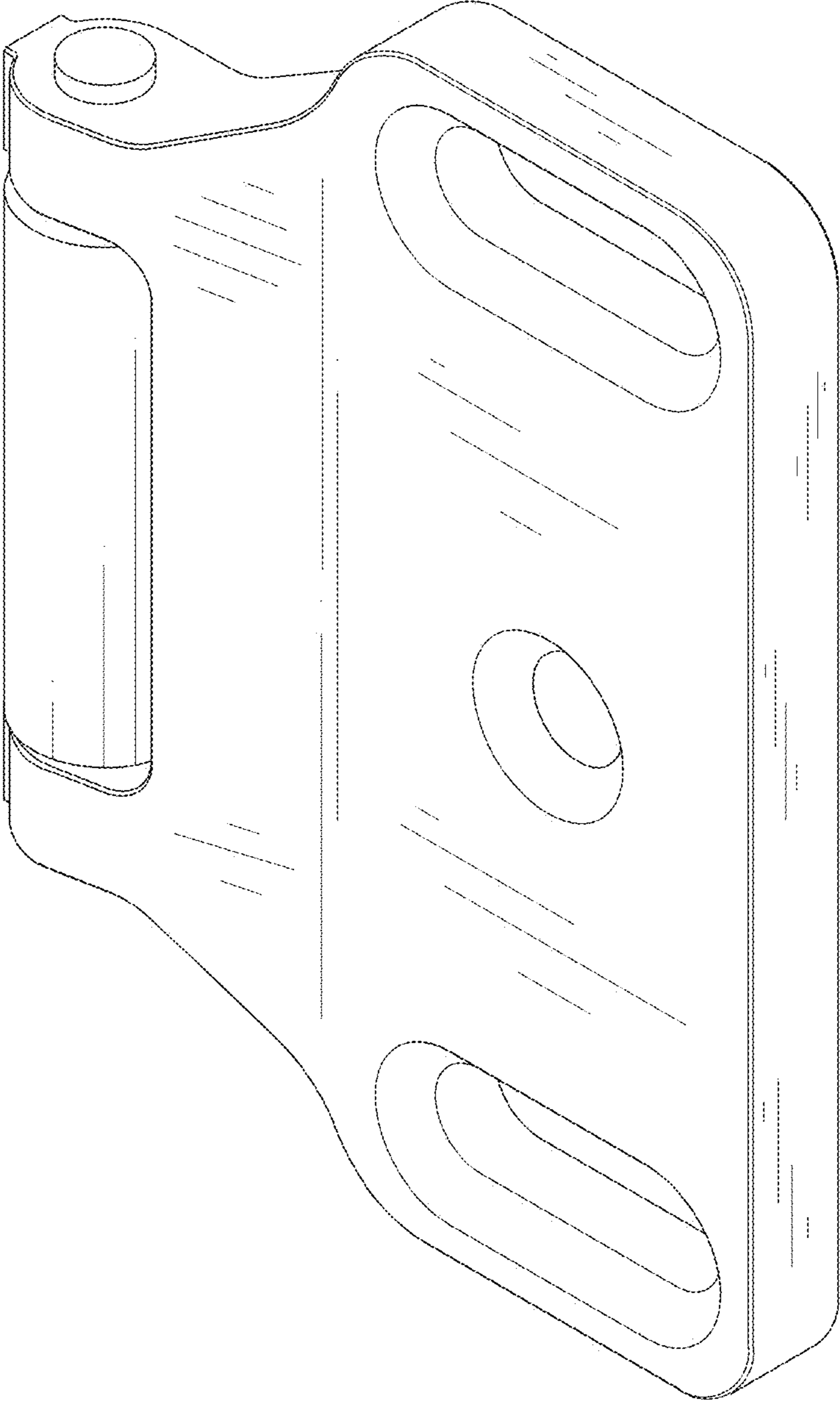


FIG.1

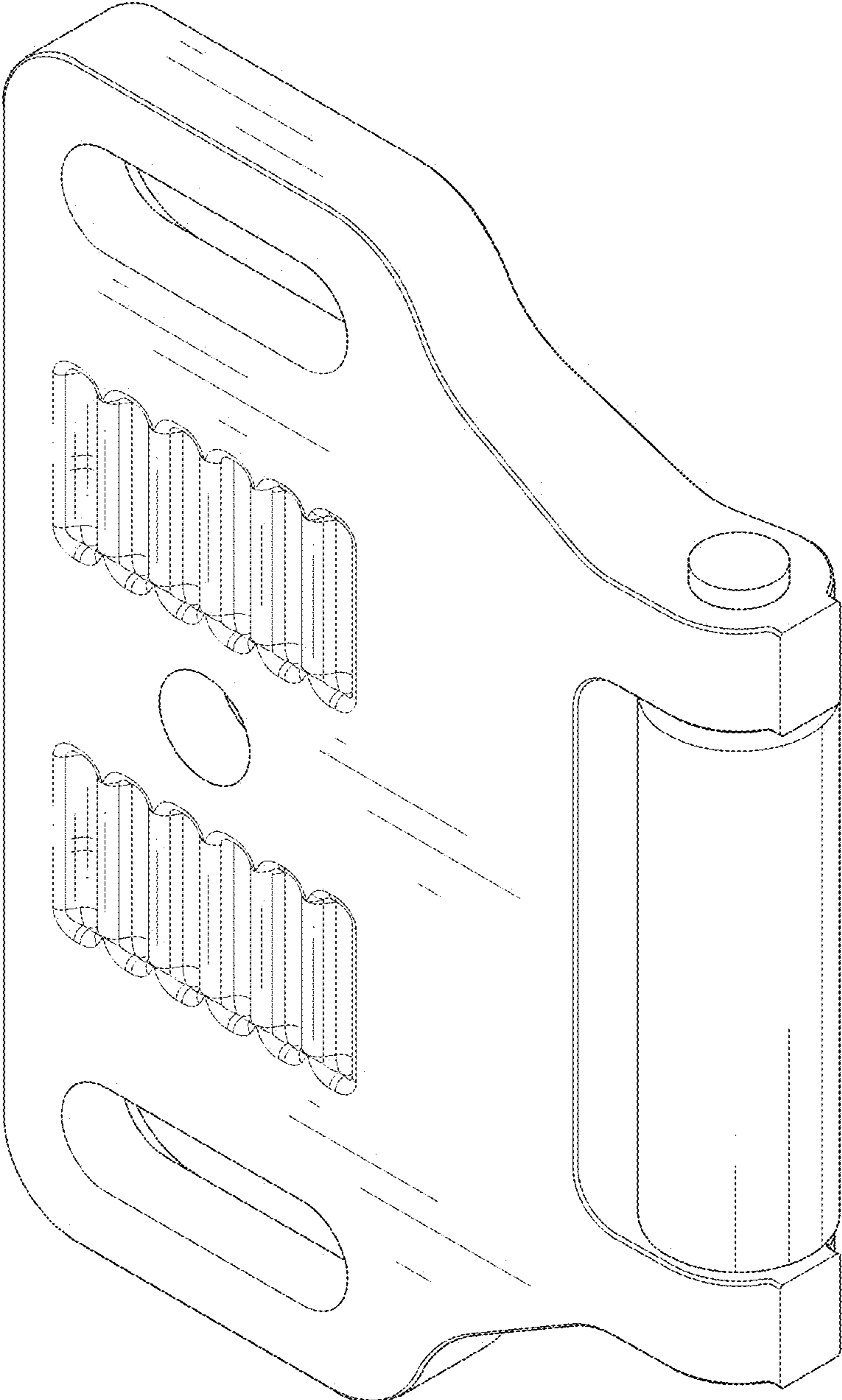


FIG.2

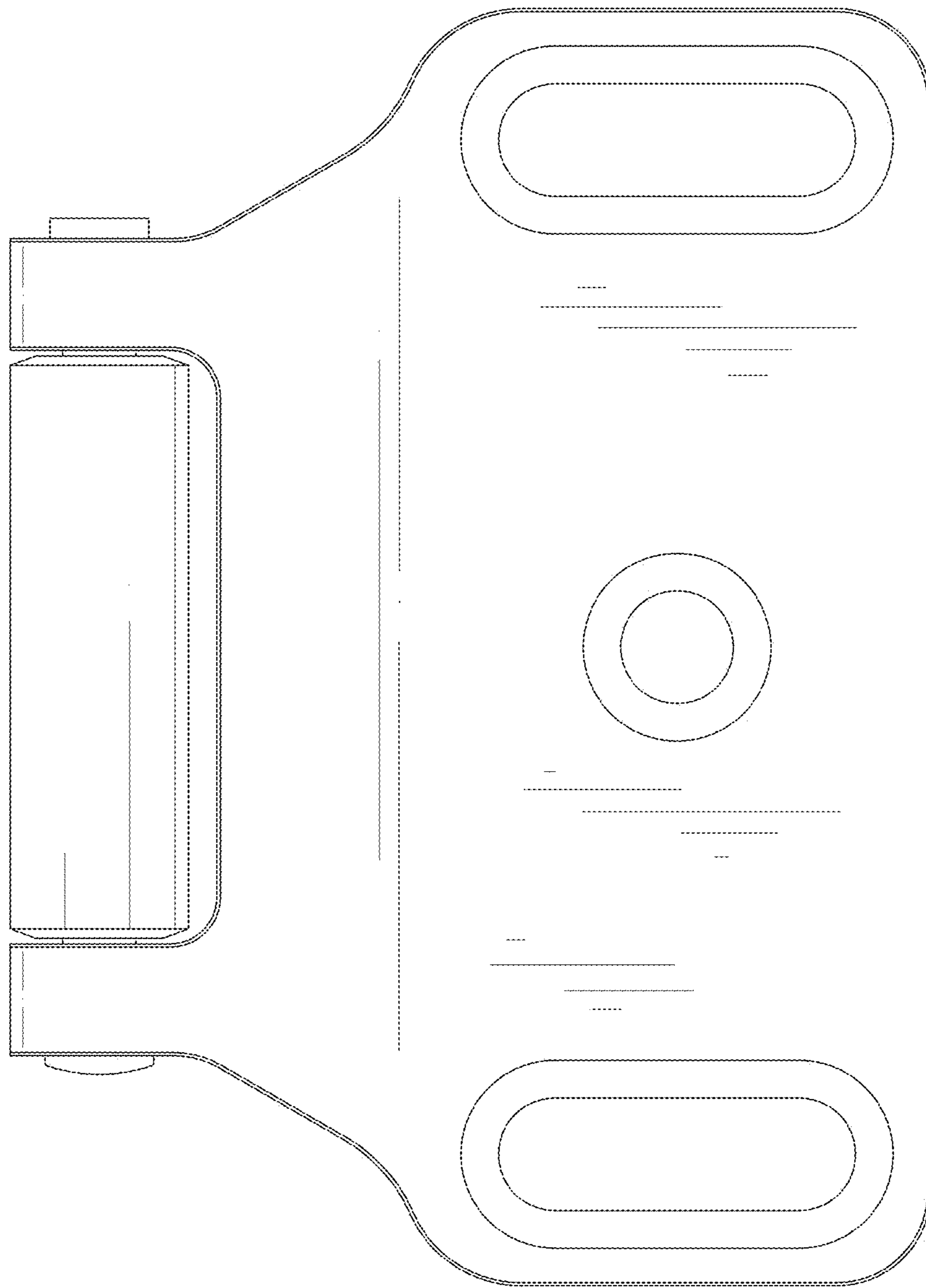


FIG.3

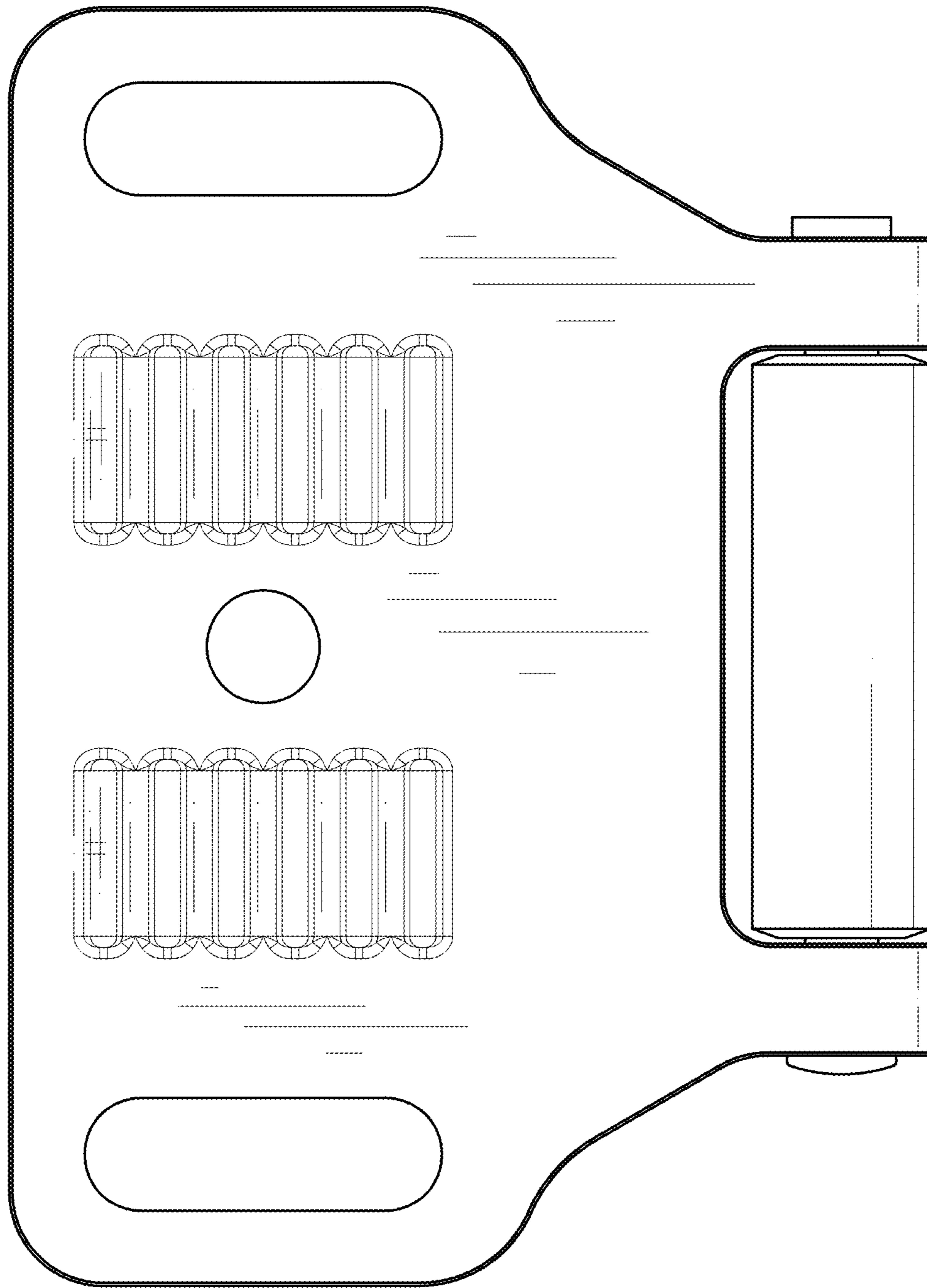


FIG.4

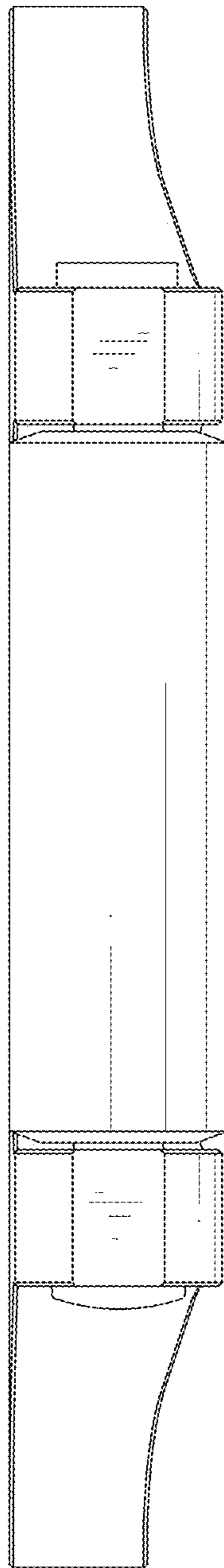


FIG.5

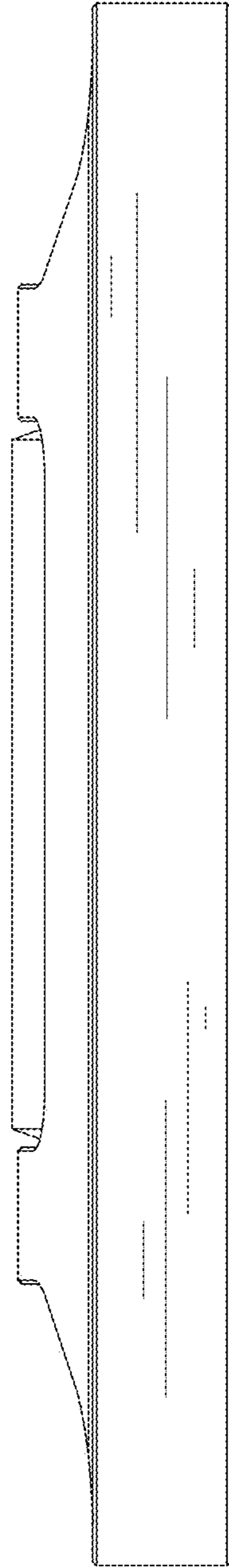


FIG.6

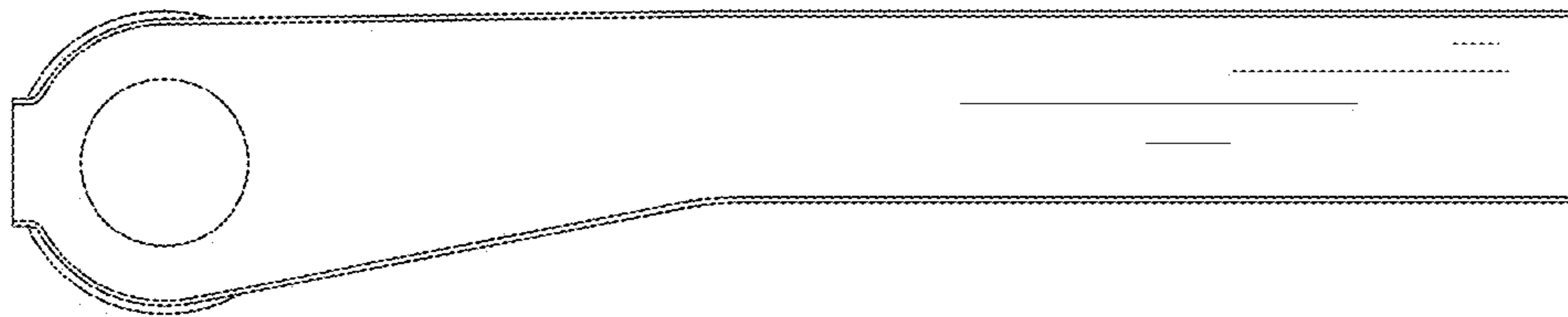


FIG. 7

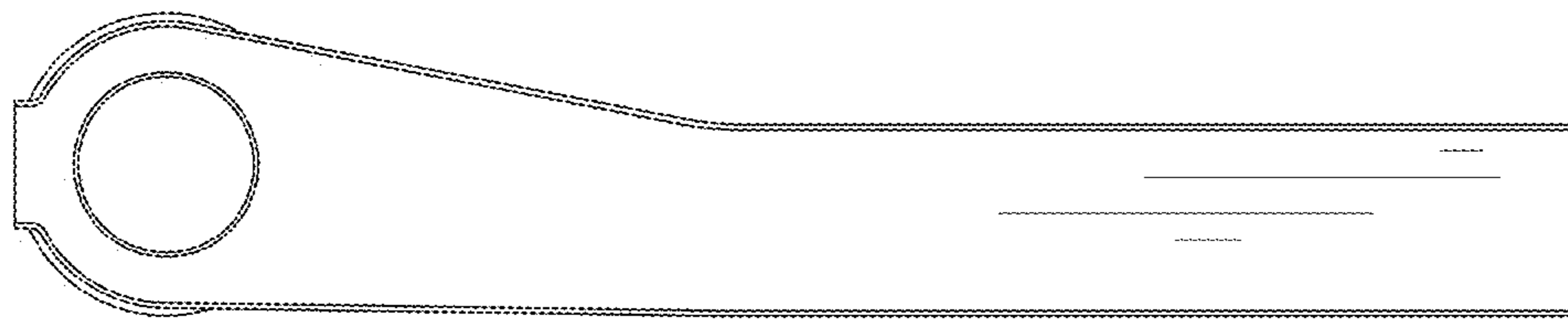


FIG.8