



US00D915177S

(12) **United States Design Patent**
Scarlett

(10) **Patent No.:** **US D915,177 S**

(45) **Date of Patent:** **** Apr. 6, 2021**

- (54) **STRIKER FOR A LATCH**
- (71) Applicant: **D & D Group Pty Ltd**, Frenchs Forest (AU)
- (72) Inventor: **James Scarlett**, Springwood (AU)
- (73) Assignee: **D & D Group Pty Ltd**, Frenchs Forest (AU)
- (**) Term: **15 Years**
- (21) Appl. No.: **29/678,846**
- (22) Filed: **Jan. 31, 2019**
- (30) **Foreign Application Priority Data**
 - Aug. 1, 2018 (AU) 201814596
- (51) **LOC (13) Cl.** **08-07**
- (52) **U.S. Cl.**
USPC **D8/331**
- (58) **Field of Classification Search**
 - USPC D8/330, 331, 336, 338, 339, 341, 342, D8/343, 344, 345, 350
 - CPC E05B 57/00; E05B 65/0007; E05B 7/00; E05B 17/2038; E05B 65/06; E05C 3/24; E05C 3/30; E05C 3/16; Y10S 292/13; Y10S 292/37; Y10S 292/29; Y10T 70/5363; Y10T 70/55

See application file for complete search history.

- D443,196 S * 6/2001 Sosa D8/323
- 6,898,953 B1 * 5/2005 Paprocki E05B 13/002 292/285
- D514,425 S * 2/2006 Hamilton D8/331
- 7,021,678 B1 * 4/2006 Raoult A01K 1/0017 256/1
- 7,201,030 B2 * 4/2007 Timothy E05B 65/0007 292/127
- D563,201 S * 3/2008 Antkowiak D8/343
- D563,765 S * 3/2008 Littrell D8/331
- D567,066 S * 4/2008 Antkowiak D8/343
- D568,716 S * 5/2008 Littrell D8/331
- D592,038 S * 5/2009 Littrell D8/331
- D601,403 S * 10/2009 Cosby D8/331
- D605,493 S * 12/2009 Tejszerski D8/331
- D633,367 S * 3/2011 Scherr D8/331
- D637,061 S * 5/2011 Mitchell D8/331
- 8,127,578 B2 * 3/2012 Karcz E05B 65/0007 70/135
- 8,966,947 B2 * 3/2015 Karcz E05B 65/0007 70/135
- D727,714 S * 4/2015 Gherlenda D8/331
- D733,520 S * 7/2015 Barna D8/330
- D737,656 S * 9/2015 MacErnis D8/331

(Continued)

Primary Examiner — Steven J Czyz
(74) *Attorney, Agent, or Firm* — Kelly & Kelley, LLP

(57) **CLAIM**

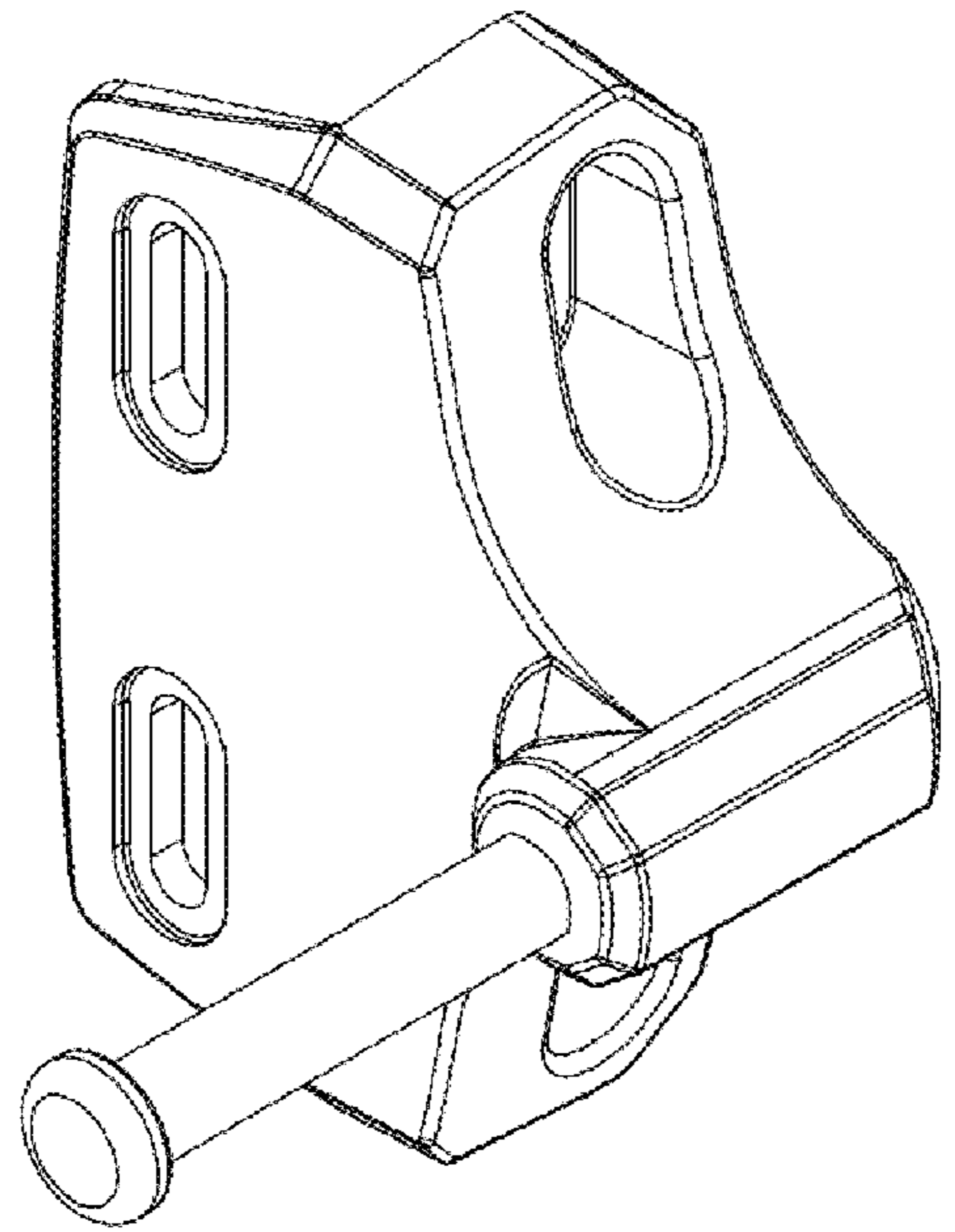
The ornamental design for a striker for a latch, as shown.

DESCRIPTION

FIG. 1 is a top, front and right-side perspective view of a striker for a latch, embodying my new design; FIG. 2 is a top, front and left-side elevational view thereof; FIG. 3 is a right-side elevational view thereof; FIG. 4 is a front elevational view thereof; FIG. 5 is a left-side elevational view thereof; FIG. 6 is a top plan view thereof; and, FIG. 7 is a bottom plan view thereof.

1 Claim, 7 Drawing Sheets

- (56) **References Cited**
 - U.S. PATENT DOCUMENTS
 - D272,041 S * 1/1984 Harris D8/330
 - D324,166 S * 2/1992 Greco D8/331
 - 5,358,292 A * 10/1994 Van Wiebe E05B 53/003 292/125
 - D396,626 S * 8/1998 Francom D8/323



(56)

References Cited

U.S. PATENT DOCUMENTS

D794,417 S	*	8/2017	Hogan	D8/343
D869,932 S	*	12/2019	Kingsbury	D8/331
D880,981 S	*	4/2020	Buum	D8/331
D881,676 S	*	4/2020	Langrell	D8/331

* cited by examiner

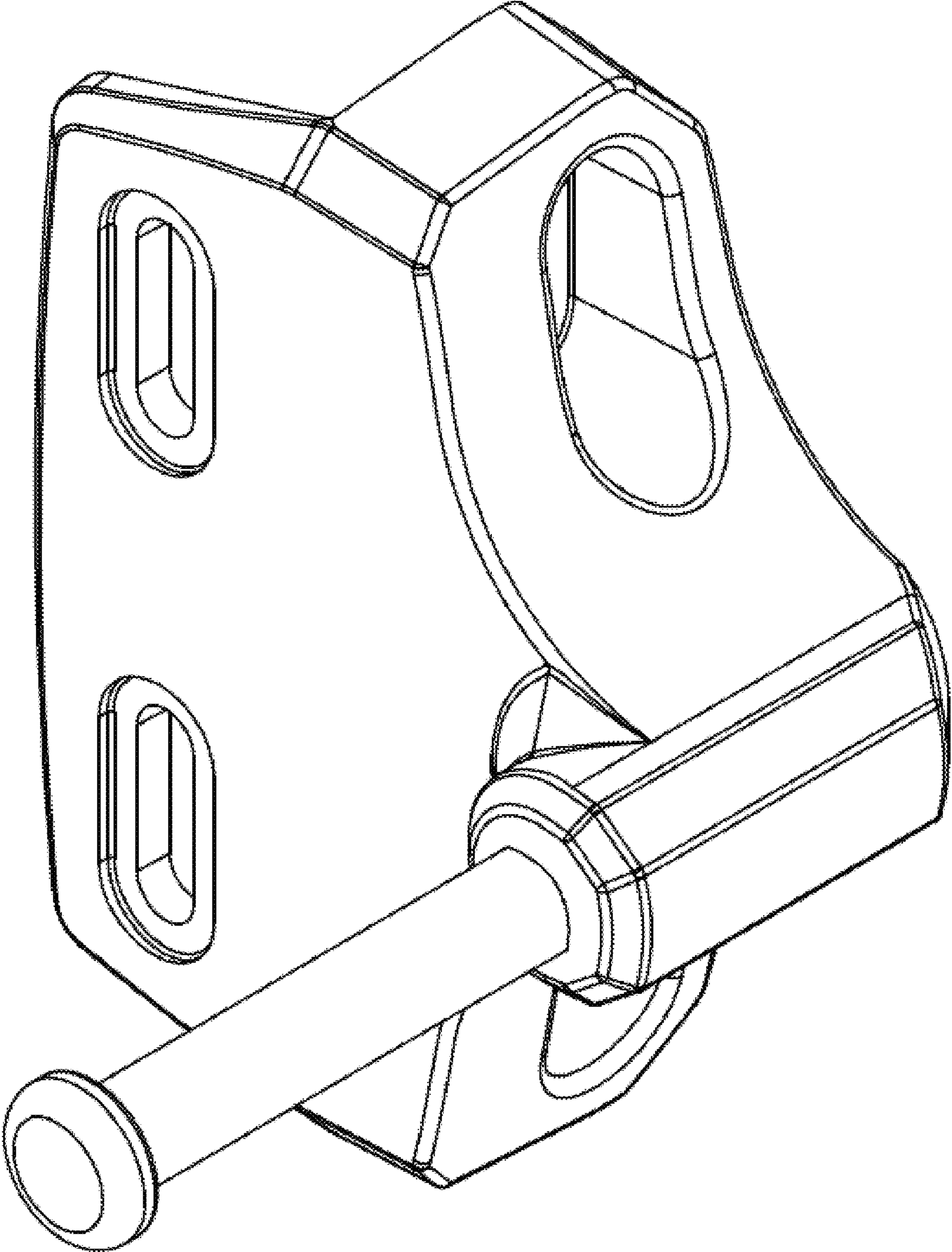


Fig. 1

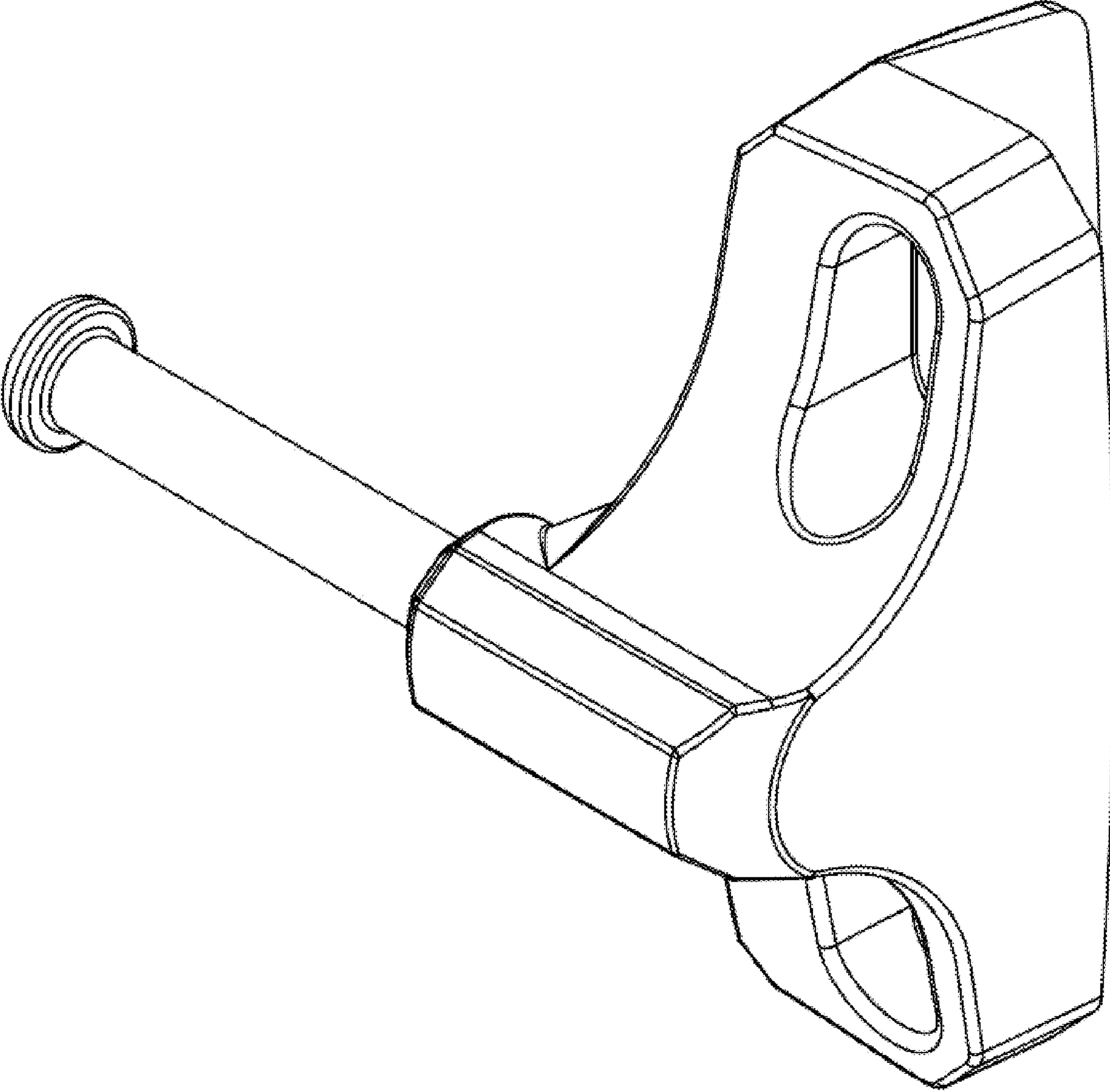


Fig. 2

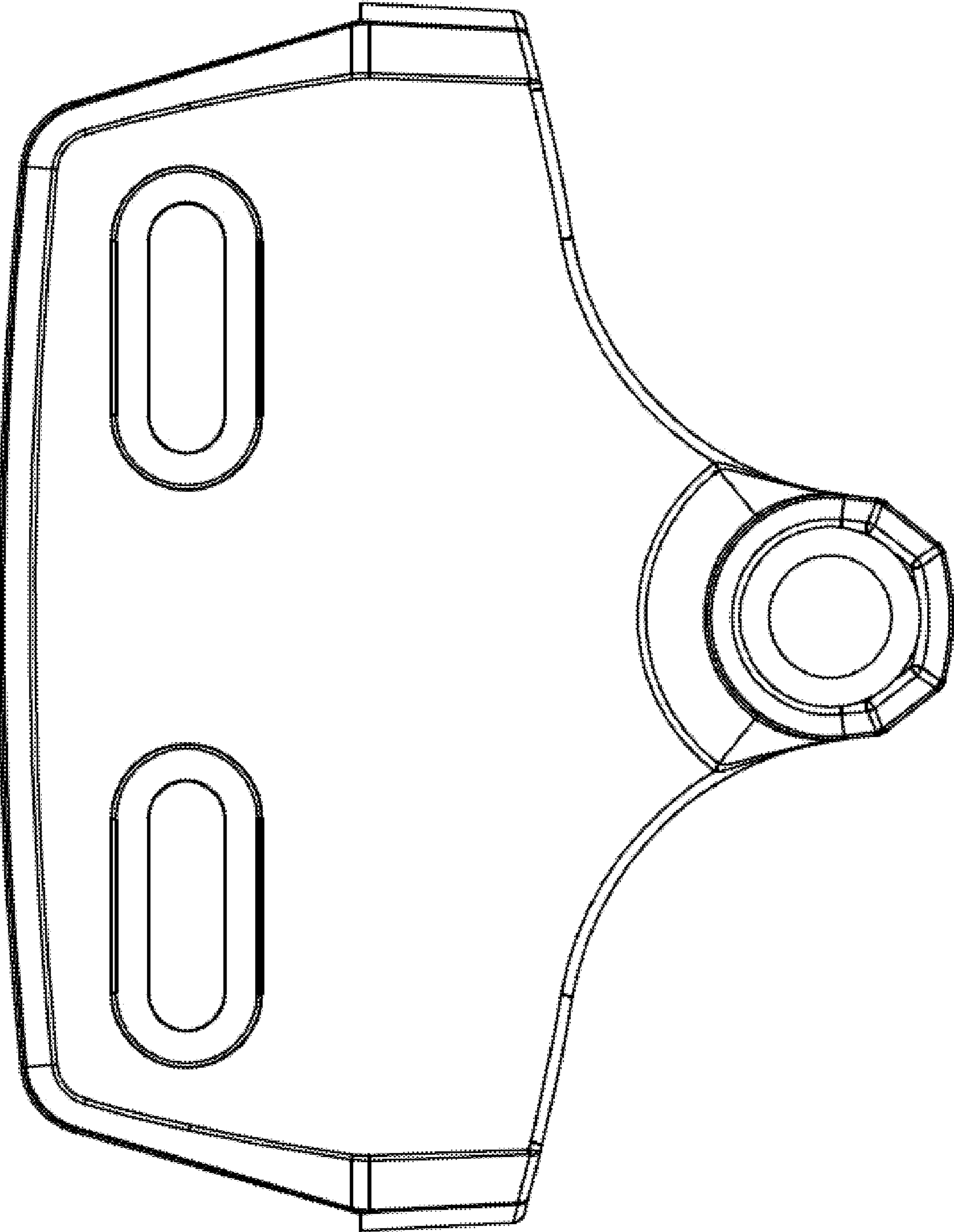


Fig. 3

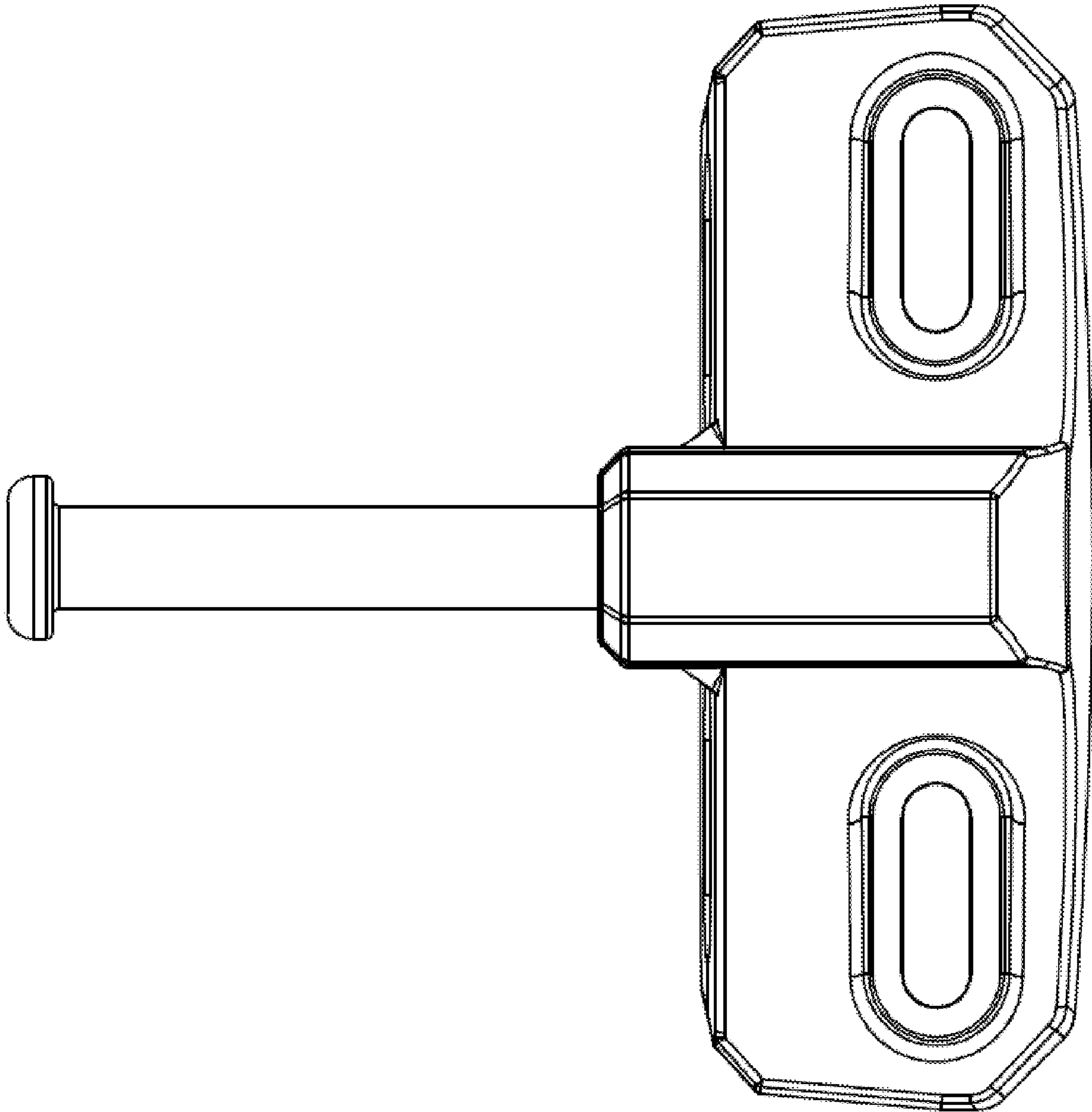


Fig. 4

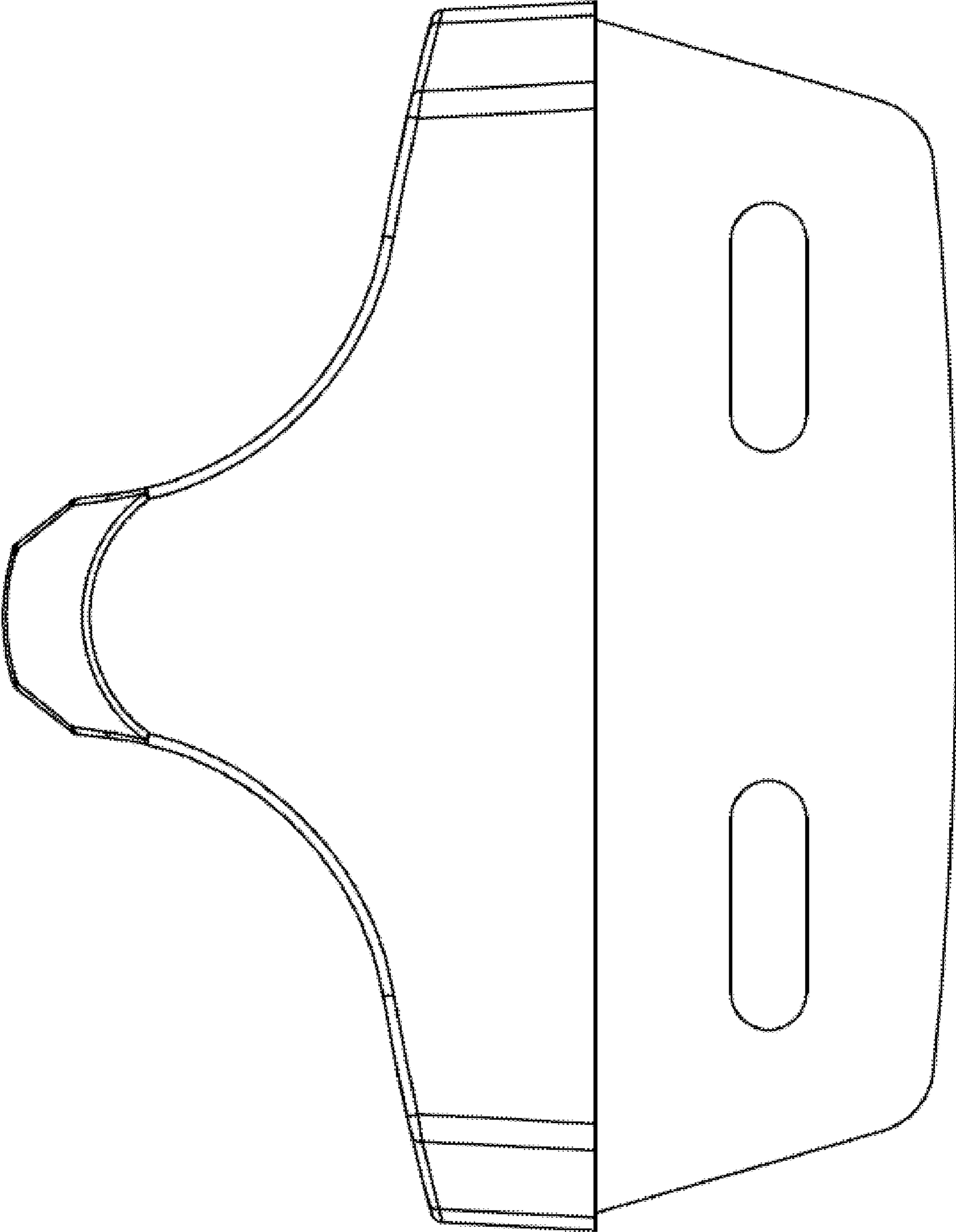


Fig. 5

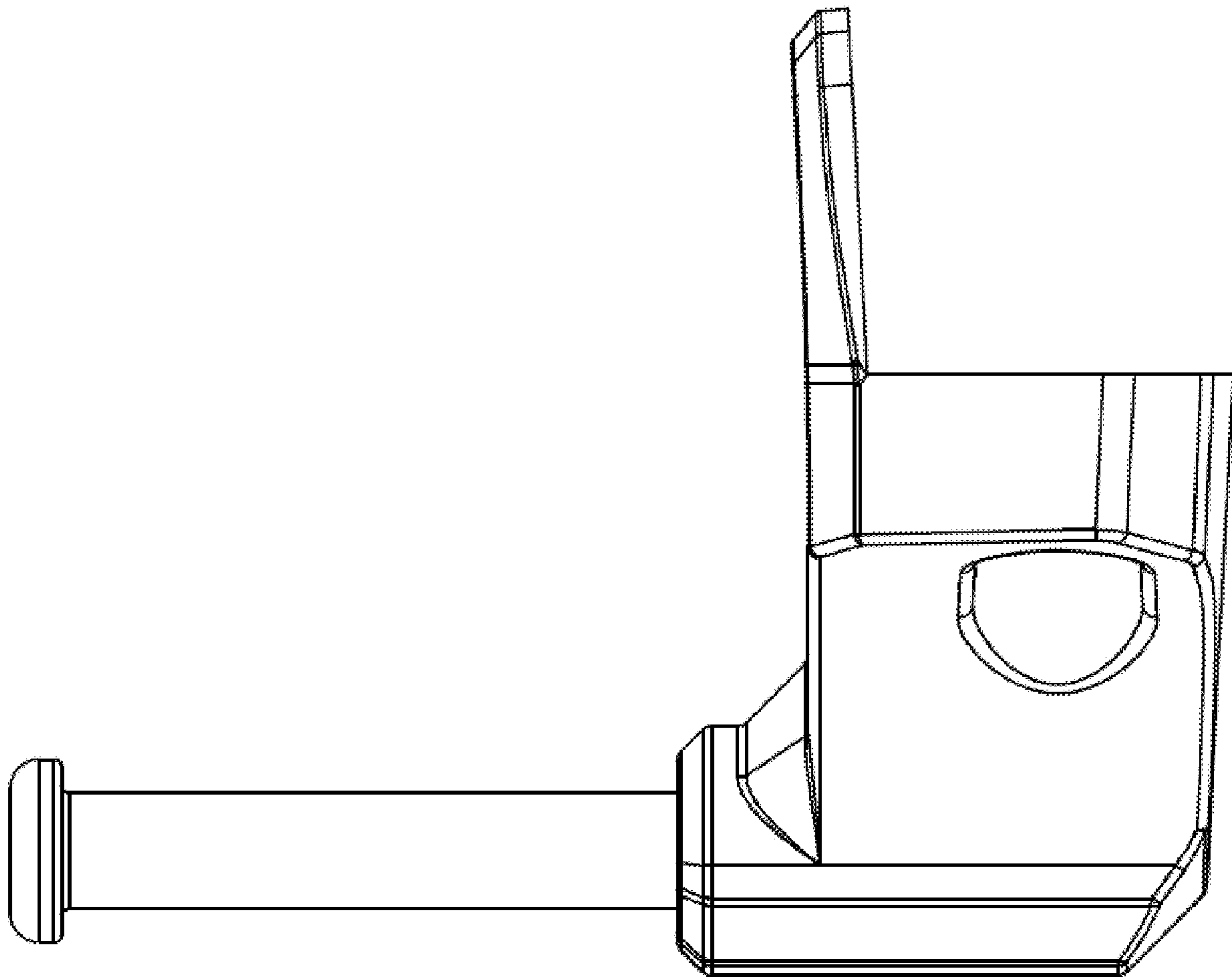


Fig. 6

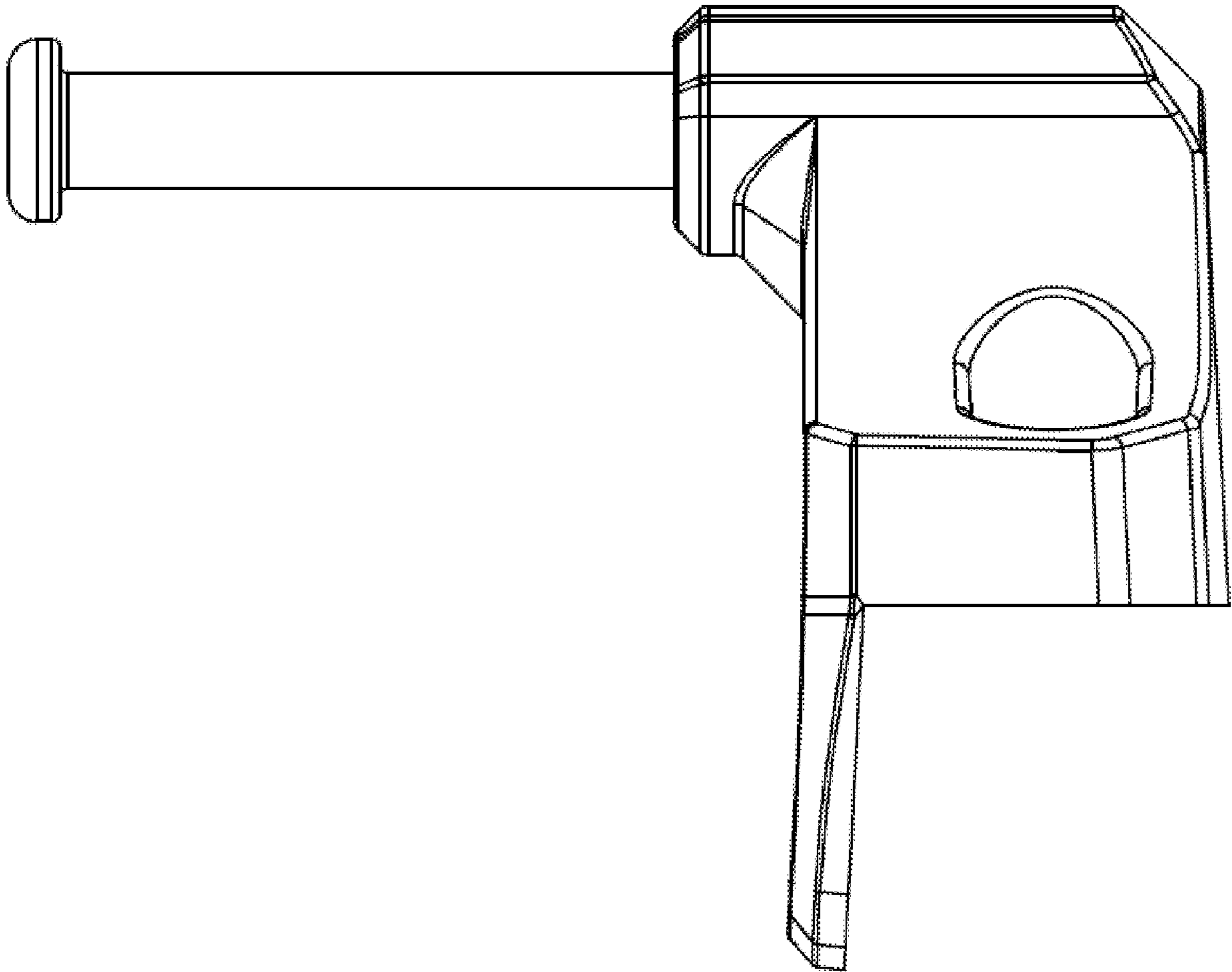


Fig. 7