

US00D915174S

(12) **United States Design Patent**  
**Murphy**

(10) **Patent No.:** **US D915,174 S**

(45) **Date of Patent:** **\*\* Apr. 6, 2021**

(54) **ILLUMINATED FOLDING HANDLE**

(71) Applicant: **ITC Incorporated**, Hudsonville, MI (US)

(72) Inventor: **Timothy Murphy**, Zeeland, MI (US)

(73) Assignee: **ITC Incorporated**, Hudsonville, MI (US)

(\*\*) Term: **15 Years**

(21) Appl. No.: **29/721,906**

(22) Filed: **Jan. 24, 2020**

(51) **LOC (13) Cl.** ..... **08-06**

(52) **U.S. Cl.**  
USPC ..... **D8/317; D23/304**

(58) **Field of Classification Search**  
USPC ..... D23/303–304, 280.2; D8/315–321  
CPC . A47K 3/003; A47K 3/00; A47K 3/02; A47K 3/022

See application file for complete search history.

(56) **References Cited**

**U.S. PATENT DOCUMENTS**

3,414,909	A *	12/1968	Provi	.....	A47K 3/003
					4/577.1
D217,335	S *	4/1970	Singer	.....	D9/434
D257,297	S *	10/1980	Keller	.....	150/107
D291,405	S *	8/1987	Finesman	.....	D7/394
4,976,455	A *	12/1990	Brammer, Sr.	.....	B60P 3/36
					16/319
D340,399	S *	10/1993	Paglia	.....	D8/317
6,592,240	B2 *	7/2003	Camarota	.....	A47K 3/003
					362/399
6,843,468	B2 *	1/2005	Marshall	.....	A47K 3/003
					248/205.1

7,007,366	B1 *	3/2006	Eby	.....	B60P 3/36
					29/434
7,195,232	B2 *	3/2007	Marshall	.....	A47K 3/003
					16/438
7,374,319	B2 *	5/2008	Camarota	.....	A47K 3/003
					16/110.1
D625,022	S *	10/2010	Honeycutt	.....	D25/38.1
D779,644	S *	2/2017	Waggoner	.....	D23/304
D805,654	S *	12/2017	Ziaylek	.....	D25/41.1
9,885,470	B1 *	2/2018	Jean	.....	F21V 33/006
10,550,576	B2 *	2/2020	Morrison	.....	E04F 11/1804
2003/0029974	A1 *	2/2003	Marshall	.....	A47K 3/003
					248/205.1

\* cited by examiner

*Primary Examiner* — Janice Hallmark

*Assistant Examiner* — Harold E Blackwell, II

(74) *Attorney, Agent, or Firm* — Varnum LLP

(57) **CLAIM**

I claim the ornamental design for a illuminated folding handle, as shown and described.

**DESCRIPTION**

FIG. 1 is a top perspective view of an illuminated folding handle;

FIG. 2 is a bottom perspective view of an illuminated folding handle;

FIG. 3 is a left side view of an illuminated folding handle;

FIG. 4 is a right side view of an illuminated folding handle;

FIG. 5 is an front view of an illuminated folding handle;

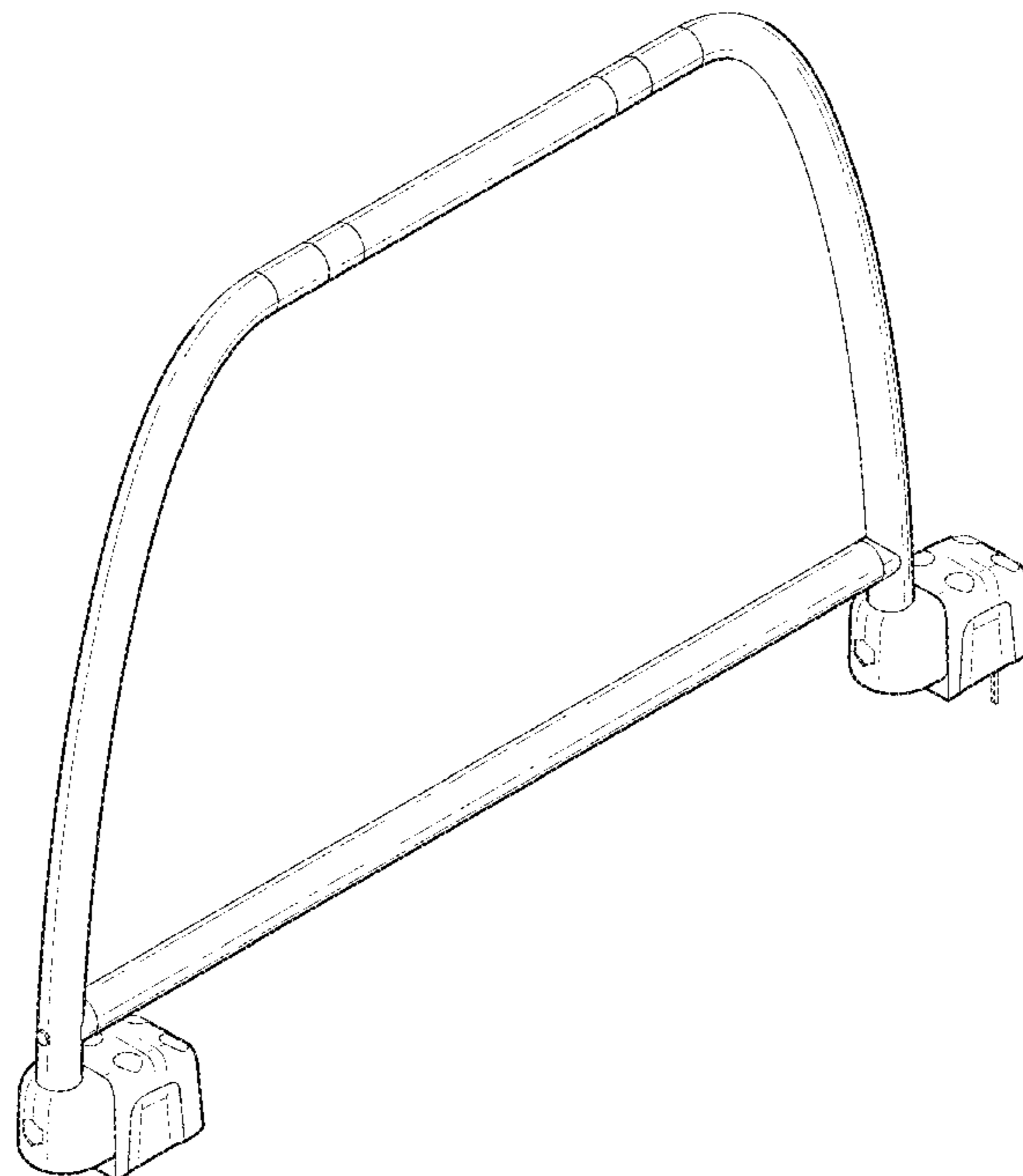
FIG. 6 is a back view of an illuminated folding handle;

FIG. 7 is a top view of an illuminated folding handle; and,

FIG. 8 is a bottom view of an illuminated folding handle.

The broken lines in the drawings depict environmental subject matter only and form no part of the claimed design.

**1 Claim, 6 Drawing Sheets**



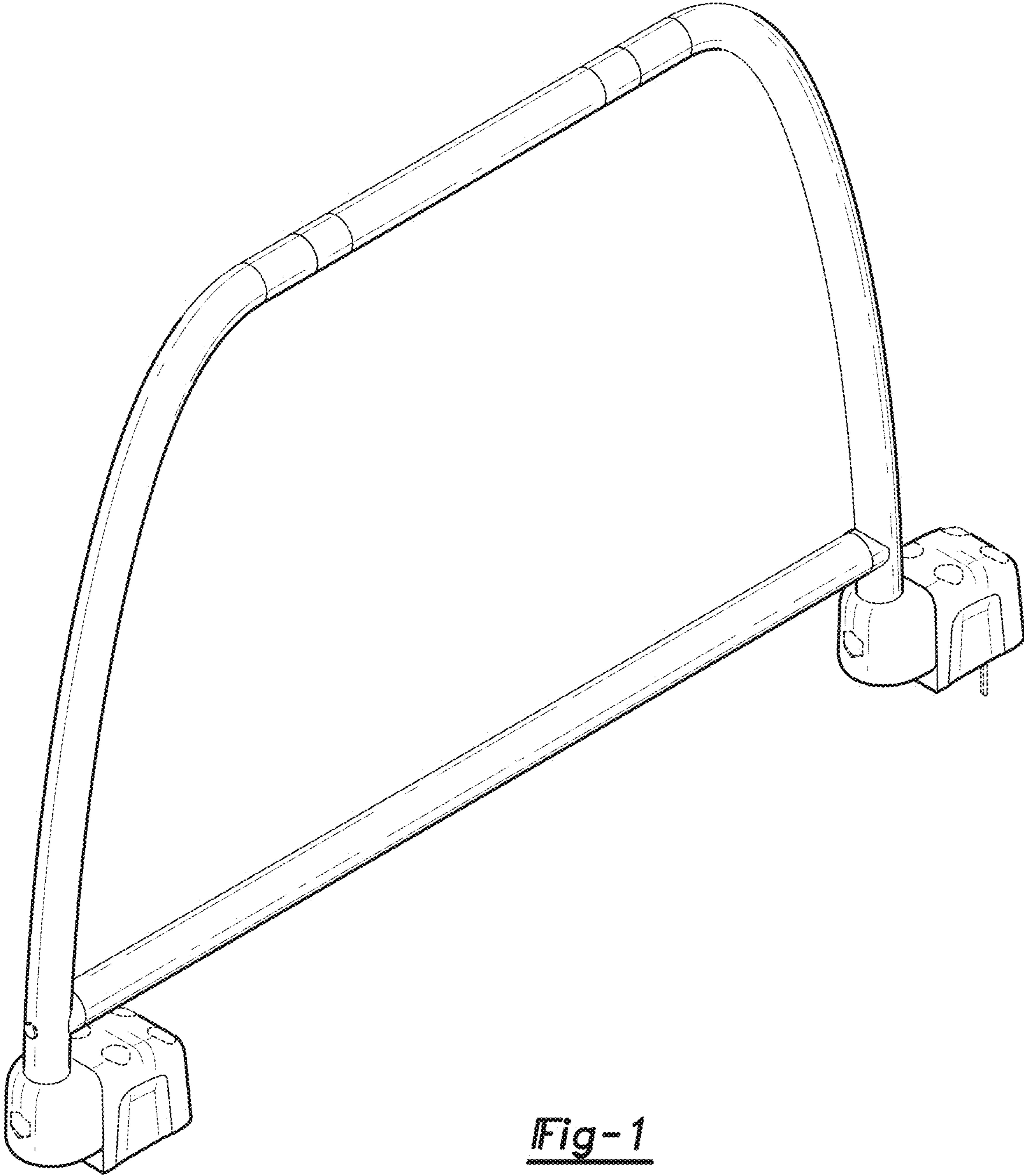


Fig-1

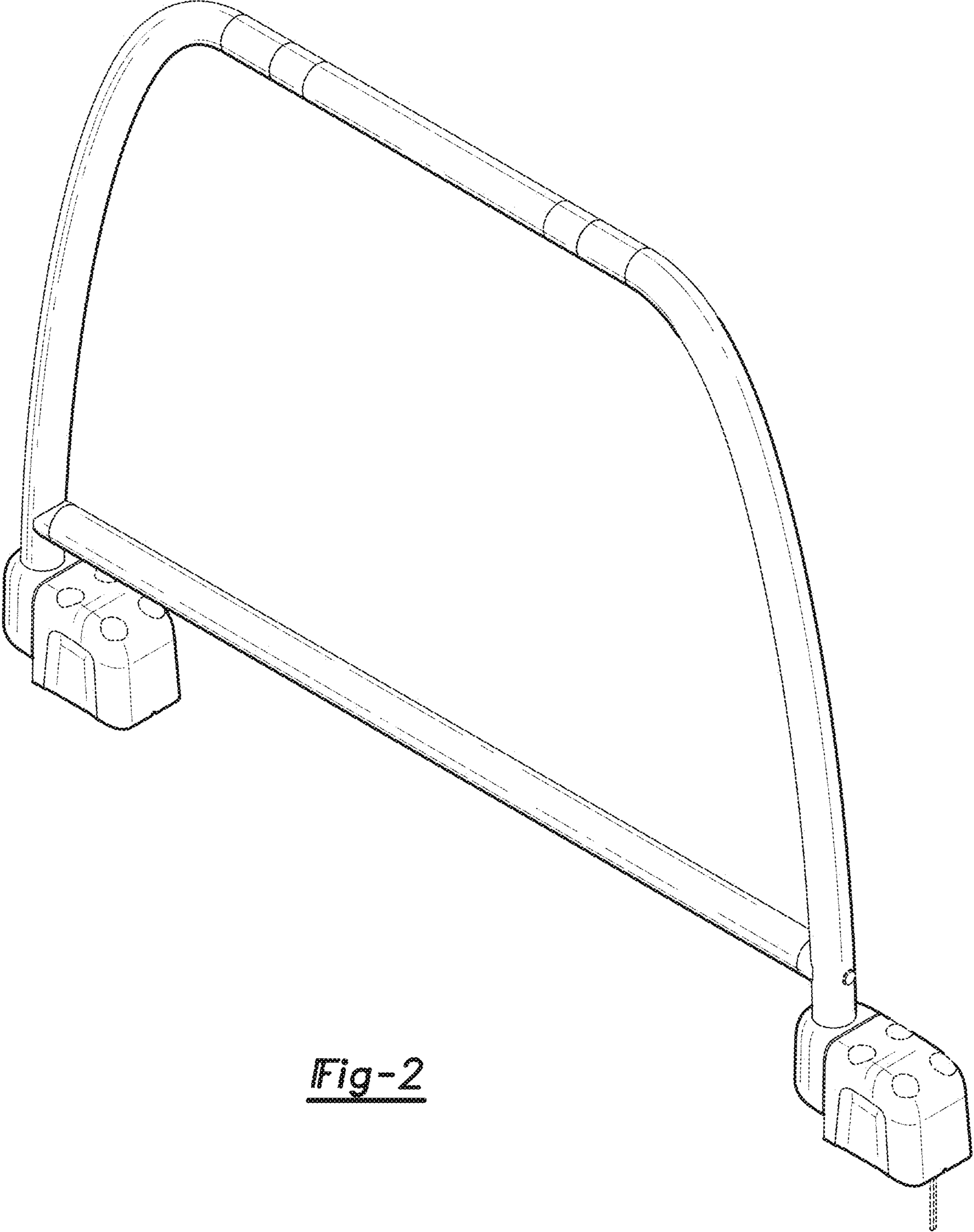


Fig-2

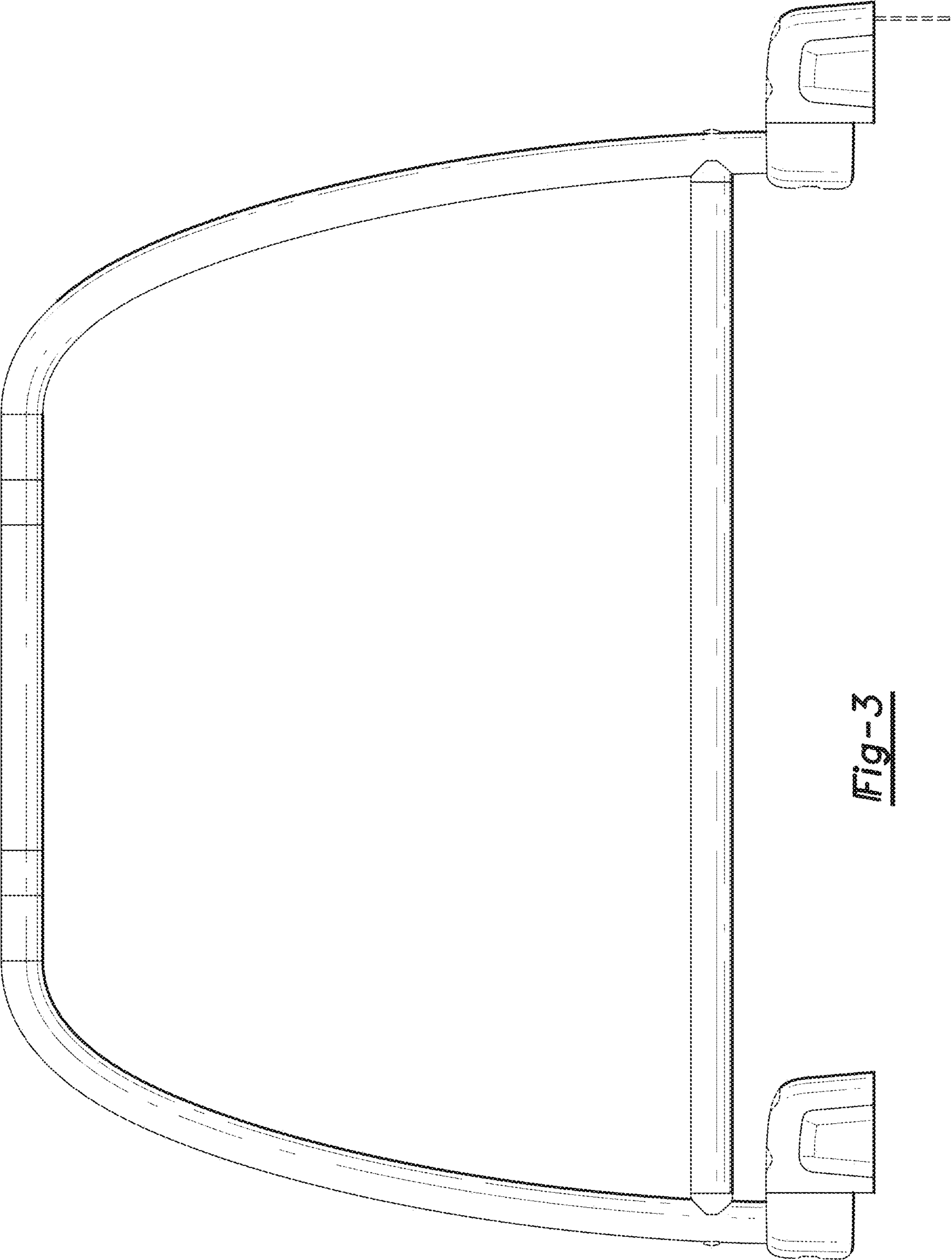


Fig-3

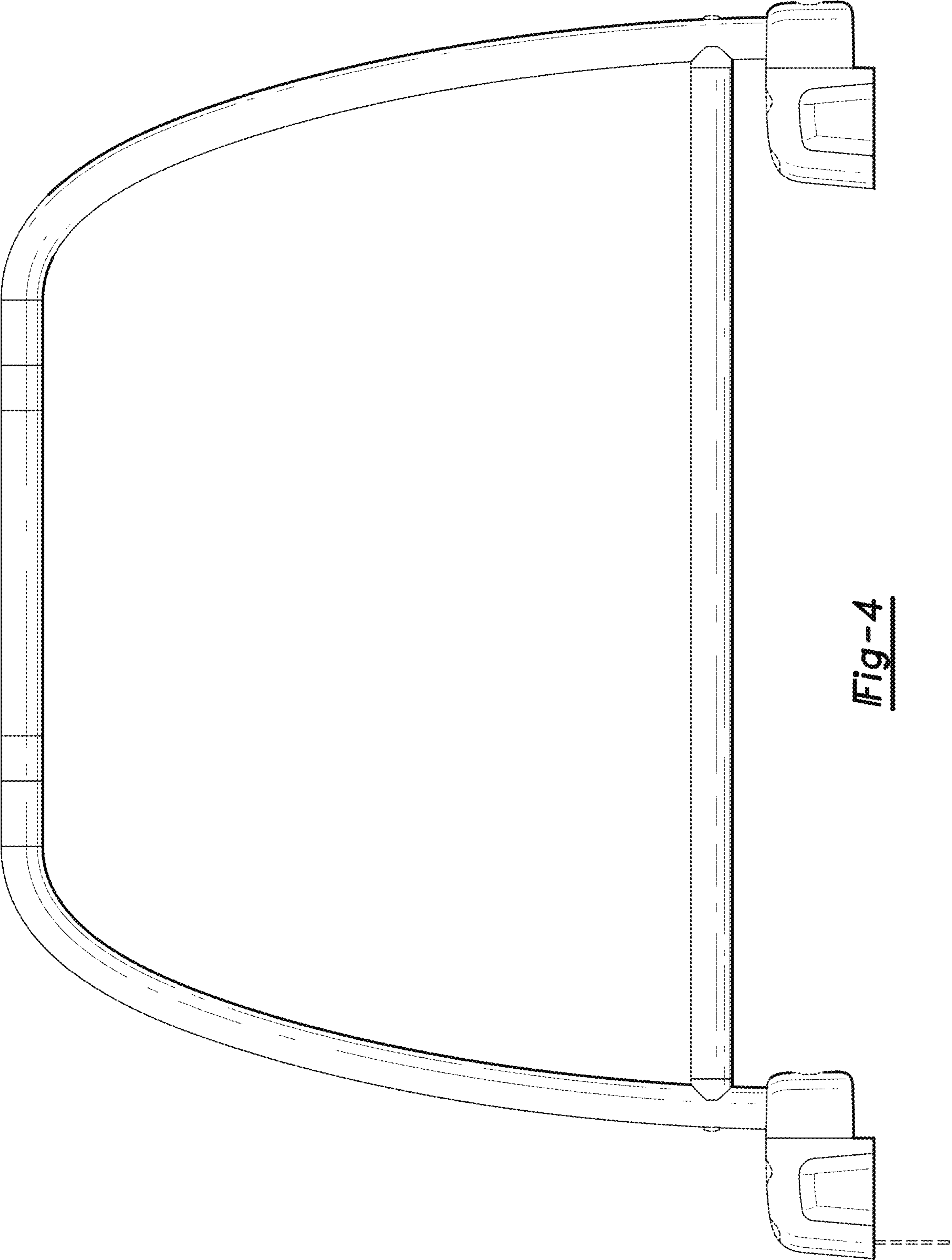


Fig-4

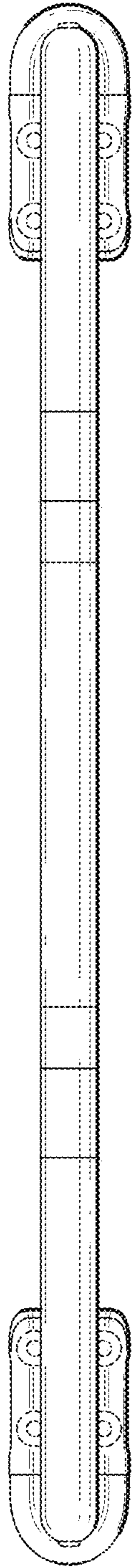


Fig-5

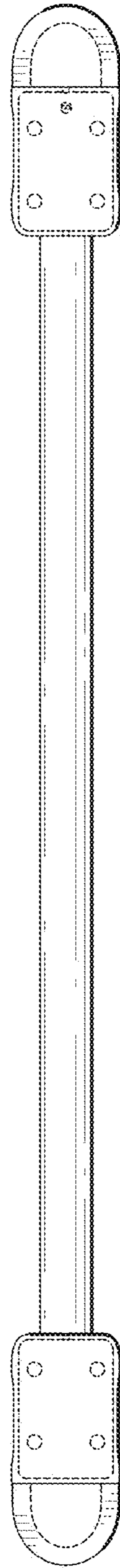


Fig-6

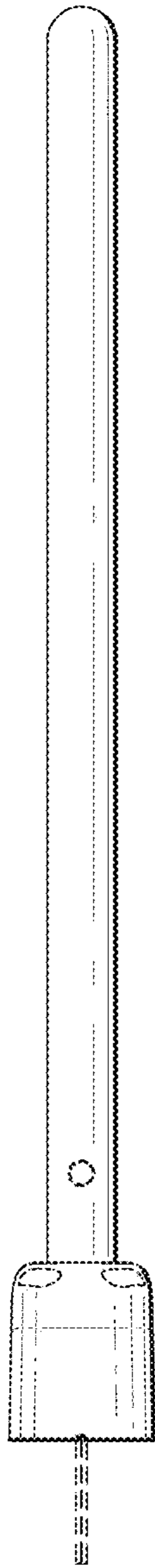


Fig-7

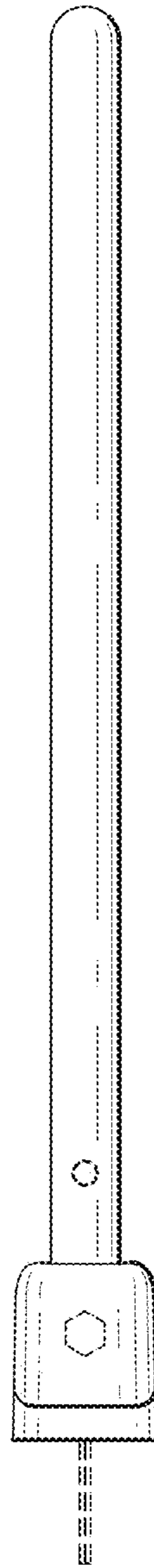


Fig-8