



US00D915173S

(12) **United States Design Patent**  
**Anderson**

(10) **Patent No.:** **US D915,173 S**

(45) **Date of Patent:** **\*\* Apr. 6, 2021**

(54) **BUTTON KNOB**

(71) Applicant: **PRYM CONSUMER USA INC.**,  
Spartanburg, SC (US)

(72) Inventor: **Victoria Anderson**, Greenville, SC  
(US)

(73) Assignee: **PRYM CONSUMER USA, INC.**,  
Spartanburg, SC (US)

(\*\*) Term: **15 Years**

(21) Appl. No.: **29/715,933**

(22) Filed: **Dec. 5, 2019**

(51) **LOC (13) Cl.** ..... **08-06**

(52) **U.S. Cl.**  
USPC ..... **D8/310**

(58) **Field of Classification Search**  
USPC ..... D8/300, 307, 310; D7/393; D23/250,  
D23/252, 254

CPC ... Y10T 292/57; Y10T 16/469; Y10T 292/82;  
Y10T 74/2084; Y10T 292/85; Y10T  
16/458; Y10T 16/506; Y10T 70/5155;  
Y10T 16/46; Y10T 16/4559; Y10T  
74/20828; Y10T 70/8541; Y10T  
74/20612; Y10T 16/459; Y10T 16/487;  
Y10T 70/5389; Y10T 16/462; Y10T  
16/4636; E05B 1/0007; E05B 3/00; Y10S  
16/30; Y10S 292/53; Y10S 292/27

See application file for complete search history.

(56) **References Cited**

**U.S. PATENT DOCUMENTS**

5,499,427 A \* 3/1996 Bowman ..... A47B 95/02  
16/417  
D396,179 S \* 7/1998 Burns ..... D8/310

D401,834 S \* 12/1998 Burns ..... D8/310  
D474,672 S \* 5/2003 Fields ..... D8/310  
D493,686 S \* 8/2004 Fields ..... D8/310  
D560,110 S \* 1/2008 Ricereto ..... D8/310  
D569,220 S \* 5/2008 McConnell ..... D8/310  
D613,291 S \* 4/2010 Carver ..... D14/432  
D629,279 S \* 12/2010 Koskela ..... D8/310  
D649,427 S \* 11/2011 Roe ..... D8/310  
D660,679 S \* 5/2012 Han ..... D8/310  
D679,982 S \* 4/2013 Ramsland ..... D8/312  
D772,686 S \* 11/2016 Zimmer ..... D8/310  
D787,297 S \* 5/2017 Zimmer ..... D8/310  
2010/0139046 A1 \* 6/2010 Daniels ..... E05B 1/0015  
16/414

\* cited by examiner

*Primary Examiner* — Lauren R Calve

(74) *Attorney, Agent, or Firm* — J. Bennett Mullinax,  
LLC

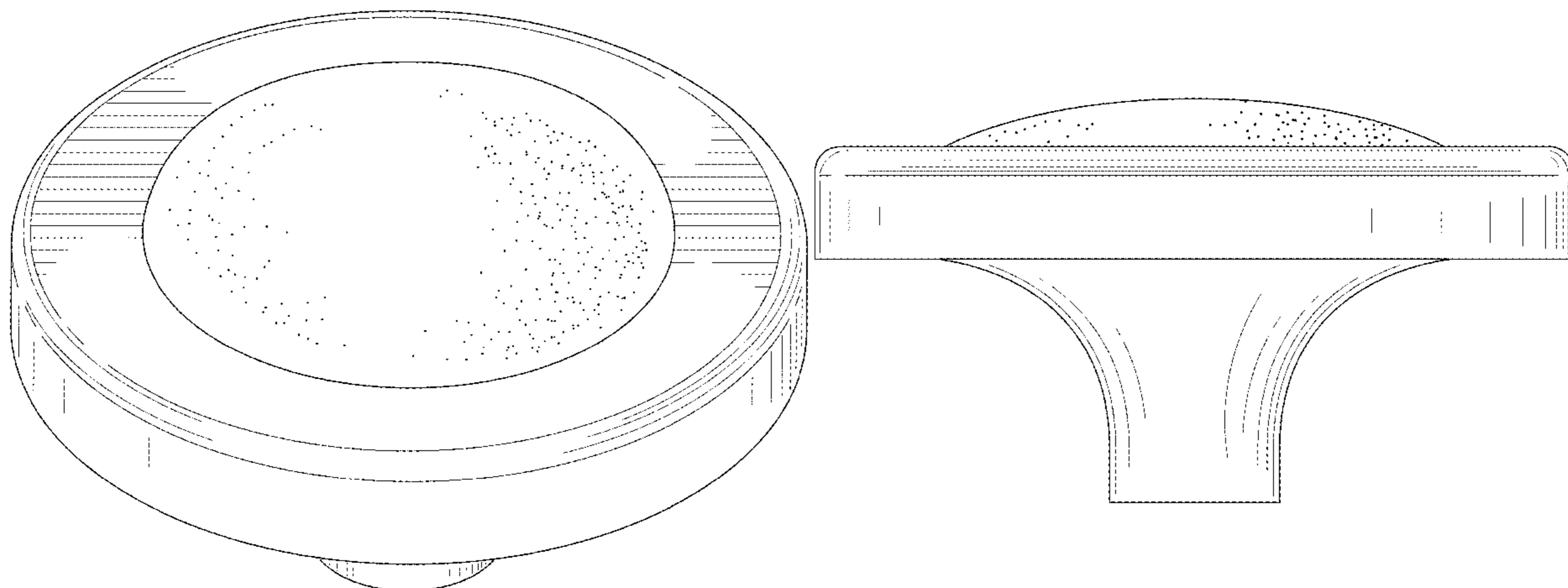
(57) **CLAIM**

The ornamental design for a button knob, as shown and described.

**DESCRIPTION**

FIG. 1 is a top perspective view of a button knob according to the present design;  
FIG. 2 is a bottom perspective view of the button knob seen in FIG. 1;  
FIG. 3 is a top view of the button knob seen in FIG. 1;  
FIG. 4 is a bottom view of the button knob seen in FIG. 1;  
and,  
FIG. 5 is a side view of the button knob seen in FIG. 1.

**1 Claim, 5 Drawing Sheets**



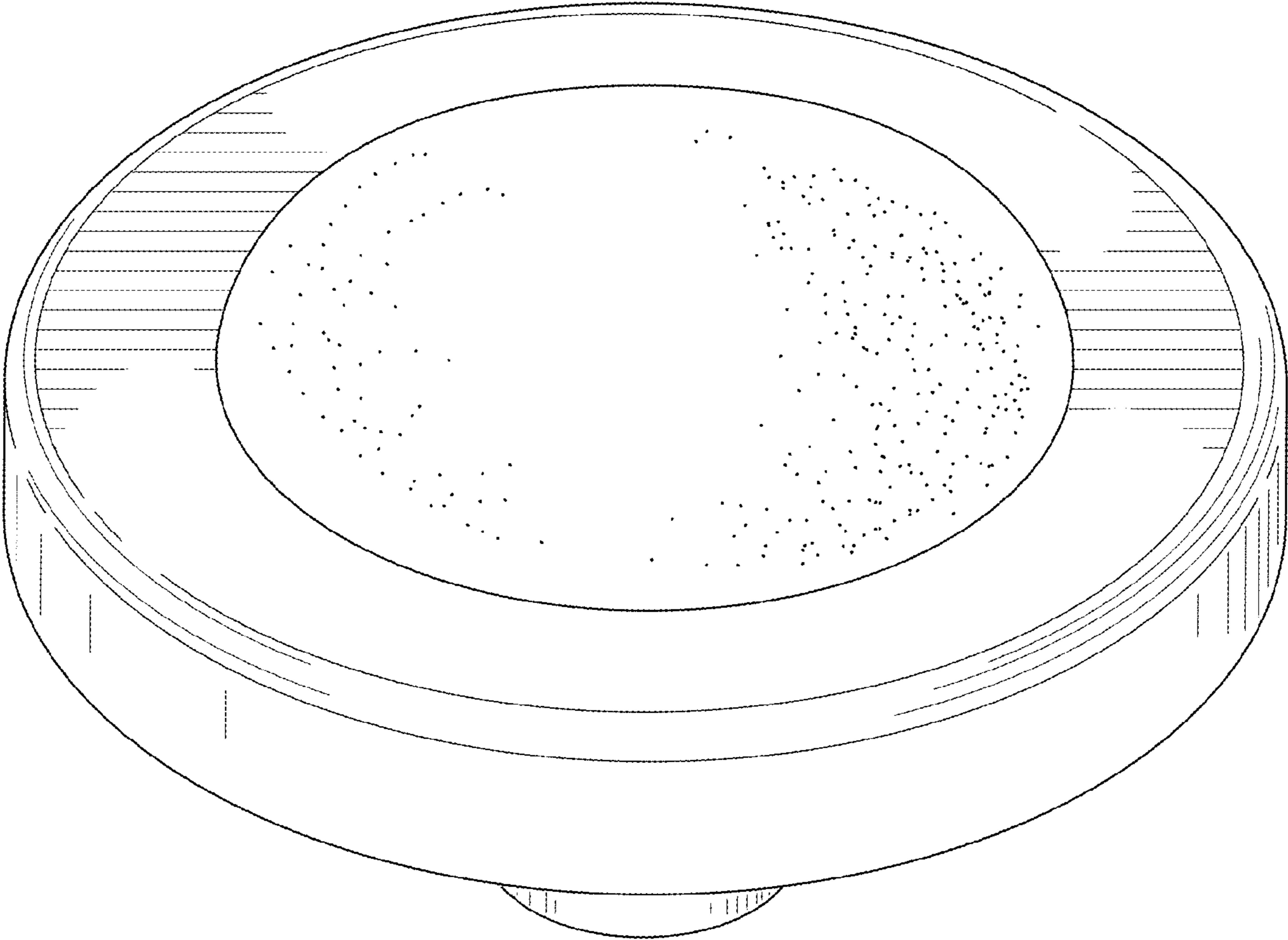


FIG. 1

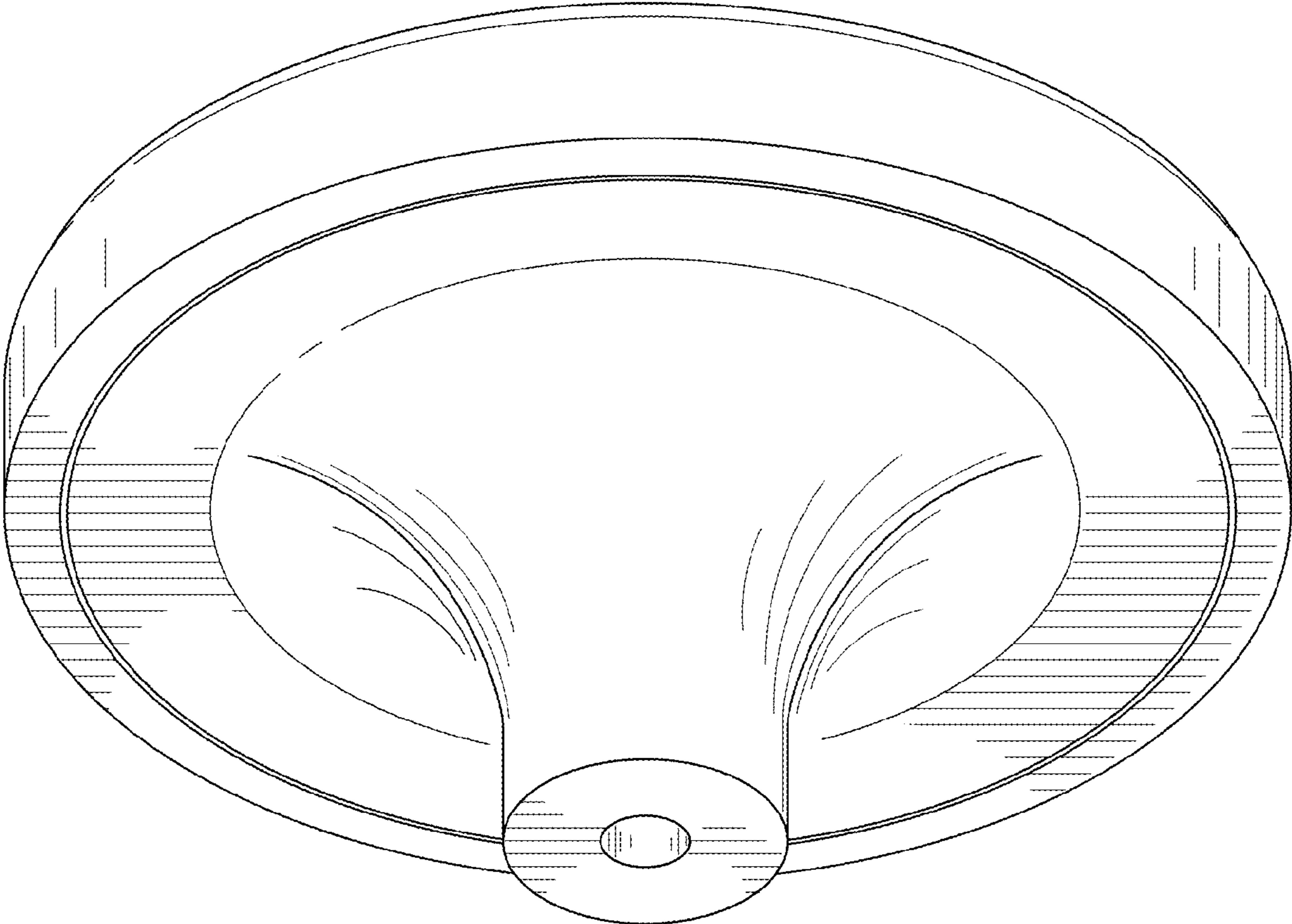


FIG. 2

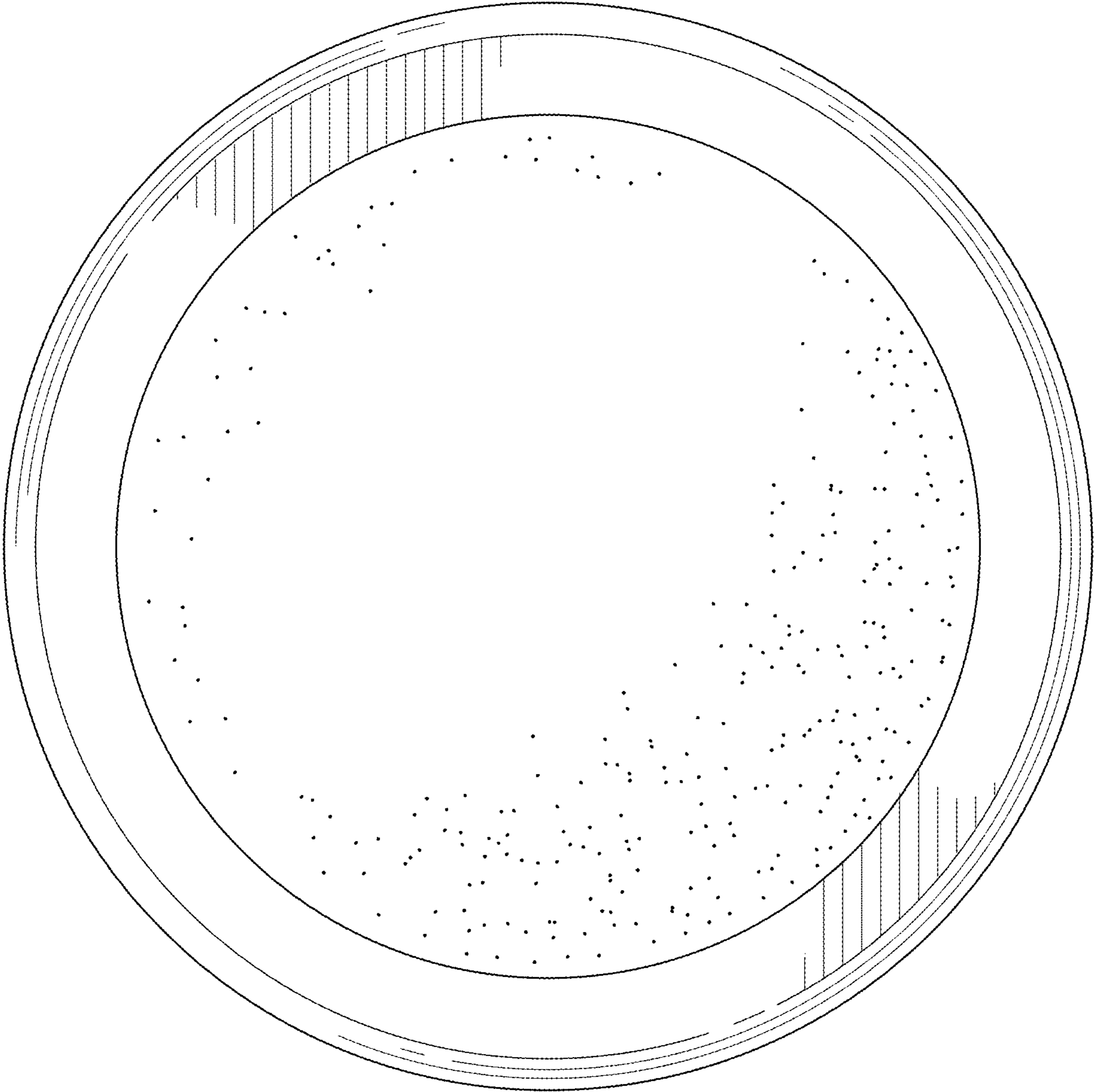


FIG. 3

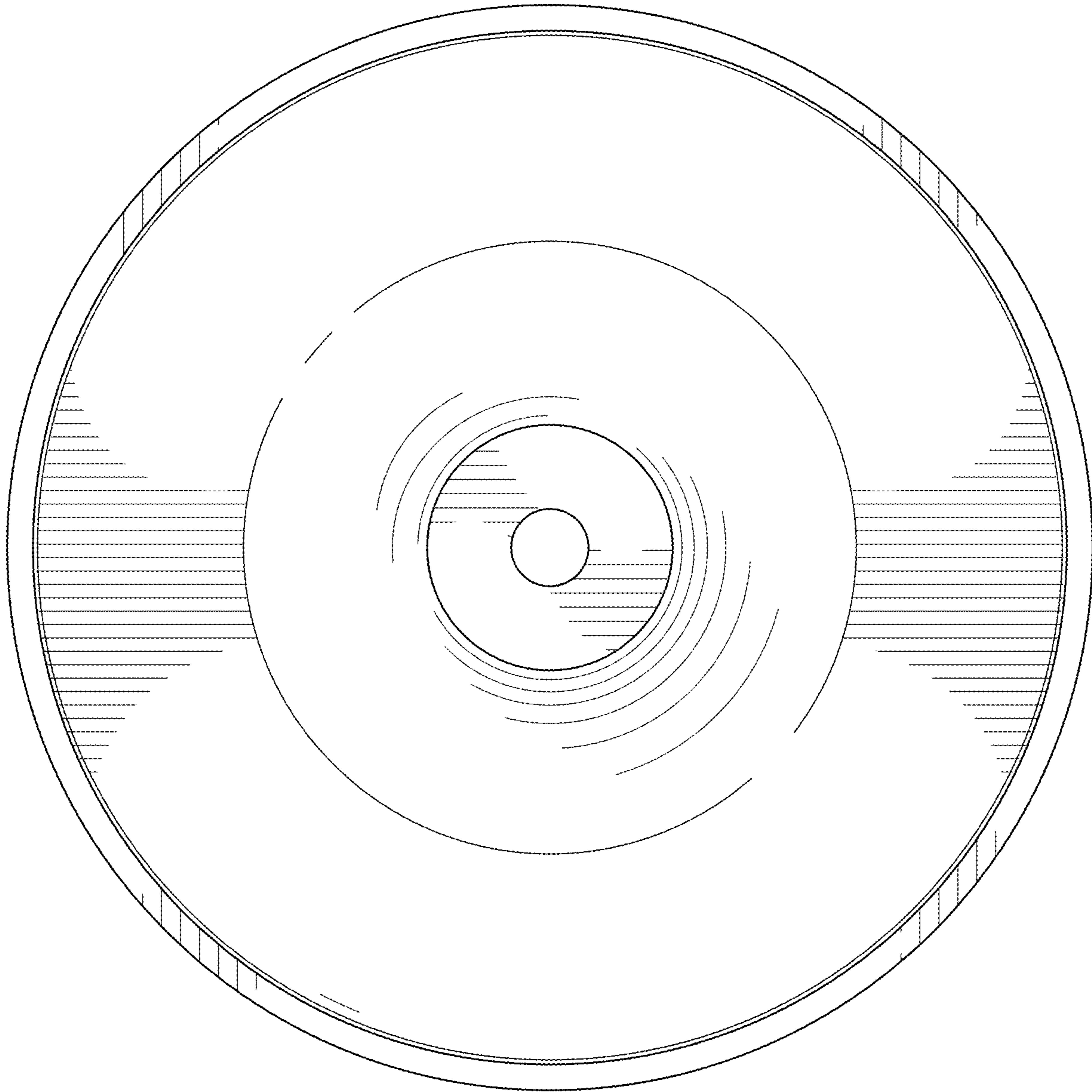


FIG. 4

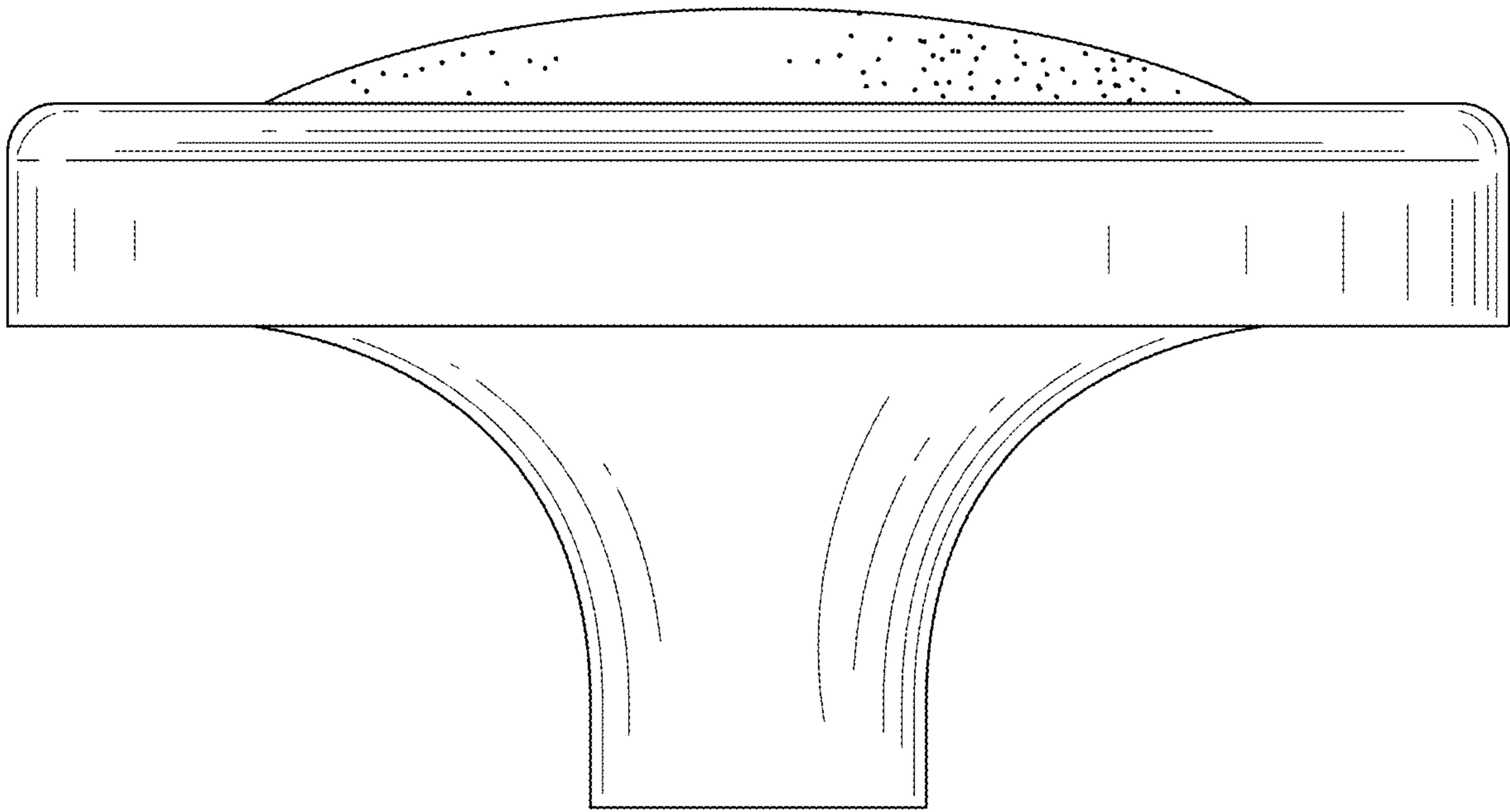


FIG. 5