



US00D915170S

(12) **United States Design Patent** (10) **Patent No.:** **US D915,170 S**
Yao (45) **Date of Patent:** **** Apr. 6, 2021**

- (54) **SAFETY BLADE KNIFE**
- (71) Applicant: **Stanley Black & Decker, Inc.**, New Britain, CT (US)
- (72) Inventor: **Xiyin Yao**, Middletown, CT (US)
- (73) Assignee: **Stanley Black & Decker, Inc.**, New Britain, CT (US)
- (**) Term: **15 Years**
- (21) Appl. No.: **29/718,437**
- (22) Filed: **Dec. 24, 2019**

Related U.S. Application Data

- (63) Continuation of application No. 29/659,692, filed on Aug. 10, 2018, now abandoned.

(30) **Foreign Application Priority Data**

Feb. 13, 2018 (CN) 201830069274.5

- (51) **LOC (13) Cl.** **08-03**
- (52) **U.S. Cl.**
USPC **D8/98**
- (58) **Field of Classification Search**
USPC D8/14, 98, 99, 107
(Continued)

(56) **References Cited**

U.S. PATENT DOCUMENTS

- 4,134,206 A * 1/1979 Beermann B26B 5/006
30/294
- D323,967 S * 2/1992 Talbot D8/98
(Continued)

FOREIGN PATENT DOCUMENTS

- CN 304557562 3/2018
- CN 304557563 3/2018
(Continued)

Primary Examiner — Philip S Hyder
(74) *Attorney, Agent, or Firm* — Gabriel A. Haboubi

(57) **CLAIM**

The ornamental design for a safety blade knife, as shown and described.

DESCRIPTION

FIG. 1 is a perspective view of the first embodiment of my new design.
 FIG. 2 is a left side view thereof.
 FIG. 3 is a right side view thereof.
 FIG. 4 is a front view thereof.
 FIG. 5 is a back view thereof.
 FIG. 6 is a top view thereof.
 FIG. 7 is a bottom view thereof.
 FIG. 8 is a perspective view of the second embodiment of my new design.
 FIG. 9 is a left side view thereof.
 FIG. 10 is a right side view thereof.
 FIG. 11 is a front view thereof.
 FIG. 12 is a back view thereof.
 FIG. 13 is a top view thereof.
 FIG. 14 is a bottom view thereof.
 FIG. 15 is a perspective view of the third embodiment of my new design.
 FIG. 16 is a right side view thereof.
 FIG. 17 is a left side view thereof.
 FIG. 18 is a front view thereof.
 FIG. 19 is a back view thereof.
 FIG. 20 is a top view thereof.
 FIG. 21 is a bottom view thereof.
 FIG. 22 is a perspective view of the fourth embodiment of my new design.
 FIG. 23 is a right side view thereof.
 FIG. 24 is a left side view thereof.
 FIG. 25 is a front view thereof.
 FIG. 26 is a back view thereof.
 FIG. 27 is a top view thereof.
 FIG. 28 is a bottom view thereof.
 FIG. 29 is a perspective view of the fifth embodiment of my new design.
 FIG. 30 is a right side view thereof.

(Continued)

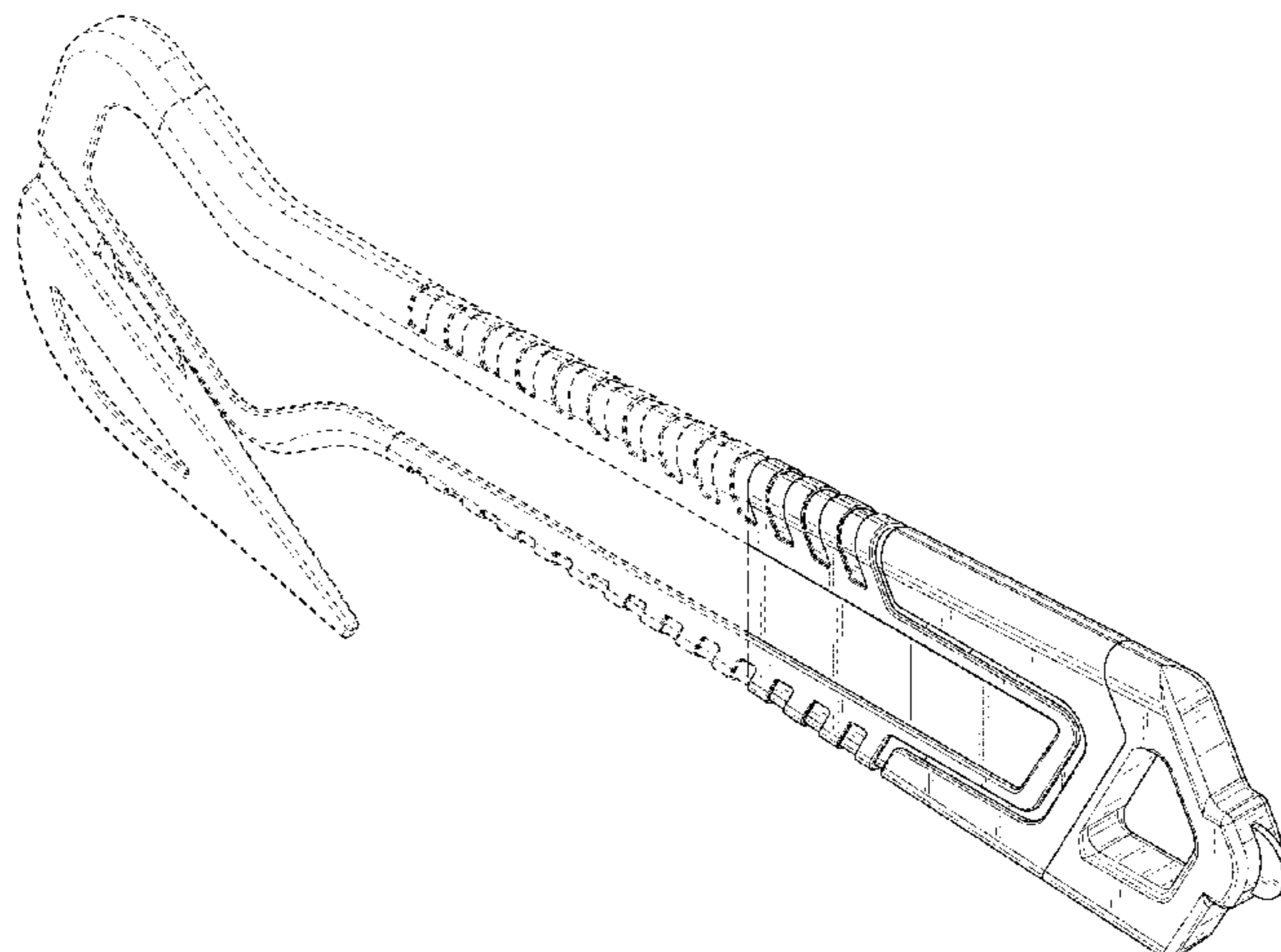


FIG. 31 is a left side view thereof.
 FIG. 32 is a front view thereof.
 FIG. 33 is a back view thereof.
 FIG. 34 is a top view thereof; and,
 FIG. 35 is a bottom view thereof.
 The broken lines depict portions of the safety blade knife in which the design is embodied that are not considered part of the claimed design.

1 Claim, 25 Drawing Sheets

(58) Field of Classification Search

CPC B26B 5/00; B26B 27/005; B26B 3/00;
 B26B 11/006; B26B 3/08

See application file for complete search history.

(56) References Cited

U.S. PATENT DOCUMENTS

5,737,842 A * 4/1998 Freedman B26B 3/00
 30/280
 6,691,416 B2 * 2/2004 Yu Chen B26B 3/00
 30/125

D575,613 S * 8/2008 Jennings D8/98
 D673,440 S * 1/2013 Kempker D8/98
 D714,612 S * 10/2014 Gropl D8/98
 D752,842 S * 4/2016 Coble D1/110
 9,539,732 B2 * 1/2017 Segler B26B 9/00
 D801,148 S * 10/2017 Yu Chen D8/98
 D817,142 S * 5/2018 Rohrbach D8/98
 D852,607 S * 7/2019 Hyma D8/98
 2002/0194734 A1 * 12/2002 Huang B26B 3/08
 30/2
 2006/0016306 A1 * 1/2006 Conde B26B 5/005
 83/13
 2018/0319029 A1 * 11/2018 Marinovich B26B 29/02
 2018/0361599 A1 * 12/2018 Dahill B26B 11/006

FOREIGN PATENT DOCUMENTS

CN	304557564	3/2018
CN	304557567	3/2018
CN	304557568	3/2018
CN	304557569	3/2018
CN	304557575	3/2018
CN	304557576	3/2018
CN	208215403 U	12/2018
CN	209633081 U	11/2019

* cited by examiner

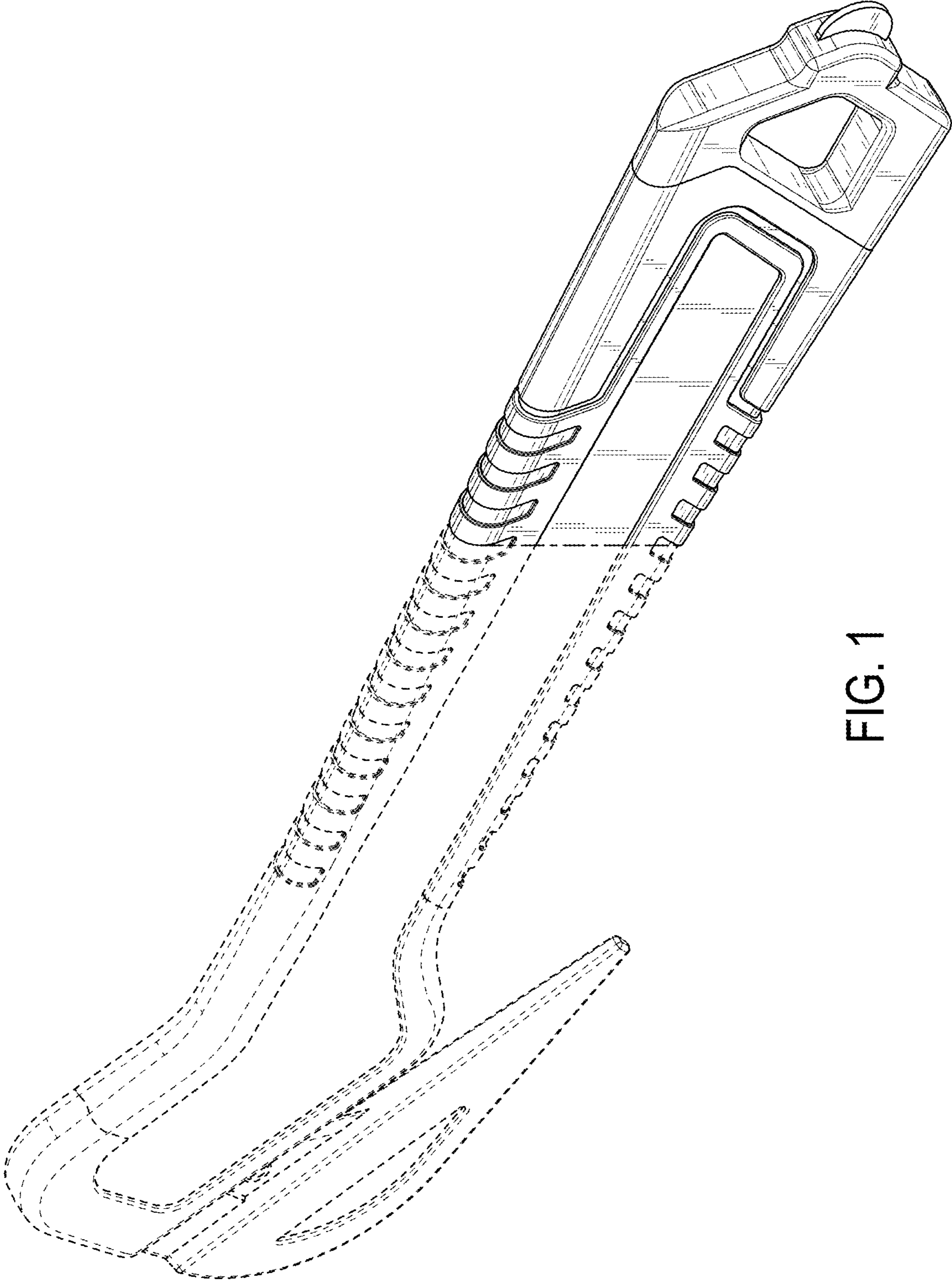


FIG. 1

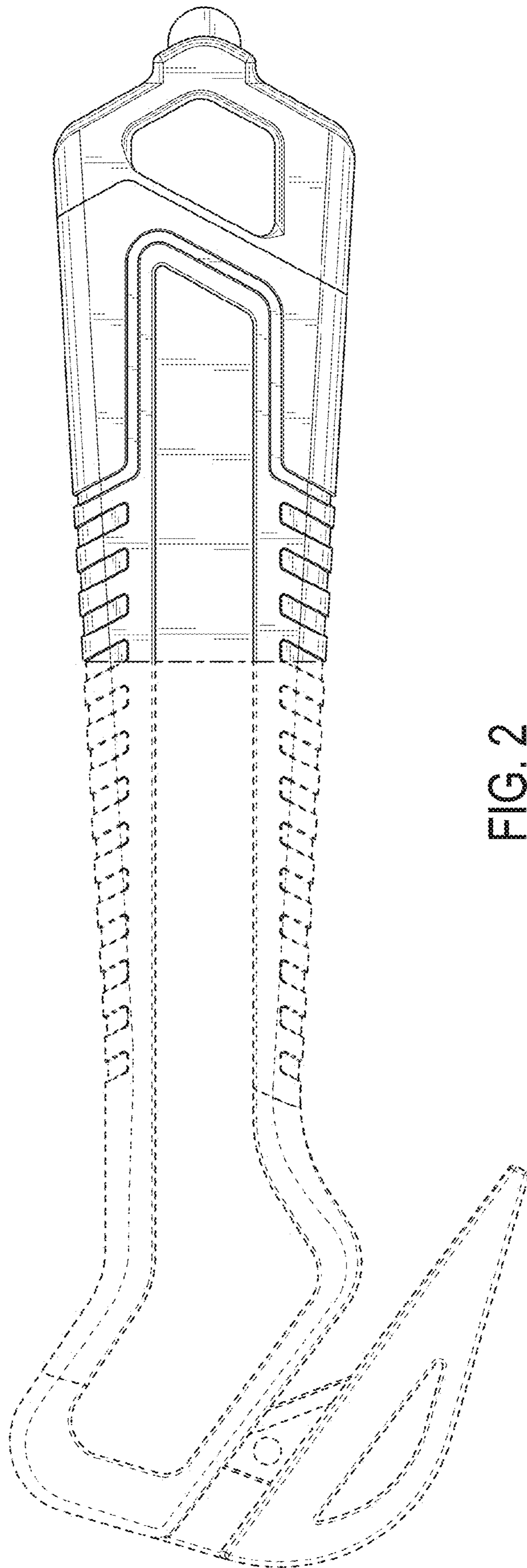


FIG. 2

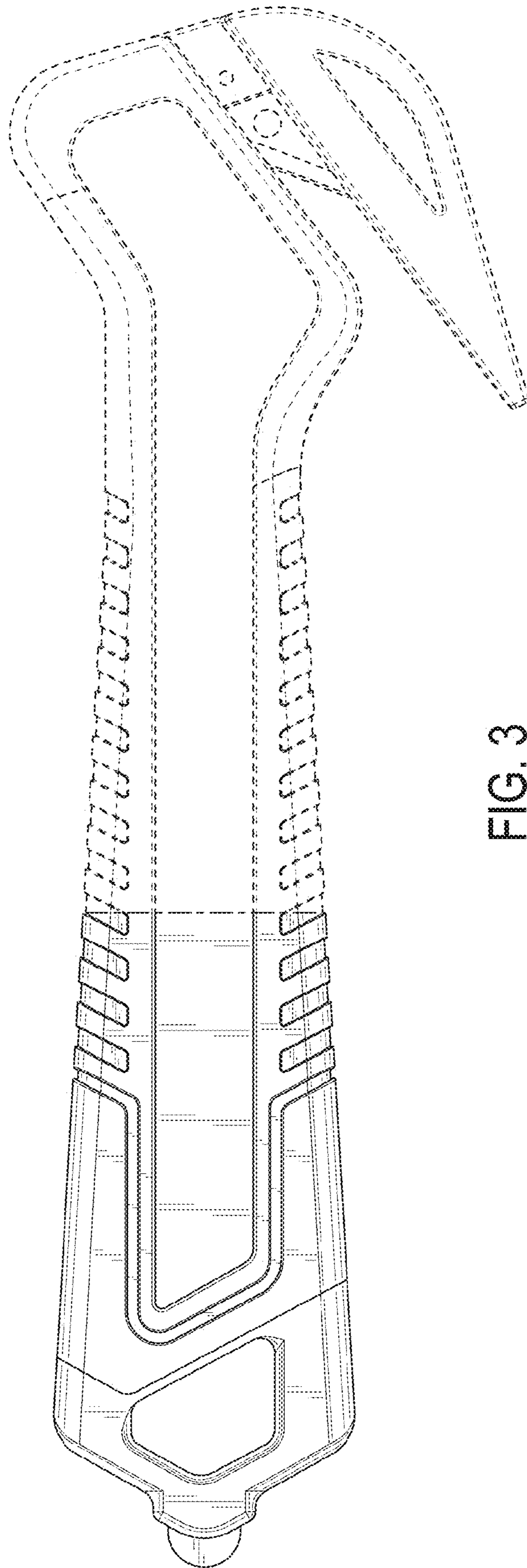


FIG. 3

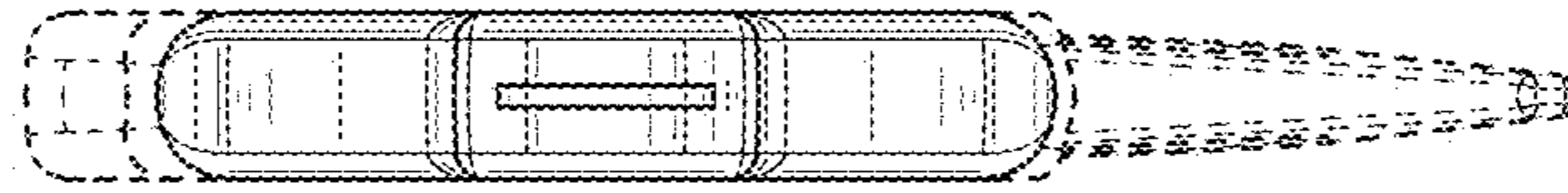


FIG. 5



FIG. 4



FIG. 6



FIG. 7

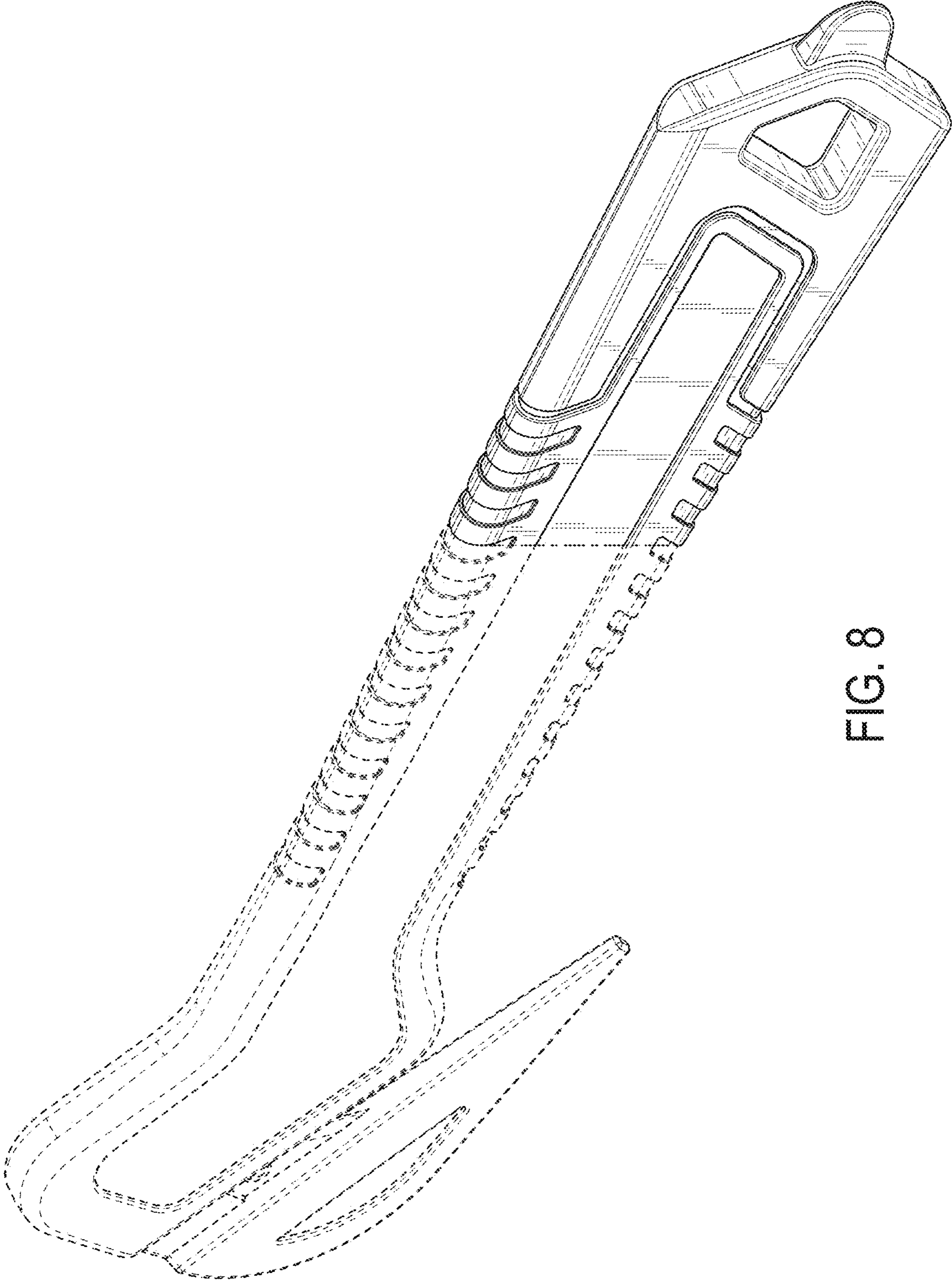


FIG. 8

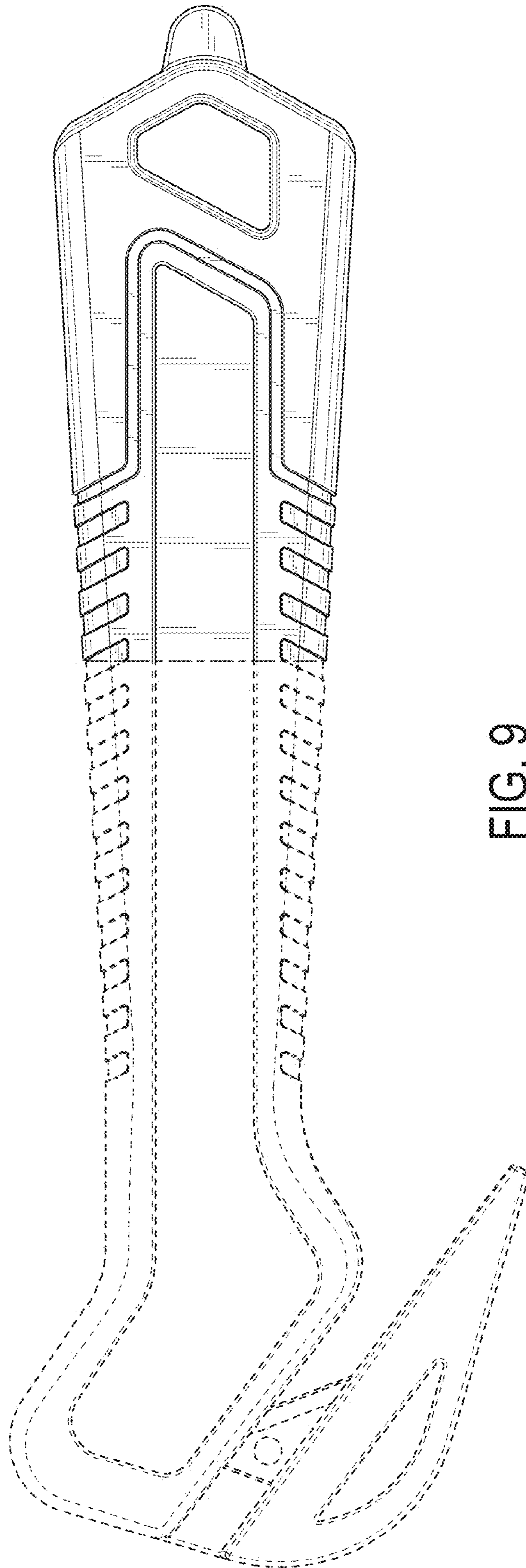


FIG. 9

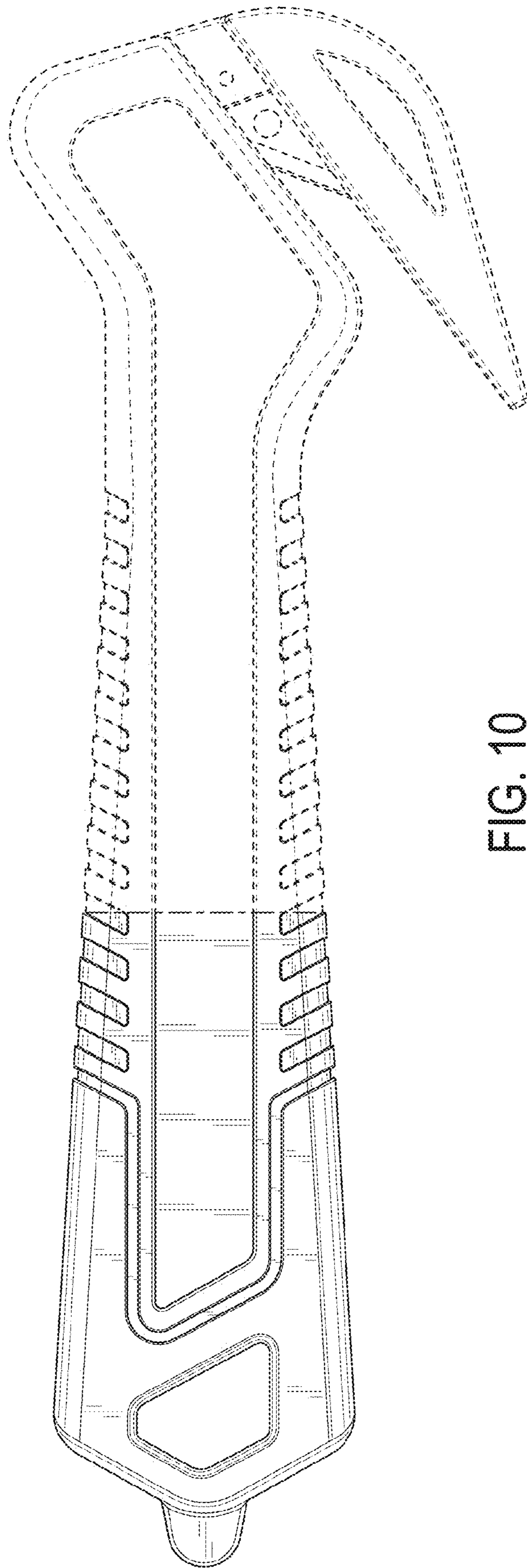


FIG. 10

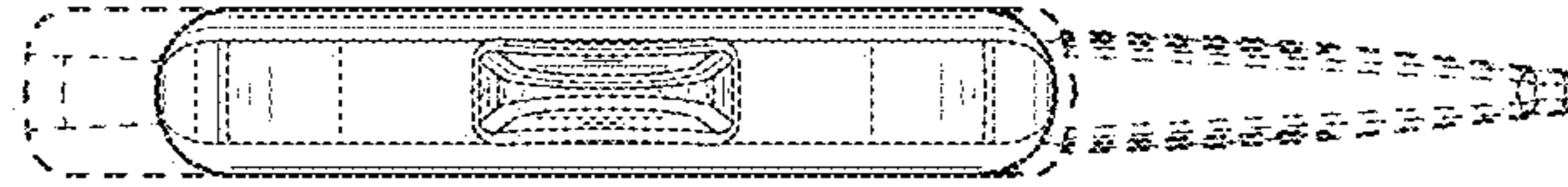


FIG. 11

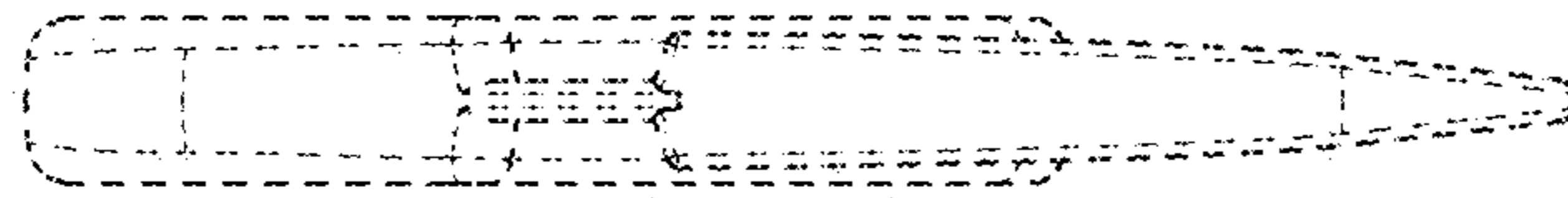


FIG. 12



FIG. 13



FIG. 14

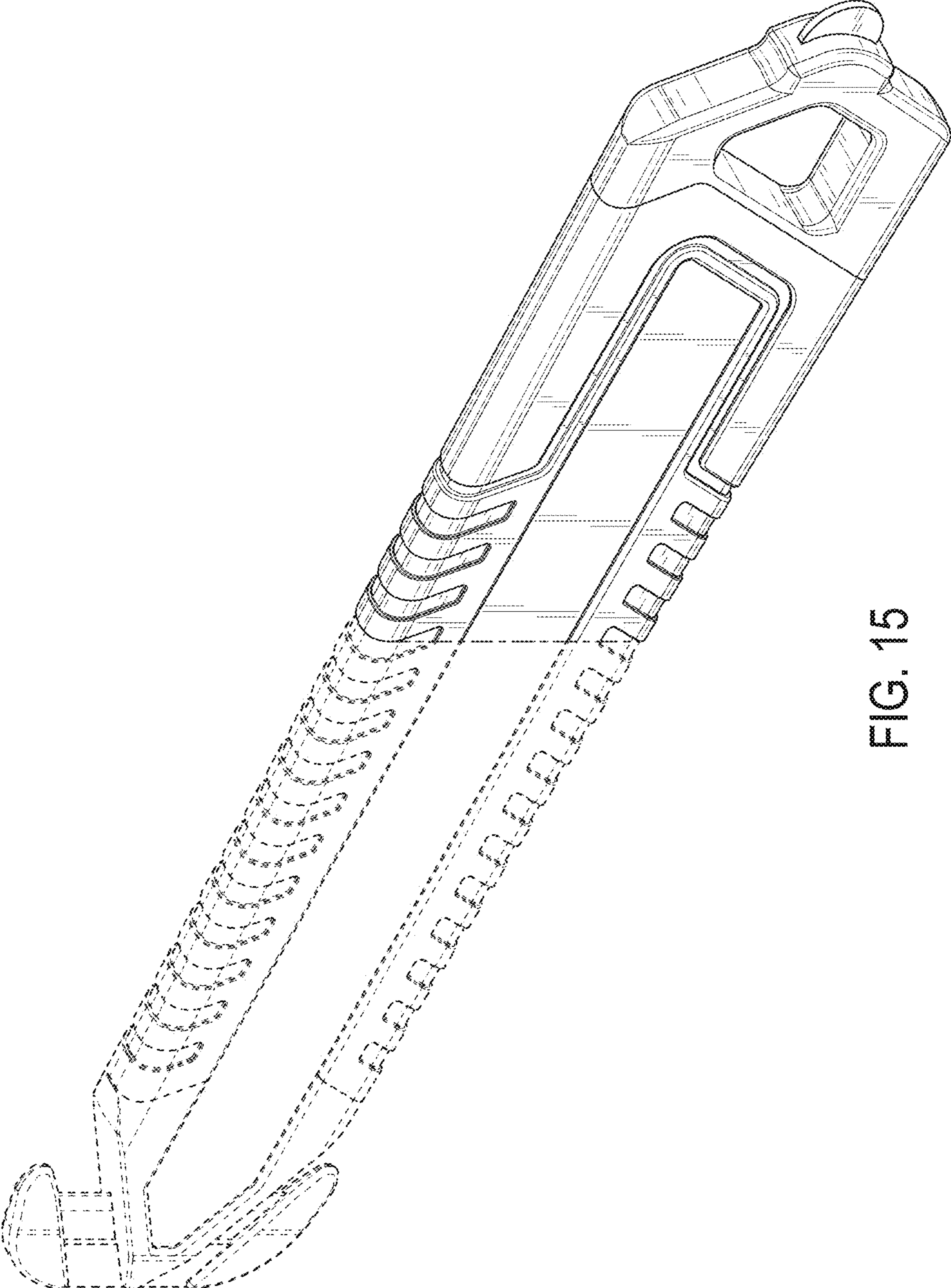


FIG. 15

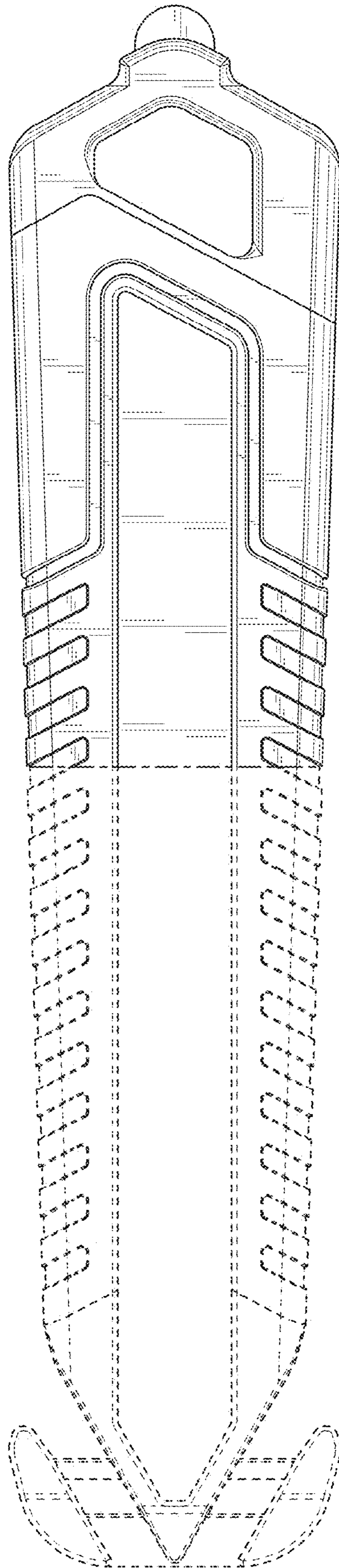


FIG. 16

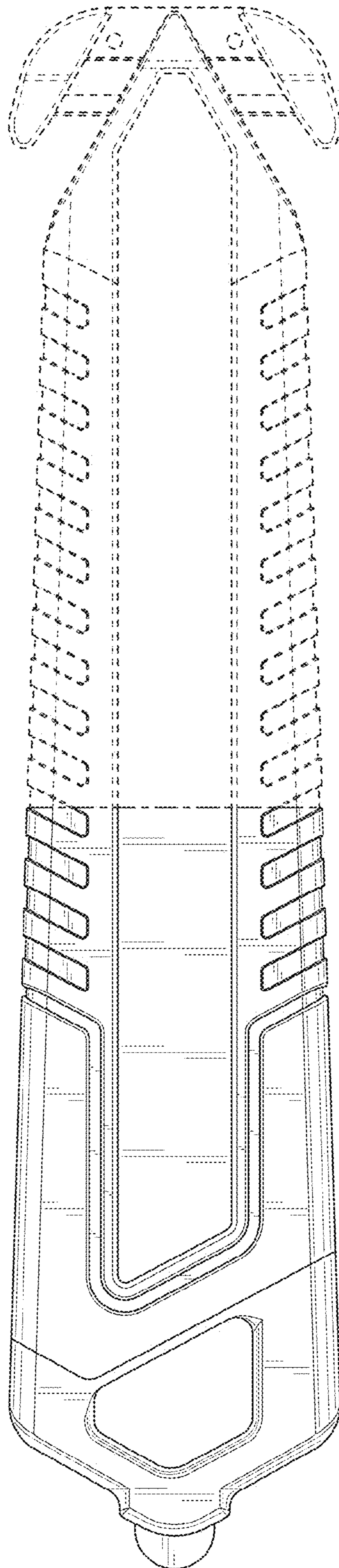


FIG. 17

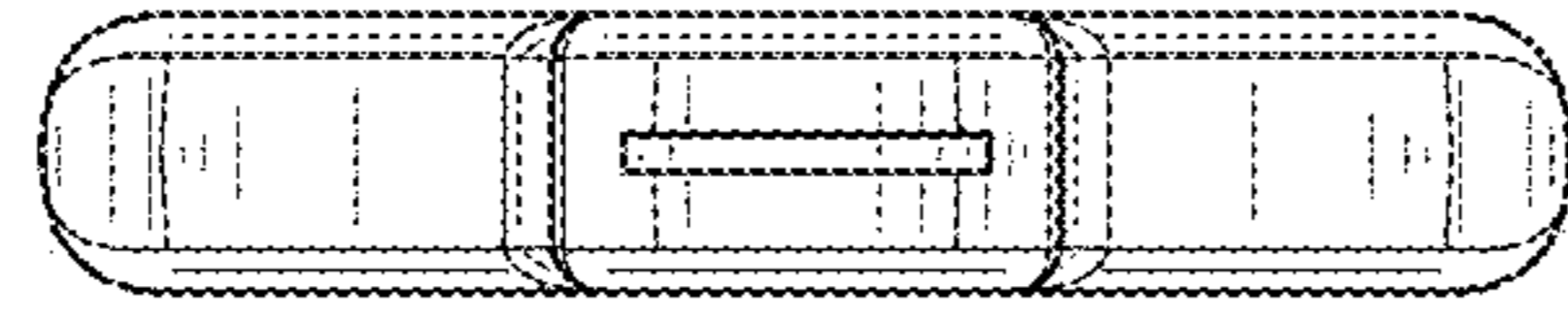


FIG. 18

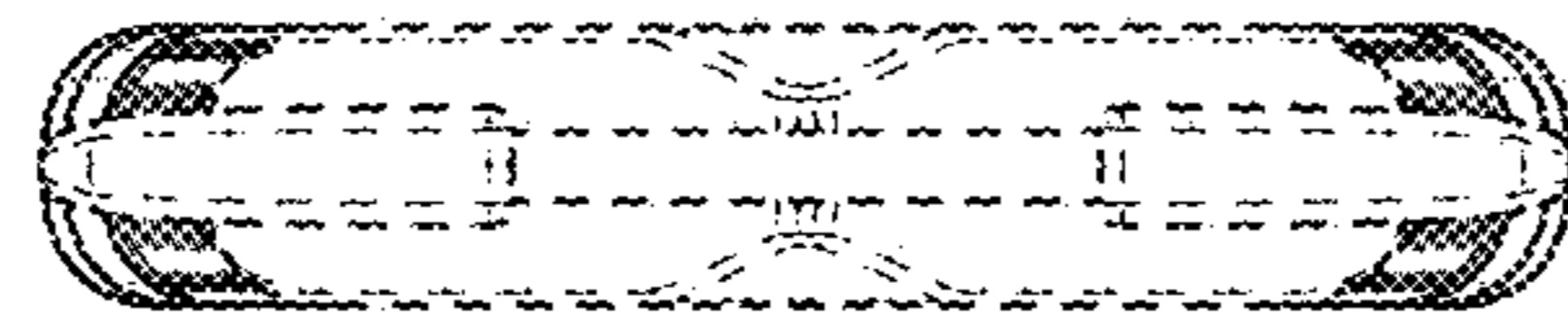


FIG. 19

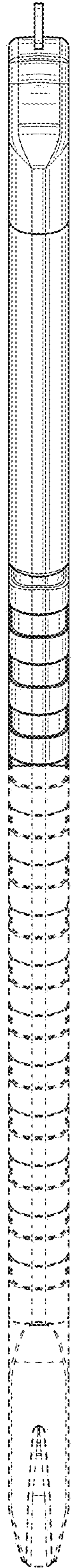


FIG. 20



FIG. 21

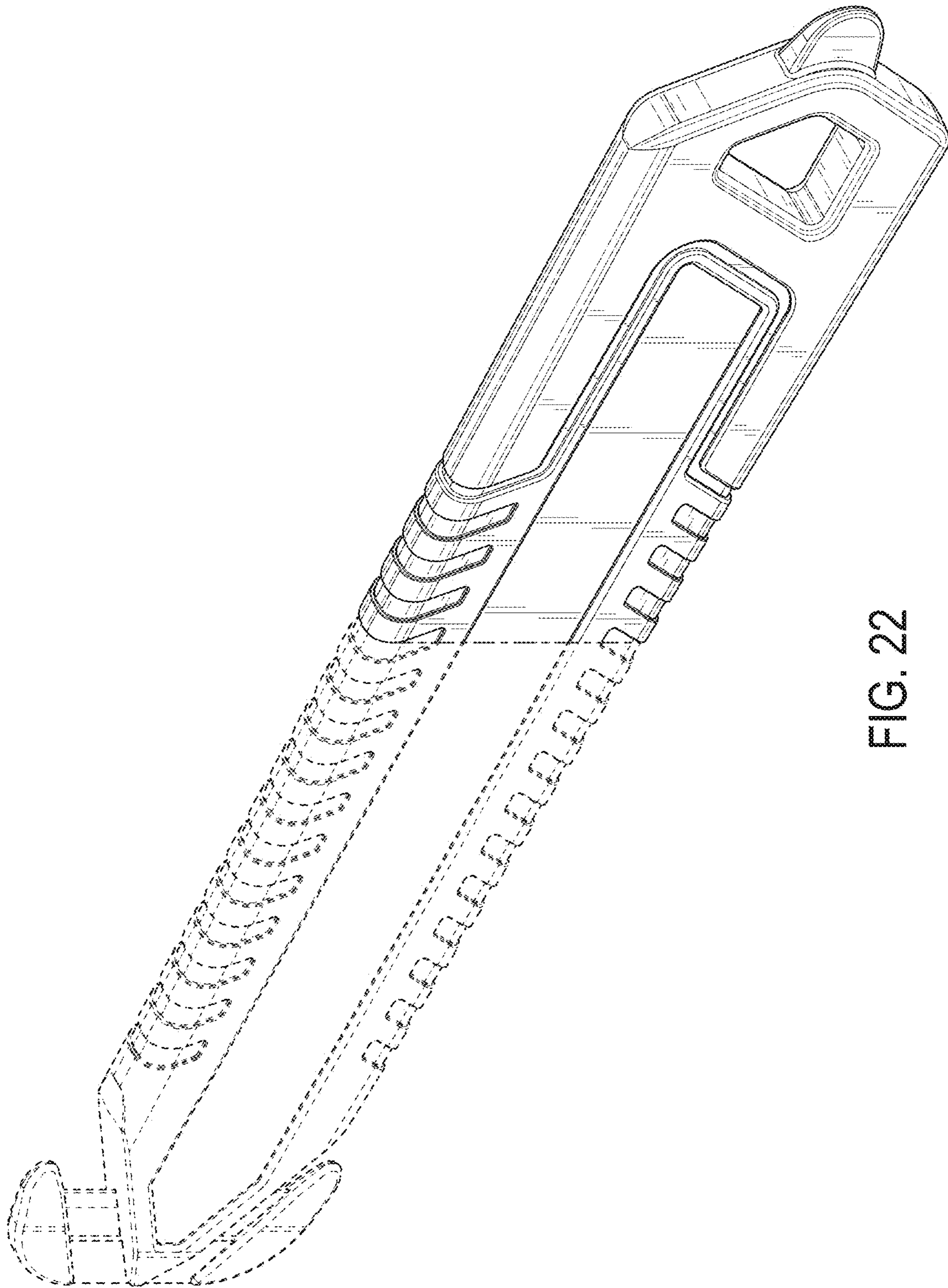


FIG. 22

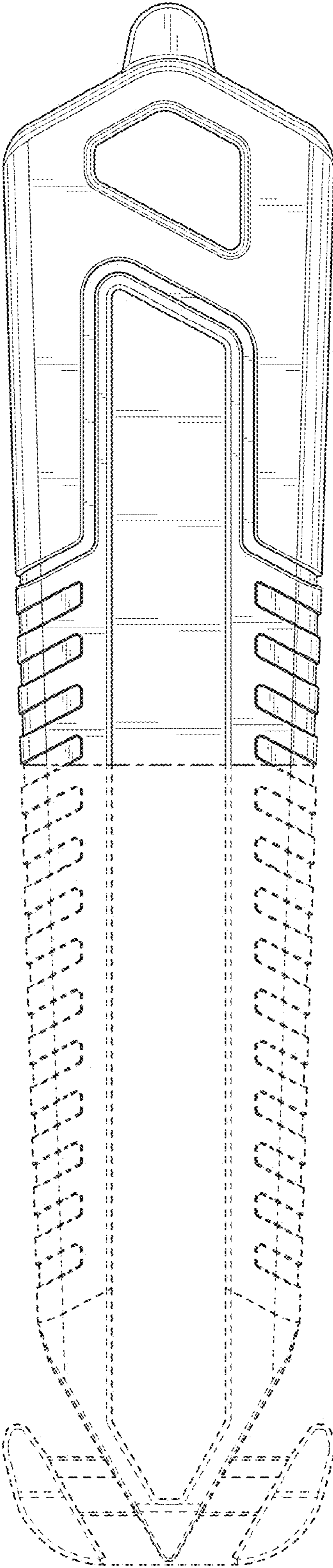


FIG. 23

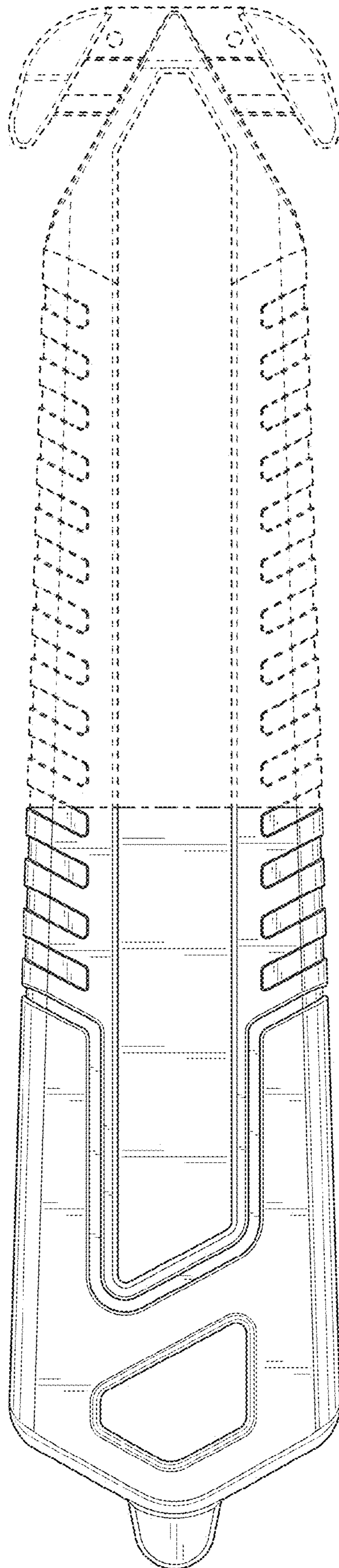


FIG. 24

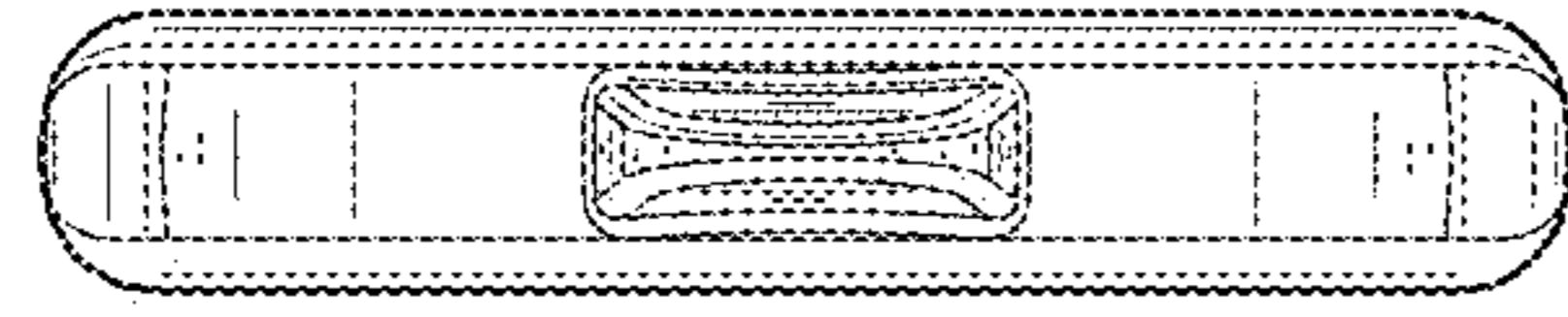


FIG. 26



FIG. 25

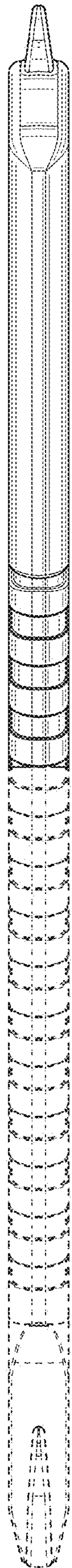


FIG. 27



FIG. 28

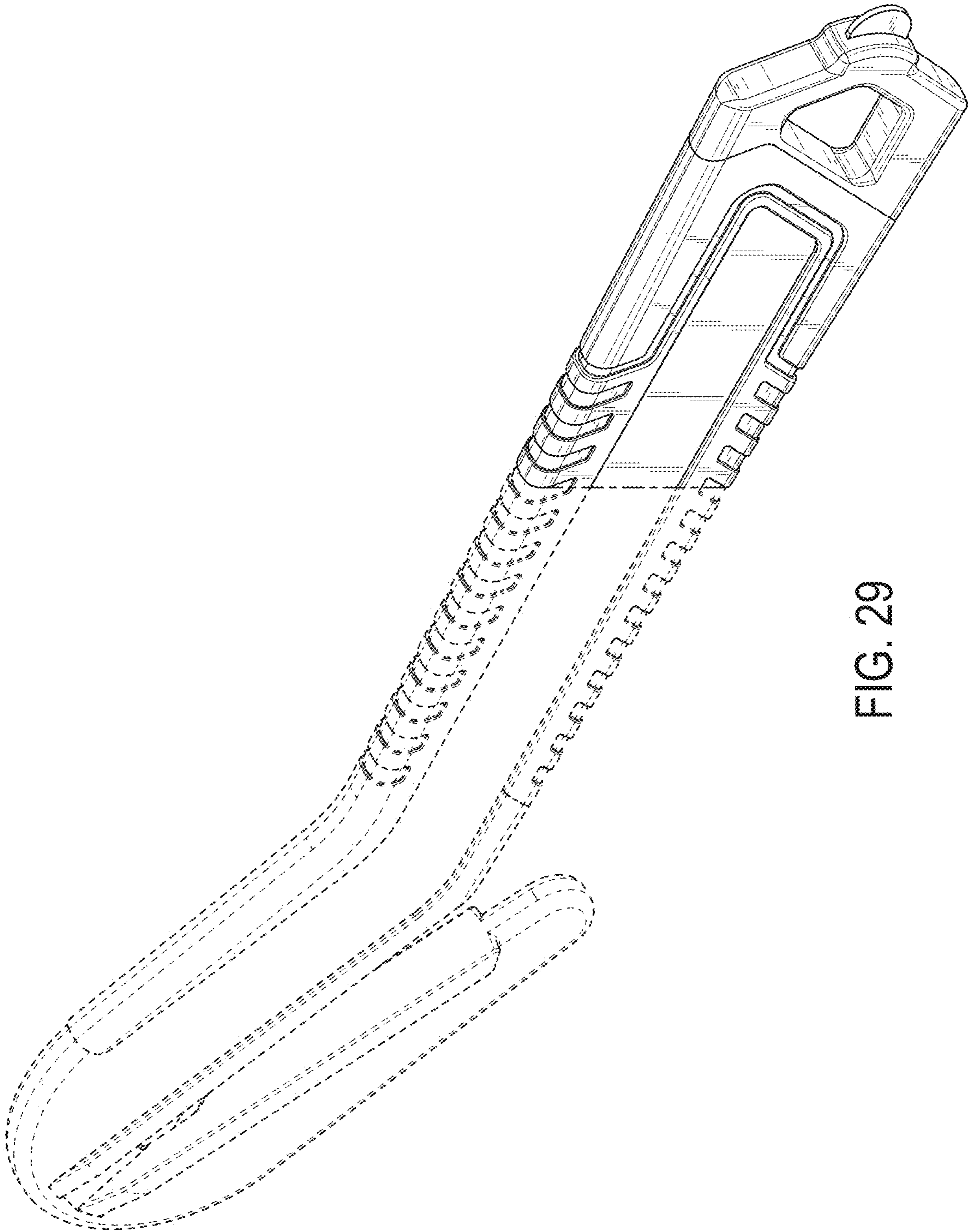


FIG. 29

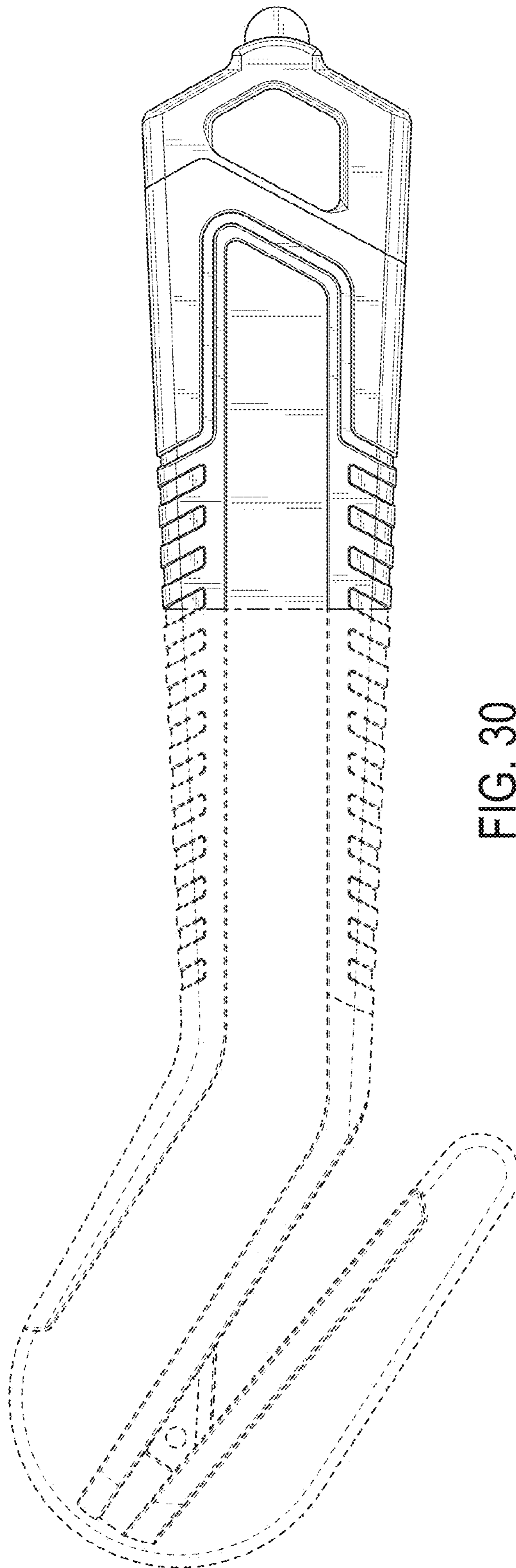


FIG. 30

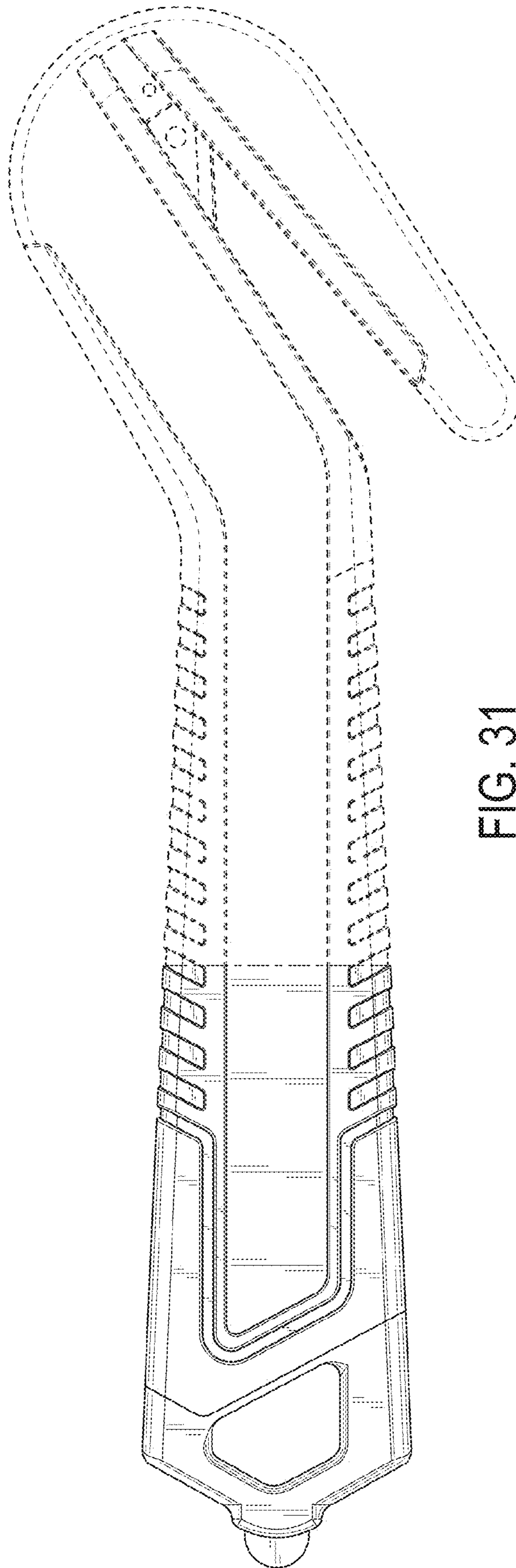


FIG. 31

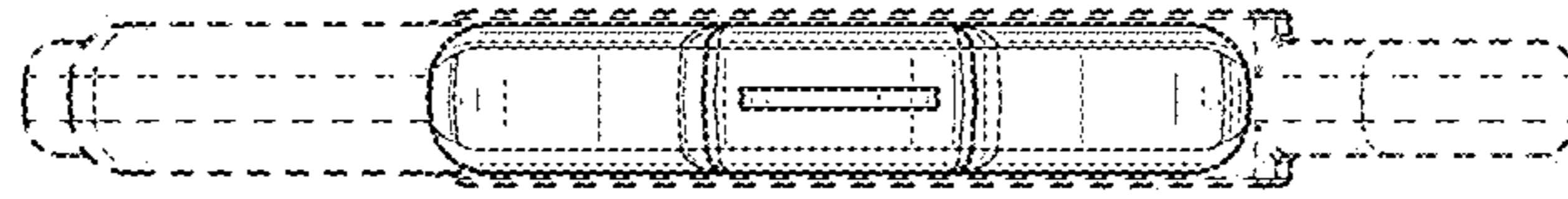


FIG. 32

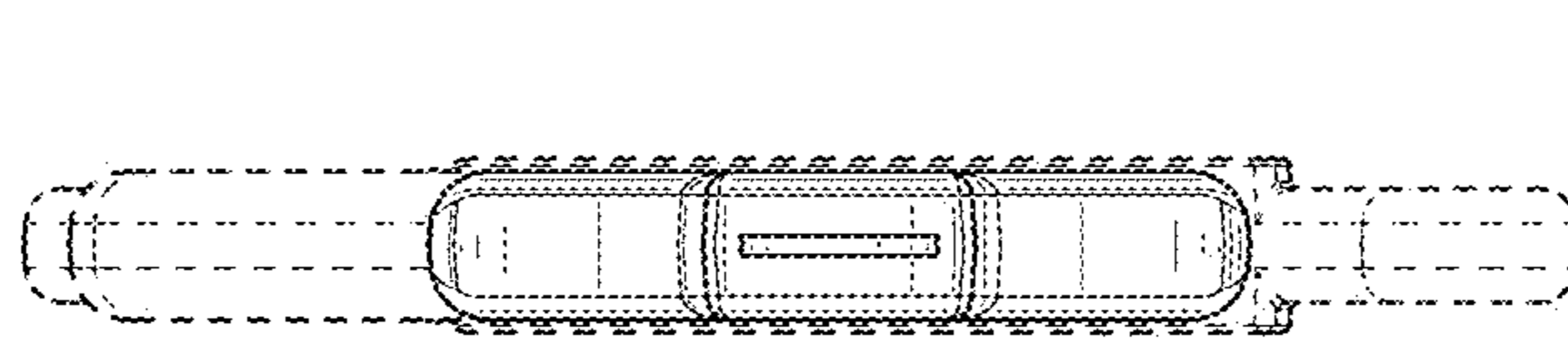


FIG. 33

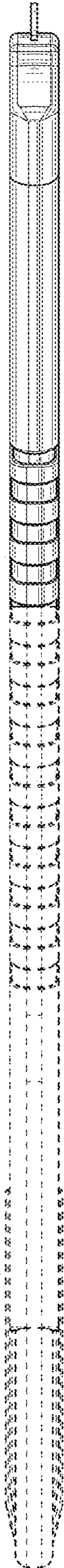


FIG. 34

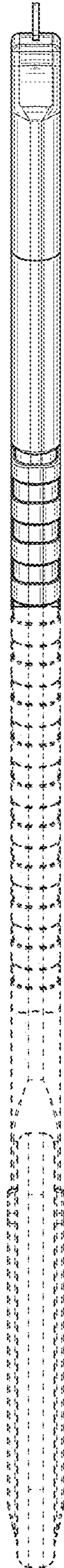


FIG. 35