



US00D915169S

(12) **United States Design Patent**
Milbank

(10) **Patent No.:** **US D915,169 S**

(45) **Date of Patent:** **** Apr. 6, 2021**

- (54) **WHEEL CLAMP**
- (71) Applicant: **Milenco Limited**, Milton Keynes (GB)
- (72) Inventor: **Frederick Nigel Milbank**, Milton Keynes (GB)
- (73) Assignee: **Milenco Limited**, Milton Keynes (GB)
- (**) Term: **15 Years**
- (21) Appl. No.: **29/685,091**
- (22) Filed: **Mar. 26, 2019**
- (51) **LOC (13) Cl.** **08-05**
- (52) **U.S. Cl.**
USPC **D8/72**
- (58) **Field of Classification Search**
USPC D8/71-74, 394-399, 59; 248/63, 72, 248/74.1, 689, 124.2; 81/487, 385, 386, 81/388-390; 269/3, 4, 6, 143, 165, 240, 269/243, 246-249, 254 R, 147-149; 29/256, 257, 276; 408/103, 104-109; 33/203.18
CPC G01B 5/255; B25B 1/00; B25B 5/00
See application file for complete search history.

- D395,993 S * 7/1998 Price D8/72
- 5,886,782 A * 3/1999 Hedgecock, Jr. G01B 11/26 33/203.18
- 6,427,346 B1 * 8/2002 Stieff G01B 21/26 33/203
- D507,226 S * 7/2005 Oksa D12/223
- 7,444,752 B2 * 11/2008 Stieff G01B 11/2755 33/203.18
- 7,578,066 B1 * 8/2009 Pellegrino G01B 5/255 248/220.21
- 8,166,745 B2 * 5/2012 Seiter B25B 27/22 59/7
- 8,650,765 B2 * 2/2014 Smith G01B 11/2755 33/203.18
- D738,179 S * 9/2015 Gray D8/72
- 2019/0291519 A1 * 9/2019 Polster B60C 25/138

* cited by examiner

Primary Examiner — David G Muller

(74) *Attorney, Agent, or Firm* — Burns & Levinson LLP; Bruce D. Jobse

(57) **CLAIM**

The ornamental design for a wheel clamp, as shown and described.

DESCRIPTION

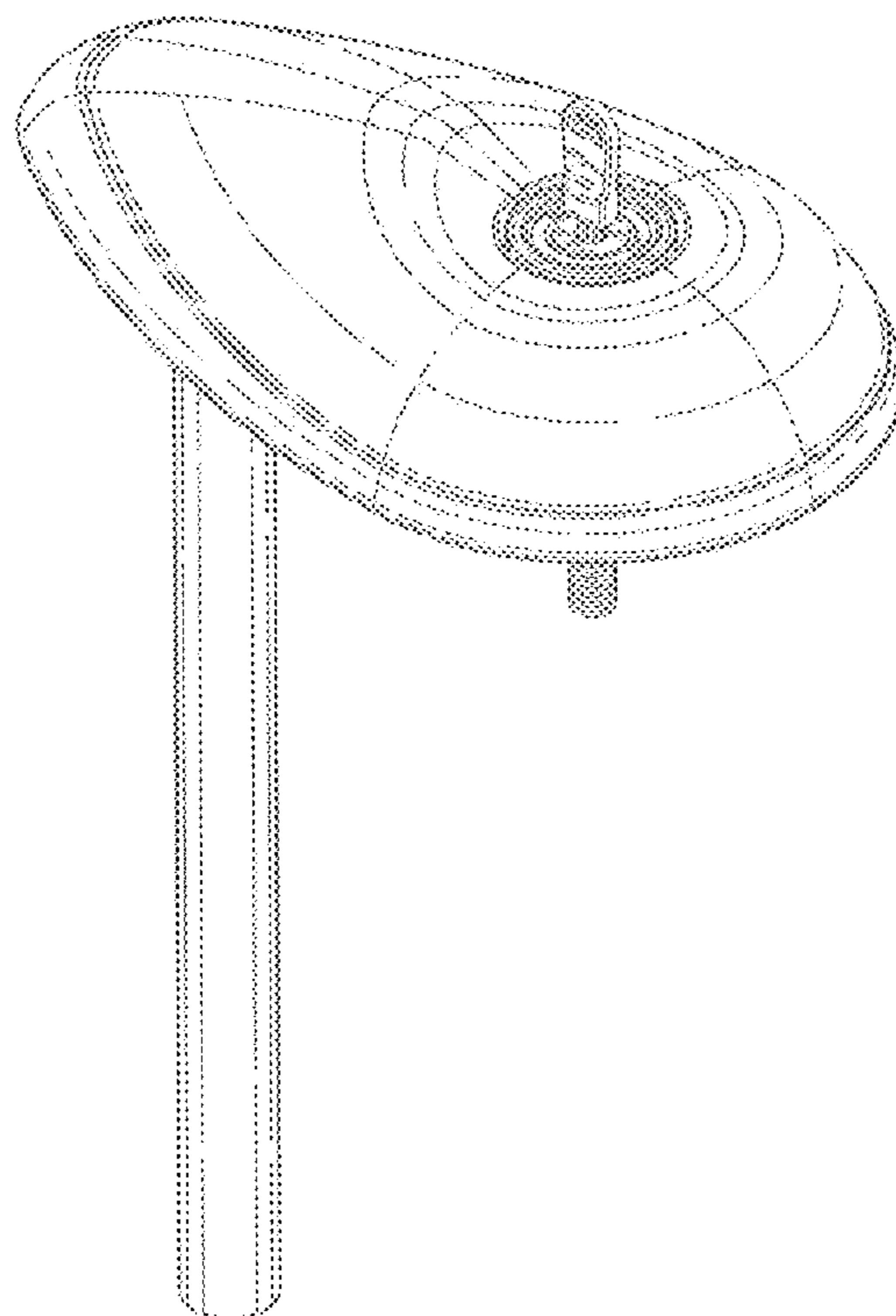
FIG. 1 is a rear view of the wheel clamp of my design; FIG. 2 is a left side view of the wheel clamp, the right side view being a mirror image thereof; FIG. 3 is a top view of the wheel clamp; FIG. 4 is a bottom/front/left side perspective view of the wheel clamp; and, FIG. 5 is a top/front/left side view of the wheel clamp.

1 Claim, 5 Drawing Sheets

(56) **References Cited**

U.S. PATENT DOCUMENTS

- 4,723,426 A * 2/1988 Beaudoin B60R 25/093 70/14
- D348,197 S * 6/1994 Denman D8/72
- 5,573,025 A * 11/1996 Atlas A45B 1/04 135/65



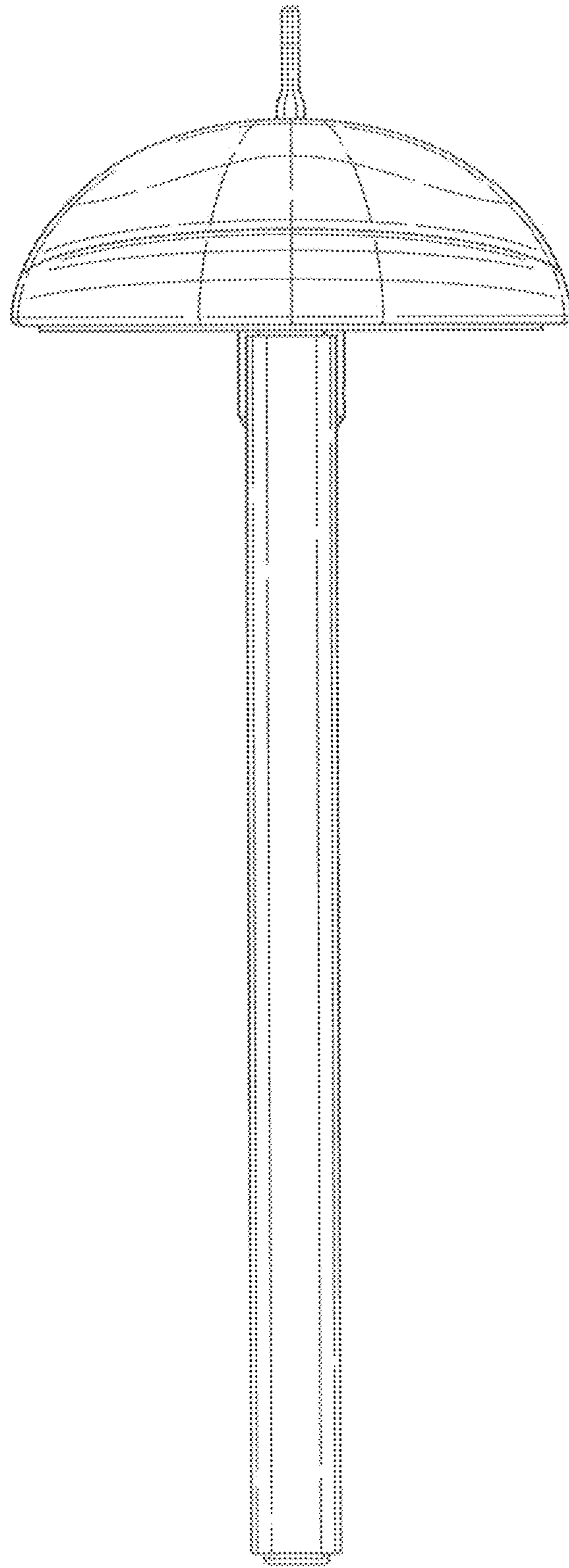


FIG. 1

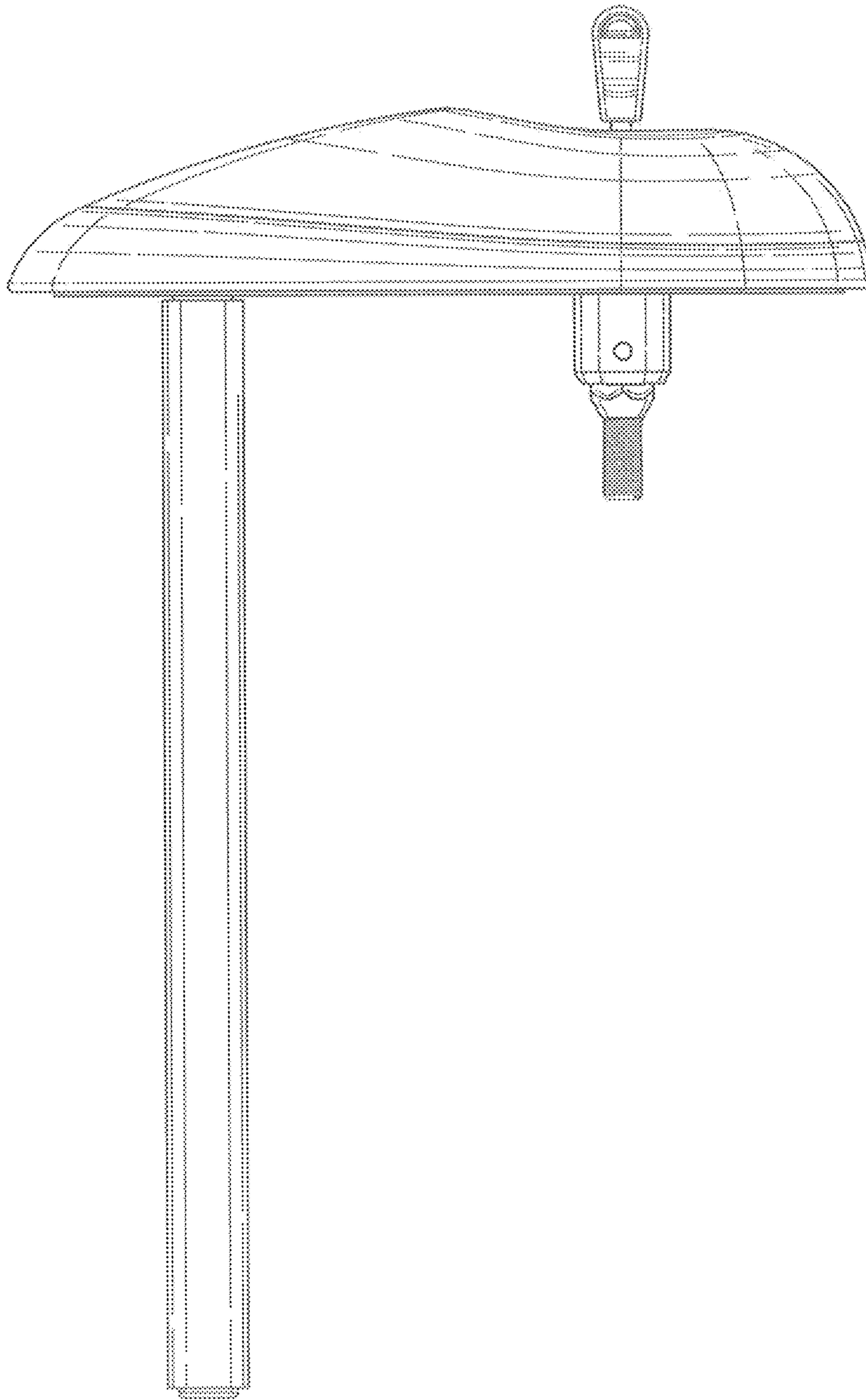


FIG. 2

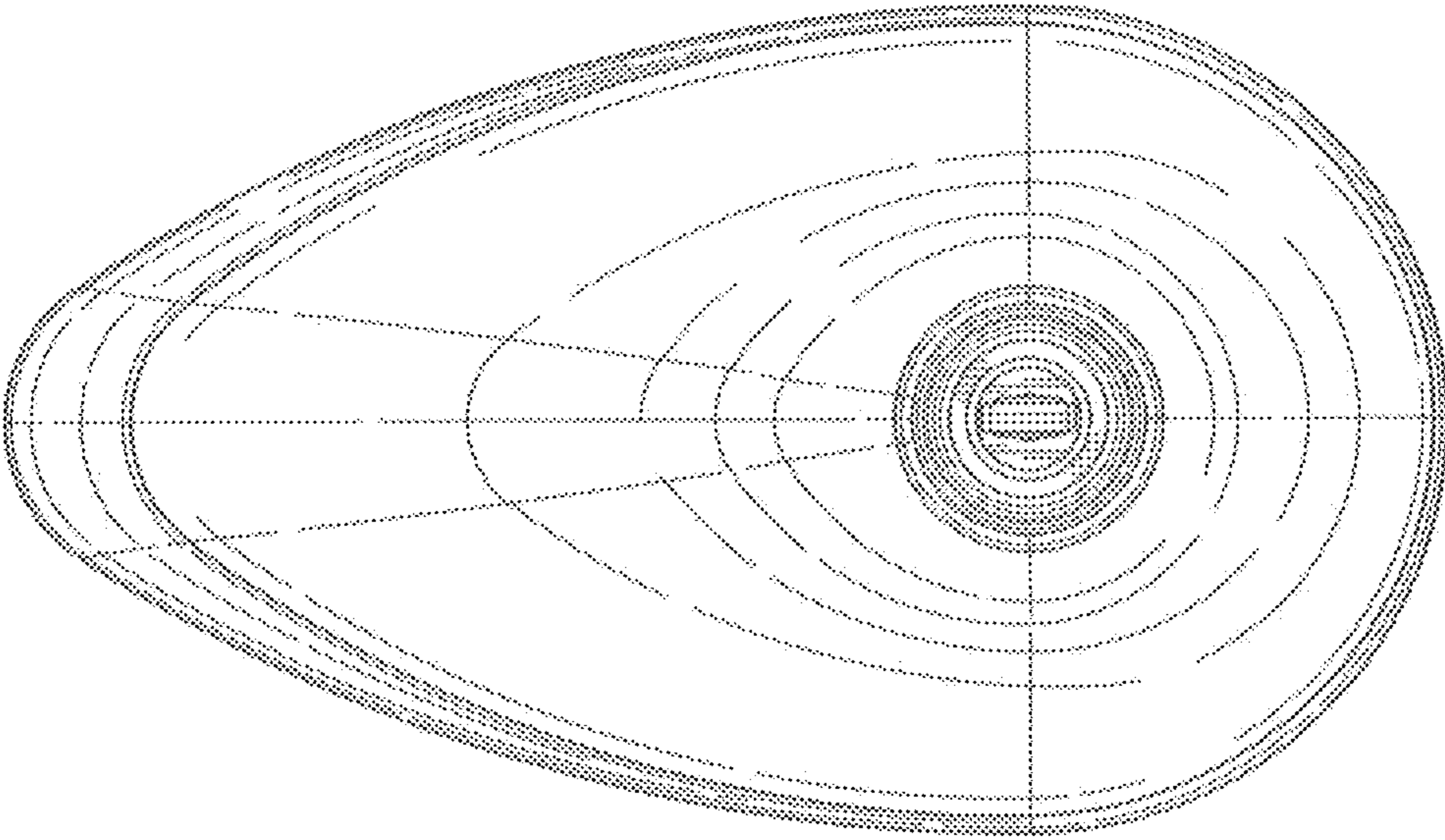


FIG. 3

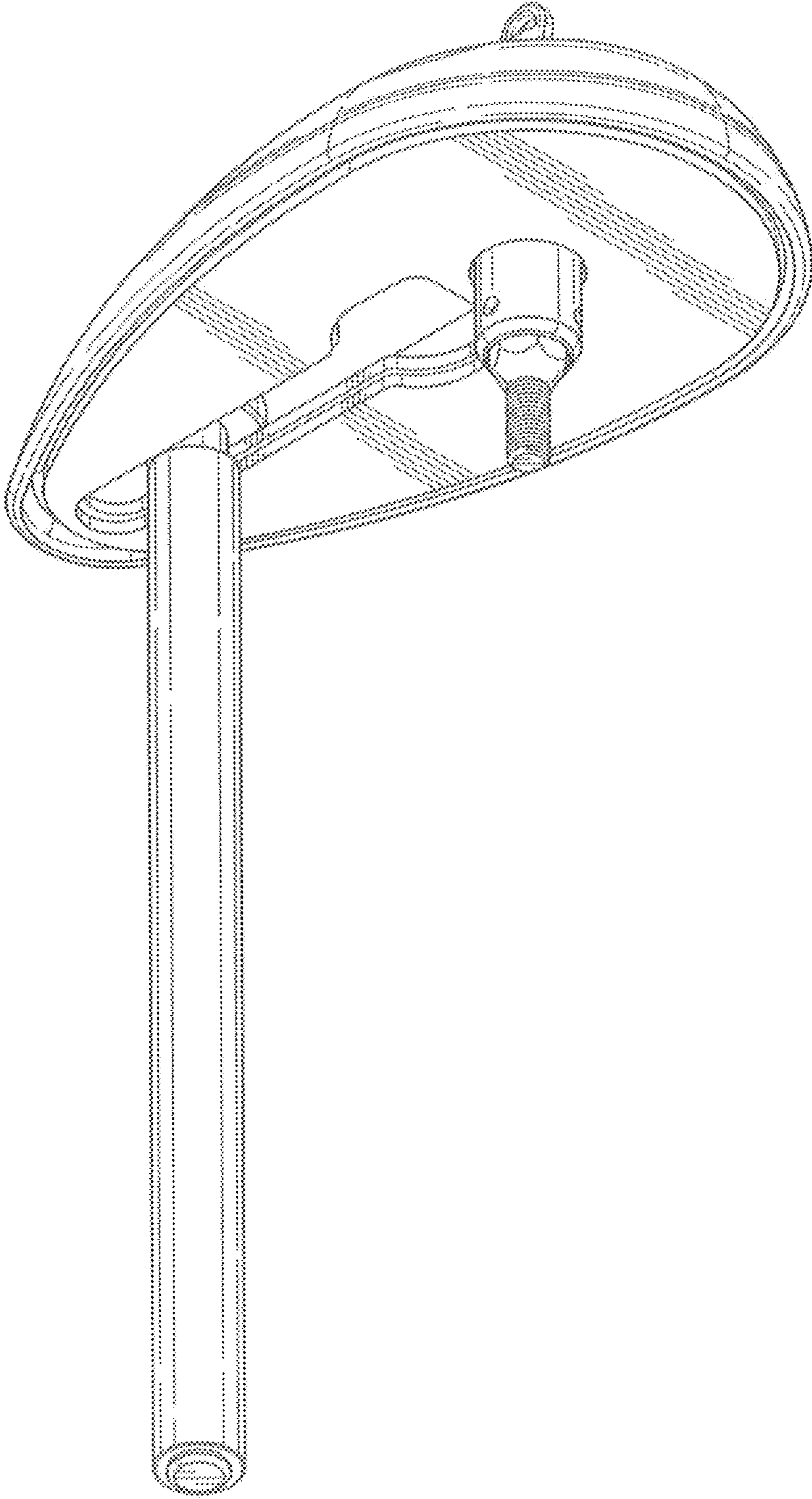


FIG. 4

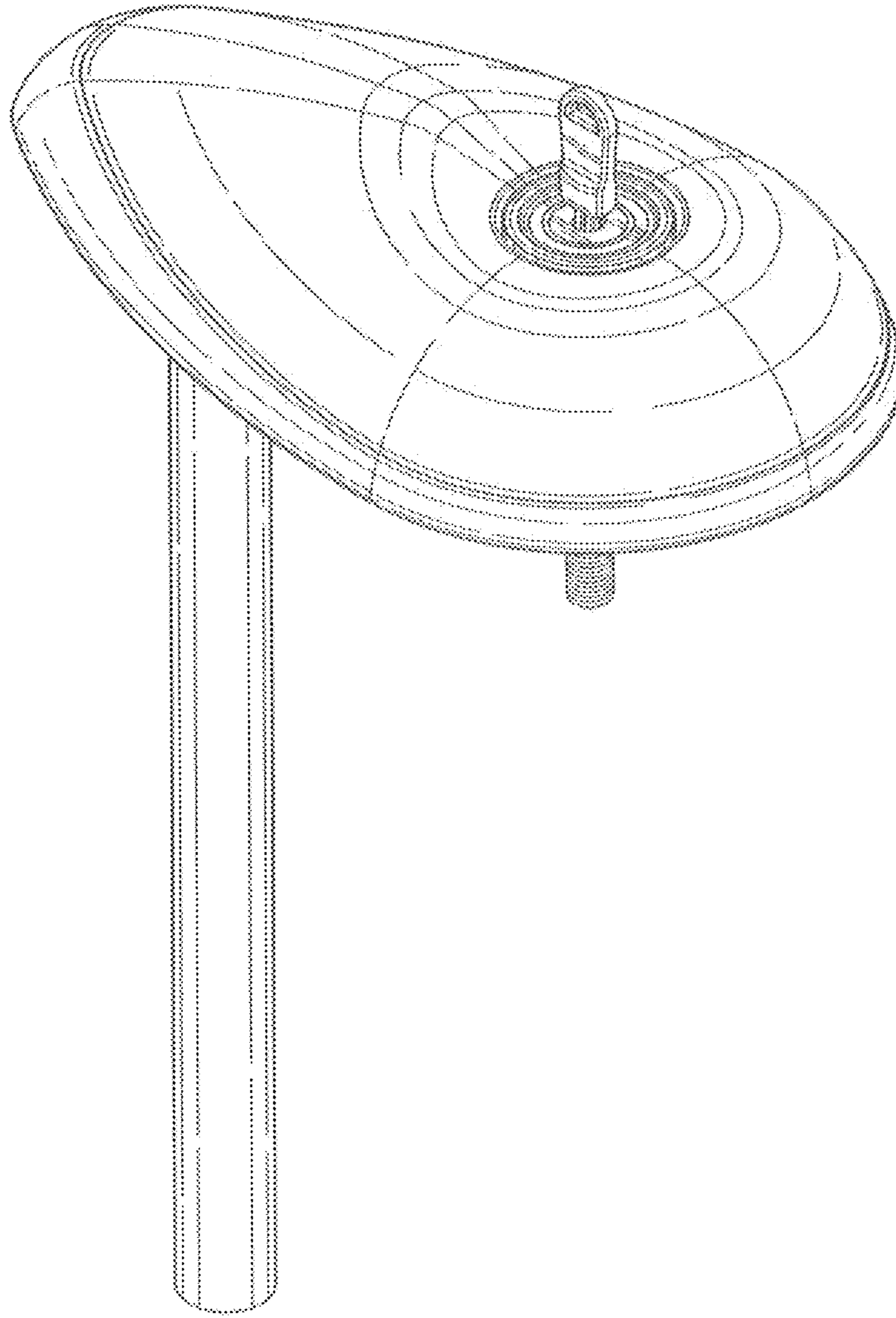


FIG. 5