



US00D915168S

(12) **United States Design Patent** (10) **Patent No.:** **US D915,168 S**  
**Bowyer** (45) **Date of Patent:** **\*\* Apr. 6, 2021**

(54) **GLAZING TOOL**

FOREIGN PATENT DOCUMENTS

(71) Applicant: **Brett Bowyer**, Bega (AU)

AU	120787	7/1994
AU	123963	7/1995

(72) Inventor: **Brett Bowyer**, Bega (AU)

OTHER PUBLICATIONS

(\*\*) Term: **15 Years**

Actopus Dipping Tongs, Amazon.com, Reviewed Dec. 2018.\*  
Boasity Dipping tool Amazon.com, No date, Sep. 8, 2020.\*

(21) Appl. No.: **29/698,140**

\* cited by examiner

(22) Filed: **Jul. 15, 2019**

(30) **Foreign Application Priority Data**

*Primary Examiner* — Philip S Hyder

Jun. 26, 2019 (AU) ..... 201913591

(74) *Attorney, Agent, or Firm* — Michael A. Bondi; Moss & Barnett

(51) **LOC (13) Cl.** ..... **08-05**

(57) **CLAIM**

(52) **U.S. Cl.**  
USPC ..... **D8/71**

The ornamental design for a glazing tool, as shown.

(58) **Field of Classification Search**  
USPC ..... D8/14, 51, 71, 72, 73, 74  
CPC ..... B28B 11/045; B05C 3/09; C04B 41/009;  
C04B 41/5022; C04B 41/86; B25B 1/00;  
B25B 5/00

**DESCRIPTION**

See application file for complete search history.

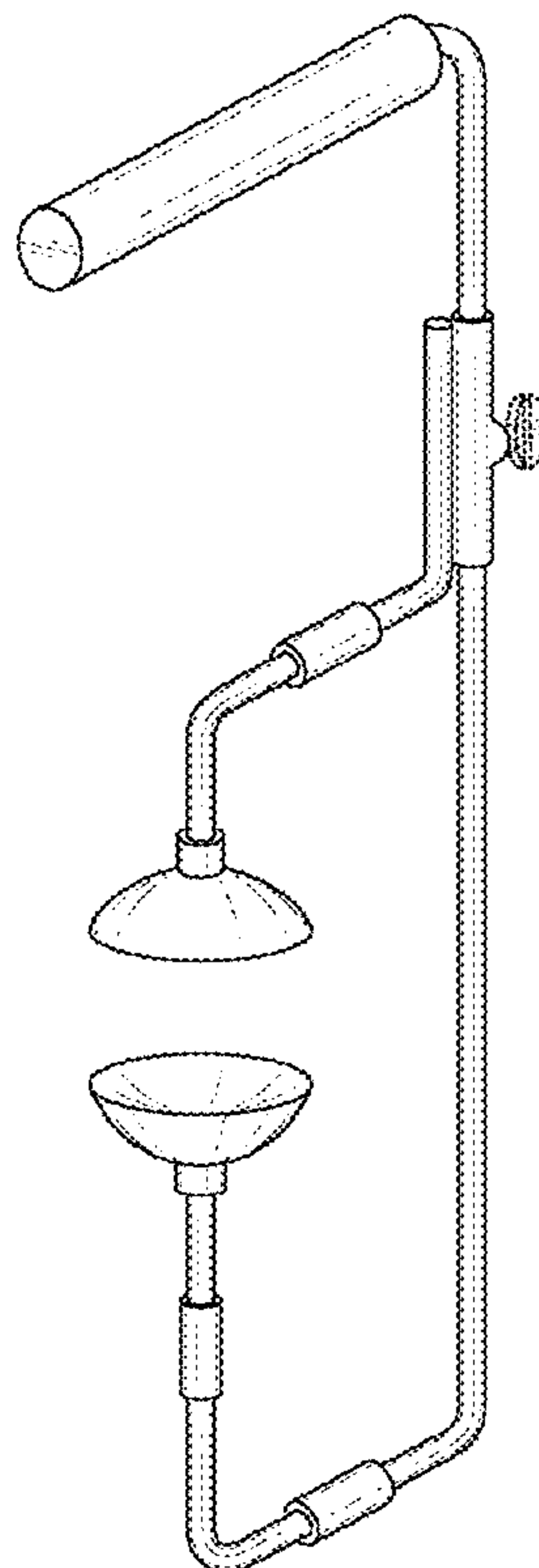
FIG. 1 is a perspective view of a glazing tool according to the invention.  
FIG. 2 is a first side view of the glazing tool.  
FIG. 3 is a second side view of the glazing tool.  
FIG. 4 is a front view of the glazing tool.  
FIG. 5 is a rear view of the glazing tool.  
FIG. 6 is a top view of the glazing tool; and,  
FIG. 7 is a bottom view of the glazing tool.  
The broken lines depict portions of the glazing tool in which the design is embodied that are not considered part of the claimed design.

(56) **References Cited**

U.S. PATENT DOCUMENTS

D719,002 S	12/2014	Robinson	
D742,711 S	11/2015	Maxfield	
D788,561 S	6/2017	Miller	
9,802,336 B2	10/2017	Marshall	
2014/0170329 A1*	6/2014	Marshall	..... B05C 3/09 427/443.2

**1 Claim, 7 Drawing Sheets**



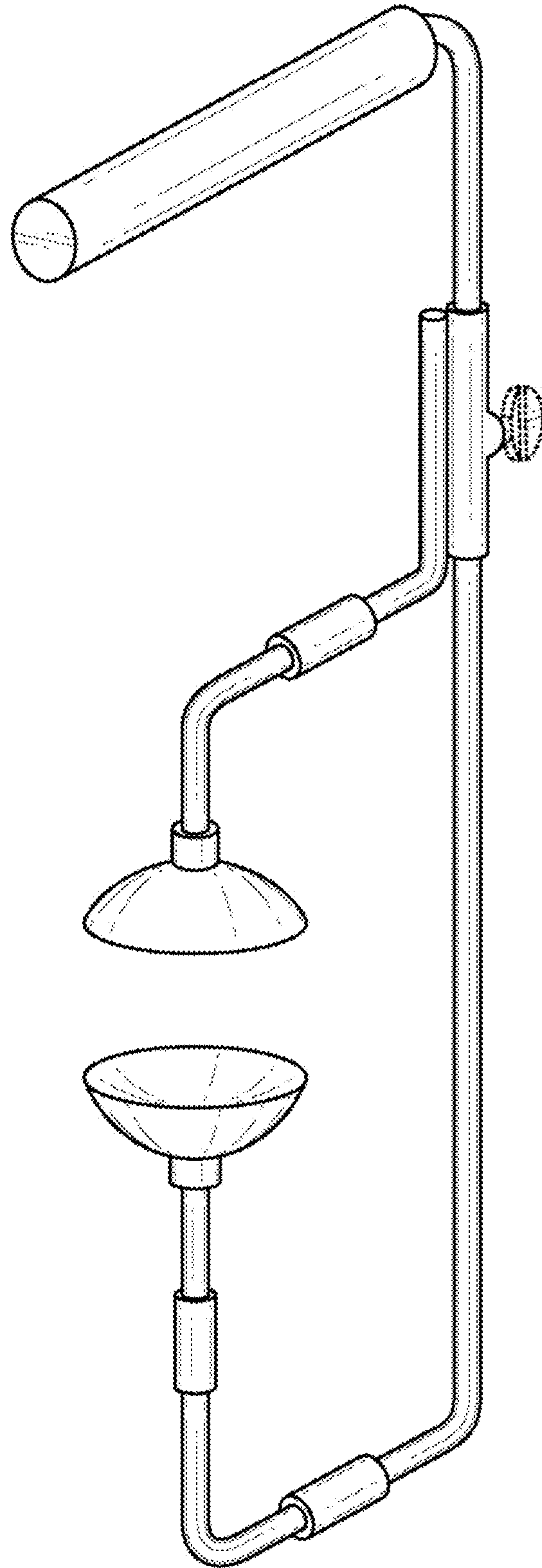


FIG. 1

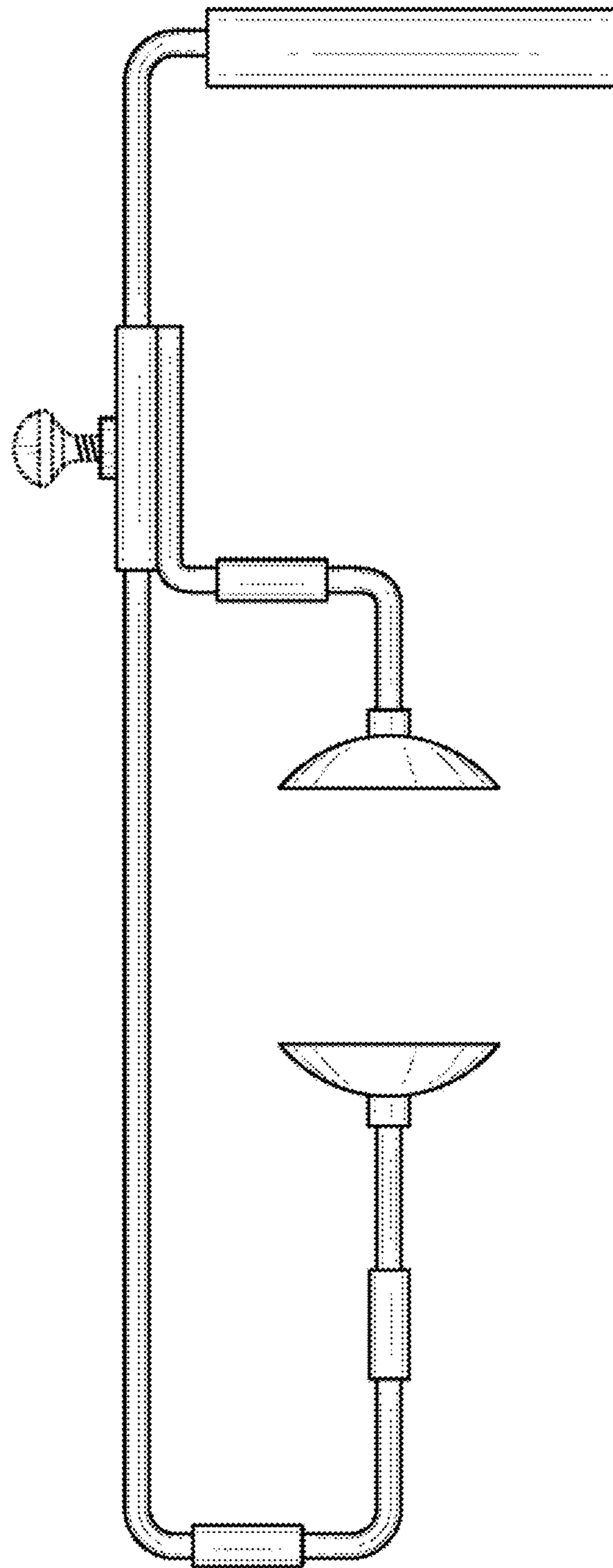


FIG. 2

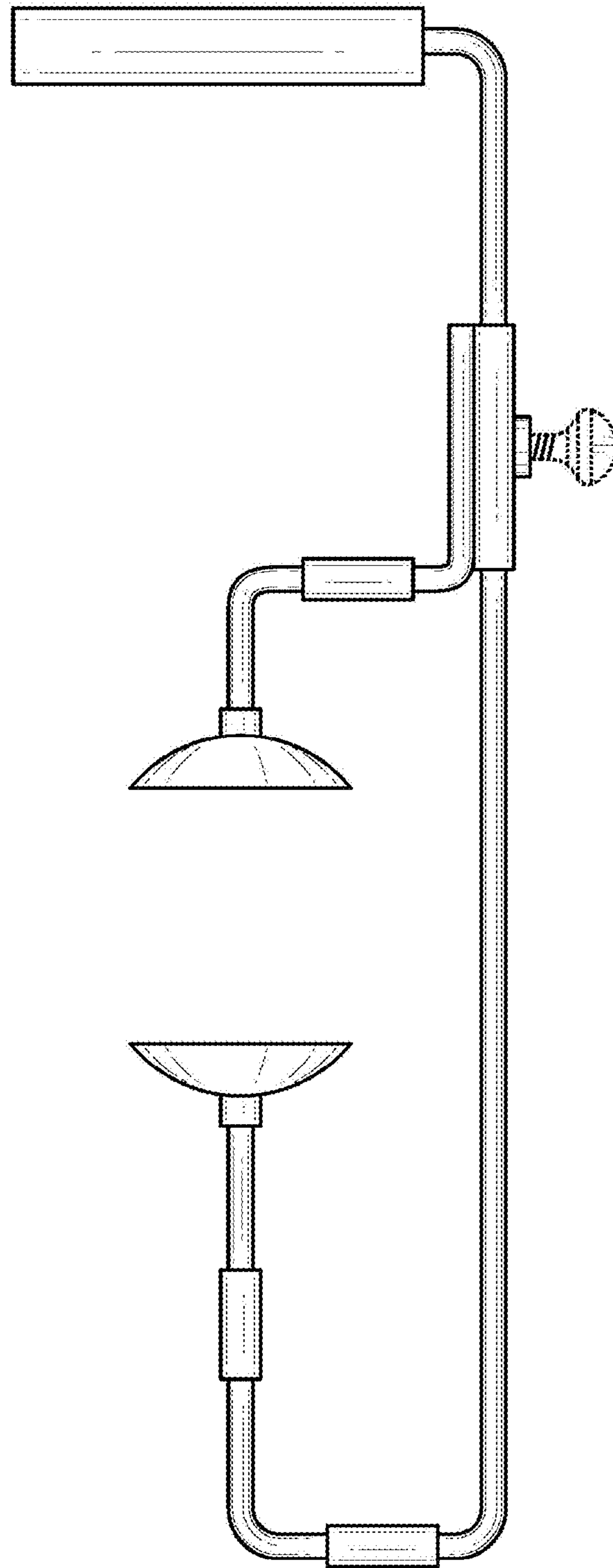


FIG. 3

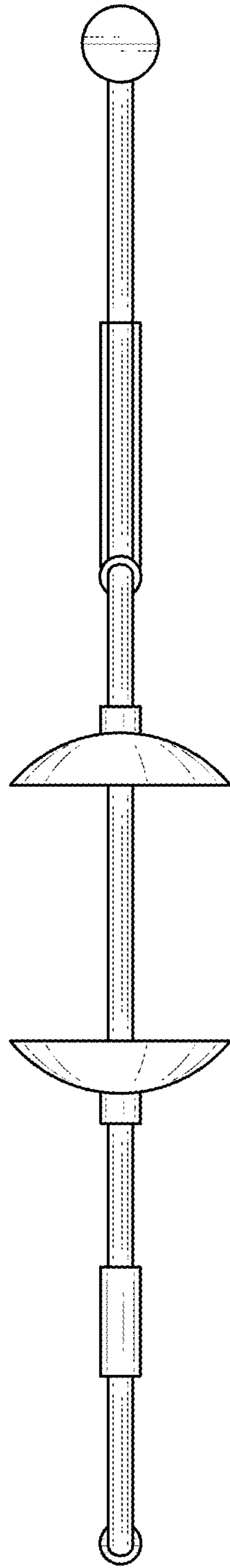


FIG. 4

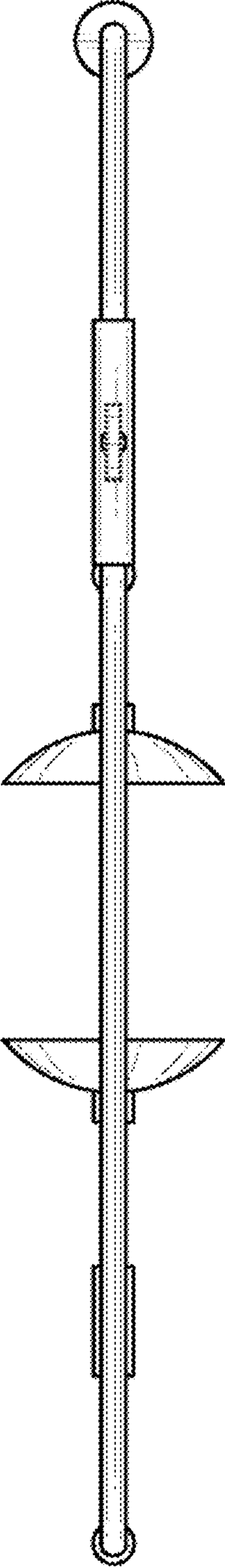


FIG. 5

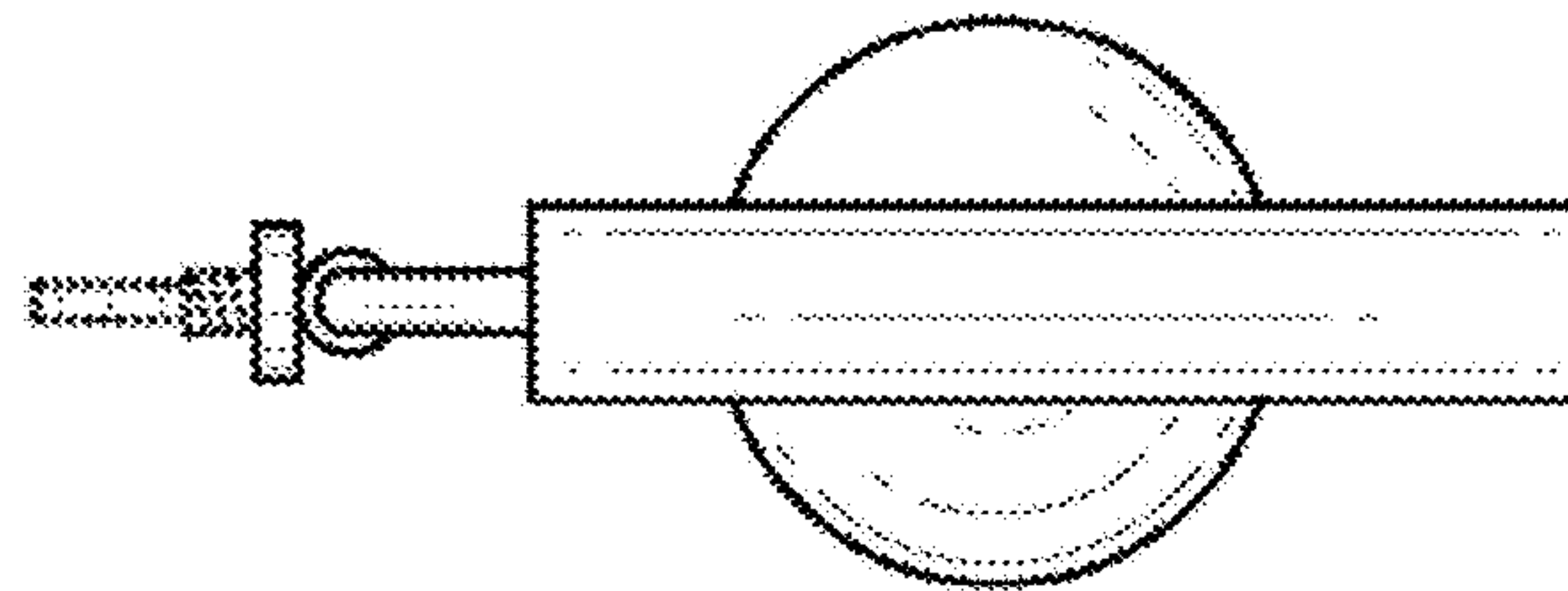


FIG. 6

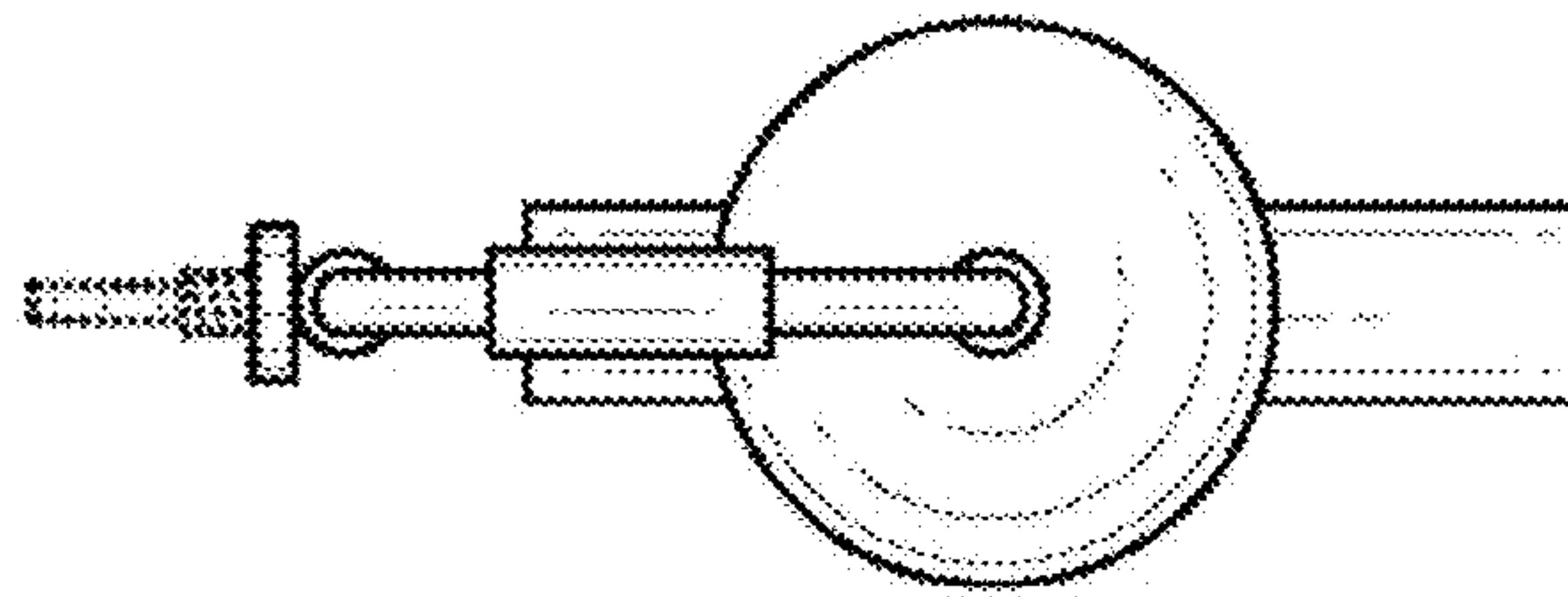


FIG. 7