



US00D915167S

(12) **United States Design Patent**
Valentini

(10) **Patent No.:** **US D915,167 S**

(45) **Date of Patent:** **** Apr. 6, 2021**

(54) **CIRCULAR BACKING PAD WITH
MAGNETS**

(71) Applicant: **Guido Valentini**, Milan (IT)

(72) Inventor: **Guido Valentini**, Milan (IT)

(**) Term: **15 Years**

(21) Appl. No.: **29/703,277**

(22) Filed: **Aug. 26, 2019**

(30) **Foreign Application Priority Data**

Feb. 28, 2019 (EM) 006270658

(51) **LOC (13) Cl.** **08-05**

(52) **U.S. Cl.**
USPC **D8/70**

(58) **Field of Classification Search**
USPC D8/20, 61, 62, 63, 70; D15/124, 125,
D15/126, 132, 138, 139, 140; D32/40
CPC . B24D 3/28; B24D 9/08; B24D 18/00; B24D
18/0027; B24B 37/24; B24B 37/26; B24B
55/102
See application file for complete search history.

(56) **References Cited**

U.S. PATENT DOCUMENTS

- 4,145,848 A * 3/1979 Hutchins B24B 55/102
451/359
- 4,287,685 A * 9/1981 Marton B24D 9/08
451/359
- 6,044,512 A * 4/2000 Hornby B24D 9/085
15/230
- 6,638,151 B2 * 10/2003 Ueno B24B 23/022
451/359
- D503,602 S * 4/2005 Hede D8/70
- D506,376 S * 6/2005 Hede D8/70
- D509,121 S * 9/2005 Hede D8/70
- 7,094,138 B2 * 8/2006 Chang B24B 55/10
451/359

- 8,323,076 B1 * 12/2012 Bort B24D 5/12
451/342
- 8,429,782 B2 * 4/2013 Russo B24B 23/04
15/97.1
- 8,636,562 B2 * 1/2014 Marton B24B 55/102
451/456
- D732,917 S * 6/2015 Valentini D8/70
- D738,177 S * 9/2015 Finnas D8/70
- D740,637 S * 10/2015 Finnas D8/70
- 9,278,425 B2 * 3/2016 Hashimoto B24B 37/32

(Continued)

FOREIGN PATENT DOCUMENTS

- EP 1514644 A1 * 3/2005 B24B 55/102
- EP 2145733 A1 * 1/2010 B24D 9/08

OTHER PUBLICATIONS

HIFROM 5-Inch/125mm Hook and Loop Backing Pad Orbital Sander Polisher Sanding Pad M14 Drill Adapter, printed on Apr. 8, 2020. www.Amazon.com.

(Continued)

Primary Examiner — Darlington Ly
(74) *Attorney, Agent, or Firm* — Ware, Fressola, Maguire & Barber LLP

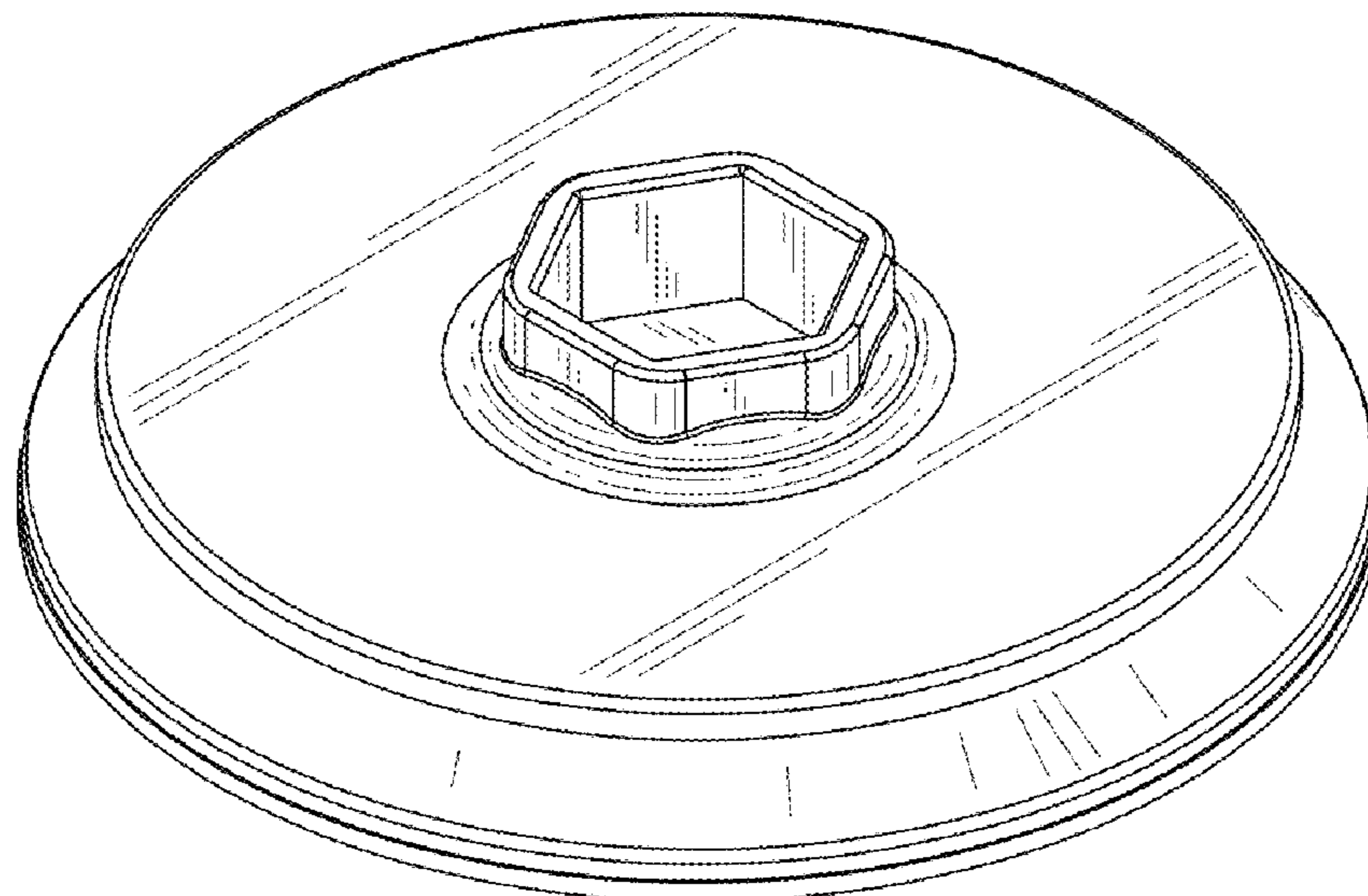
(57) **CLAIM**

The ornamental design for a circular backing pad with magnets, as shown and described.

DESCRIPTION

FIG. 1 is a top perspective view of a circular backing pad with magnets embodying my new design;
FIG. 2 is a left side elevation view thereof, to which the right side elevation view is a mirror image;
FIG. 3 is a front elevation view thereof, to which the rear elevation view is a mirror image;
FIG. 4 is a top plan view thereof; and,
FIG. 5 is a bottom plan view thereof.

1 Claim, 2 Drawing Sheets



(56)

References Cited

U.S. PATENT DOCUMENTS

9,302,365	B2 *	4/2016	Valentini	B24B 23/02
9,421,663	B2 *	8/2016	Thomaschewski	B24B 23/03
9,597,776	B2 *	3/2017	Kolthoff	B29C 45/14819
D808,236	S *	1/2018	Schumacher	D8/70
9,975,219	B2 *	5/2018	Fontes Da Rocha Castro	B24D 9/08
D861,447	S *	10/2019	Strickland	D8/32
D876,502	S *	2/2020	Ali	D15/126
10,576,610	B2 *	3/2020	Valentini	B24B 55/102
10,661,407	B2 *	5/2020	Valentini	B24B 23/03
2005/0058518	A1 *	3/2005	Valentini	B24B 23/02 409/134
2007/0218817	A1 *	9/2007	Lee	B24B 37/345 451/285
2009/0233527	A1 *	9/2009	Chung-Fat	B24B 45/003 451/28
2010/0015900	A1 *	1/2010	Valentini	B24D 9/08 451/490
2010/0095470	A1 *	4/2010	Umbrell	B24D 13/147 15/230.19
2013/0029571	A1 *	1/2013	Valentini	B24B 55/102 451/456

OTHER PUBLICATIONS

Rupes 150mm Max RPM 4.000 Slim Velcro Backing Pad 992.600, printed on Apr. 8, 2020, www.ebay.com.

Stadea Foam Hook and Loop Velcro Backing Pad—4 Inch—Arbor 5/8" 11, 1 Piece—Series Standard A, printed Apr. 8, 2020. www.shopnsavemart.com.

Plastic backing pad with depressed centre—Saitpad BZ—Sait, Apr. 8, 2020.

3 Inch Sticky Backing Pad Napping Hook And Loop Sanding Disc Pad Polishing Sander Backer Plate, printed Apr. 8, 2020. www.banggood.com.

Festool 5" Super Soft RO 125 FEQ Sander Backing Pad, printed Apr. 8, 2020. www.merrittsupply.com.

Festool Soft Longlife Sander Backing Pad for ETS 150/LEX 150 Sanders, D150, 1 Pack—498987, printed Apr. 8, 2020. www.tooldepot247.com.

Festool 5" Soft ETS EC 125 / LEX 125 Sander Backing Pad, Apr. 8, 2020. www.merrittsupply.com.

* cited by examiner

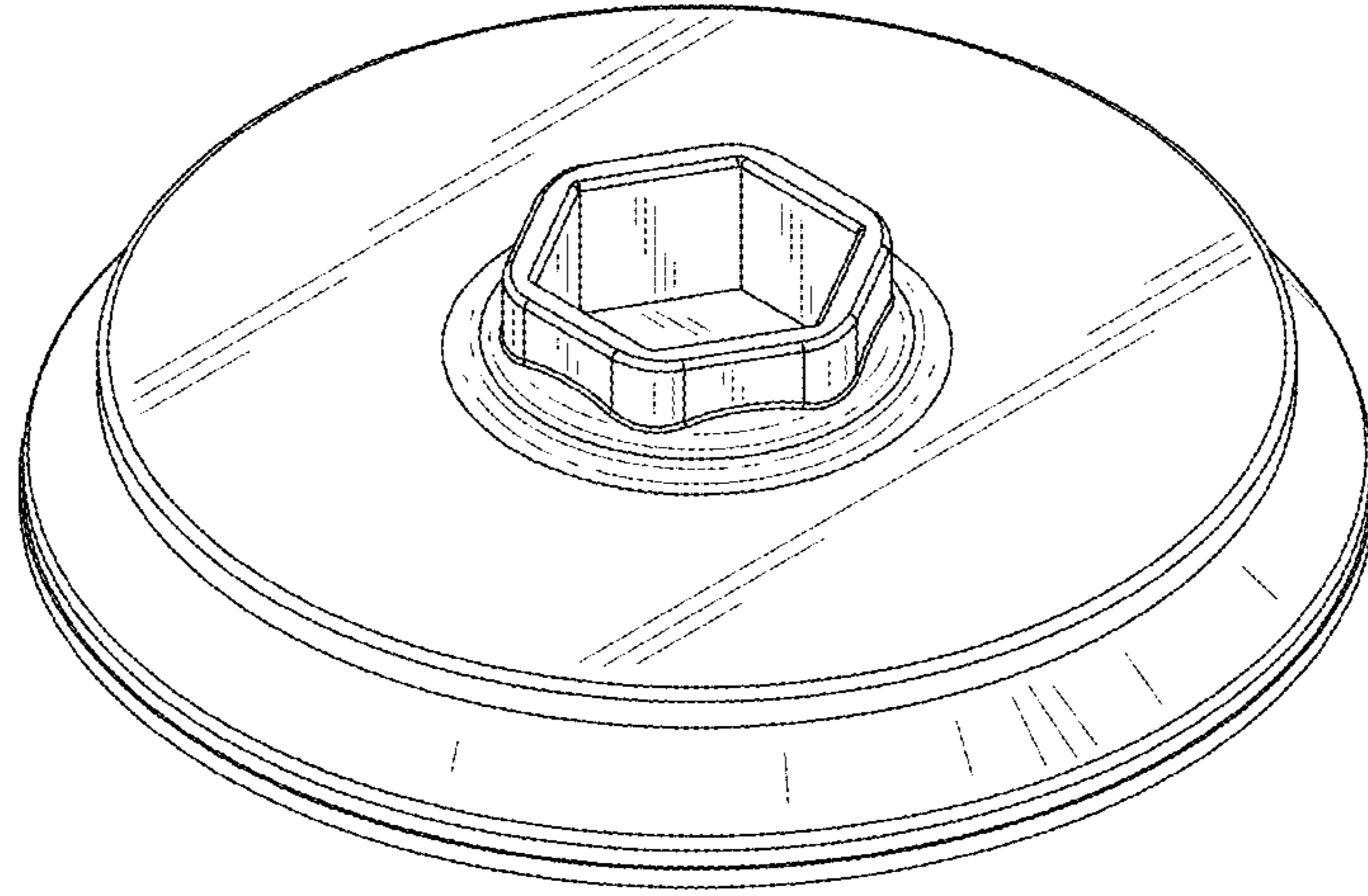


FIG. 1

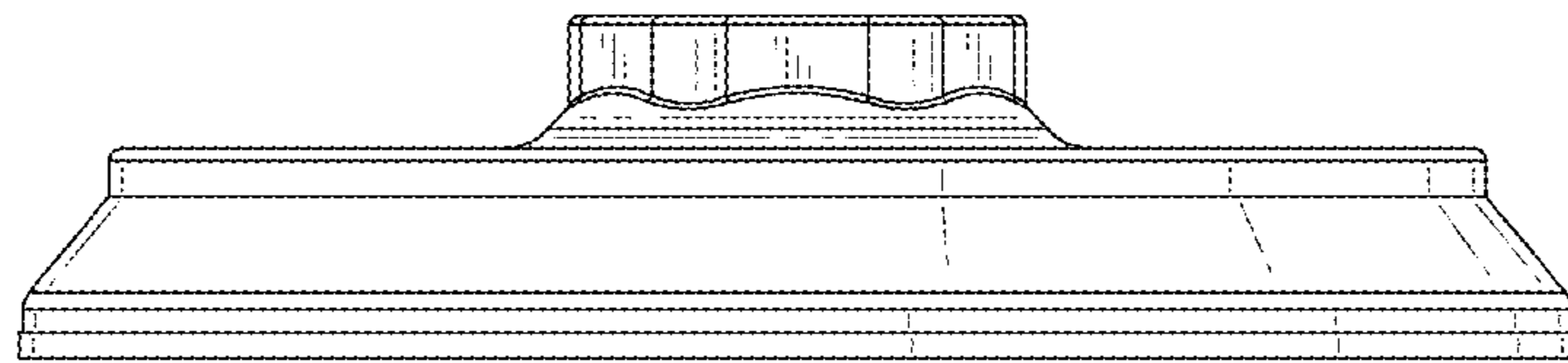


FIG. 2

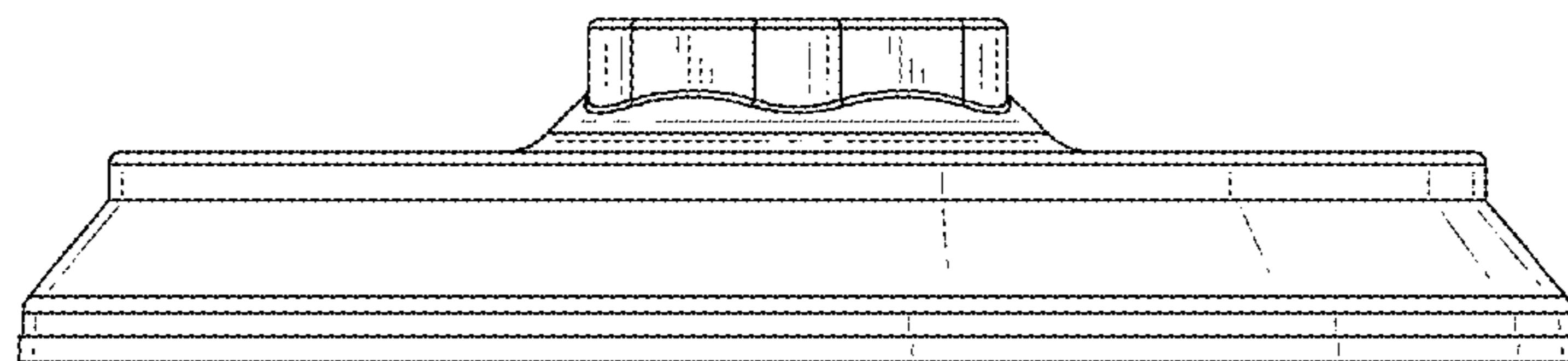


FIG. 3

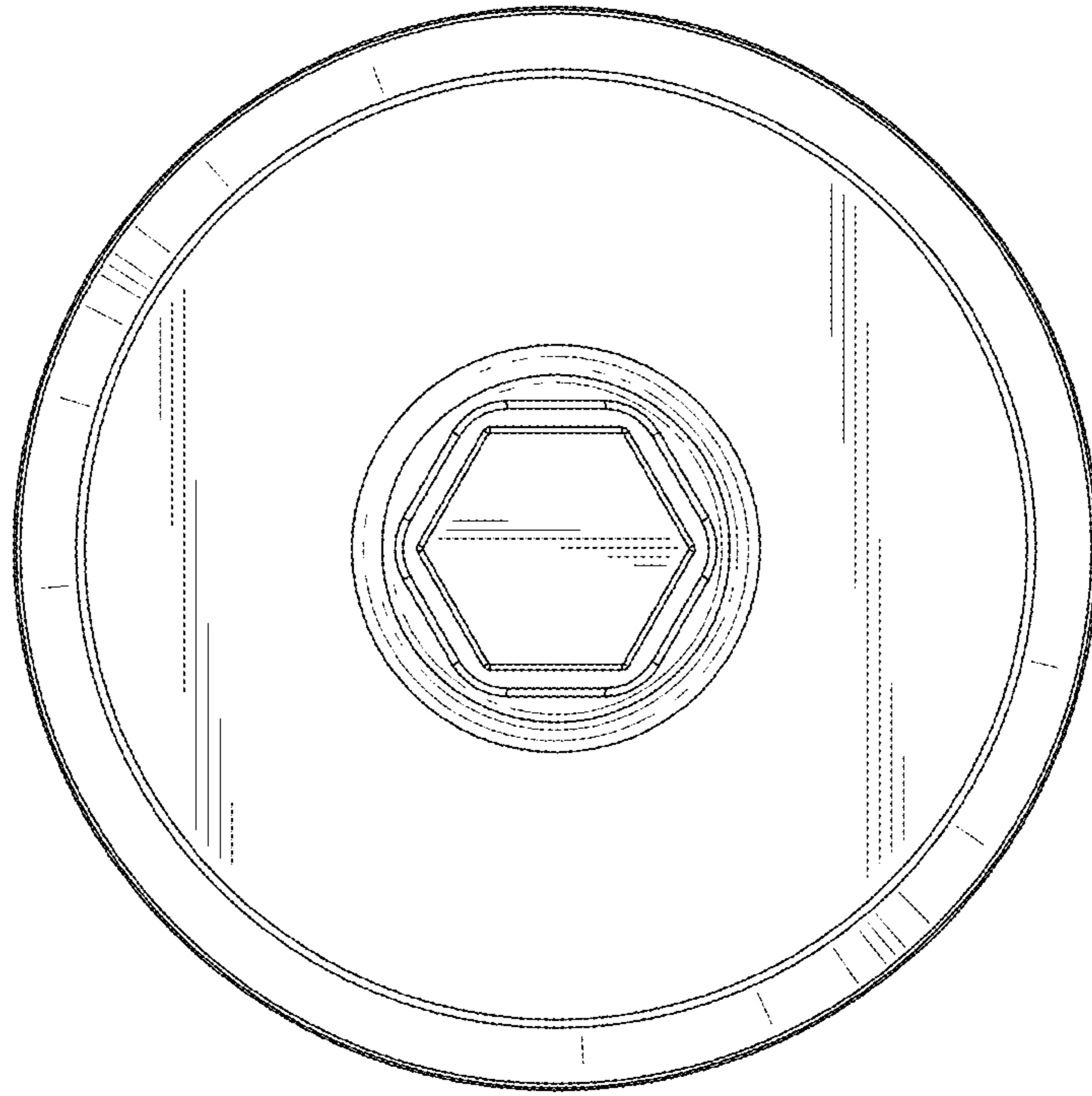


FIG. 4

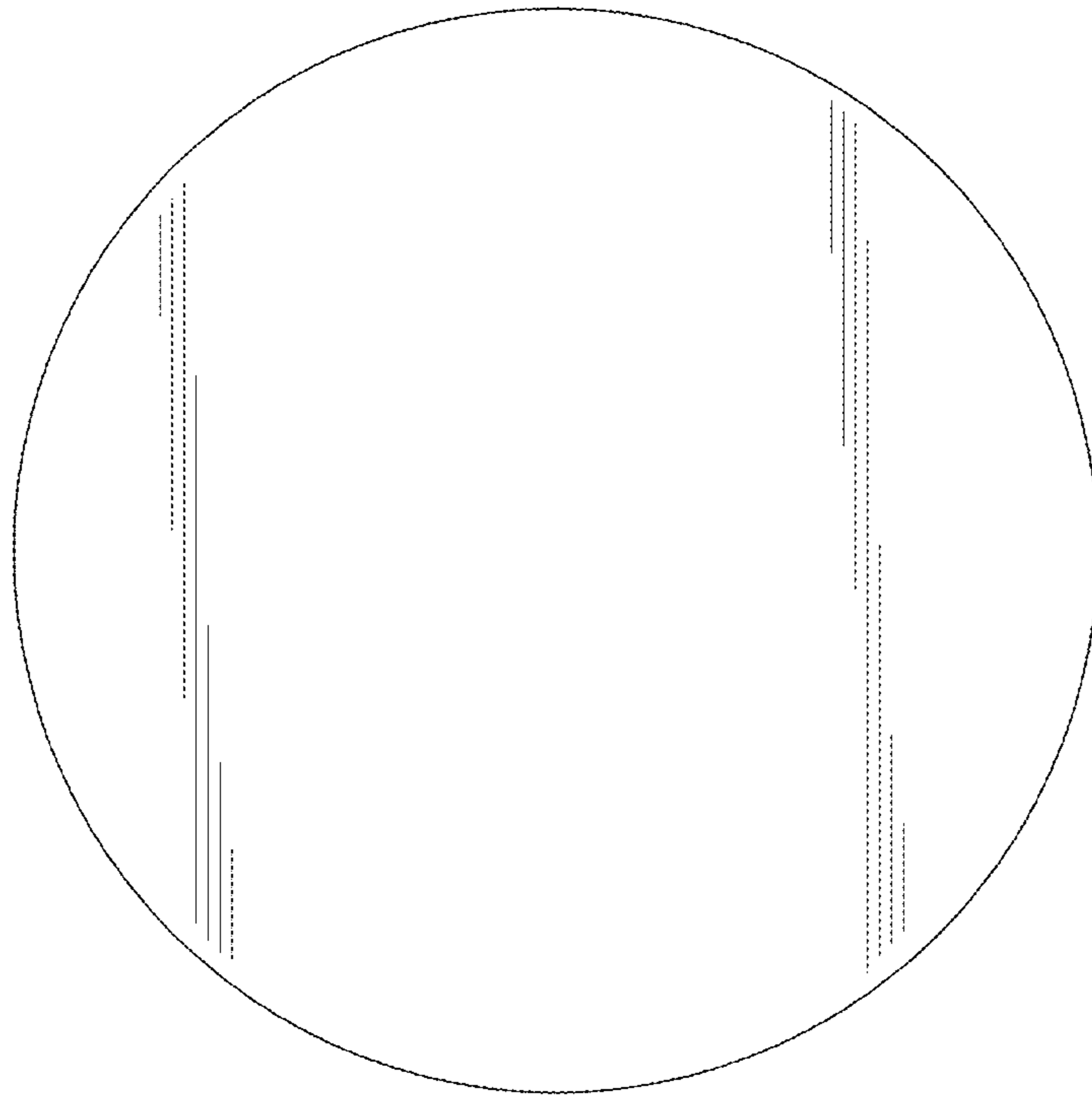


FIG. 5