



US00D915166S

(12) **United States Design Patent** (10) **Patent No.:** **US D915,166 S**
Huang (45) **Date of Patent:** **** Apr. 6, 2021**

(54) **GLUE GUN HOUSING**
(71) Applicant: **YEU CHYUAN INDUSTRIAL CO., LTD.**, Chiayi County (TW)
(72) Inventor: **Yung-Kuan Huang**, Chiayi County (TW)
(73) Assignee: **YEU CHYUAN INDUSTRIAL CO., LTD.**, Chiayi County (TW)

D576,458 S * 9/2008 Arns D8/30
7,775,403 B2 * 8/2010 Monfeli B25F 5/02
222/173
D671,385 S * 11/2012 Yung-Kuan D8/30
D748,444 S * 2/2016 Huang D8/30
D755,305 S * 5/2016 Edlauer D21/423
D809,884 S * 2/2018 Huang D8/30
D821,170 S * 6/2018 Huang D8/30
D870,525 S * 12/2019 Zhang D8/30
D879,568 S * 3/2020 Wang D8/30

* cited by examiner

(**) Term: **15 Years**
(21) Appl. No.: **29/708,697**

Primary Examiner — Philip S Hyder
(74) *Attorney, Agent, or Firm* — Alan D. Kamrath; Karin L. Williams; Mayer & Williams PC

(22) Filed: **Oct. 9, 2019**
(51) **LOC (13) Cl.** **08-05**
(52) **U.S. Cl.**
USPC **D8/30**
(58) **Field of Classification Search**
USPC D8/29.1, 29.2, 30
CPC B05C 17/0053; B05C 17/00546; B05C 17/00526; B05C 17/01
See application file for complete search history.

(57) **CLAIM**

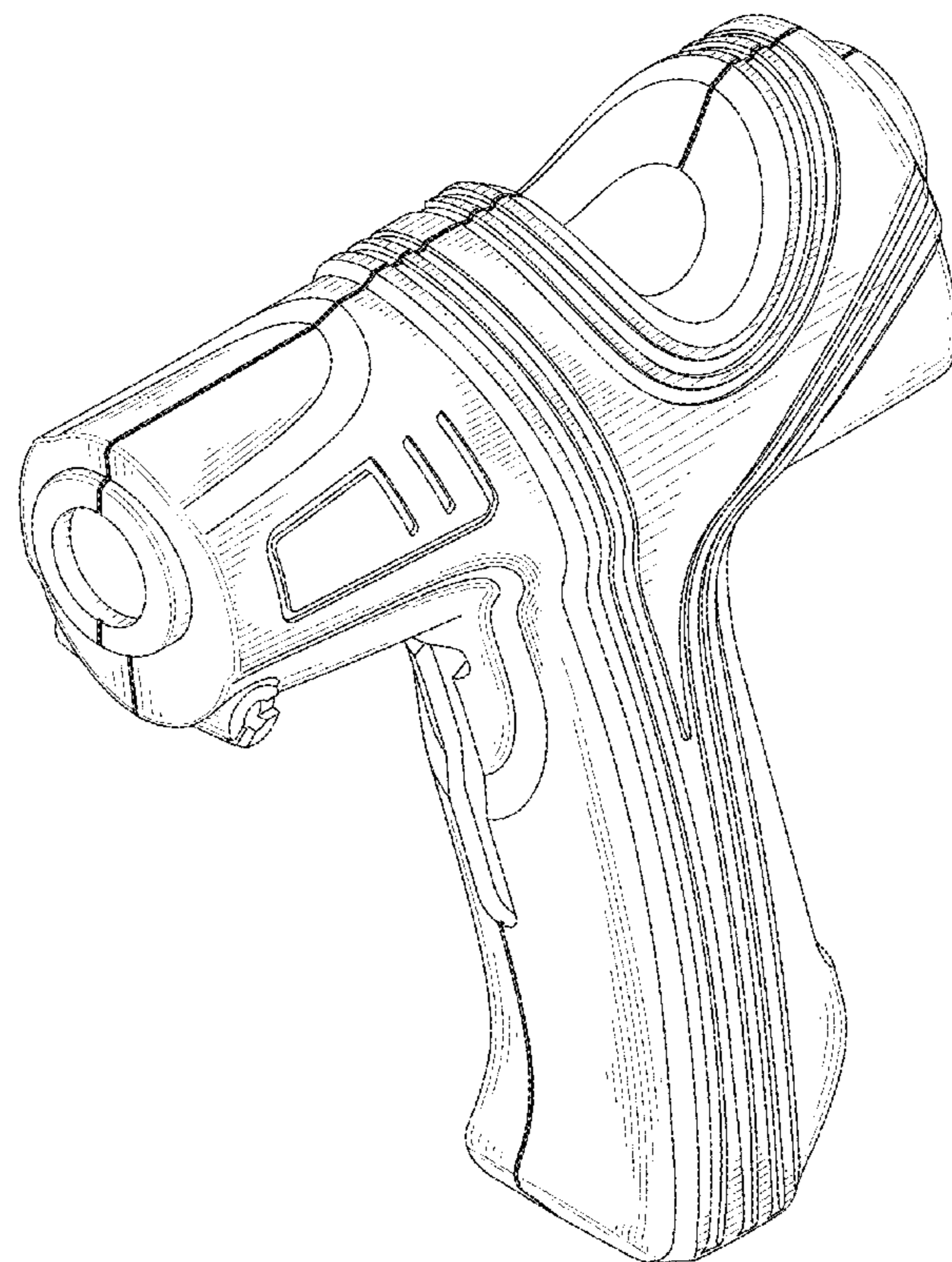
The ornamental design for a glue gun housing, as shown and described.

DESCRIPTION

FIG. 1 is a perspective view of a glue gun housing, showing my new design;
FIG. 2 is a front elevational view thereof;
FIG. 3 is a rear elevational view thereof;
FIG. 4 is a left side view thereof;
FIG. 5 is a right side view thereof;
FIG. 6 is a top plan view thereof; and,
FIG. 7 is a bottom plan view thereof.

(56) **References Cited**
U.S. PATENT DOCUMENTS
D404,622 S * 1/1999 Singleton D8/29.1
6,105,824 A * 8/2000 Singleton B05C 17/0053
219/221
D510,243 S * 10/2005 Lee D8/30
D514,406 S * 2/2006 Lee D8/30
D535,167 S * 1/2007 Monfeli D8/14.1

1 Claim, 5 Drawing Sheets



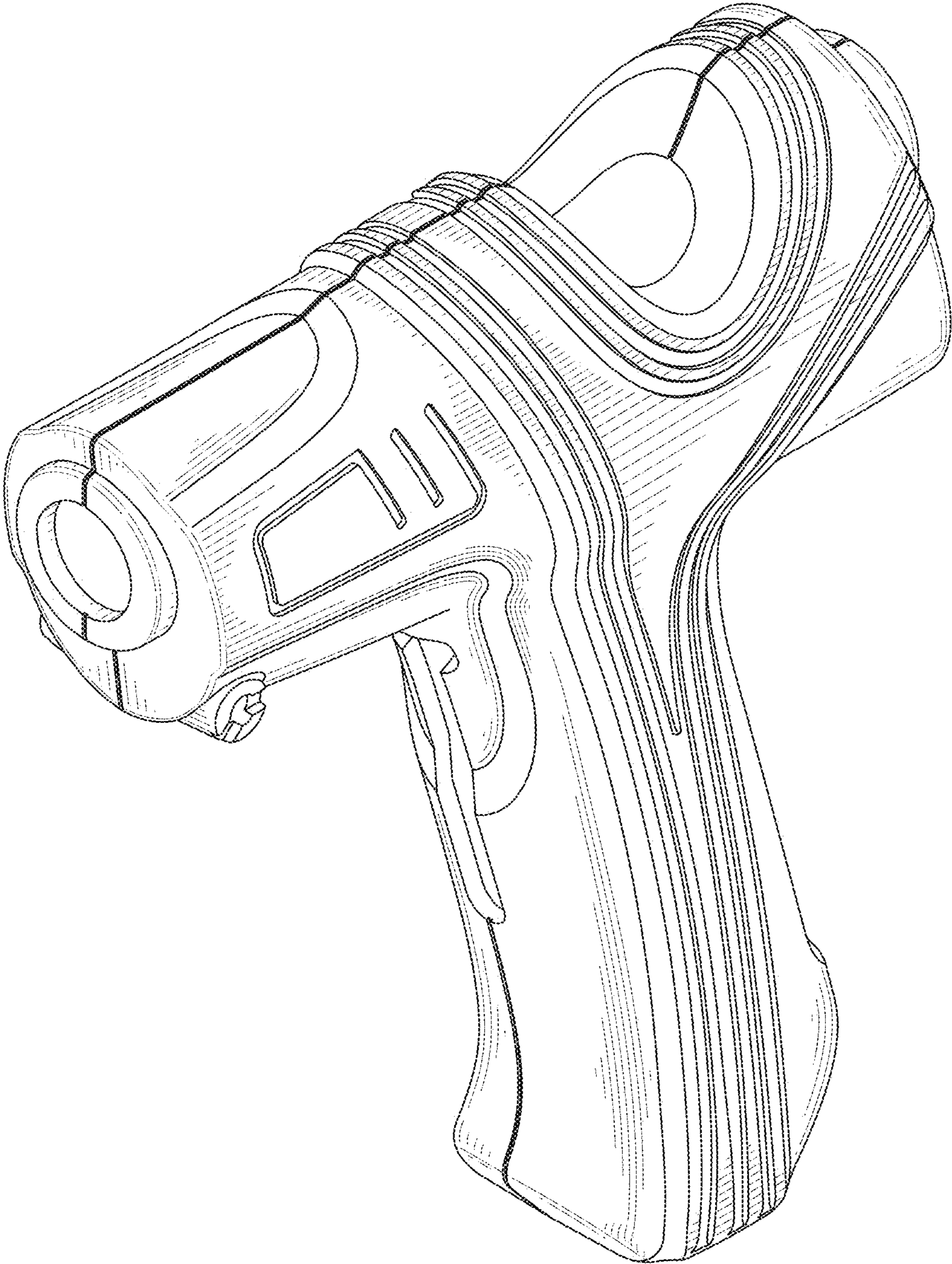


FIG. 1

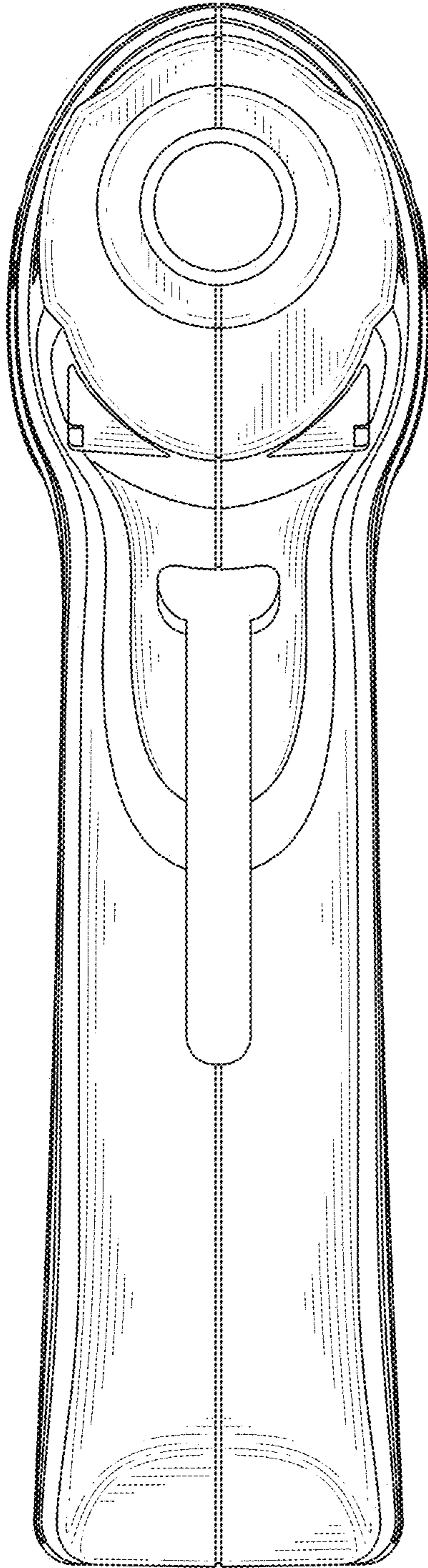


FIG. 2

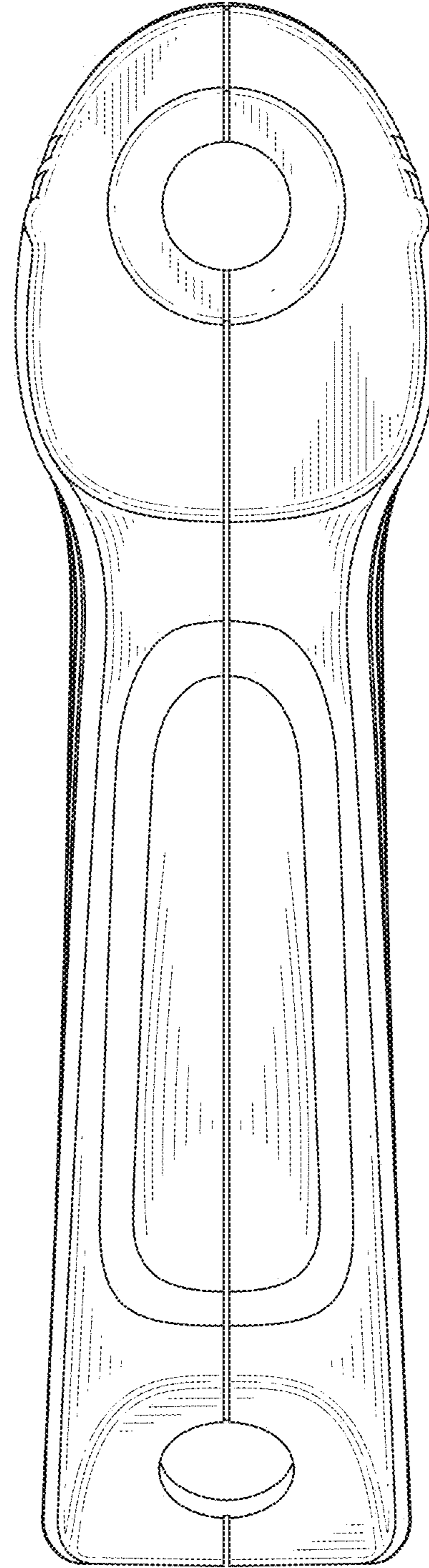


FIG. 3

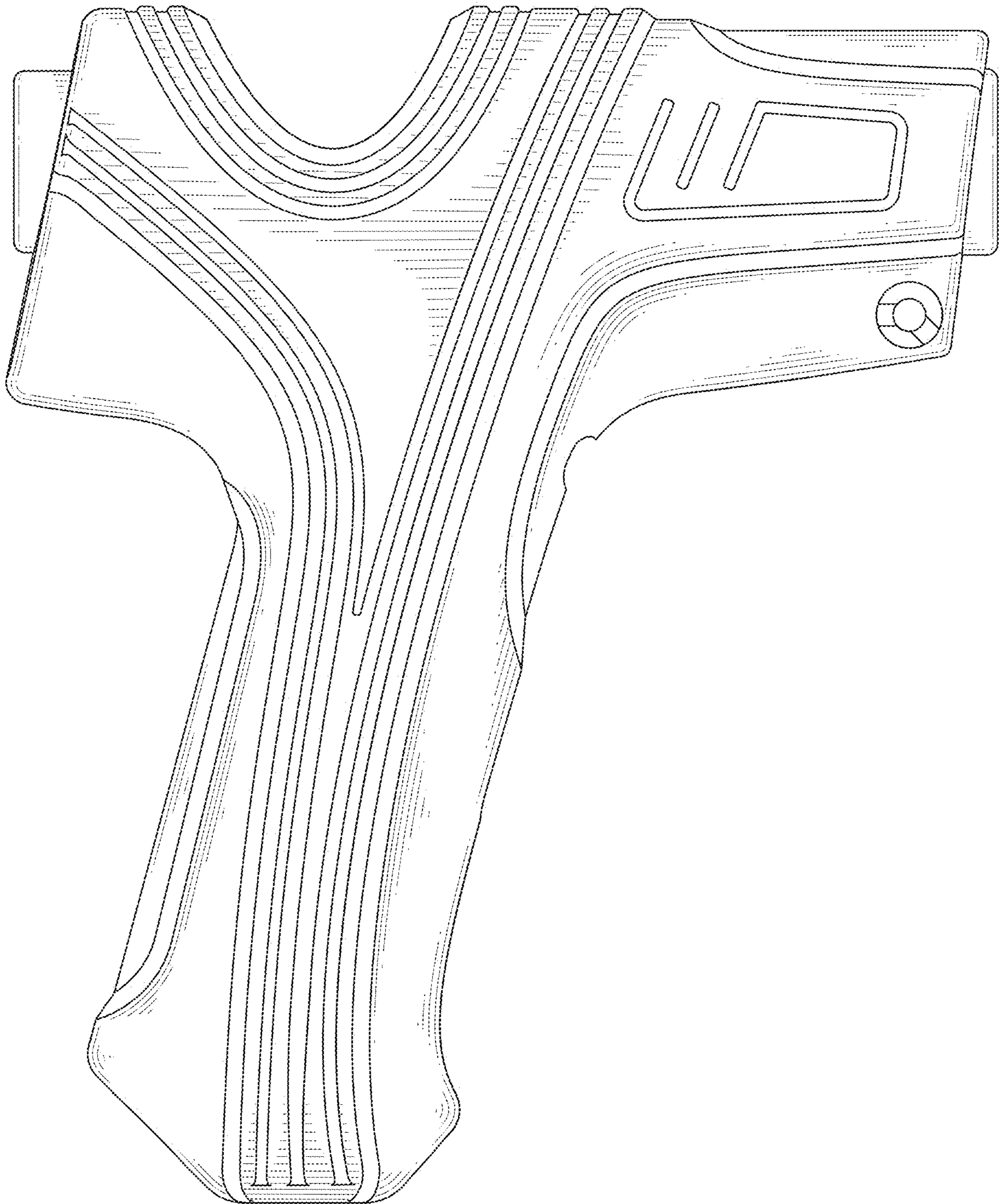


FIG. 4

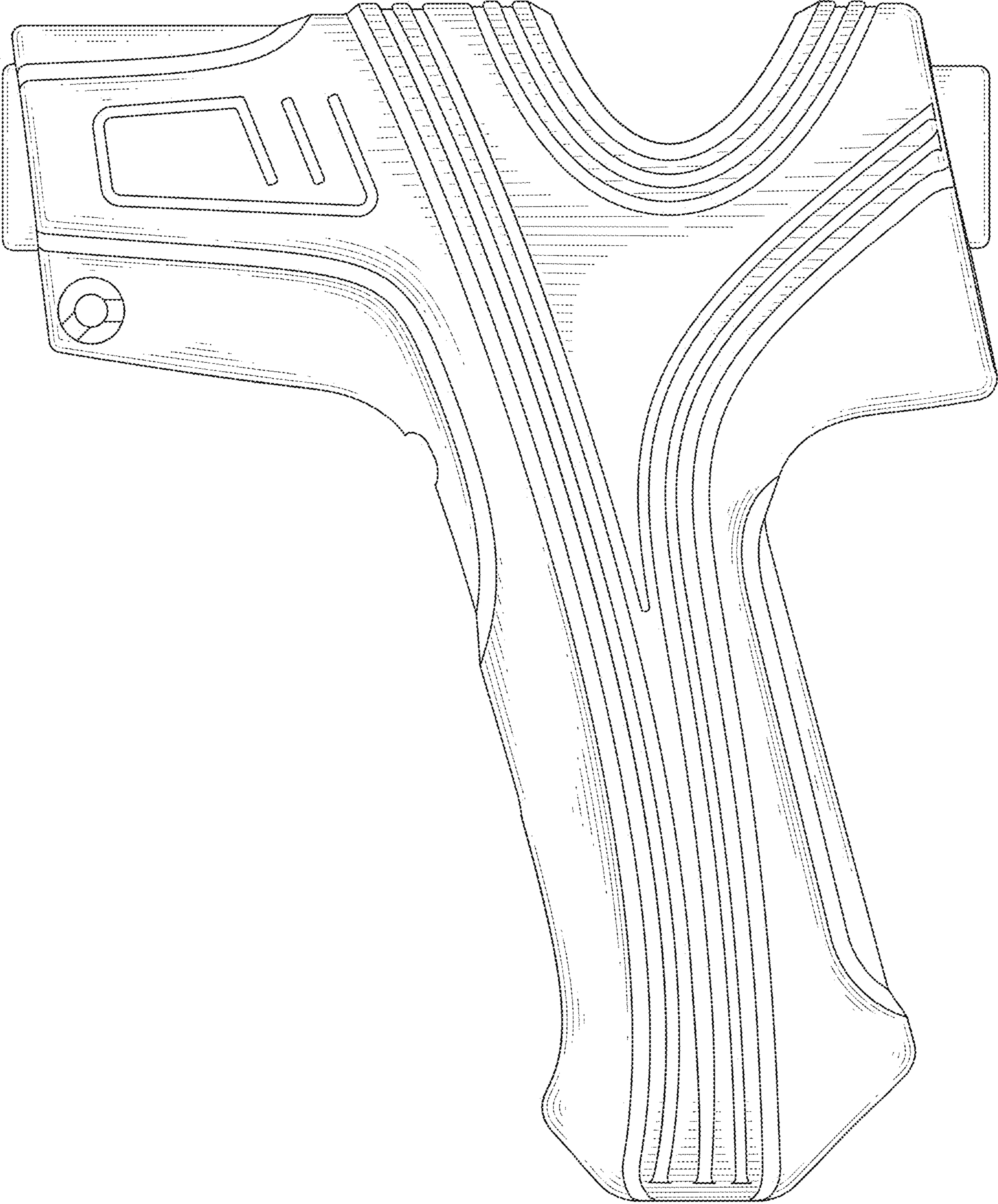


FIG. 5

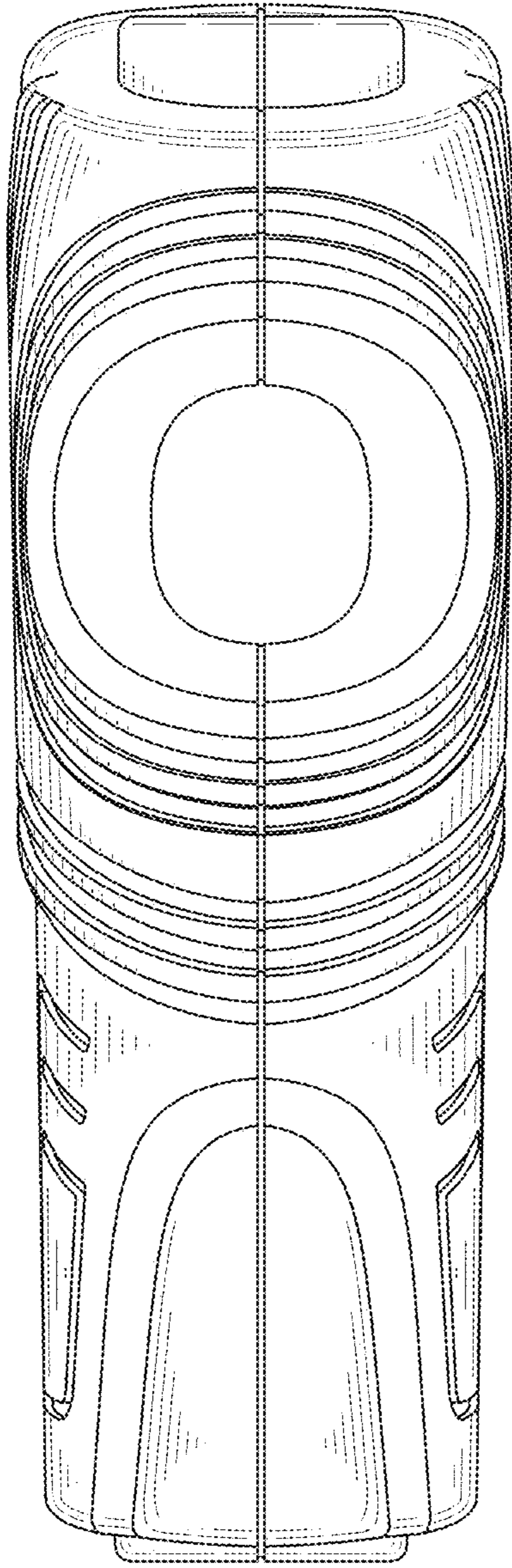


FIG. 6

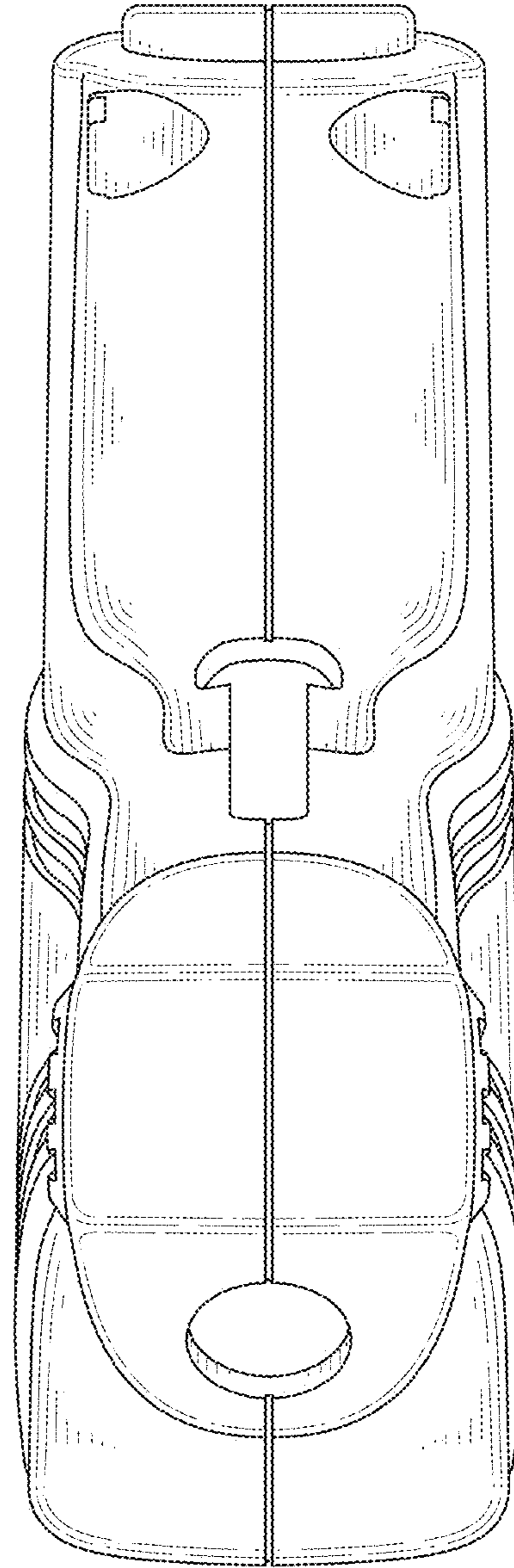


FIG. 7