



US00D915165S

(12) **United States Design Patent** (10) **Patent No.:** **US D915,165 S**  
**Hsieh** (45) **Date of Patent:** **\*\* Apr. 6, 2021**

(54) **SOCKET CLIP**

FOREIGN PATENT DOCUMENTS

(71) Applicant: **Chih-Chien Hsieh**, Taichung (TW)

CN	303823110	*	4/2016	.....	8/5
JP	D1612276	*	1/2018		
KR	300748337.0000	*	2/2014		

(72) Inventor: **Chih-Chien Hsieh**, Taichung (TW)

(\*\*) Term: **15 Years**

OTHER PUBLICATIONS

(21) Appl. No.: **29/718,590**

Mechanic's Time Savers ,Lock-A-Socket Tool Organizer.Magnetic Locking Socket Rack, Date first available Jan. 1, 2008, [online]retrieved Dec. 9, 2020, available from internet, [https://www.amazon.com/Mechanics-Time-Savers-MTSLAS50-Socket/dp/B007DMZV6Q/ref=sr\\_1\\_53?dchild=1&keywords=socket+holder](https://www.amazon.com/Mechanics-Time-Savers-MTSLAS50-Socket/dp/B007DMZV6Q/ref=sr_1_53?dchild=1&keywords=socket+holder) (Year: 2008).\*

(22) Filed: **Dec. 26, 2019**

(51) **LOC (13) Cl.** ..... **08-05**

(Continued)

(52) **U.S. Cl.**

USPC ..... **D8/29**; D8/21; D8/25

(58) **Field of Classification Search**

USPC ..... D8/14-40, 51-56, 23-28; 81/125.1, 81/177.1, 119, 124.7, 124.3, 186, 431, 81/176.15, 461.1, 99, 98, 100, 147, 185.1; 30/193, 252, 254  
CPC ..... B25B 13/14; B25B 13/06; B25B 13/04; B25B 13/46; B25B 13/00; B25B 7/02; B25B 13/48; B25B 13/16; B25B 13/505; B25B 13/5058; B25B 23/0007; B25B 13/28; B25B 23/0035; B25B 13/08; B25B 13/02; B25B 13/50; B25B 7/10; B25B 7/14; B25B 5/147; B25B 5/085; B25B 27/00; B25B 23/142; B25B 23/16; B25B 13/462; B67B 7/00; B67B 7/18; B21K 5/16

See application file for complete search history.

*Primary Examiner* — Keli L Hill

*Assistant Examiner* — Sara S Sahneh

(74) *Attorney, Agent, or Firm* — Egbert Law Offices, PLLC

(57) **CLAIM**

The ornamental design for a socket clip, as shown and described.

**DESCRIPTION**

FIG. 1 is a perspective view of a socket clip showing my new design;  
FIG. 2 is a front view thereof;  
FIG. 3 is a rear view thereof;  
FIG. 4 is a side view thereof;  
FIG. 5 is an opposite side view thereof;  
FIG. 6 is a top plan view thereof;  
FIG. 7 is a bottom plan view thereof; and,  
FIG. 8 is a perspective view of the socket clip shown in use. The broken lines immediately adjacent the shaded area represent the bounds of the claimed design while all other broken lines are included for the purpose of illustrating portions of the socket clip, the broken lines form no part of the claimed design. The broken lines in FIG. 8 are for the purpose of illustrating environmental structure of the socket clip, the broken lines form no part of the claimed design.

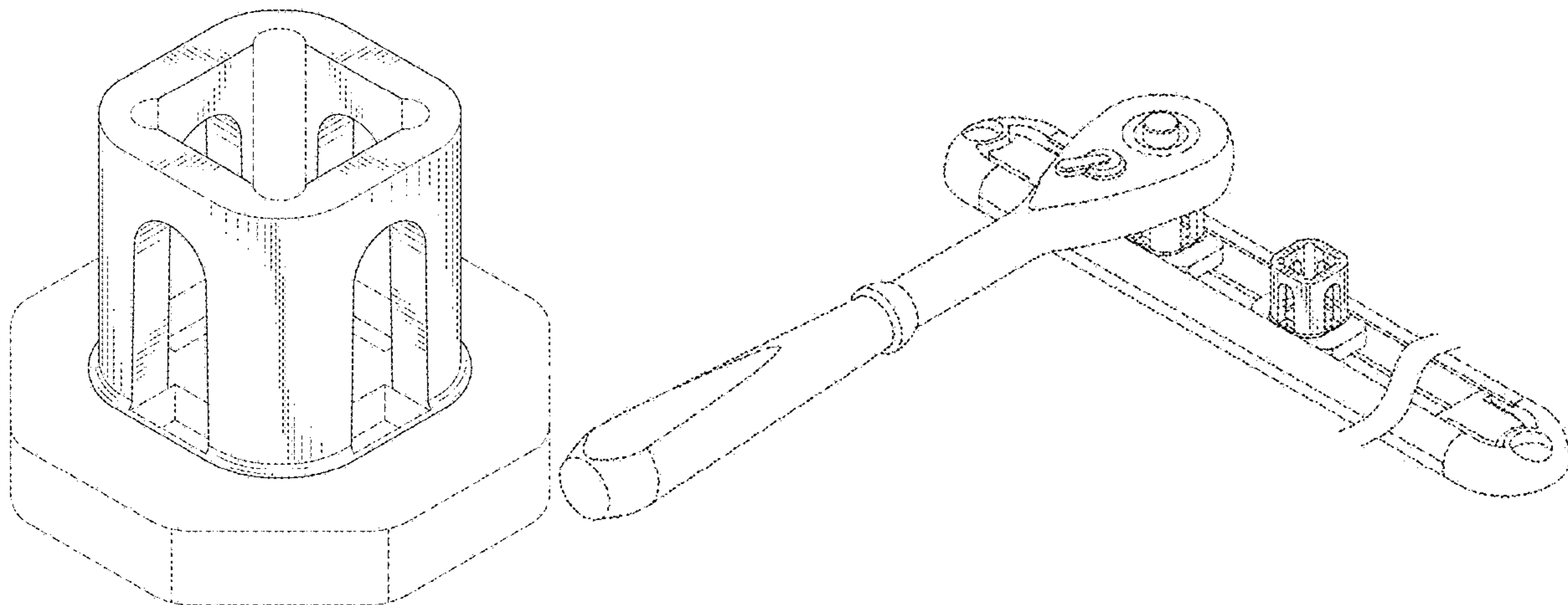
(56) **References Cited**

U.S. PATENT DOCUMENTS

D359,667 S	*	6/1995	Gramling	.....	D8/21
D398,493 S	*	9/1998	Jones	.....	D8/21
D466,766 S	*	12/2002	Marty	.....	D8/21
D492,171 S	*	6/2004	Risolio	.....	D8/21
D500,243 S	*	12/2004	Turek	.....	D8/354
D517,900 S	*	3/2006	Goldenberg	.....	D8/354

(Continued)

**1 Claim, 8 Drawing Sheets**



(56)

**References Cited**

U.S. PATENT DOCUMENTS

D823,082 S \* 7/2018 McCutchen ..... D8/21  
 D826,664 S \* 8/2018 Matsubara ..... D8/20  
 D873,221 S \* 1/2020 Thakare ..... D13/154  
 D884,928 S \* 5/2020 Gordon ..... D25/133  
 D899,903 S \* 10/2020 Barnes ..... D8/354  
 2015/0251887 A1 \* 9/2015 Glaser ..... B65D 43/26  
 220/284  
 2020/0298377 A1 \* 9/2020 Wilson ..... B25B 13/065

OTHER PUBLICATIONS

Ares Store, 60051-24-Piece 1/2-inch Drive Socket Clip Set—Black Spring Loaded Ball Bearing Socket Clips, Date first available Jun. 13, 2018, [online]retrieved Dec. 9, 2020, available from internet, [https://www.amazon.com/dp/B085PXX9LM/ref=sspa\\_dk\\_detail\\_2psc=1&pd\\_rd\\_i=B085PXX9LM&pd\\_rd\\_w](https://www.amazon.com/dp/B085PXX9LM/ref=sspa_dk_detail_2psc=1&pd_rd_i=B085PXX9LM&pd_rd_w) (Year: 2018).\*

Ares Store, 70750-34-Piece Magnetic Socket Accessory Holder—Powerful Magnets Hold Adapters, Date first available May 25, 2018, [online]retrieved Dec. 9, 2020, available from internet, [https://www.amazon.com/ARES-34-Piece-Magnetic-Accessory-Universal/dp/B07D9VGY55/ref=pd\\_di\\_scai\\_40?\\_encoding](https://www.amazon.com/ARES-34-Piece-Magnetic-Accessory-Universal/dp/B07D9VGY55/ref=pd_di_scai_40?_encoding) (Year: 2018).\*

\* cited by examiner

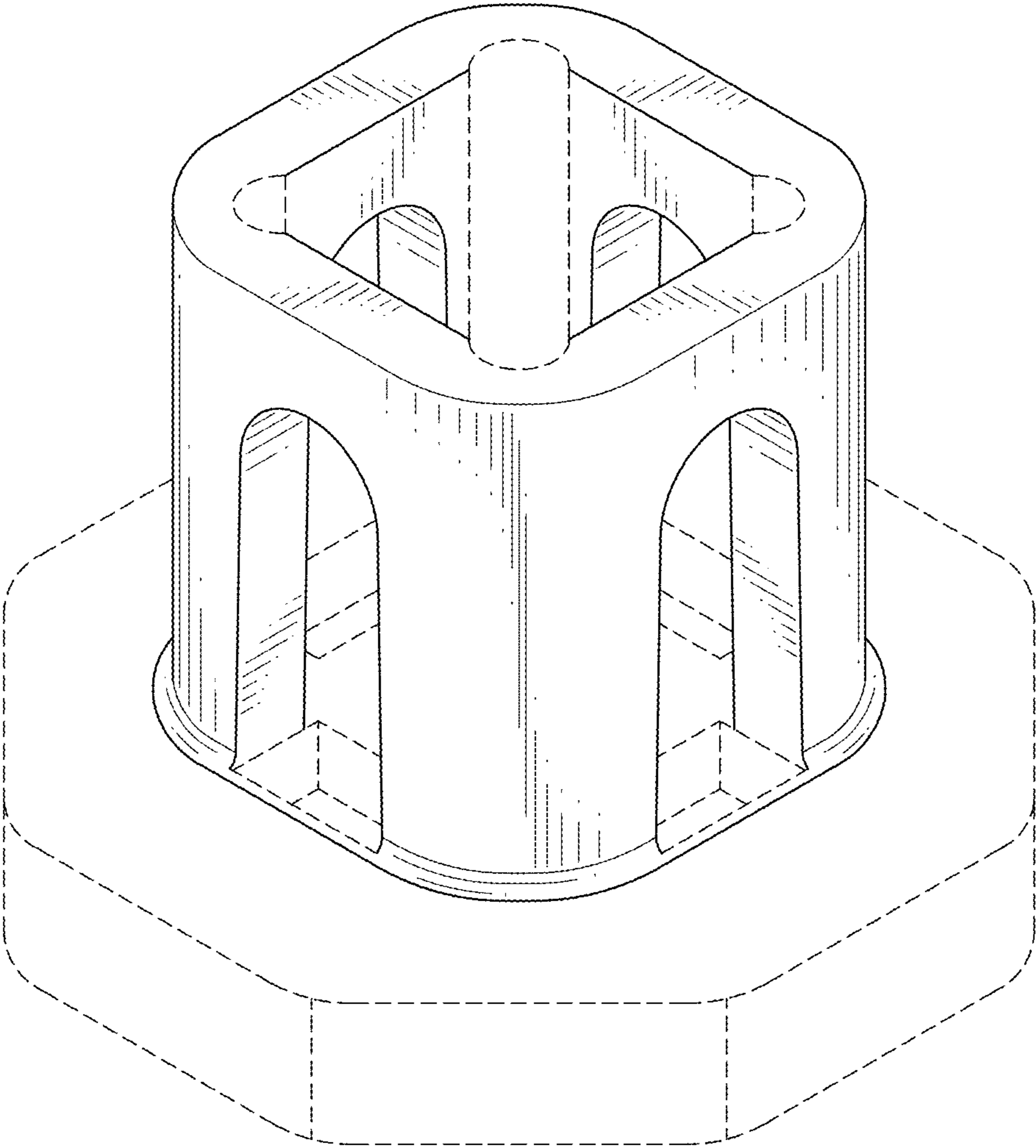


FIG. 1

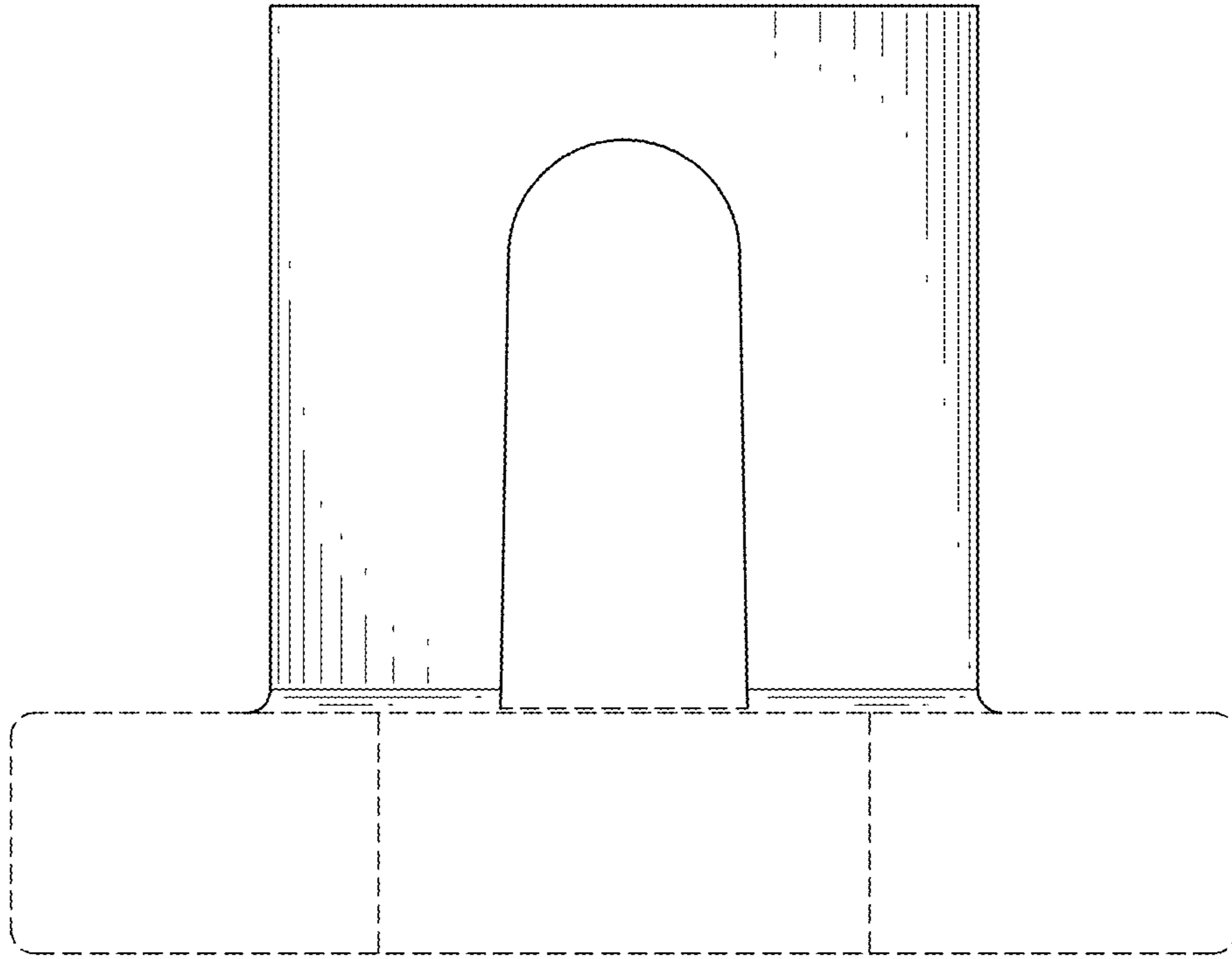


FIG. 2

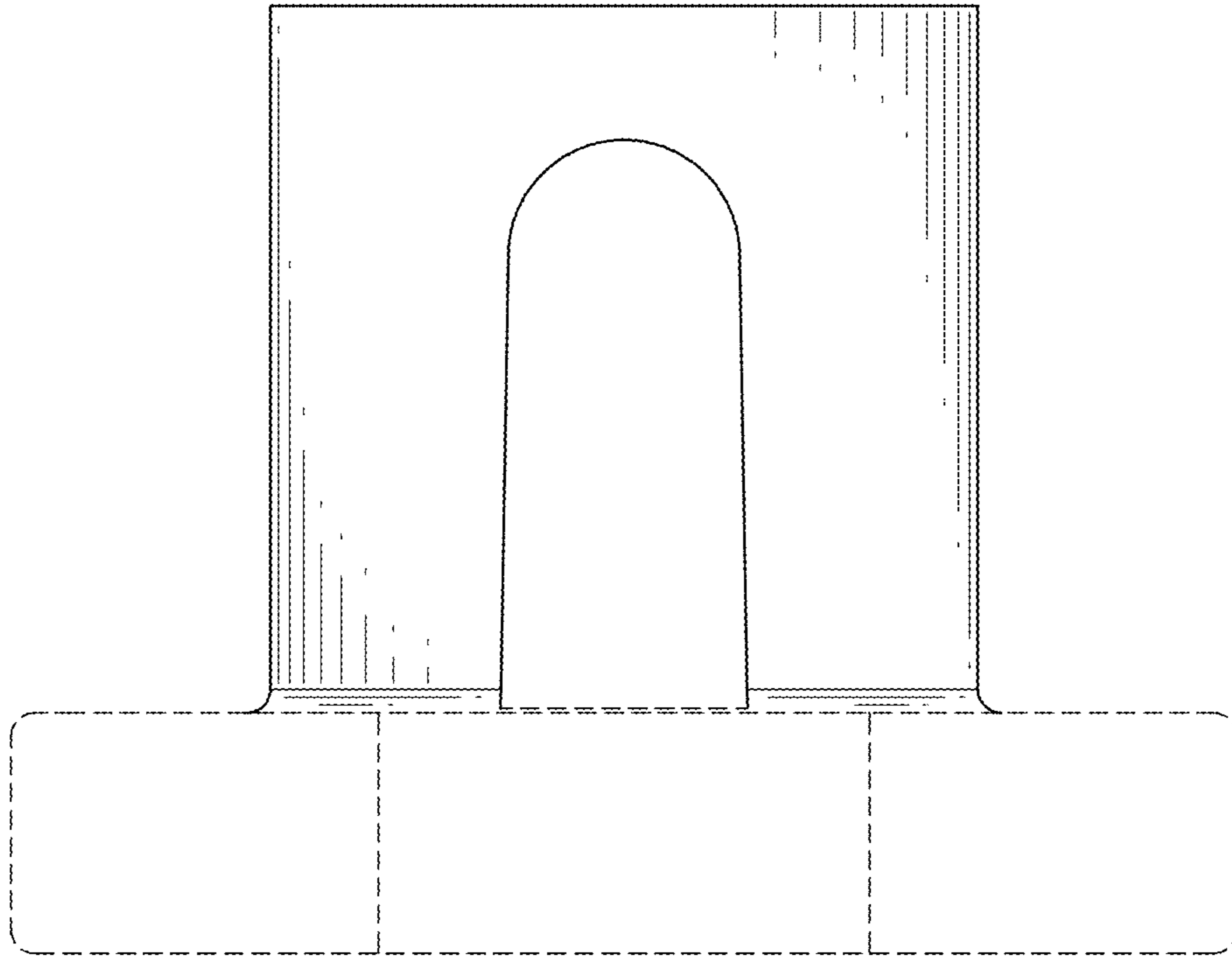


FIG. 3

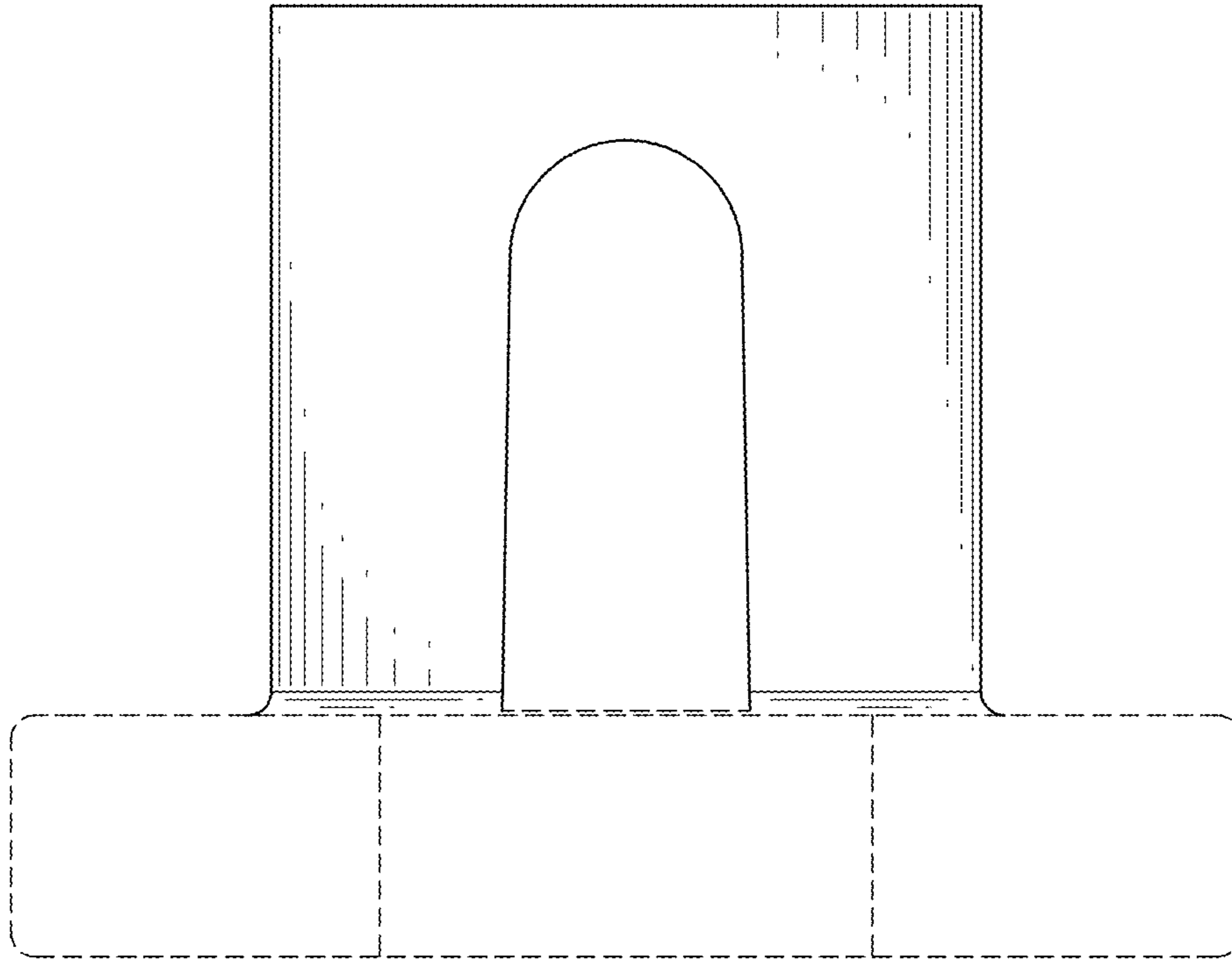


FIG. 4

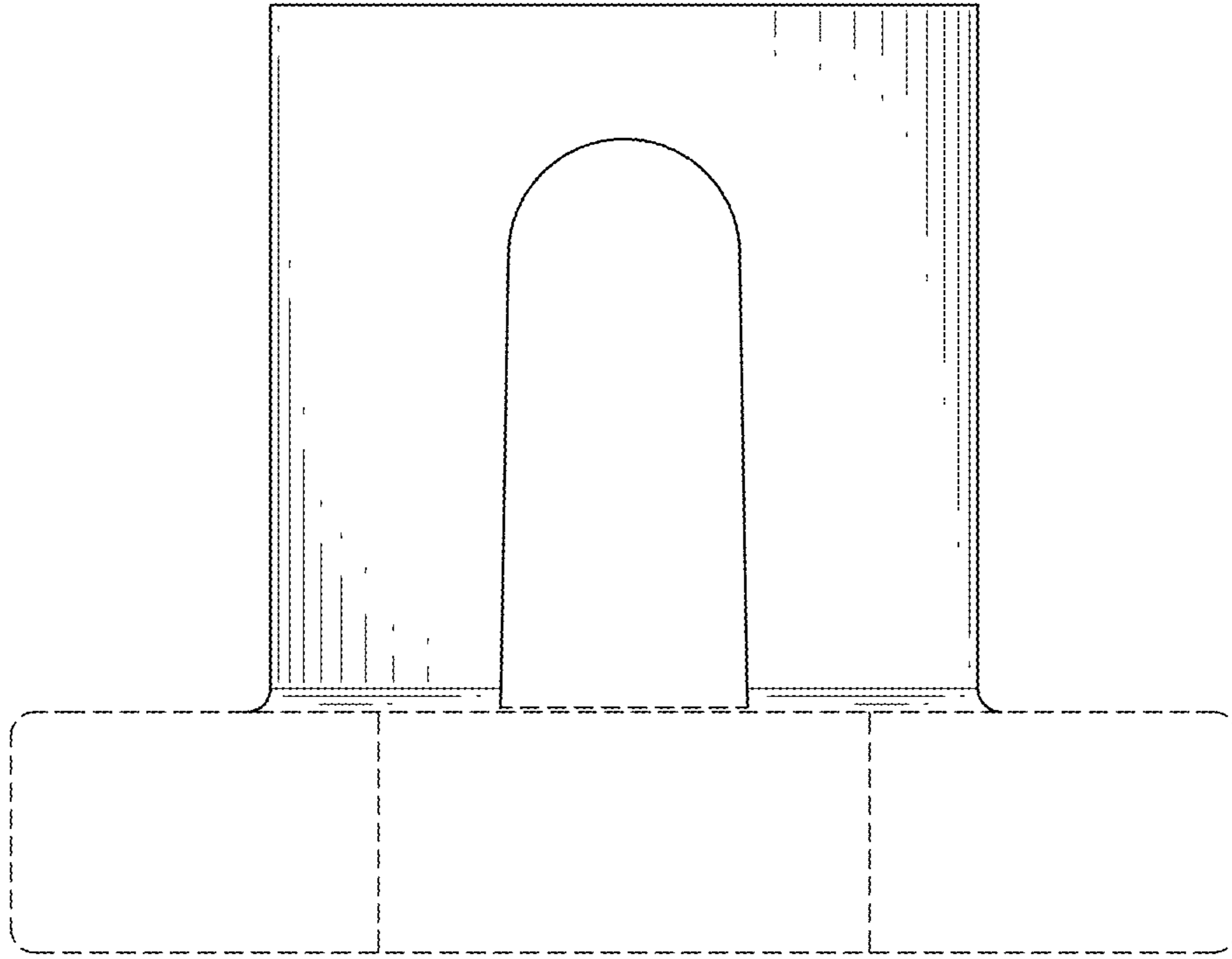


FIG. 5

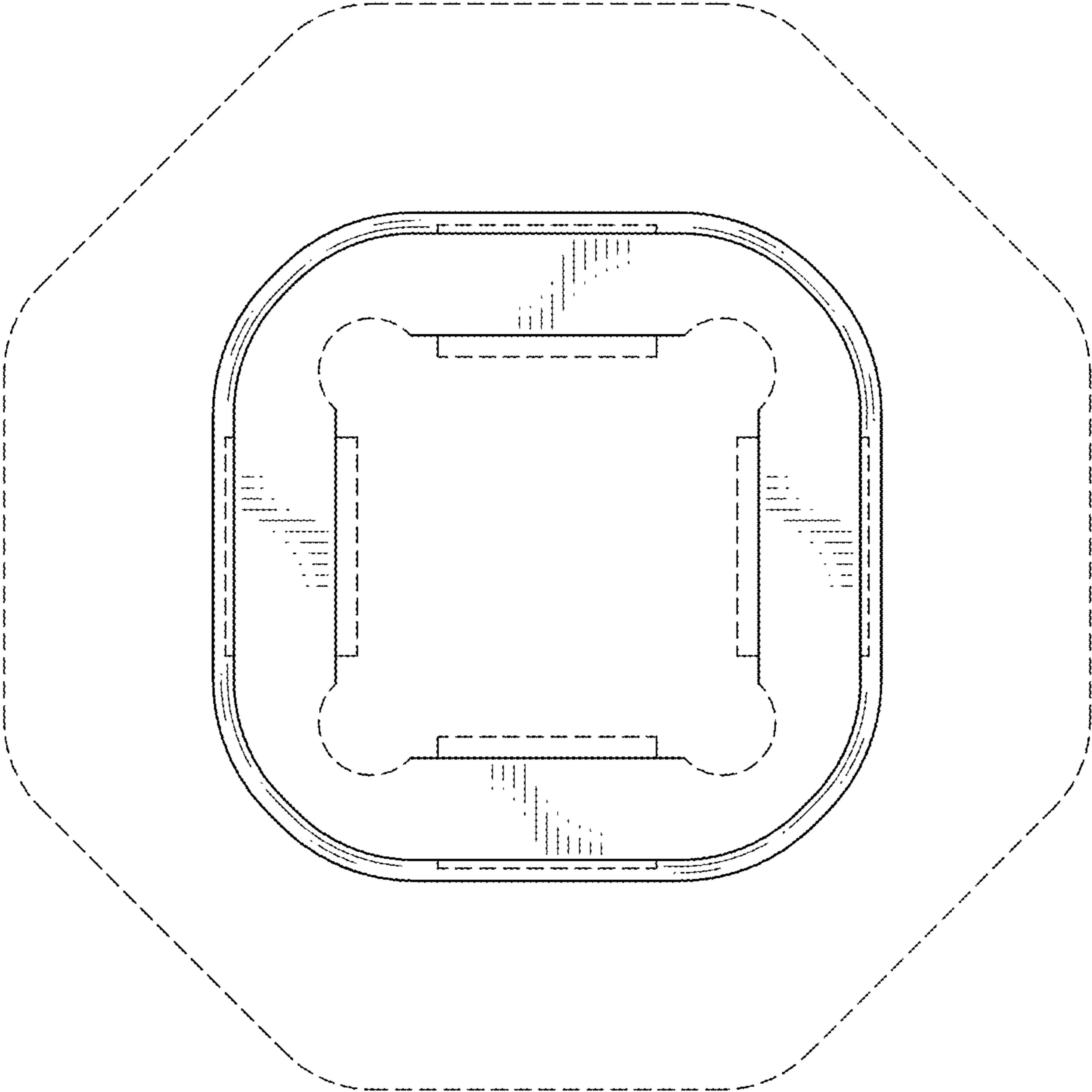


FIG. 6



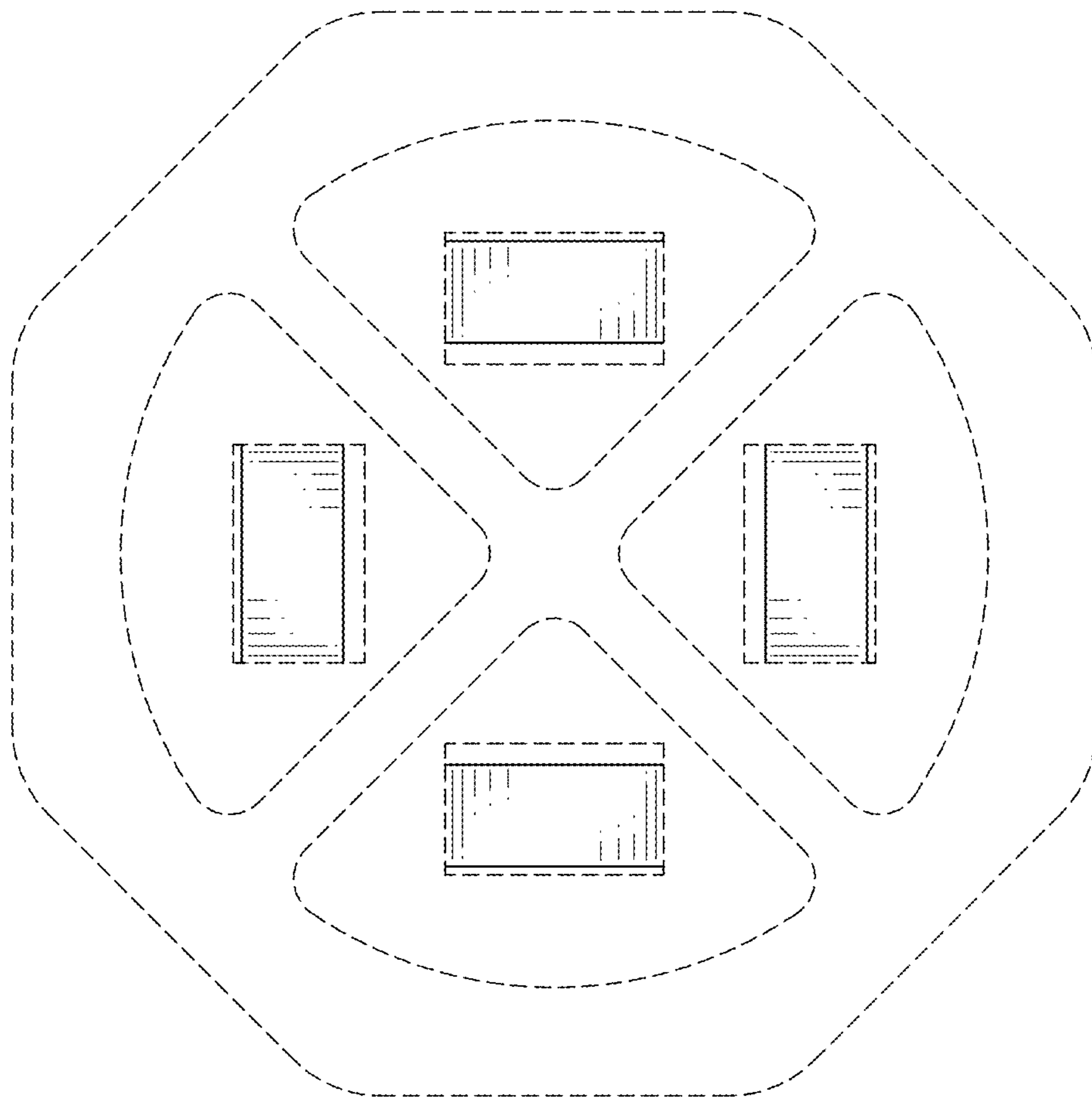


FIG. 7

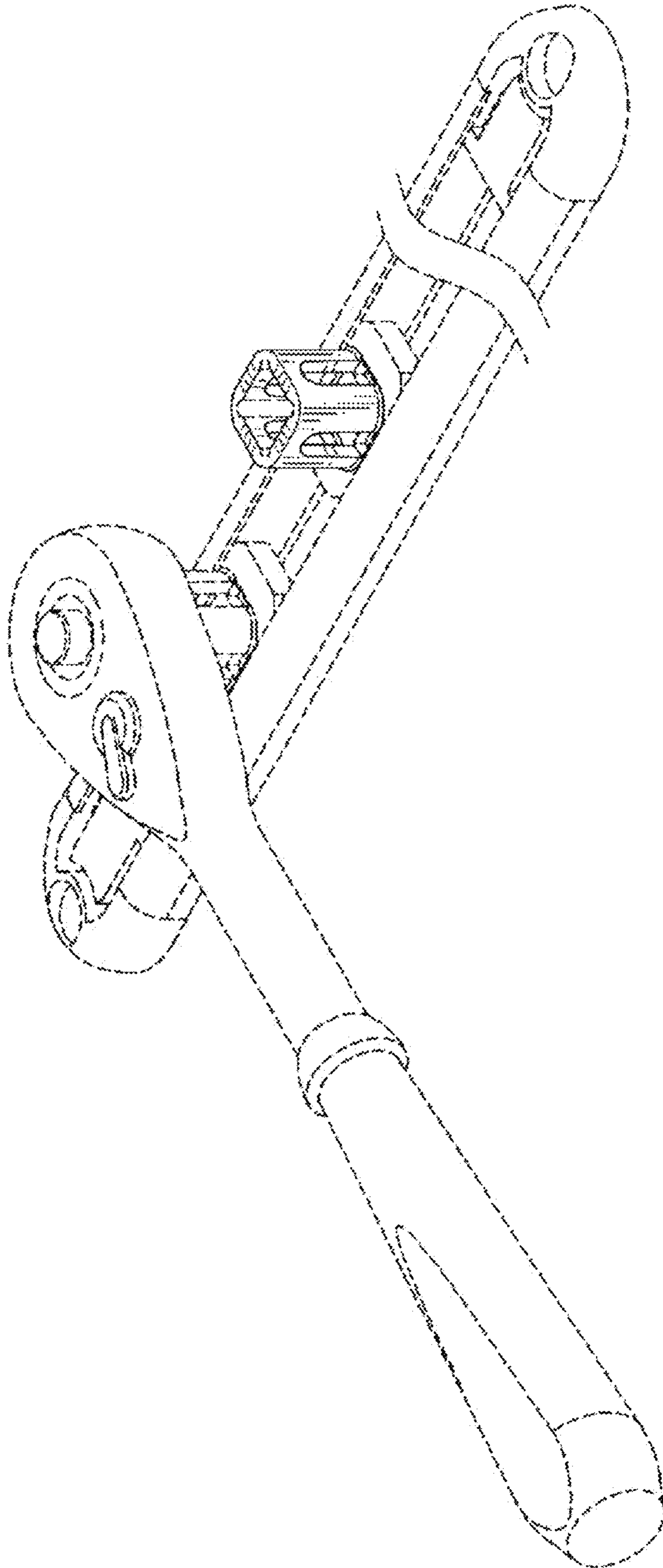


FIG. 8