



US00D915164S

(12) **United States Design Patent** (10) **Patent No.:** **US D915,164 S**
Tilly (45) **Date of Patent:** **** Apr. 6, 2021**

(54) **TOOL HANDLE FOR A TORQUE WRENCH**

(71) Applicant: **SW-Stahl GmbH**, Remscheid (DE)

(72) Inventor: **Heinrich Tilly**, Brilon (DE)

(73) Assignee: **SW-Stahl GmbH**, Remscheid (DE)

(**) Term: **15 Years**

(21) Appl. No.: **29/714,523**

(22) Filed: **Nov. 24, 2019**

(30) **Foreign Application Priority Data**

Jul. 3, 2019 (EM) 006612651-0001

(51) **LOC (13) Cl.** **08-05**

(52) **U.S. Cl.**
USPC **D8/24**

(58) **Field of Classification Search**
USPC D8/21, 22, 23, 24, 25, 26, 27, 28, 107,
D8/82, 83, 84, 85
CPC B25B 23/1415; B25B 23/142; B25B
23/1422; B25B 23/1427; B25B 23/145
See application file for complete search history.

(56) **References Cited**

U.S. PATENT DOCUMENTS

- 7,044,036 B1 * 5/2006 Salazar B25B 23/1427
81/478
- 7,047,849 B2 * 5/2006 Lai B25B 23/1425
73/862.23
- D528,881 S * 9/2006 Takenouchi D8/24
- D586,193 S * 2/2009 Escoe D8/24
- 7,631,583 B2 * 12/2009 Hsieh B25B 23/1425
81/467
- 7,765,900 B2 * 8/2010 Wu B25B 23/1427
81/467
- D699,531 S * 2/2014 Olson D8/24
- D702,519 S * 4/2014 Lee D8/24

- D719,801 S * 12/2014 Theissen D8/24
- D743,762 S * 11/2015 Theissen D8/24
- D760,046 S * 6/2016 Caglar D8/25
- D833,841 S * 11/2018 Tsai D8/24
- D871,870 S * 1/2020 Owen D8/24
- D873,638 S * 1/2020 Beckwith D8/24
- 2010/0275742 A1 * 11/2010 Chen B25B 23/1427
81/467
- 2011/0113936 A1 * 5/2011 Chiang B25B 23/1427
81/483
- 2012/0048073 A1 * 3/2012 Wu B25B 23/1427
81/478
- 2014/0202292 A1 * 7/2014 Chen B25B 23/1427
81/478
- 2015/0239109 A1 * 8/2015 Hsieh B25B 23/1427
81/478
- 2017/0095911 A1 * 4/2017 Hsieh B25B 23/1427
(Continued)

Primary Examiner — Philip S Hyder

(74) Attorney, Agent, or Firm — Michael Soderman

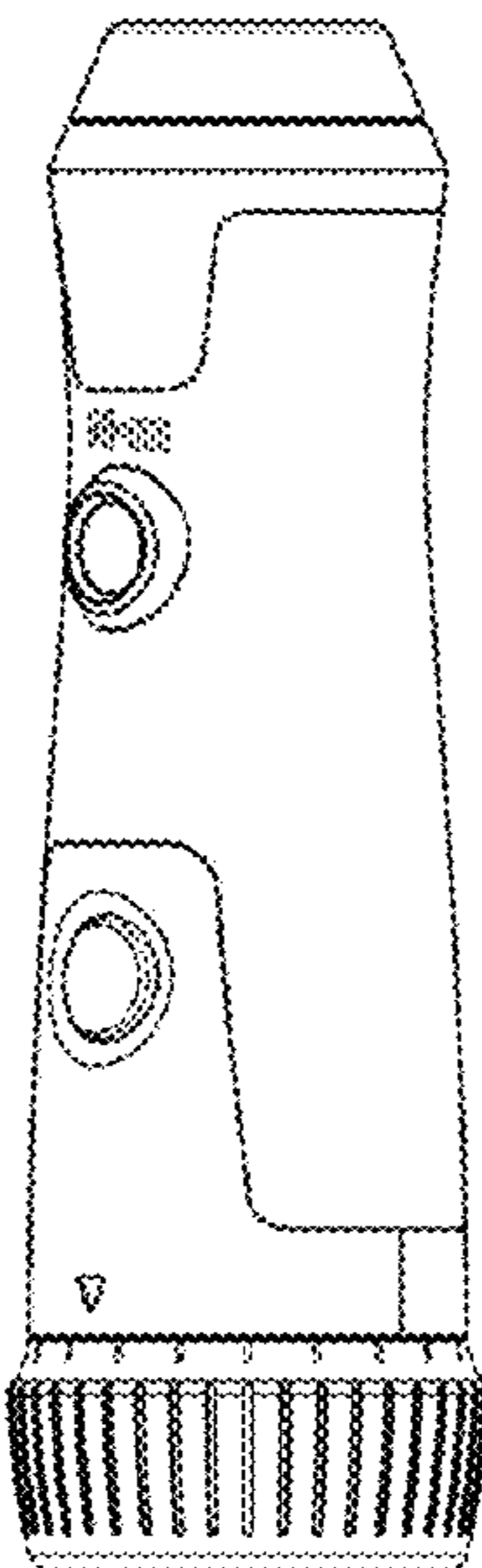
(57) **CLAIM**

The ornamental design for a tool handle for a torque wrench, as shown.

DESCRIPTION

FIG. 1 is a first side view of a tool handle for a torque wrench showing the new design;
 FIG. 2 is a second side view, rotated 180° from the first side view, thereof;
 FIG. 3 is a top plan view thereof;
 FIG. 4 is a bottom view thereof;
 FIG. 5 is a third side view, rotated 90° in a clockwise fashion from the top from the first side view, thereof;
 FIG. 6 is a fourth side view, opposite the third side view and rotated 90° in a counterclockwise fashion from the top from the first side view, thereof; and,
 FIG. 7 is a perspective view of the first and third sides thereof.

1 Claim, 7 Drawing Sheets



(56)

References Cited

U.S. PATENT DOCUMENTS

2018/0050442 A1* 2/2018 Ballsieper B25G 3/12
2019/0072269 A1* 3/2019 Lin. B25B 13/463

* cited by examiner

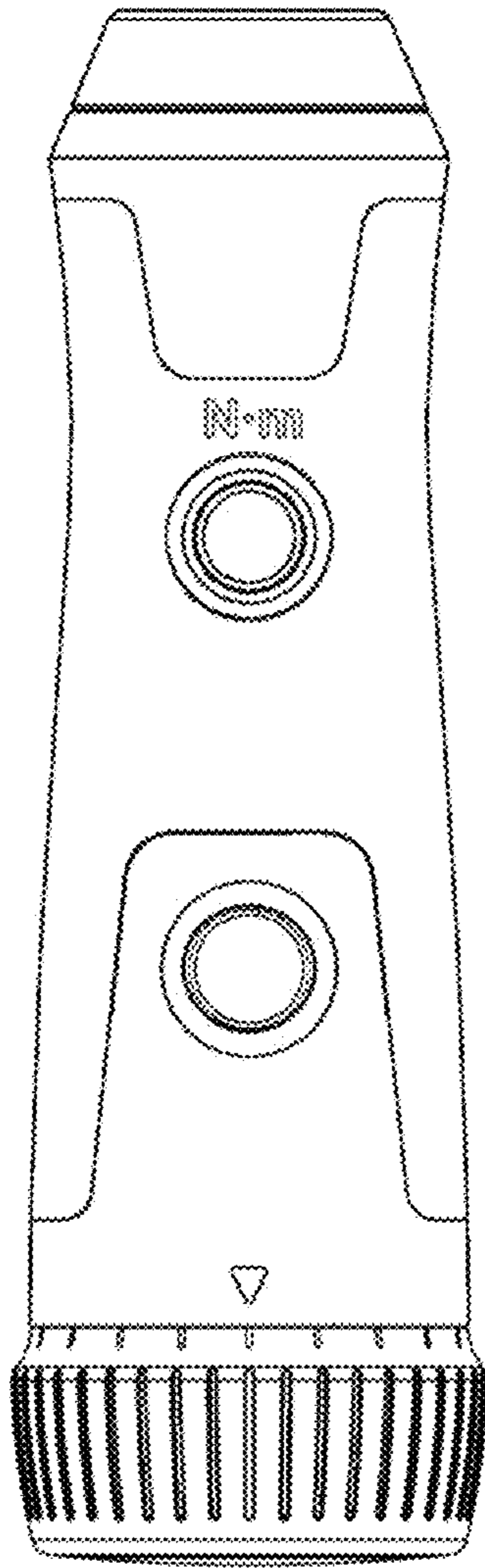


Fig. 1

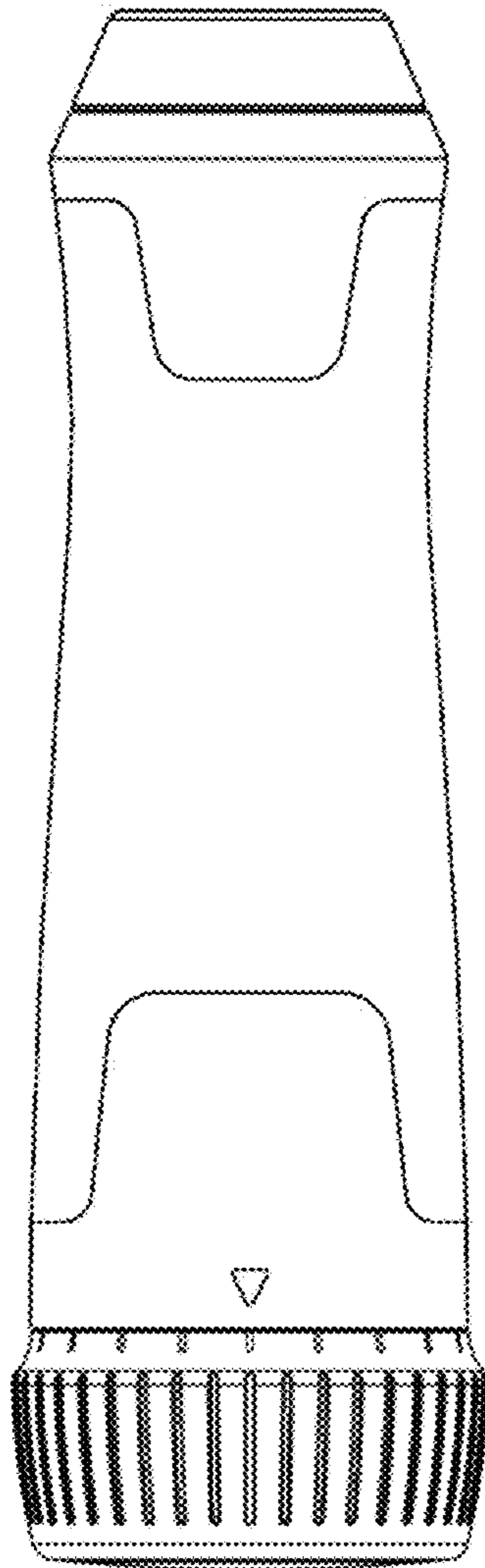


Fig. 2

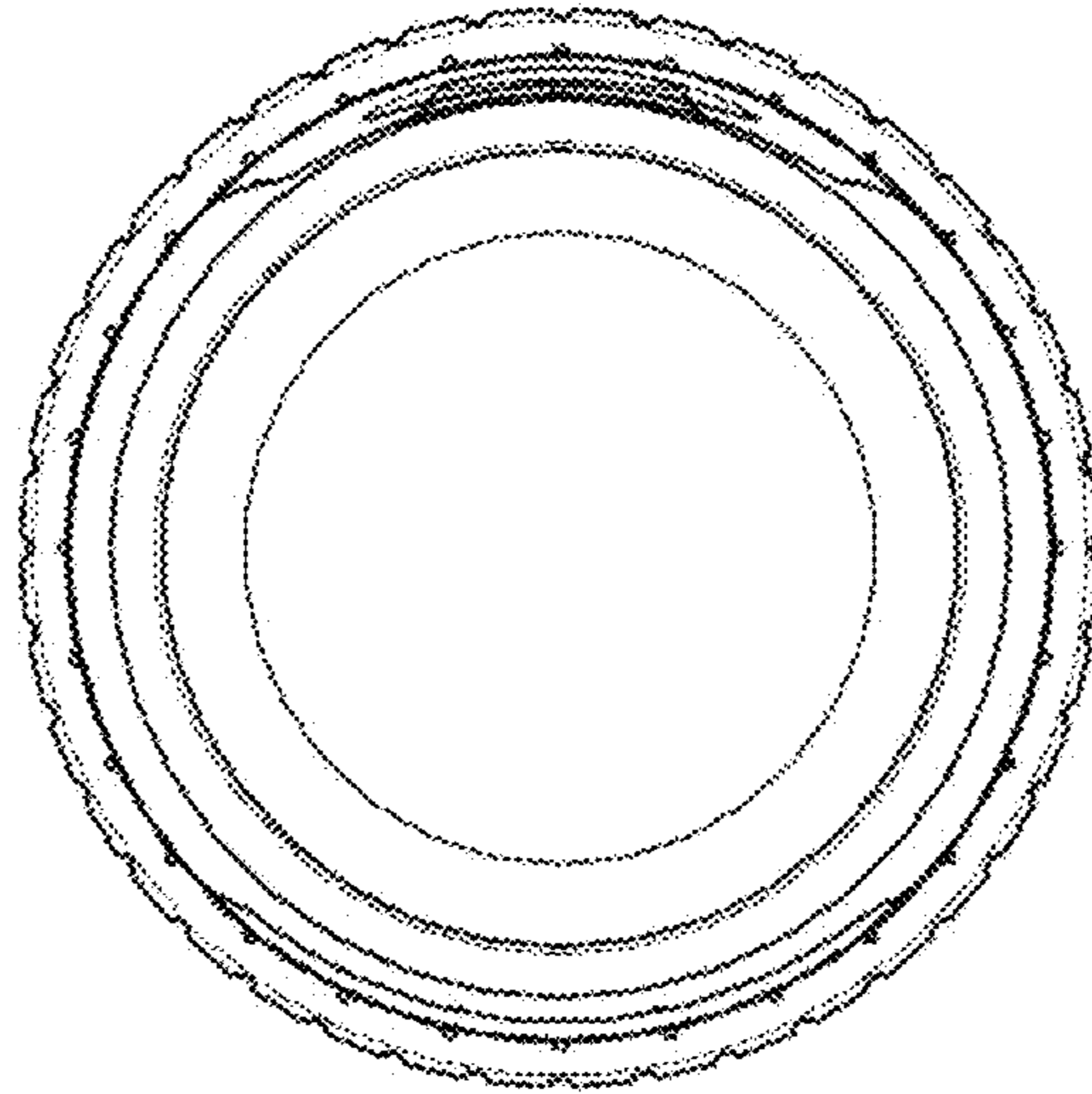


Fig. 3

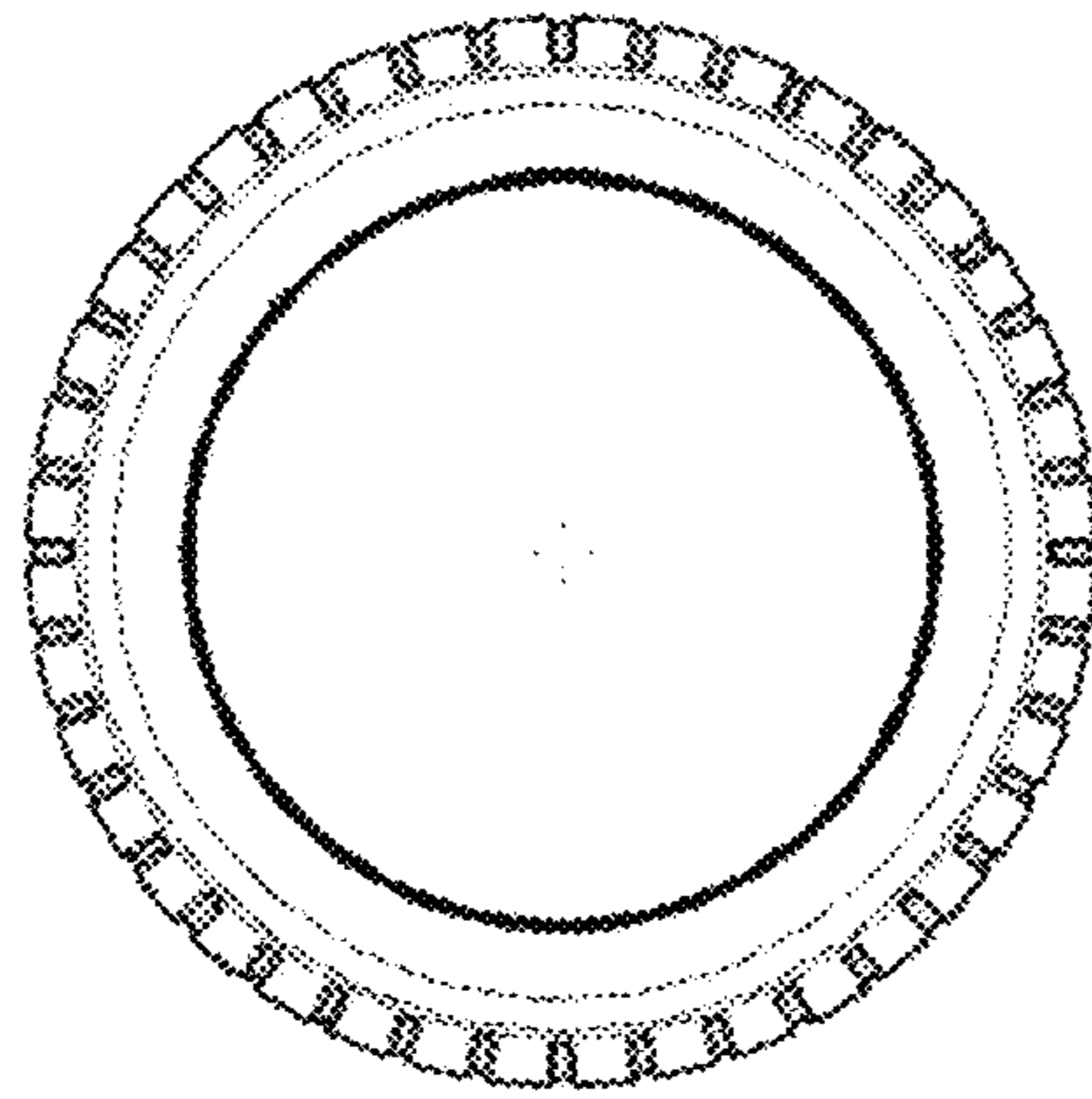


Fig. 4

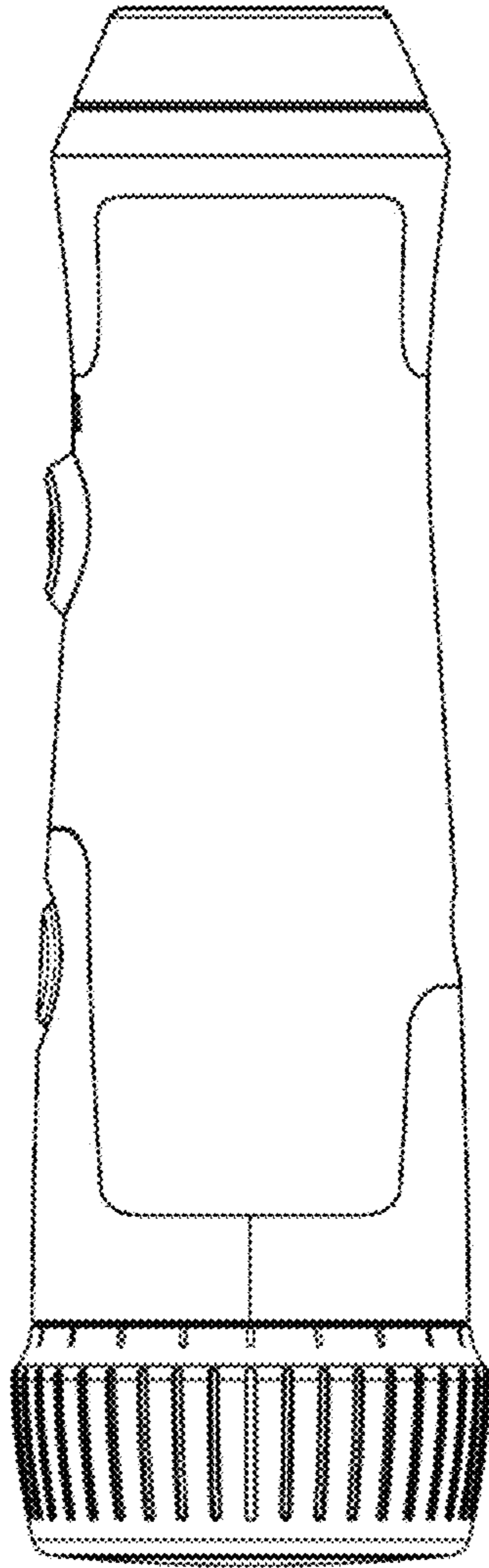


Fig. 5

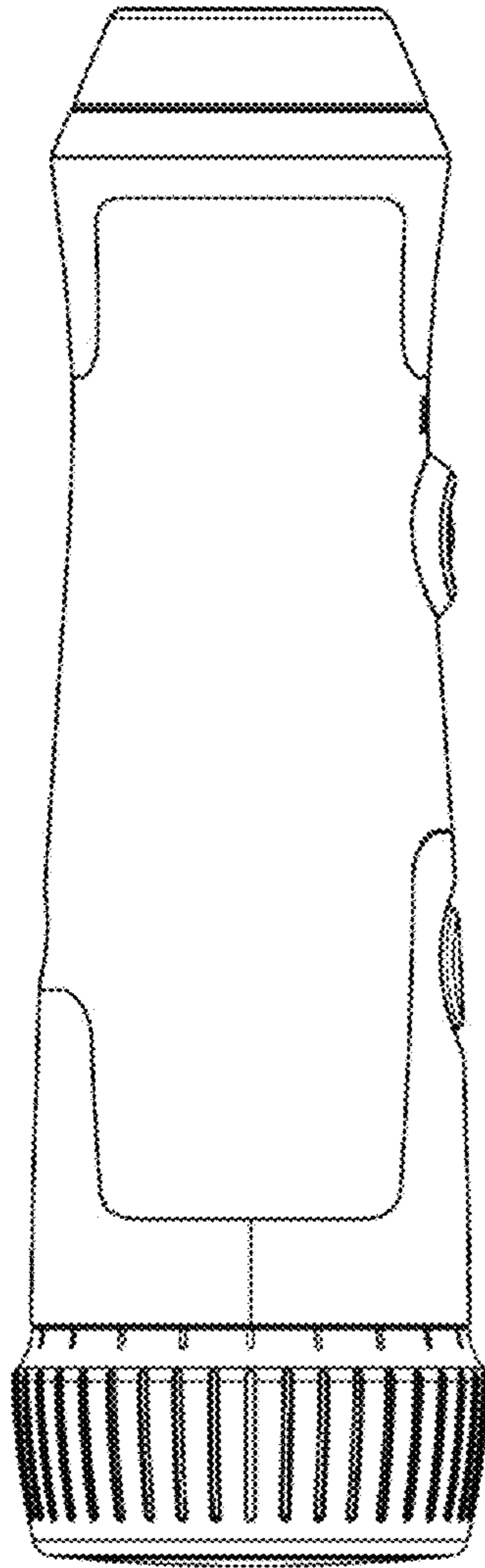


Fig. 6

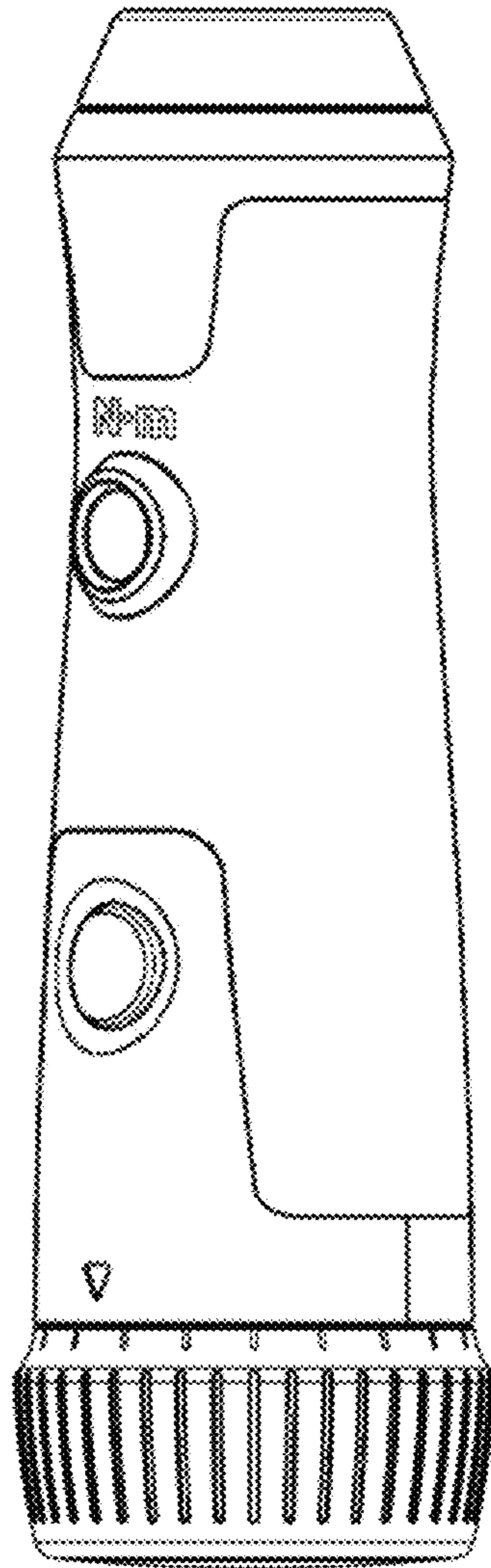


Fig. 7