



US00D915163S

(12) **United States Design Patent**
Reynolds

(10) **Patent No.:** **US D915,163 S**

(45) **Date of Patent:** **** Apr. 6, 2021**

- (54) **STAPLE PUNCH**
- (71) Applicant: **James Reynolds**, Plymouth, MA (US)
- (72) Inventor: **James Reynolds**, Plymouth, MA (US)
- (**) Term: **15 Years**
- (21) Appl. No.: **29/752,238**
- (22) Filed: **Sep. 25, 2020**
- (51) **LOC (13) Cl.** **08-05**
- (52) **U.S. Cl.**
USPC **D8/14**
- (58) **Field of Classification Search**
USPC D8/14, 51, 61, 107, 382; D13/133, 137.1
CPC B25C 1/02; A61B 17/92; A61B 17/10
See application file for complete search history.

- 6,205,602 B1 * 3/2001 Dettweiler B25C 1/02
227/147
- D442,450 S * 5/2001 Larson D22/115
- 6,402,007 B1 * 6/2002 Dyer B25C 1/02
227/113
- 7,303,027 B1 * 12/2007 Laemmer B25D 1/04
173/132
- 7,509,721 B1 * 3/2009 Liang A41H 37/005
29/243.5
- D642,548 S * 8/2011 Bowen, III D13/183
- 8,327,516 B2 * 12/2012 Kliskey B60C 25/18
29/275
- D727,126 S * 4/2015 Robinson D8/51
- D748,101 S * 1/2016 Bang G06F 3/04817
D14/485
- 10,709,448 B2 7/2020 Brodaczewski et al.
(Continued)

(56) **References Cited**

U.S. PATENT DOCUMENTS

- 913,014 A 2/1909 Kafer
- 1,087,092 A 2/1914 Stingle
- 2,330,575 A 9/1943 Grauding
- 2,624,879 A * 1/1953 Baird B25C 1/02
227/147
- 4,299,021 A * 11/1981 Williams B25C 1/02
227/113
- 4,415,111 A 11/1983 McHarrie et al.
- 4,461,418 A * 7/1984 Schaefer B25C 1/02
227/147
- 4,562,948 A * 1/1986 Floyd B25C 1/02
227/113
- 4,676,424 A * 6/1987 Meador B25C 1/02
227/147
- 4,903,882 A 2/1990 Long
- 5,117,772 A * 6/1992 Horton D05C 15/06
112/80.05
- 5,181,644 A * 1/1993 Ferrell B25C 1/02
227/147
- D363,199 S * 10/1995 Domagala D8/51
- D374,802 S * 10/1996 Spierer D8/51

FOREIGN PATENT DOCUMENTS

GB 2453747 A 4/2009

Primary Examiner — Philip S Hyder

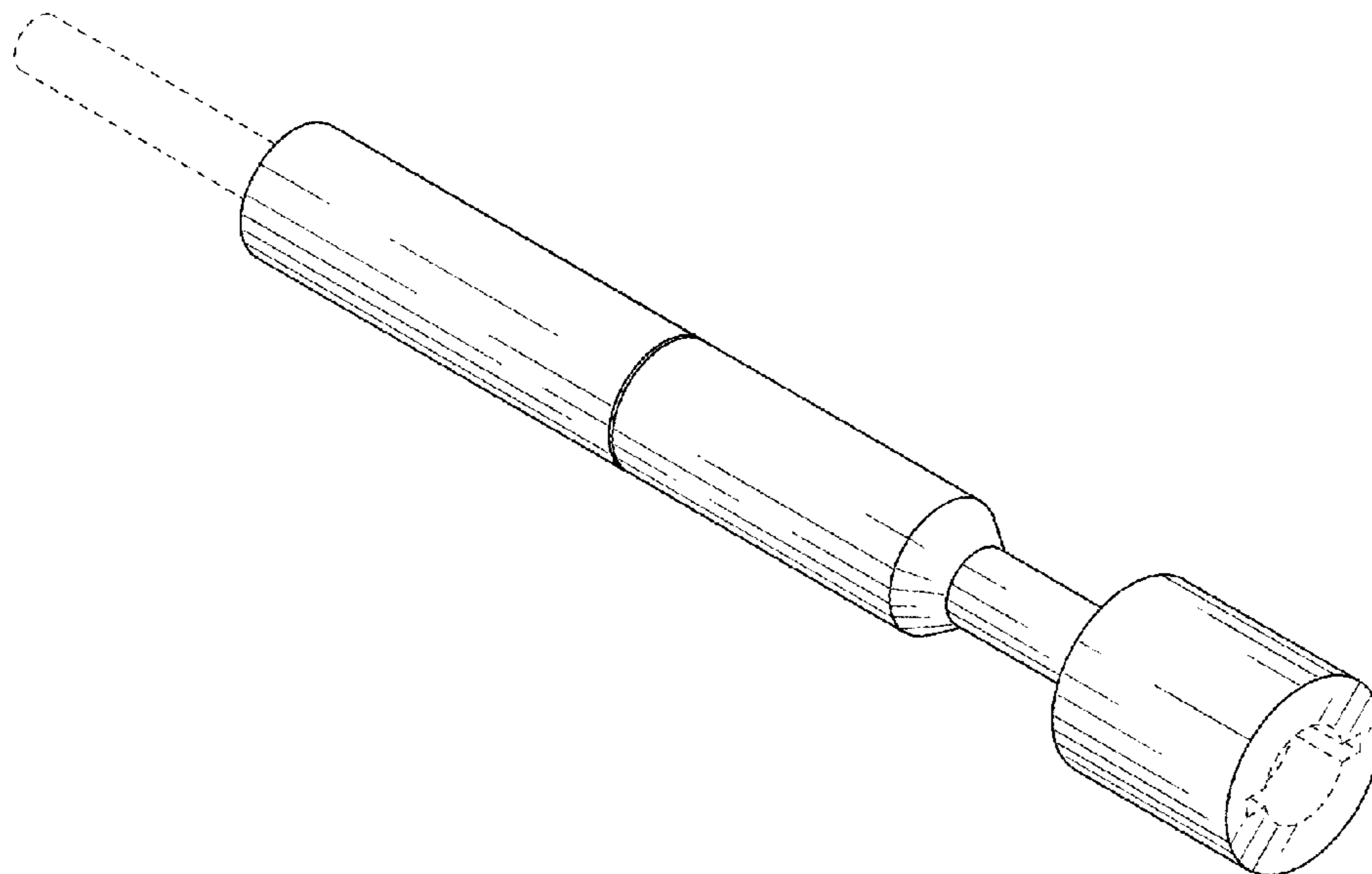
(57) **CLAIM**

The ornamental design for a staple punch, as shown and described.

DESCRIPTION

FIG. 1 is a front-top perspective view of a staple punch showing my new design;
 FIG. 2 is a front-bottom perspective view thereof;
 FIG. 3 is a rear-top perspective view thereof;
 FIG. 4 is a rear-bottom perspective view thereof;
 FIG. 5 is an enlarged rear elevational view thereof;
 FIG. 6 is an enlarged front elevational view thereof; and,
 FIG. 7 is a top plan view thereof where the bottom, left, and right views are identical thereto.
 The broken lines shown in the drawings illustrate portions of the staple punch in which the design is embodied that form no part of claimed design.

1 Claim, 7 Drawing Sheets



(56)

References Cited

U.S. PATENT DOCUMENTS

D904,613	S	12/2020	Wynn et al.	
10,874,899	B2	12/2020	Innocenzi	
10,882,173	B2	1/2021	Shimizu et al.	
10,888,318	B2	1/2021	Parihar et al.	
2016/0066973	A1 *	3/2016	Borries	A61B 17/92 606/100

* cited by examiner

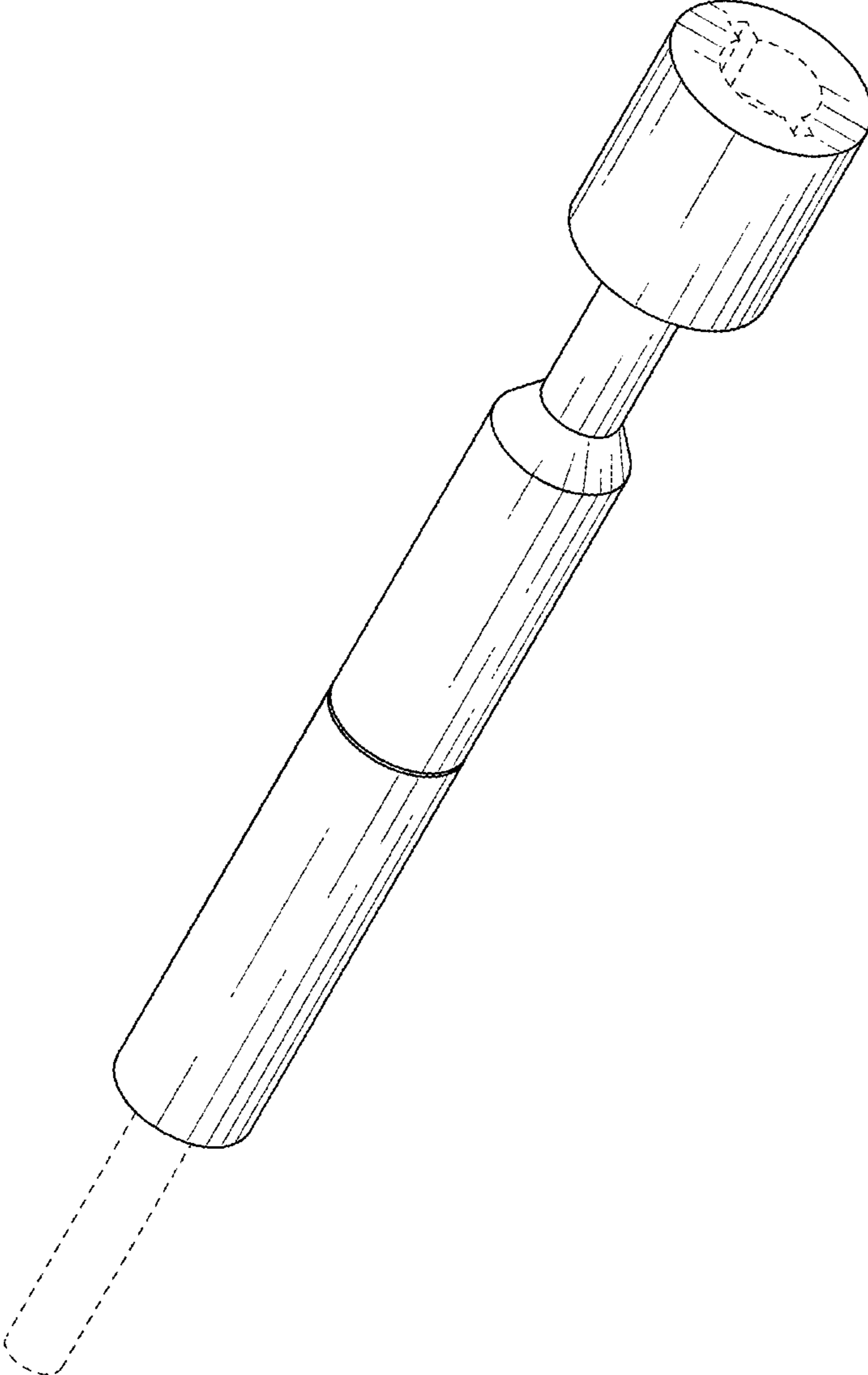


FIG. 1

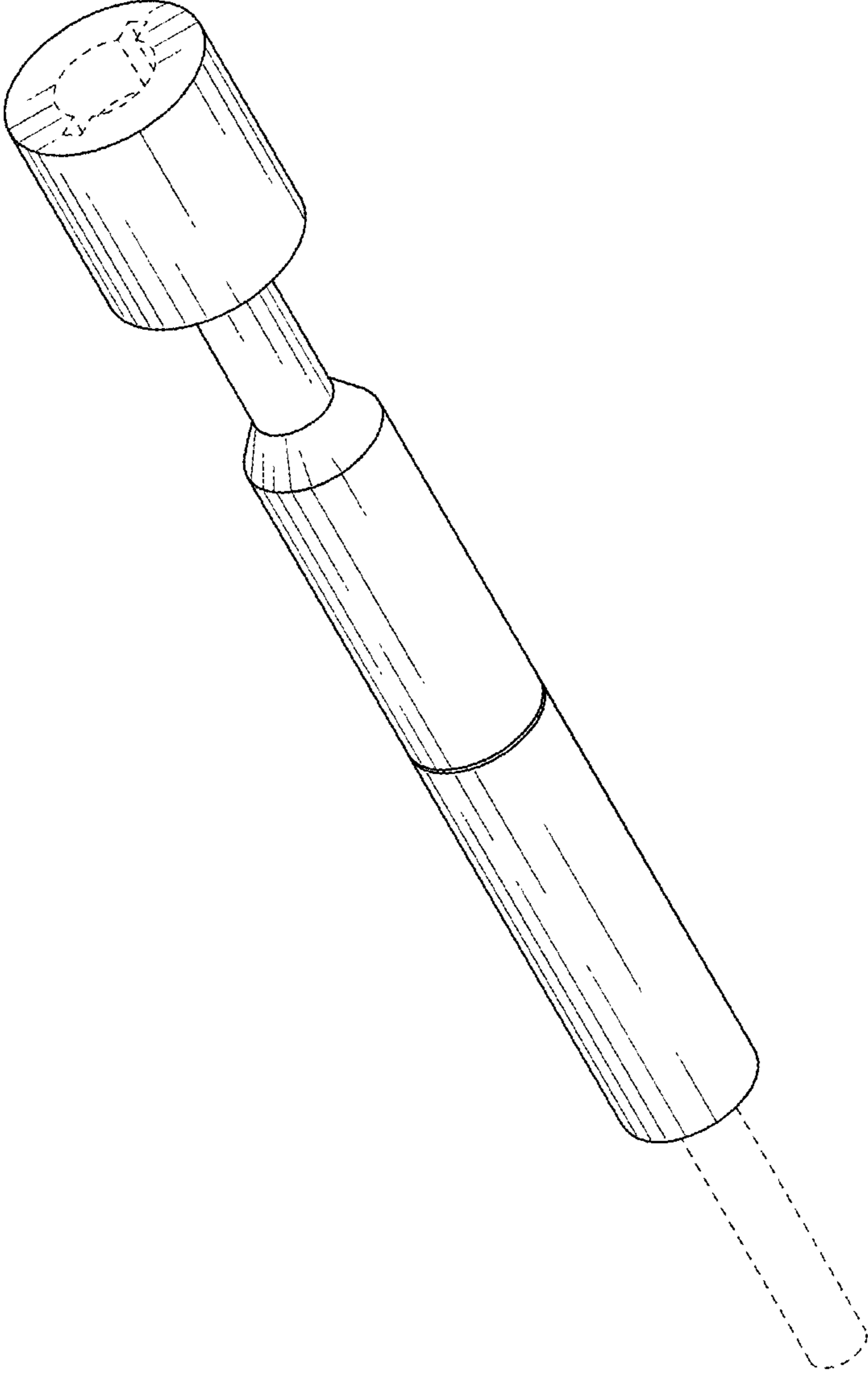


FIG. 2

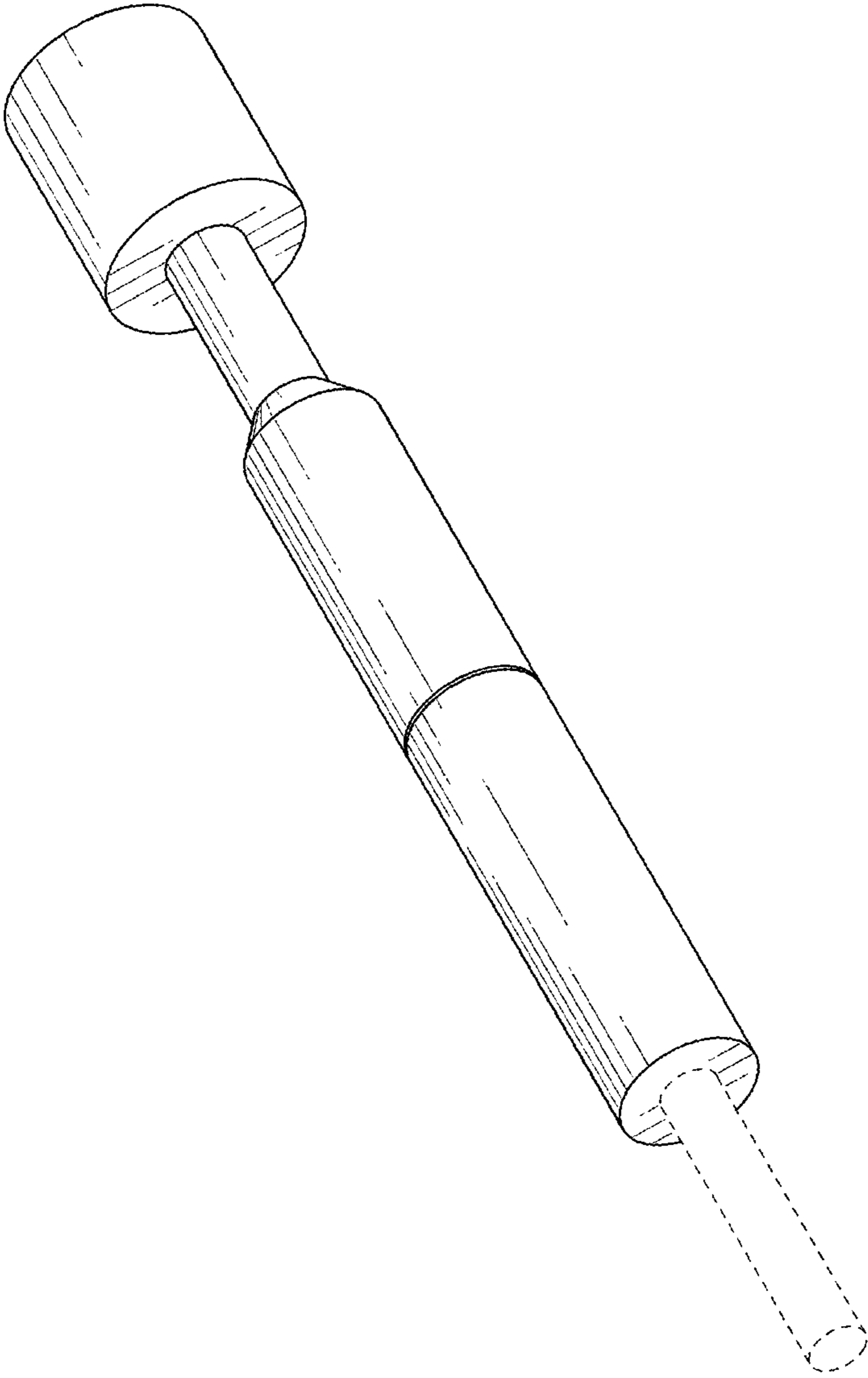


FIG. 3

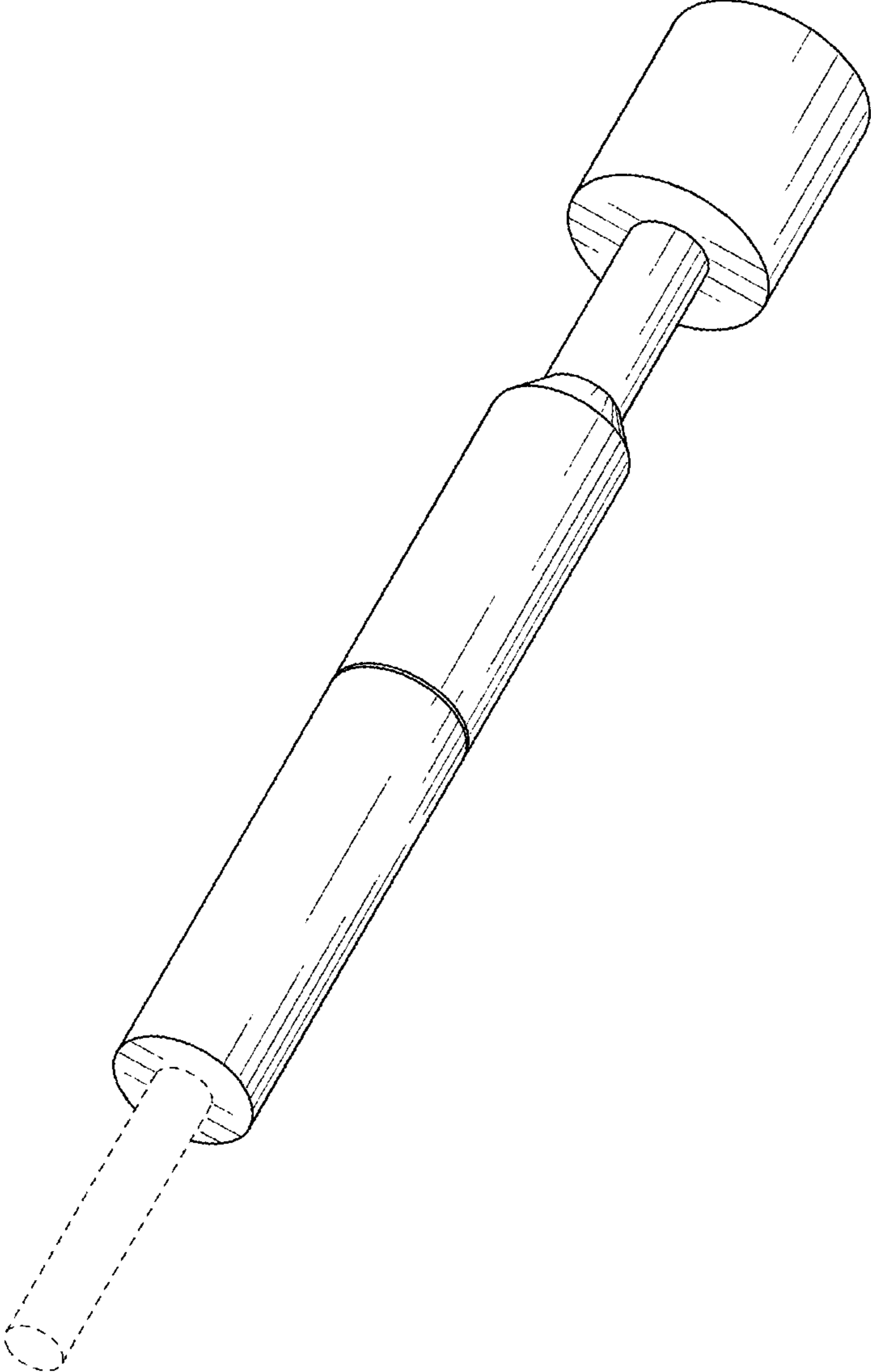


FIG. 4

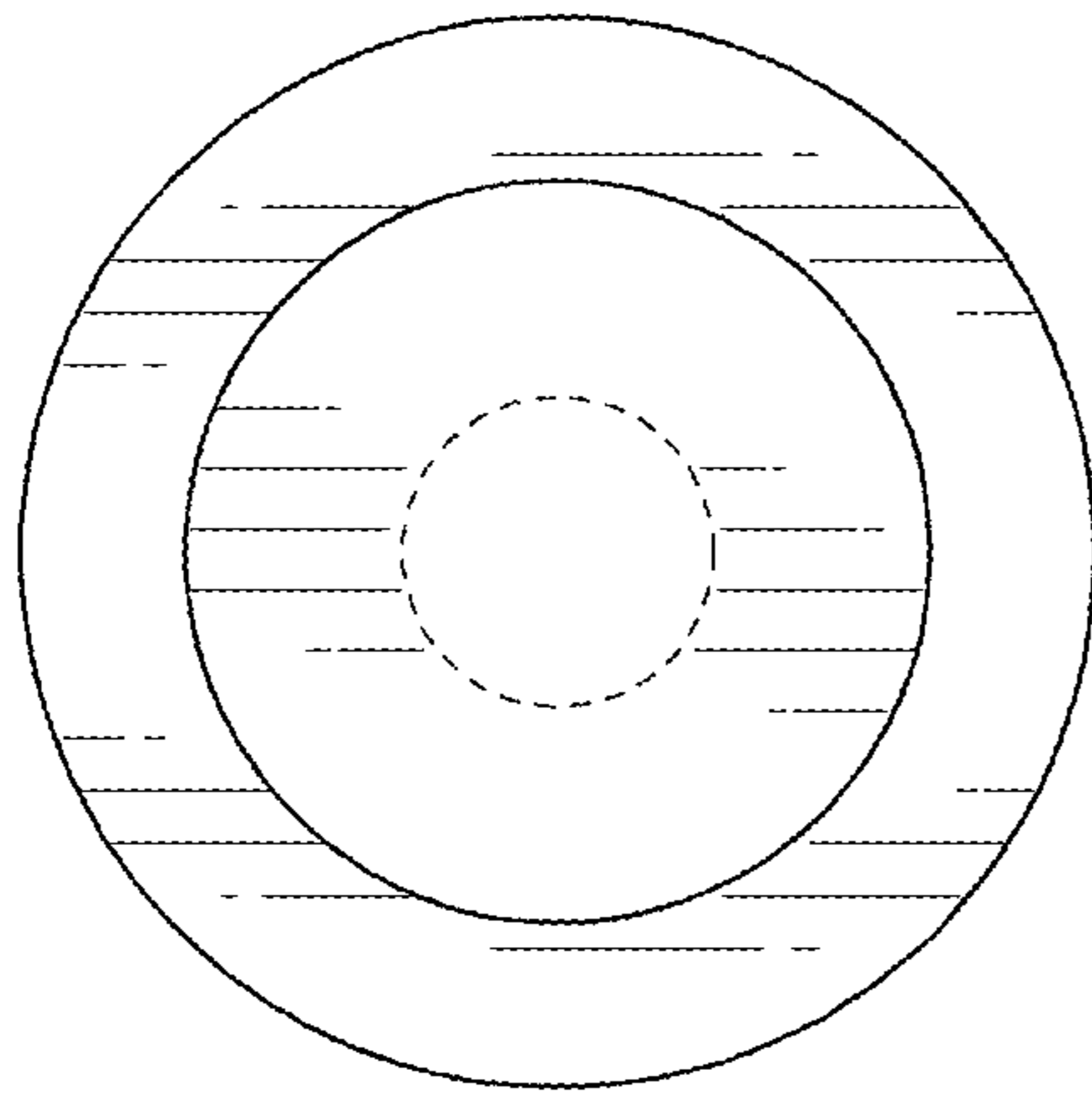


FIG. 5

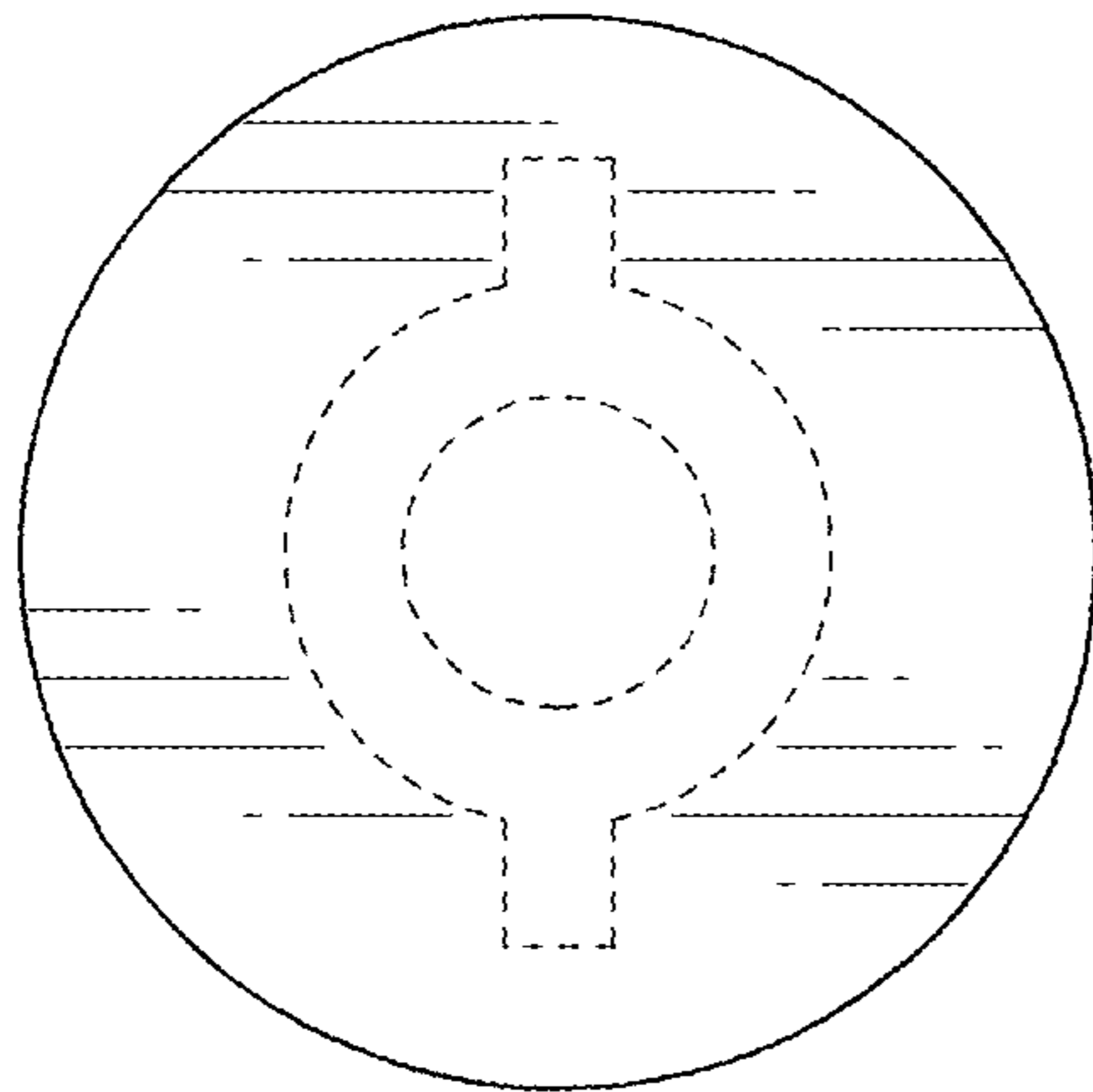


FIG. 6

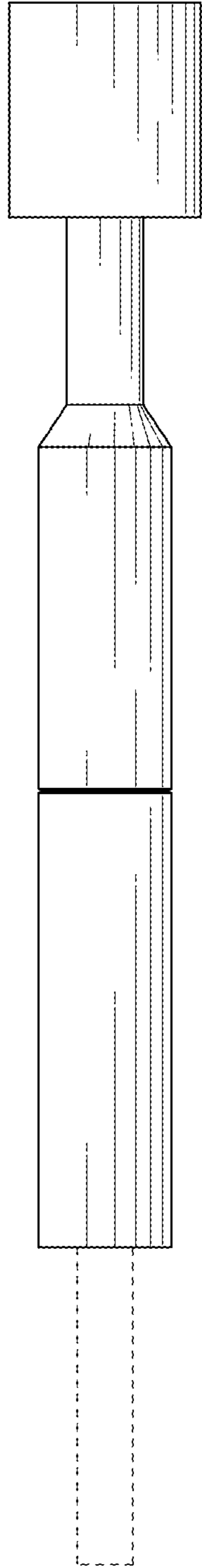


FIG. 7