



US00D915161S

(12) **United States Design Patent**  
**Lam et al.**

(10) **Patent No.:** **US D915,161 S**

(45) **Date of Patent:** **\*\* Apr. 6, 2021**

- (54) **HANDLE FOR A POWER TOOL**
- (71) Applicant: **TECHTRONIC CORDLESS GP,**  
Anderson, SC (US)
- (72) Inventors: **Kwok Fan Lam, Kwai Chung (HK);**  
**Carter Wong, Kwai Chung (HK)**
- (73) Assignee: **TECHTRONIC CORDLESS GP,**  
Anderson, SC (US)
- (\*\*) Term: **15 Years**
- (21) Appl. No.: **29/712,967**
- (22) Filed: **Nov. 13, 2019**
- (30) **Foreign Application Priority Data**  
May 17, 2019 (CN) ..... 201930242819.2
- (51) **LOC (13) Cl.** ..... **08-01**
- (52) **U.S. Cl.**  
USPC ..... **D8/8**
- (58) **Field of Classification Search**  
USPC ..... D8/7, 8, 9, 107  
CPC .... A01G 3/053; B27B 19/008; Y10T 83/9324  
See application file for complete search history.

- (56) **References Cited**  
U.S. PATENT DOCUMENTS  
5,581,891 A \* 12/1996 Wheeler ..... A01G 3/053  
30/216  
D388,291 S \* 12/1997 Gildersleeve ..... D8/8  
D460,329 S \* 7/2002 Waldron ..... D8/9  
D543,804 S \* 6/2007 Houghton ..... D8/8  
D580,240 S \* 11/2008 Murray ..... D8/8

- D624,371 S \* 9/2010 Tinius ..... D8/8
- D668,512 S \* 10/2012 Roise ..... D8/8
- D668,513 S \* 10/2012 Okuda ..... D8/8
- D668,514 S \* 10/2012 Sweeney ..... D8/8
- D675,072 S \* 1/2013 Stratford ..... D8/8
- D711,700 S \* 8/2014 Mehra ..... D8/8
- D802,387 S \* 11/2017 Tinius ..... D8/8
- D846,960 S \* 4/2019 Tinius ..... D8/8
- 2009/0188361 A1 \* 7/2009 Simpson ..... A01D 34/408  
83/367
- 2018/0199518 A1 \* 7/2018 Milus ..... F16H 21/22

\* cited by examiner

*Primary Examiner* — Philip S Hyder

(74) *Attorney, Agent, or Firm* — Michael Best & Friedrich LLP

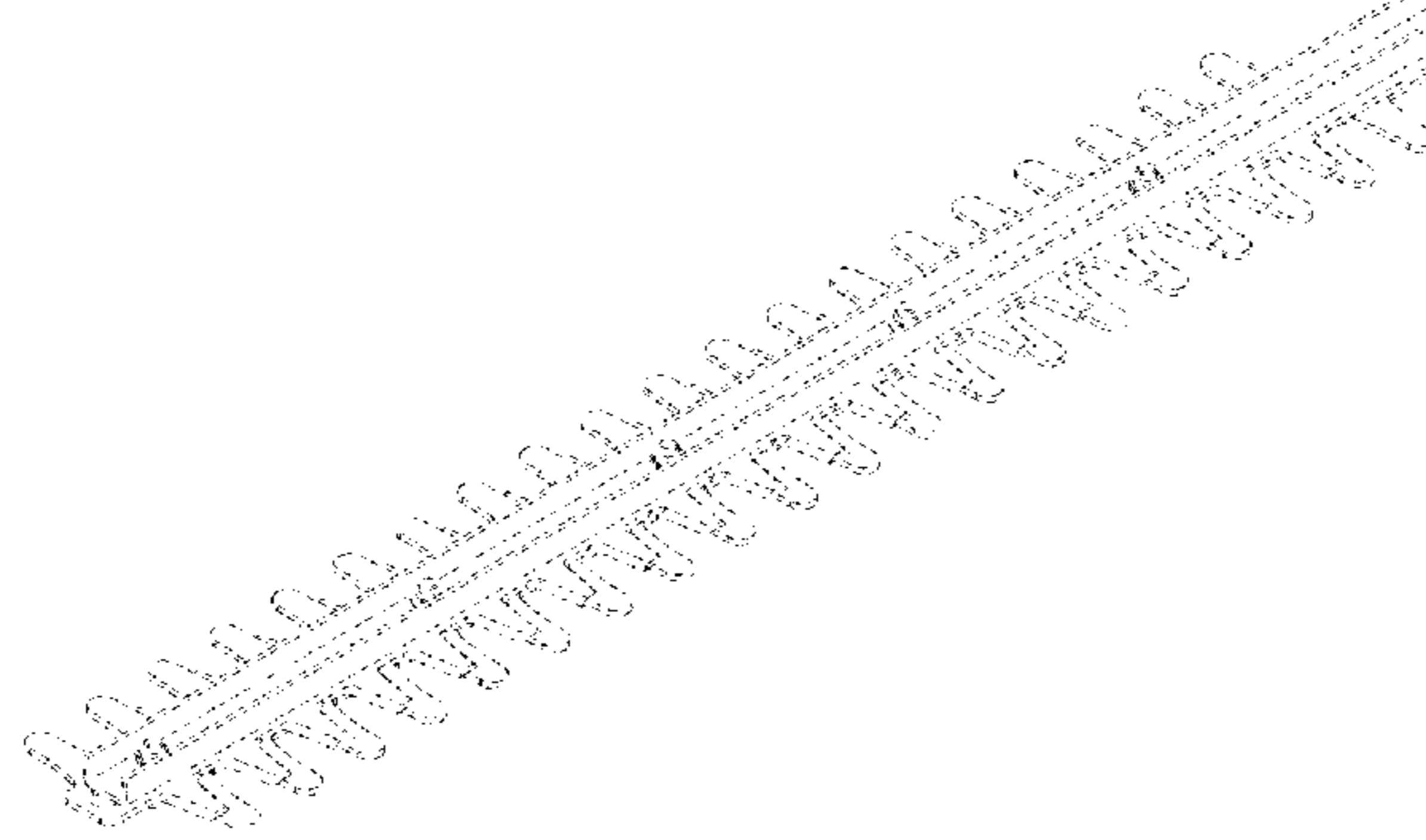
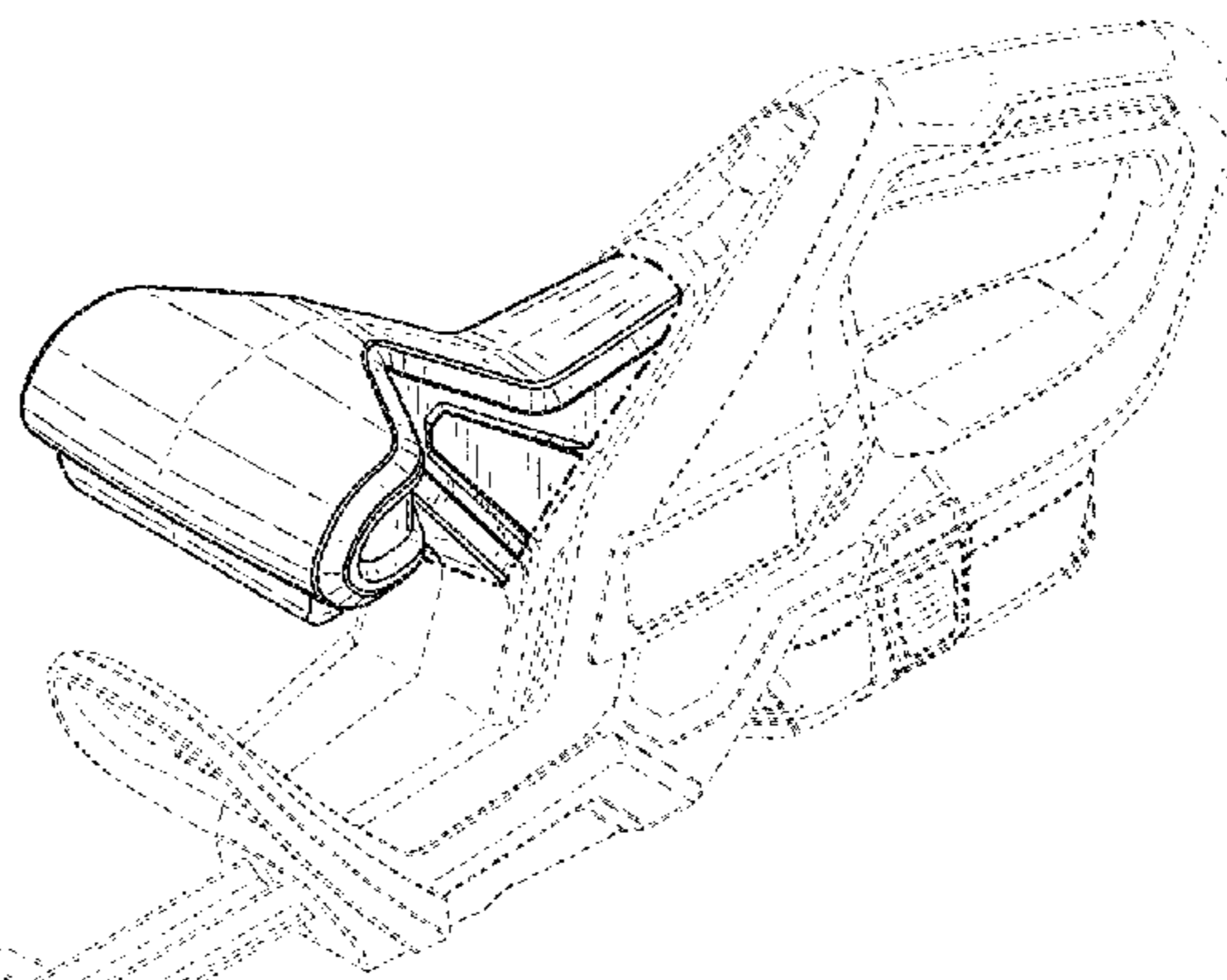
(57) **CLAIM**

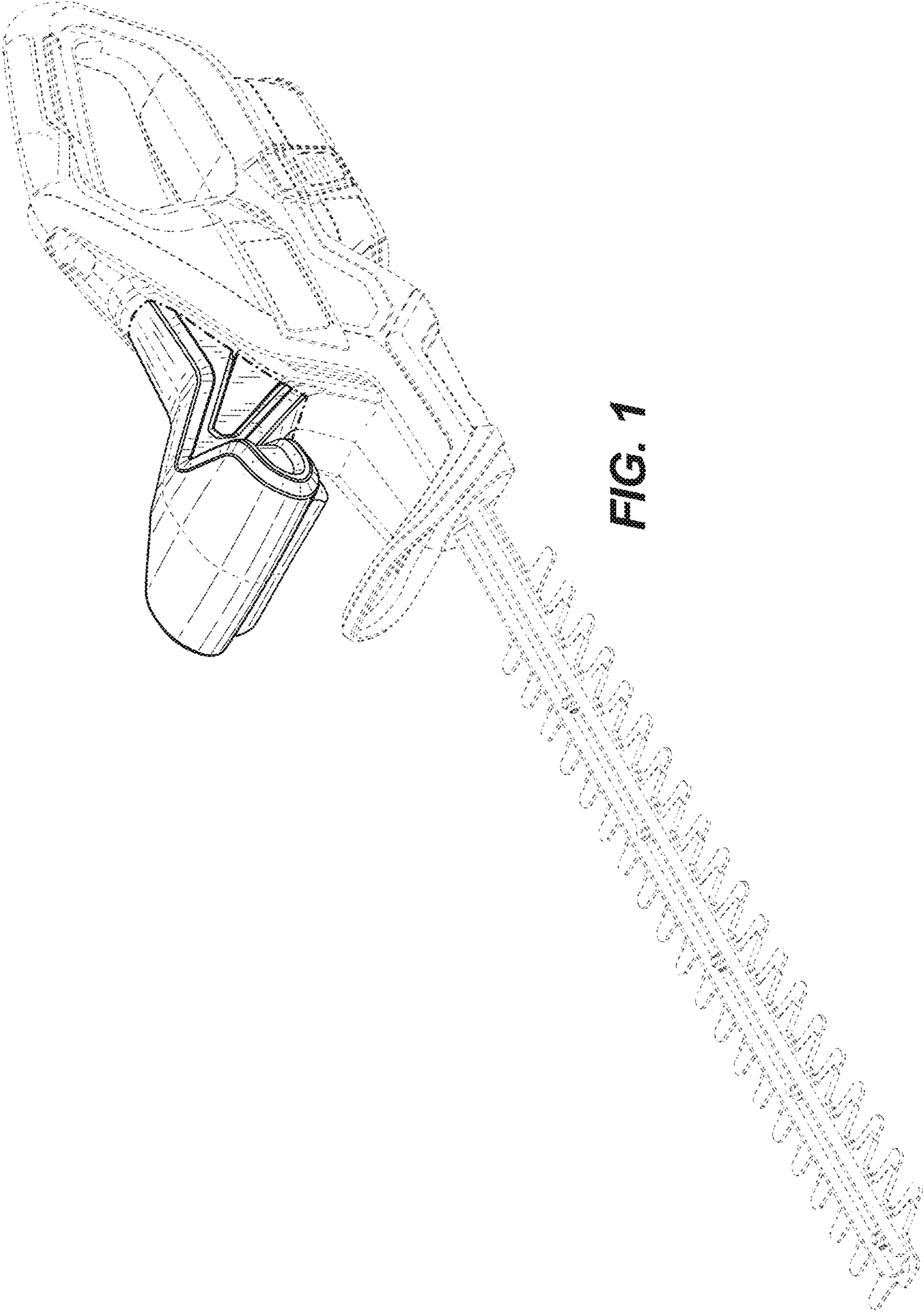
We claim the ornamental design for a handle for a power tool, as shown and described.

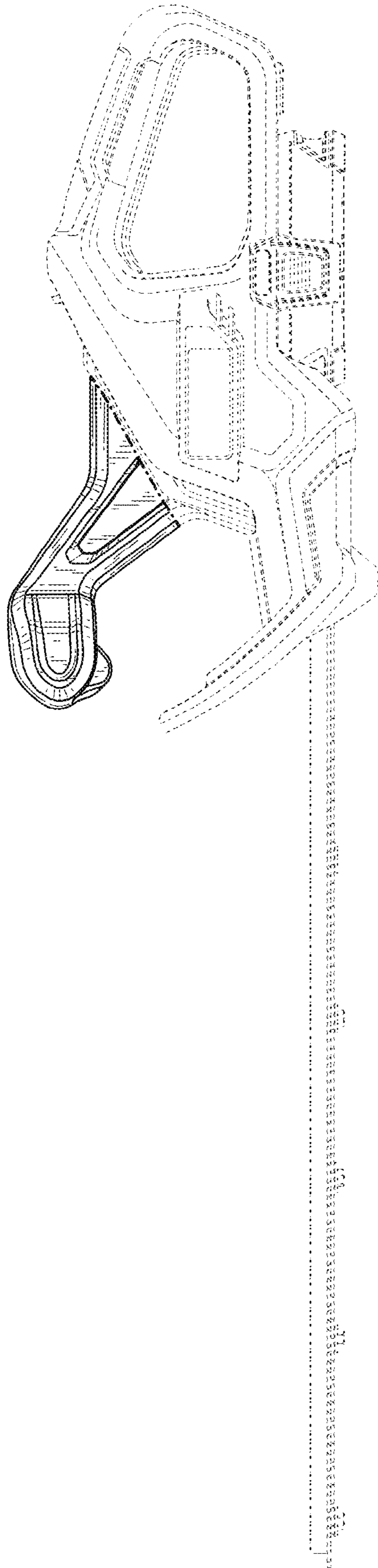
**DESCRIPTION**

FIG. 1 is a perspective view of a handle for a power tool, embodying the new design.  
 FIG. 2 is a right side view of the handle shown in FIG. 1.  
 FIG. 3 is a left side view of the handle shown in FIG. 1.  
 FIG. 4 is a front view of the handle shown in FIG. 1.  
 FIG. 5 is a rear view of the handle shown in FIG. 1.  
 FIG. 6 is a top view of the handle shown in FIG. 1; and  
 FIG. 7 is a bottom view of the handle shown in FIG. 1.  
 The even broken lines represent portions of the article that form no part of the claimed design. The uneven broken lines represent boundaries of the design and form no part of the claimed design.

**1 Claim, 5 Drawing Sheets**







**FIG. 2**

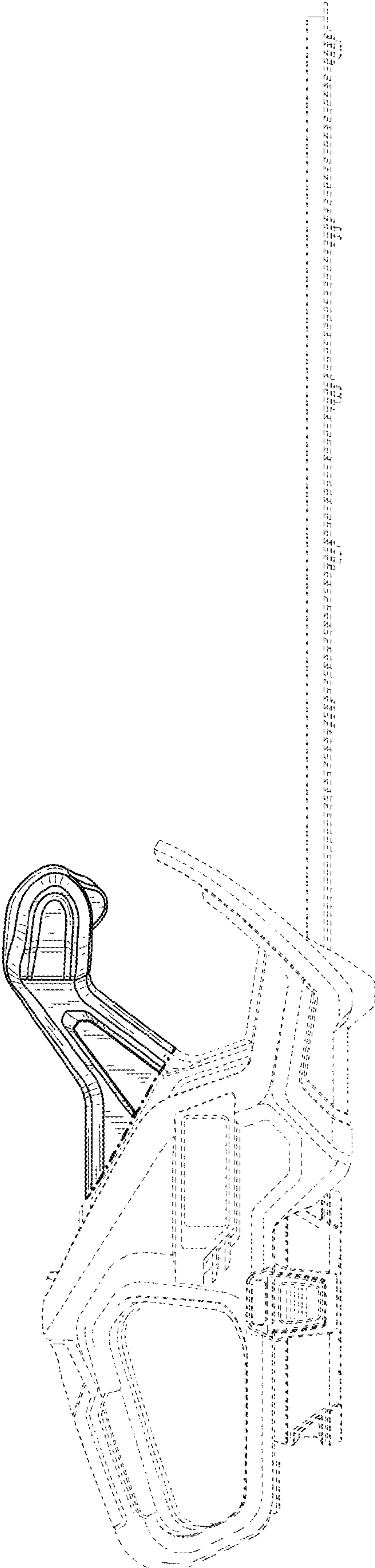
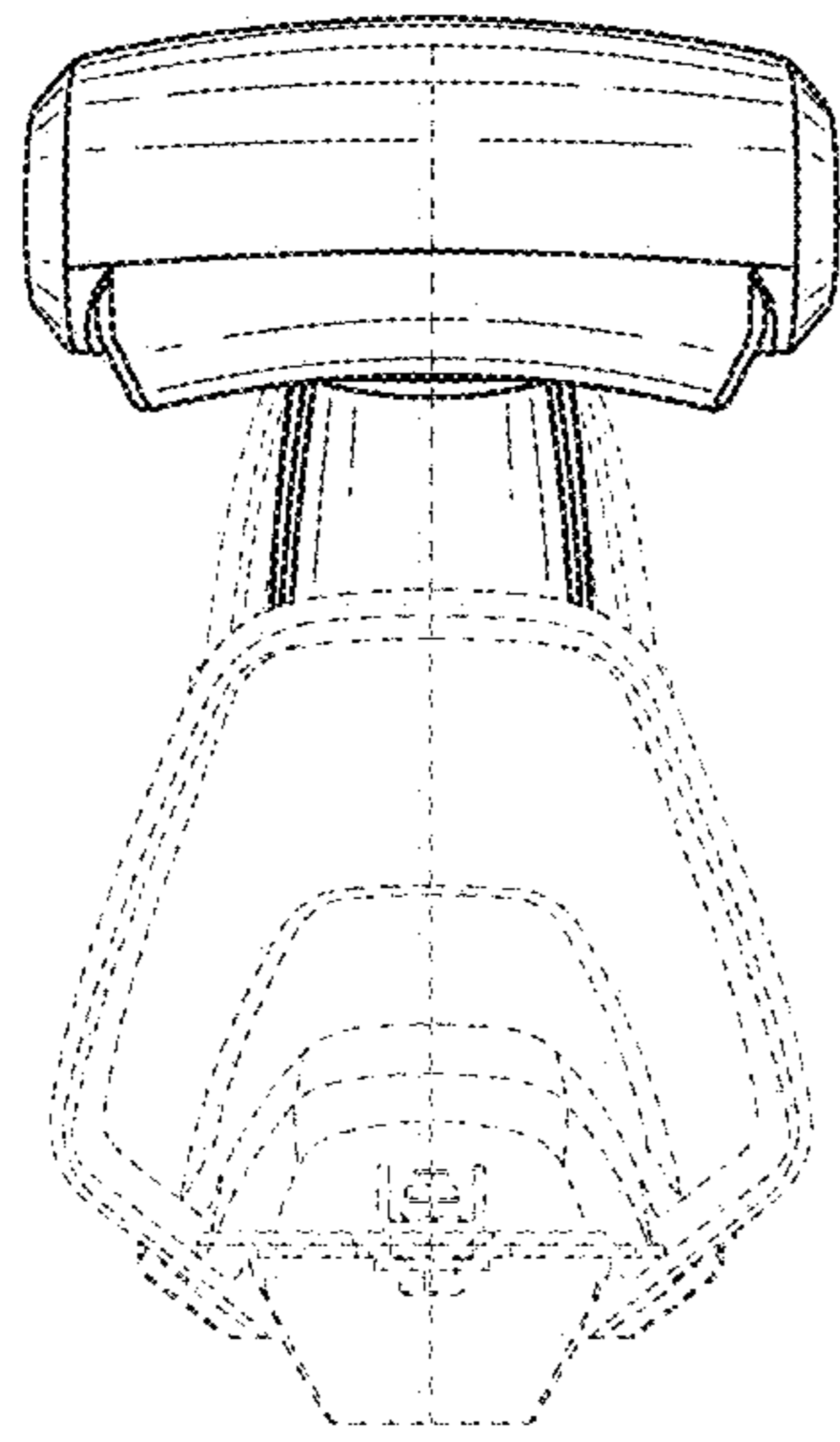
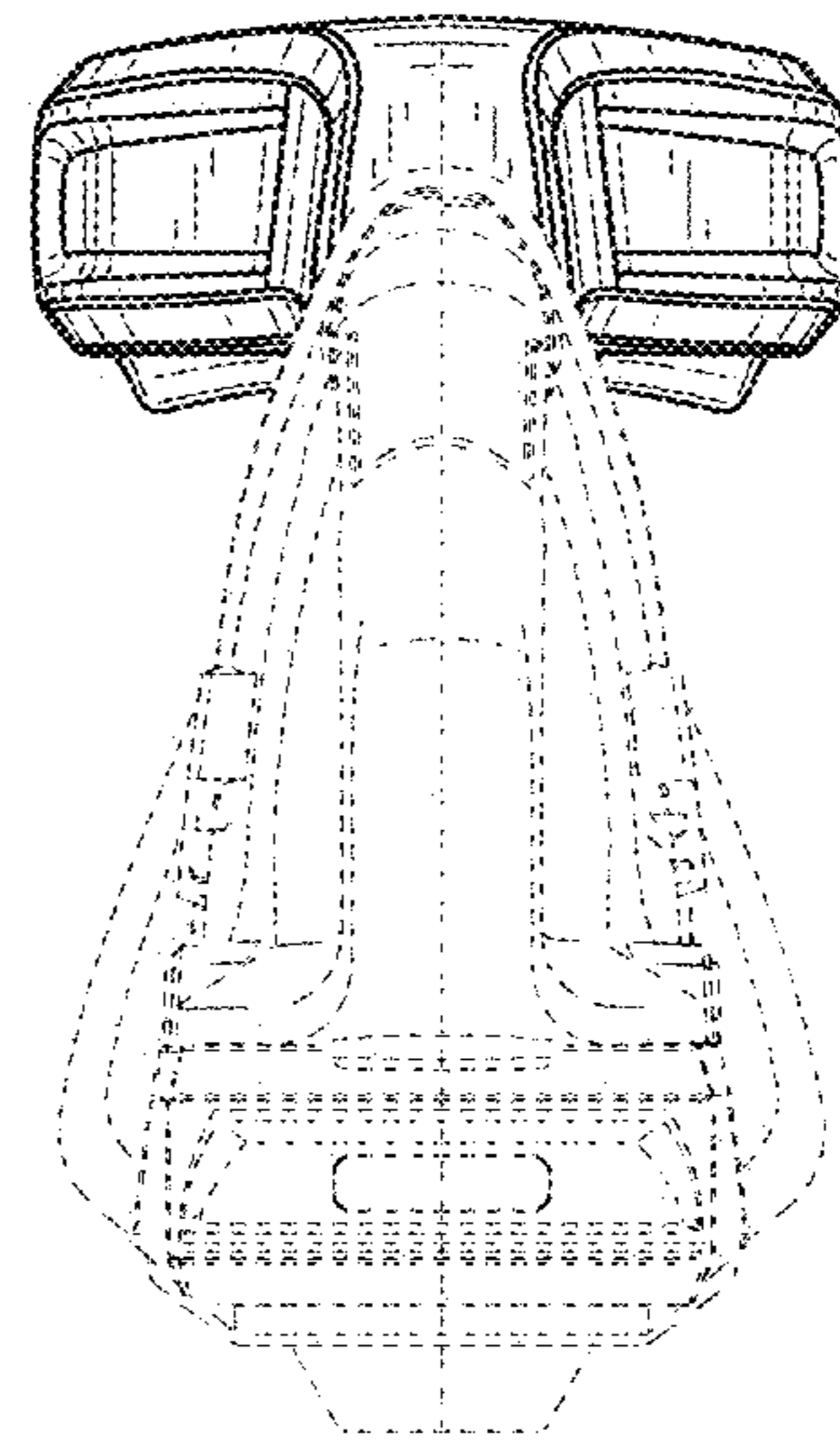


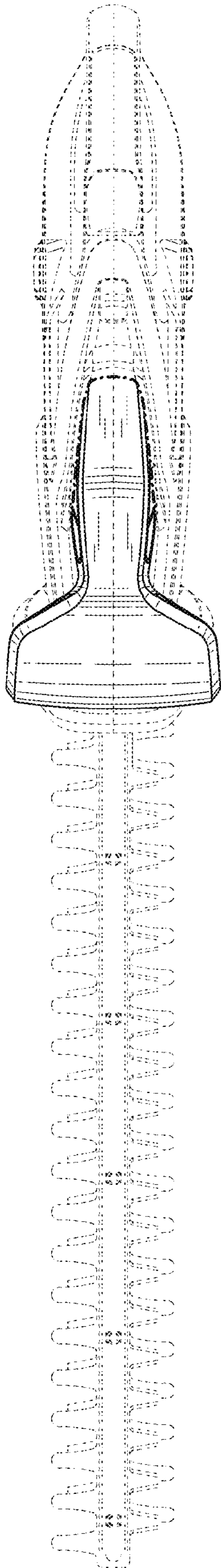
FIG. 3



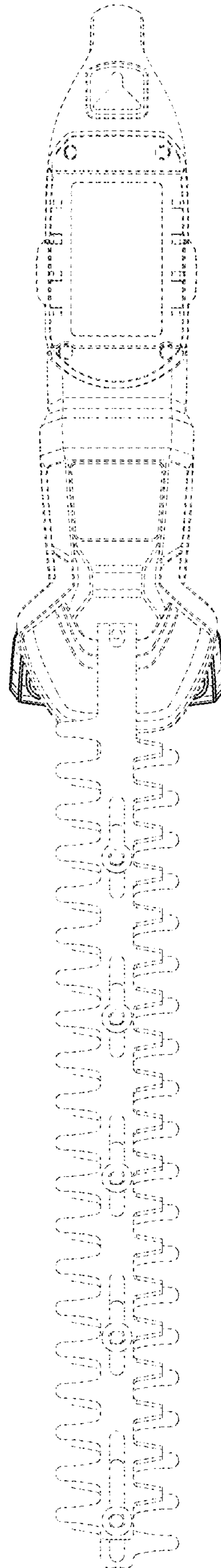
**FIG. 4**



**FIG. 5**



**FIG. 6**



**FIG. 7**