



US00D915160S

(12) **United States Design Patent**  
**Madigan et al.**

(10) **Patent No.:** **US D915,160 S**

(45) **Date of Patent:** **\*\* Apr. 6, 2021**

(54) **CARRIER**

(71) Applicants: **Richard Madigan**, Hingham, MA (US);  
**Connor Madigan**, Foxborough, MA (US)

(72) Inventors: **Richard Madigan**, Hingham, MA (US);  
**Connor Madigan**, Foxborough, MA (US)

(73) Assignee: **Accutech Packaging, Inc.**, Foxboro, MA (US)

(\*\*) Term: **15 Years**

(21) Appl. No.: **29/691,425**

(22) Filed: **May 16, 2019**

(51) **LOC (13) Cl.** ..... **07-07**

(52) **U.S. Cl.**  
USPC ..... **D7/703**

(58) **Field of Classification Search**  
USPC ..... D7/601, 602, 603, 605, 607, 624.2, 629,  
D7/703; D9/424, 425  
CPC ..... A47F 1/087; A47J 47/14; B65D 77/0446  
See application file for complete search history.

(56) **References Cited**

**U.S. PATENT DOCUMENTS**

D201,398 S \* 6/1965 Burns ..... D3/302  
D243,914 S \* 4/1977 Marubashi ..... D7/629

D344,658 S \* 3/1994 Arkoosh, Jr. .... D7/359  
D363,196 S \* 10/1995 Kristiansen ..... D7/553.3  
D367,367 S \* 2/1996 Bekerman ..... D6/336  
D380,349 S \* 7/1997 Indekeu ..... D7/359  
D381,512 S \* 7/1997 Green ..... D3/273  
D429,565 S \* 8/2000 Aiken ..... D3/273  
D495,597 S \* 9/2004 Rubalcava ..... D9/424  
D792,759 S \* 7/2017 Foster ..... D9/424  
D792,760 S \* 7/2017 Foster ..... D9/424

\* cited by examiner

*Primary Examiner* — Karen S Acker

*Assistant Examiner* — Steven B Reinholdt, Jr.

(74) *Attorney, Agent, or Firm* — Salter & Michaelson

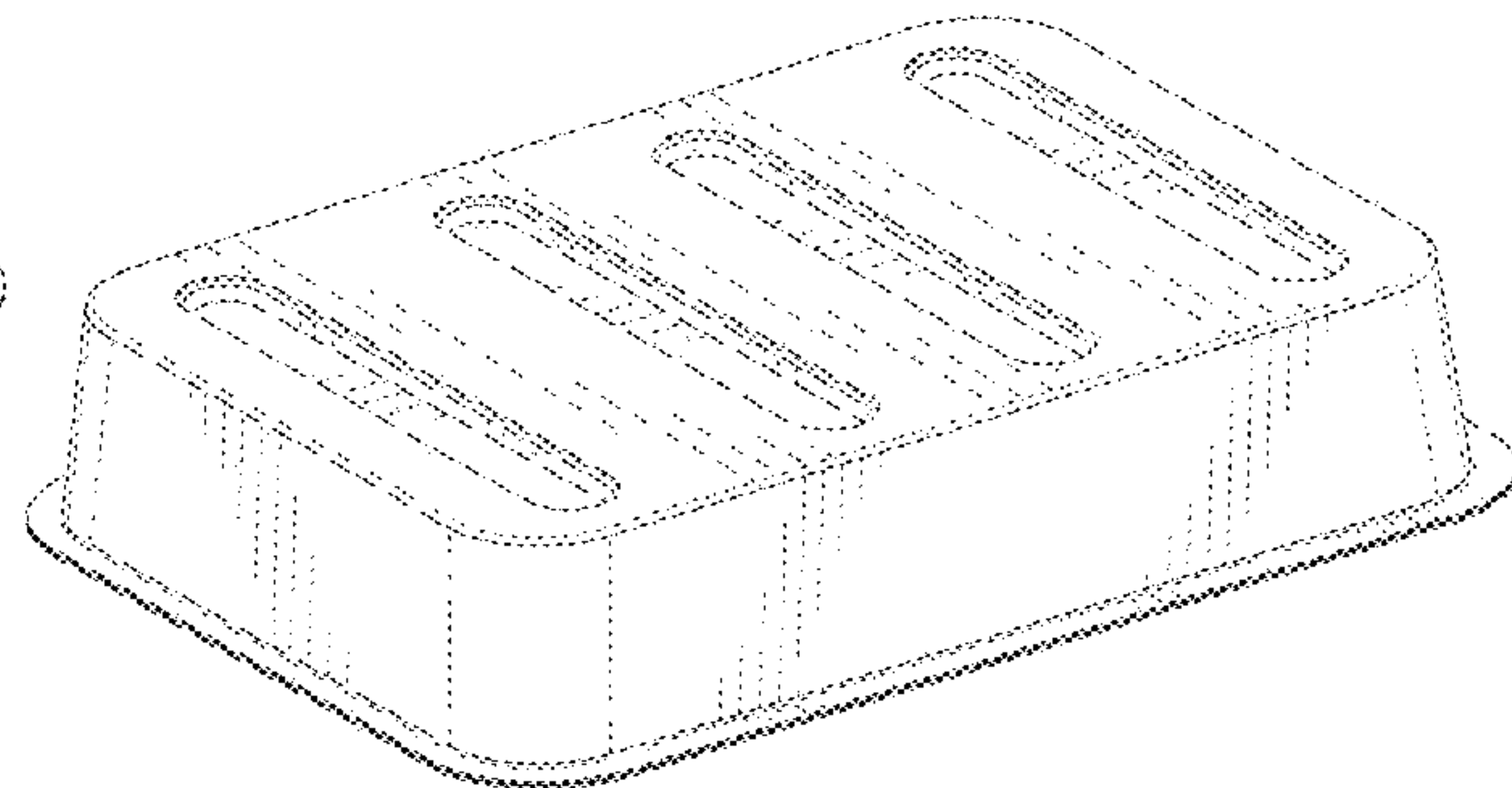
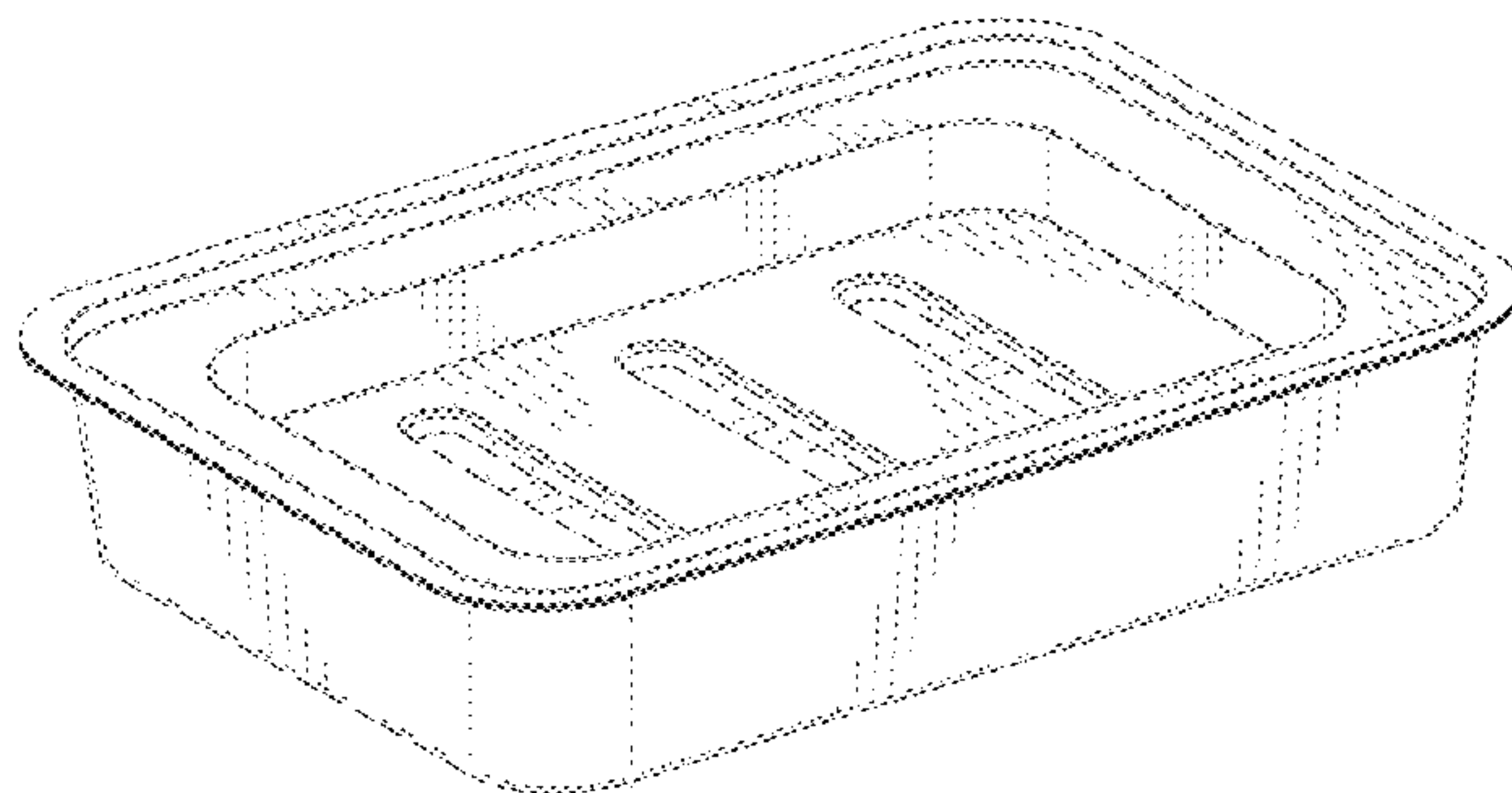
(57) **CLAIM**

The ornamental design for a carrier, as shown.

**DESCRIPTION**

FIG. 1 is a top perspective view of a carrier;  
FIG. 2 is a bottom perspective view thereof;  
FIG. 3 is a top plan view thereof;  
FIG. 4 is a bottom plan view thereof;  
FIG. 5 is a rear elevational view thereof;  
FIG. 6 is a front elevational view thereof;  
FIG. 7 is a right side elevational view thereof;  
FIG. 8 is a left side elevational view thereof; and,  
FIG. 9 is a cross-sectional view taken in the direction of line 9-9 of FIG. 3.

**1 Claim, 7 Drawing Sheets**



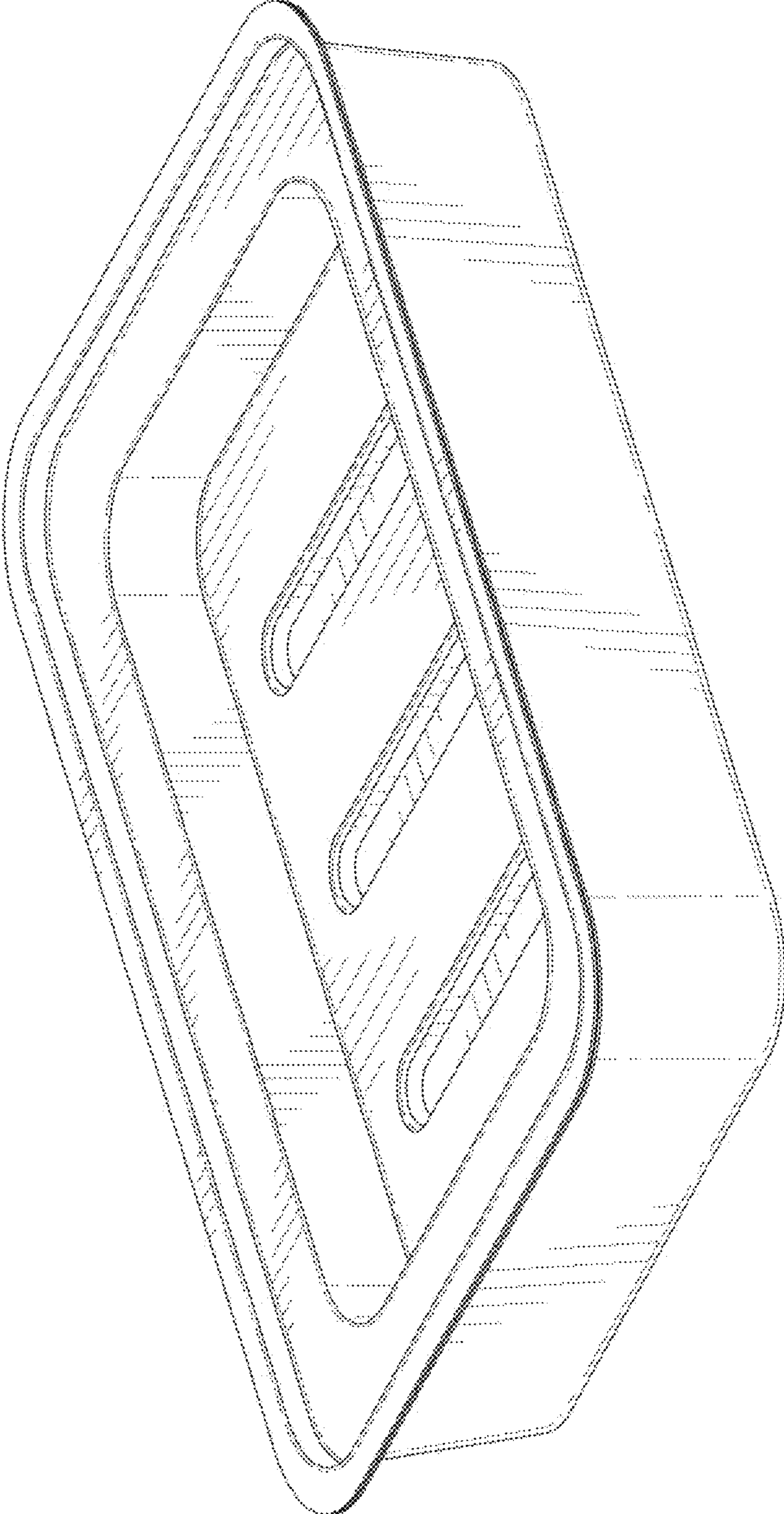


FIG. 1

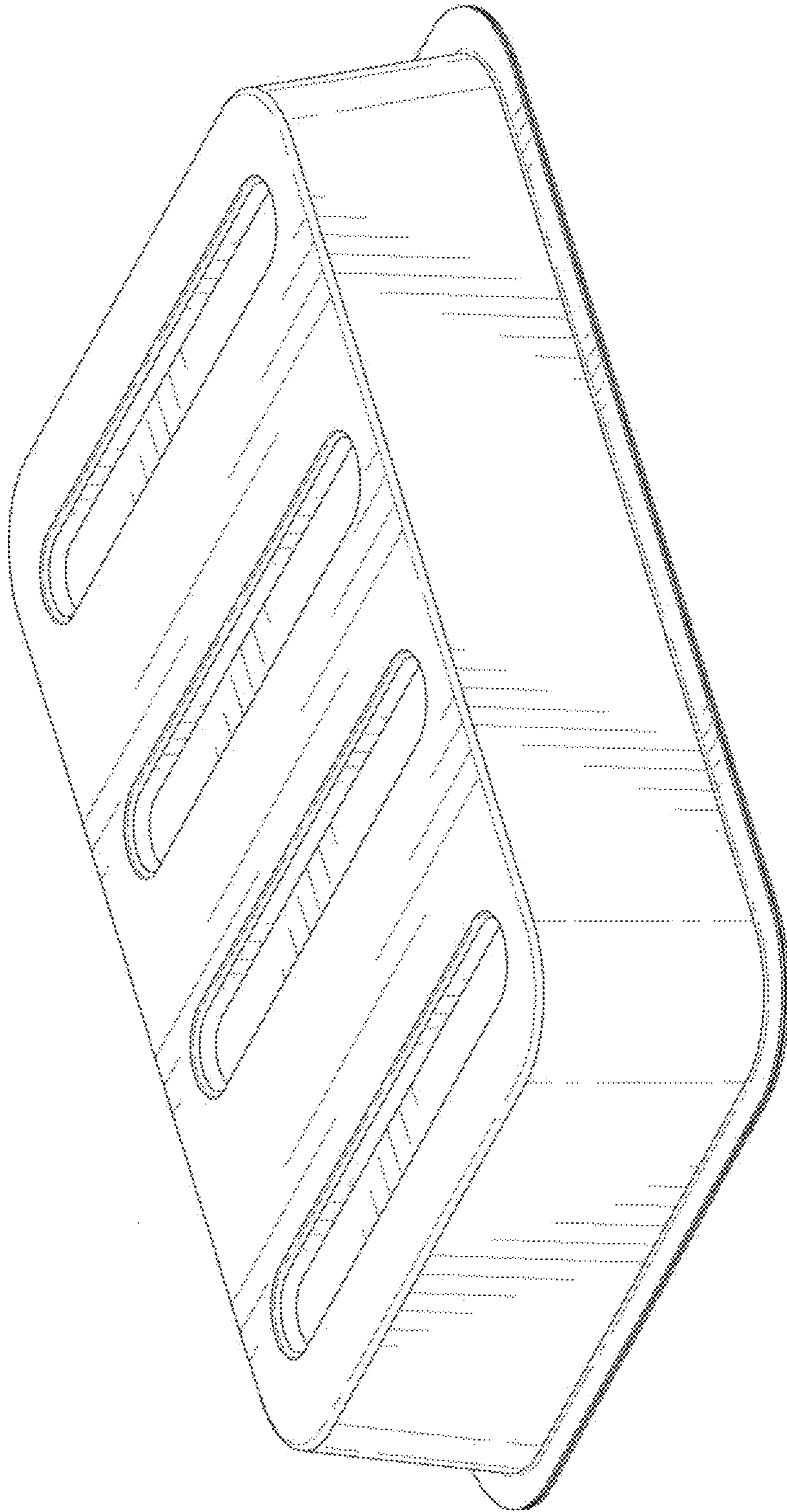


FIG. 2



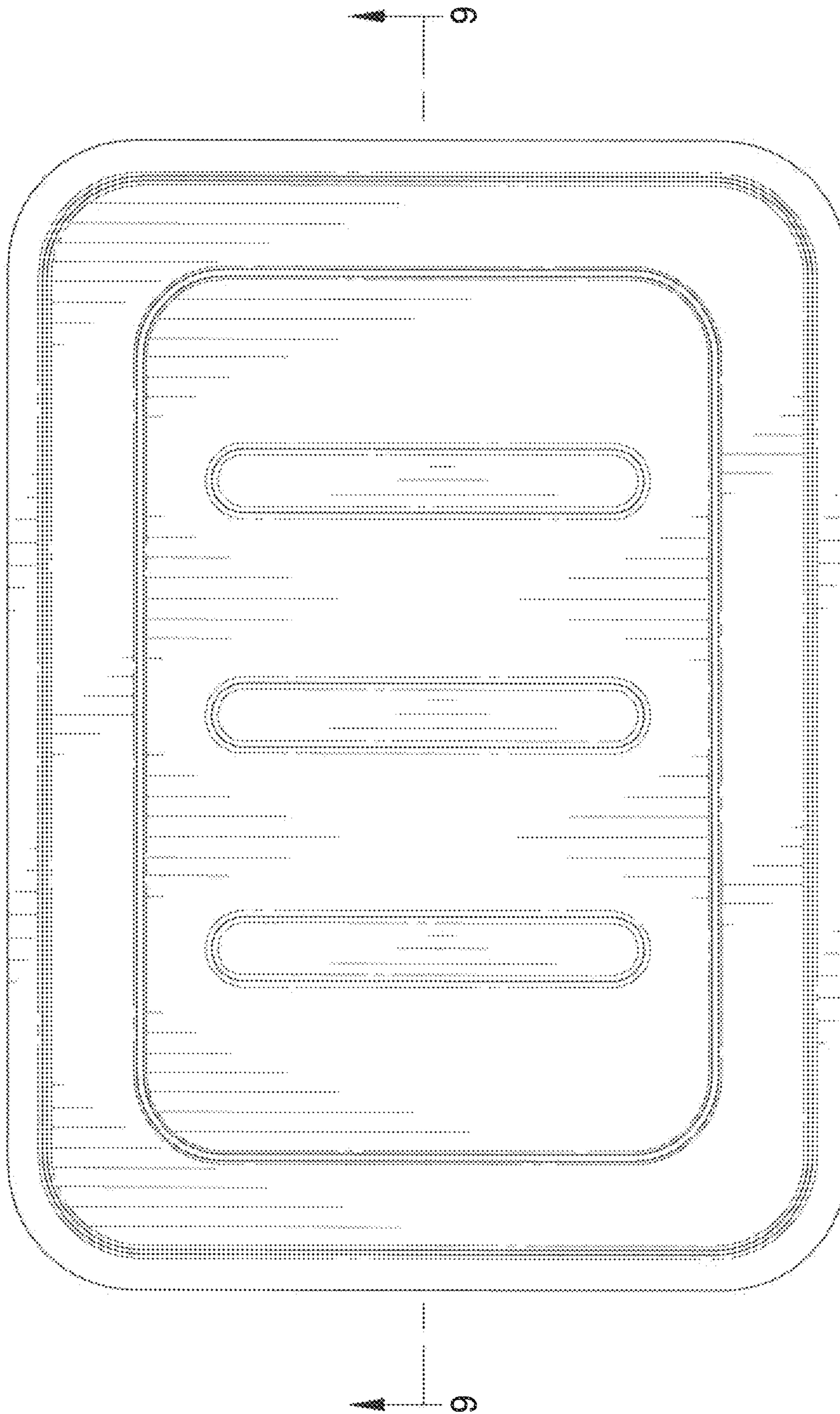


FIG. 3

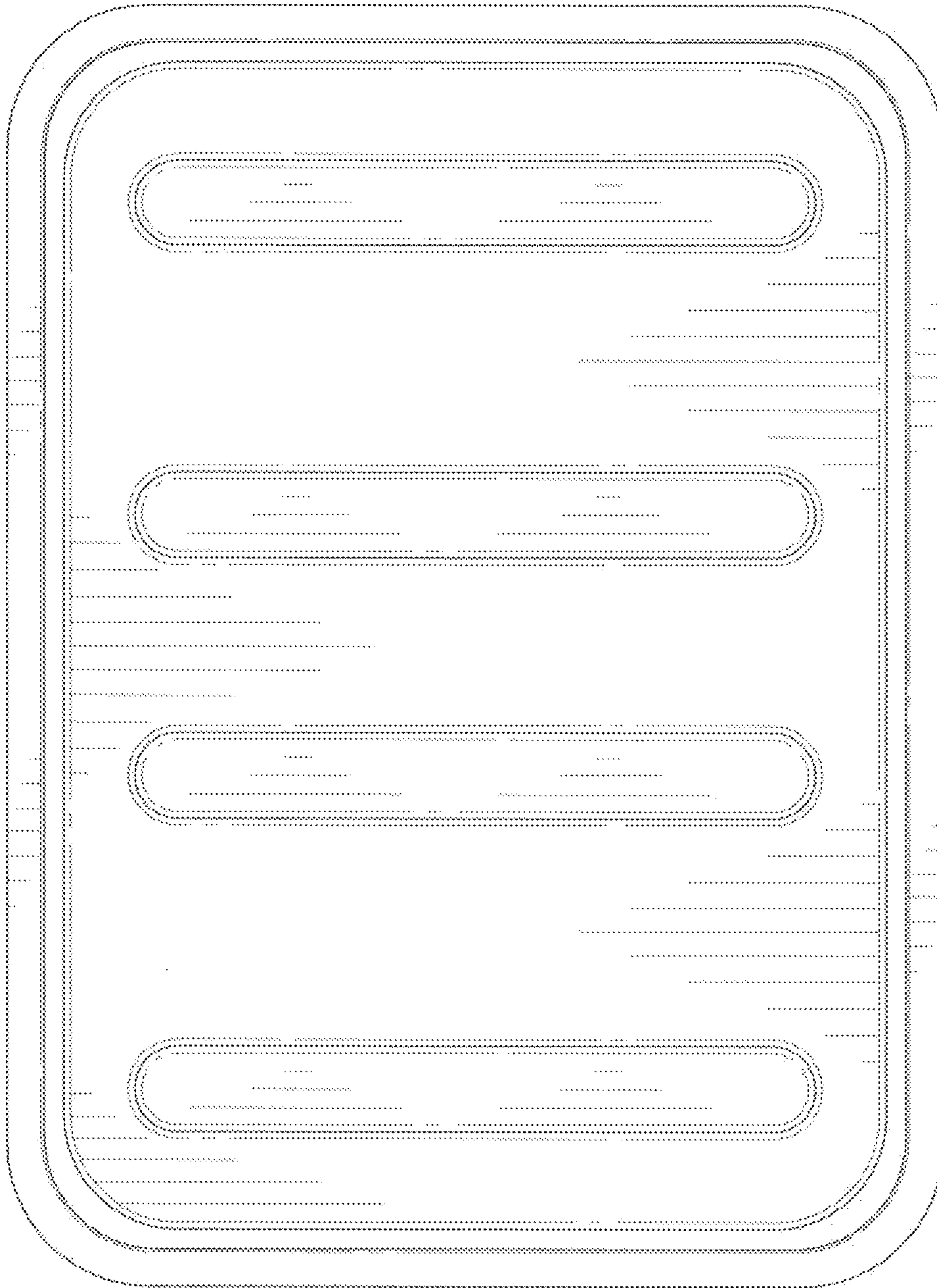


FIG. 4

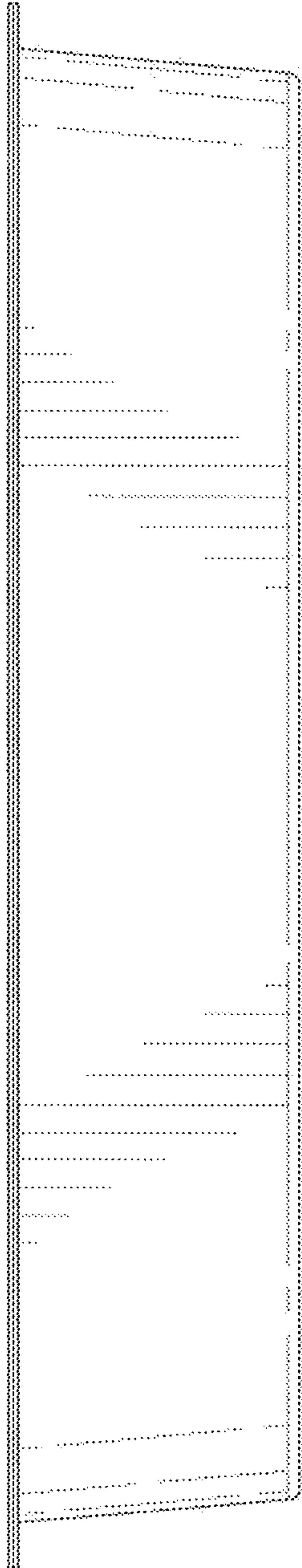


FIG. 5

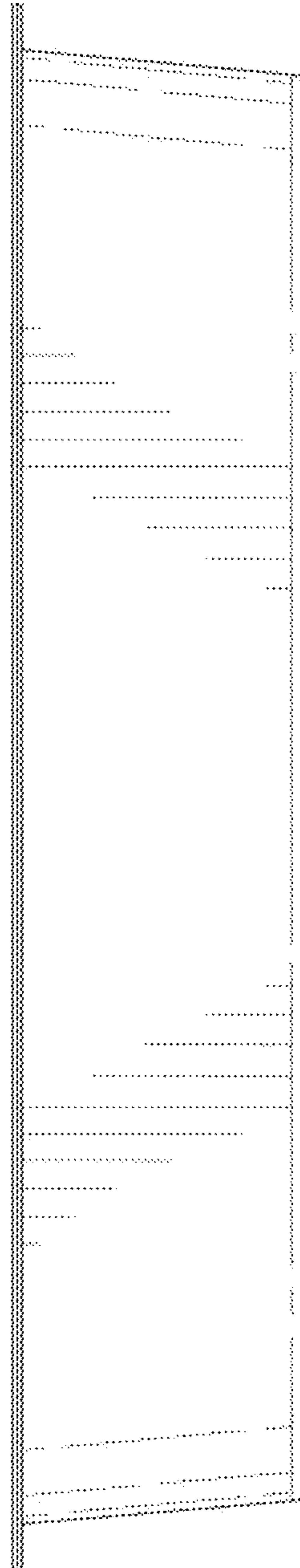


FIG. 6

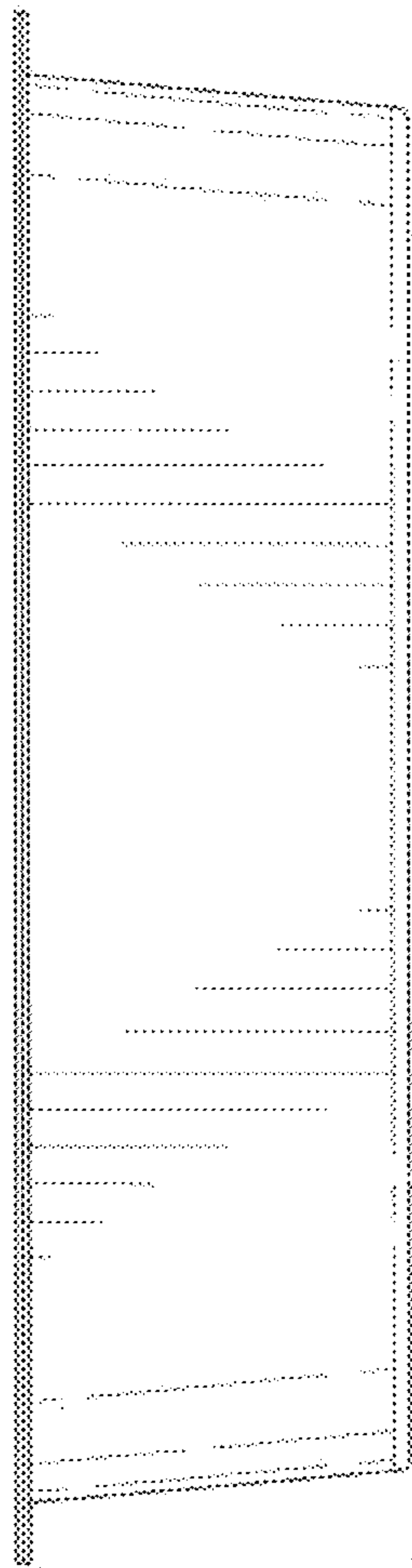


FIG. 7

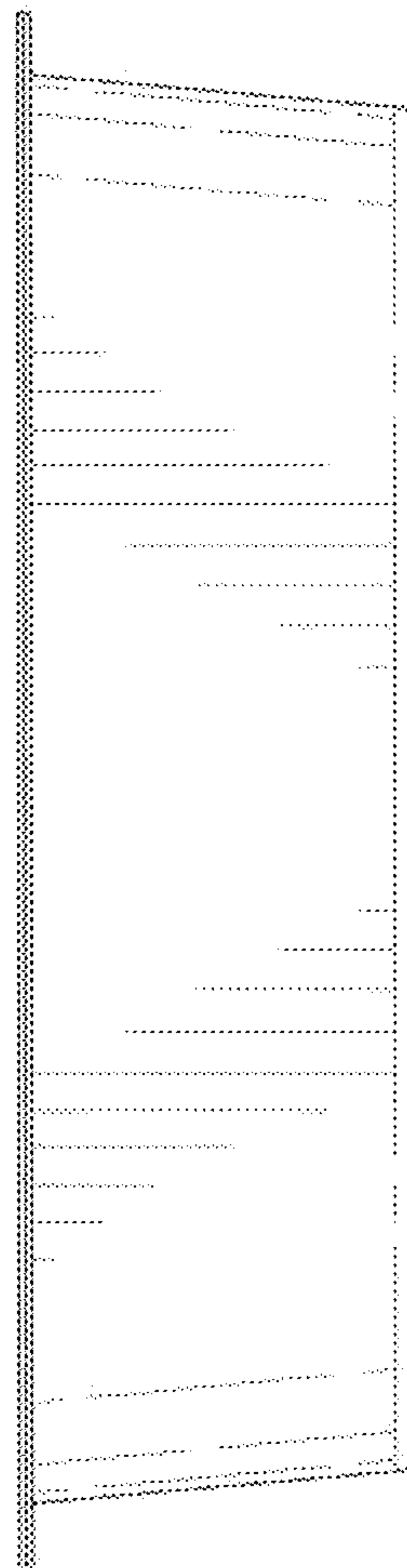


FIG. 8

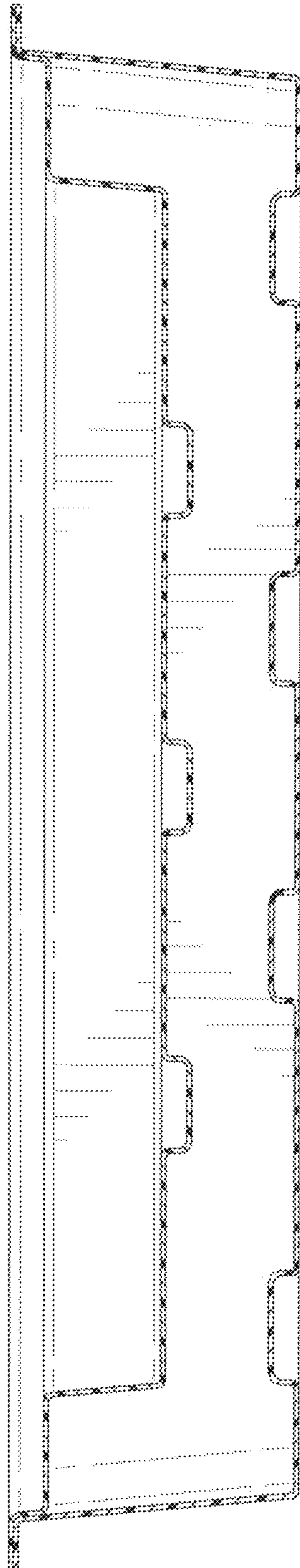


FIG. 9