



US00D915159S

(12) **United States Design Patent** (10) **Patent No.:** **US D915,159 S**
Xie (45) **Date of Patent:** **** Apr. 6, 2021**

(54) **SPOON**
(71) Applicant: **Zhixia Xie**, Guangdong (CN)
(72) Inventor: **Zhixia Xie**, Guangdong (CN)
(73) Assignee: **Shenzhen Baozhixia Technology Co., Ltd.**, Shenzhen (CN)
(**) Term: **15 Years**
(21) Appl. No.: **29/760,041**
(22) Filed: **Nov. 27, 2020**
(51) **LOC (13) Cl.** **07-02**
(52) **U.S. Cl.**
USPC **D7/691**
(58) **Field of Classification Search**
USPC D7/688-692, 669, 368
CPC A21B 3/003; A47G 21/045; A47G 21/04;
A47G 21/02; A47G 21/023; A47G
21/026; A47J 43/288; A47J 43/283; A47J
43/281; A47J 43/28; A47J 43/00; A47J
43/282; A47J 43/285; A47F 13/08; A61J
7/0023

See application file for complete search history.

(56) **References Cited**
U.S. PATENT DOCUMENTS
D307,095 S * 4/1990 Juergens D7/653
D413,772 S 9/1999 Durbin
D429,123 S 8/2000 Liu
D491,419 S * 6/2004 White D7/653
D507,725 S 7/2005 White et al.

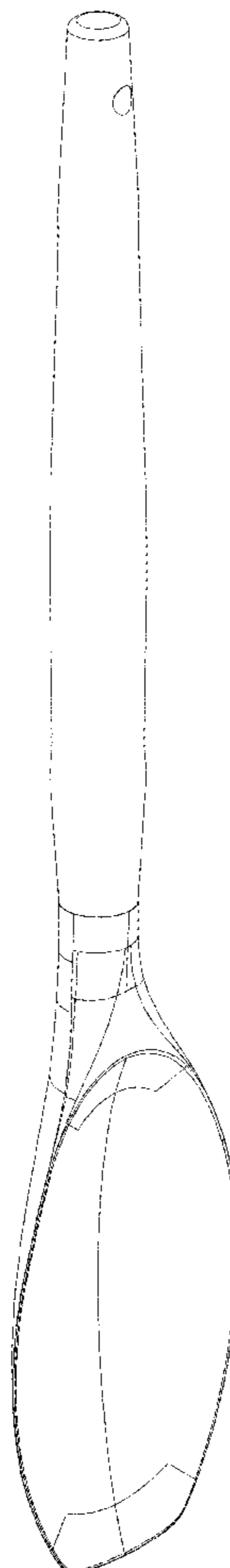
* cited by examiner

Primary Examiner — Terry A Wallace

(57) **CLAIM**
The ornamental design for a spoon, as shown and described.

DESCRIPTION
FIG. 1 is a front, left side perspective view of a spoon showing my new design;
FIG. 2 is a rear, left side perspective view thereof;
FIG. 3 is a front elevation view thereof;
FIG. 4 is a rear elevation view thereof;
FIG. 5 is a left side elevation view thereof;
FIG. 6 is a right side elevation view thereof;
FIG. 7 is an enlarged top plan view thereof; and,
FIG. 8 is an enlarged bottom plan view thereof.

1 Claim, 5 Drawing Sheets



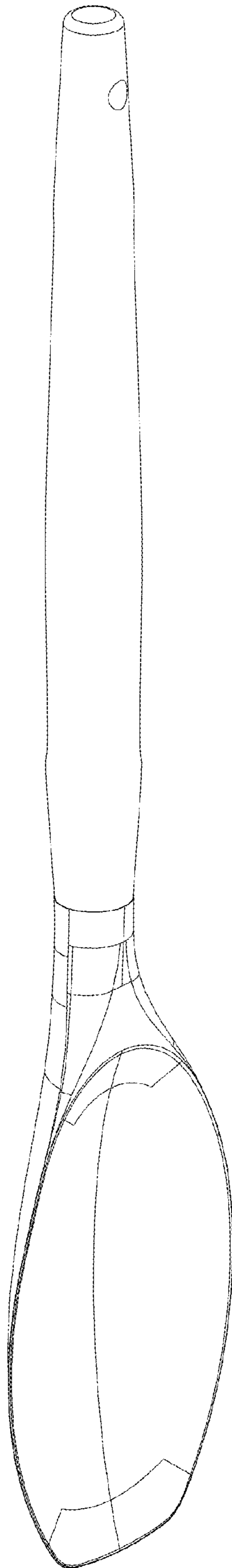


FIG. 1

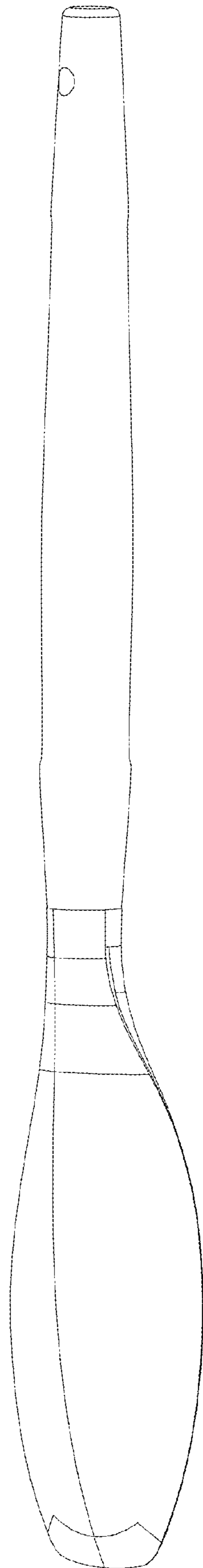
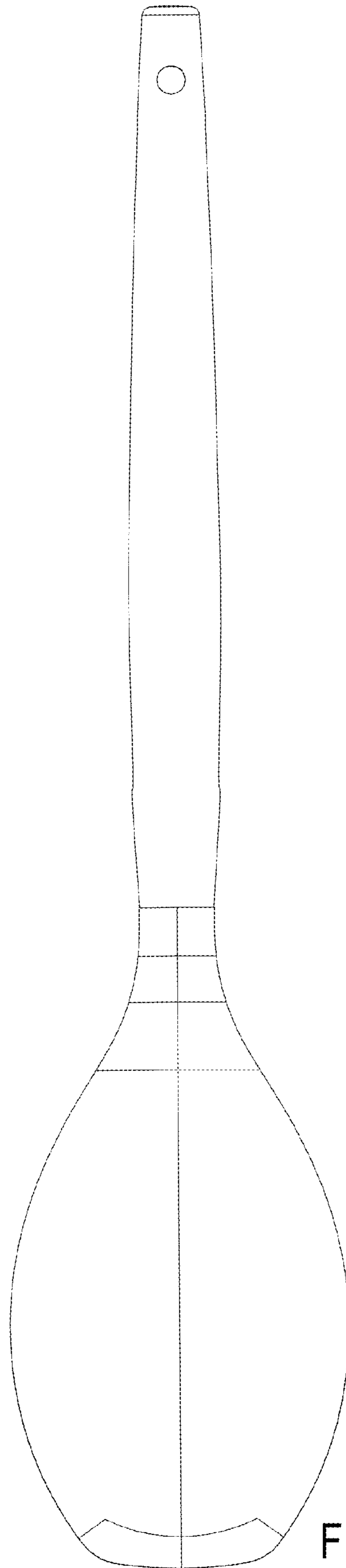
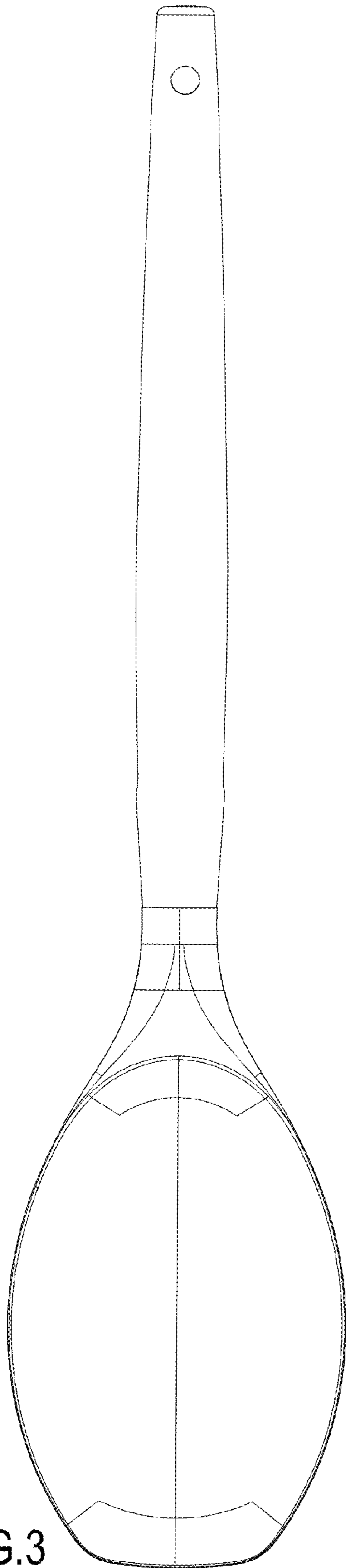


FIG. 2



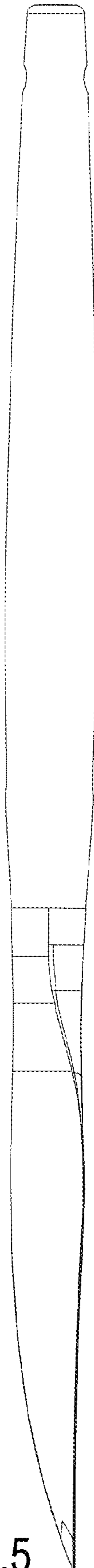


FIG.5

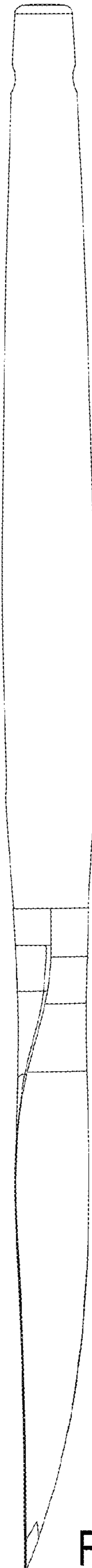


FIG.6

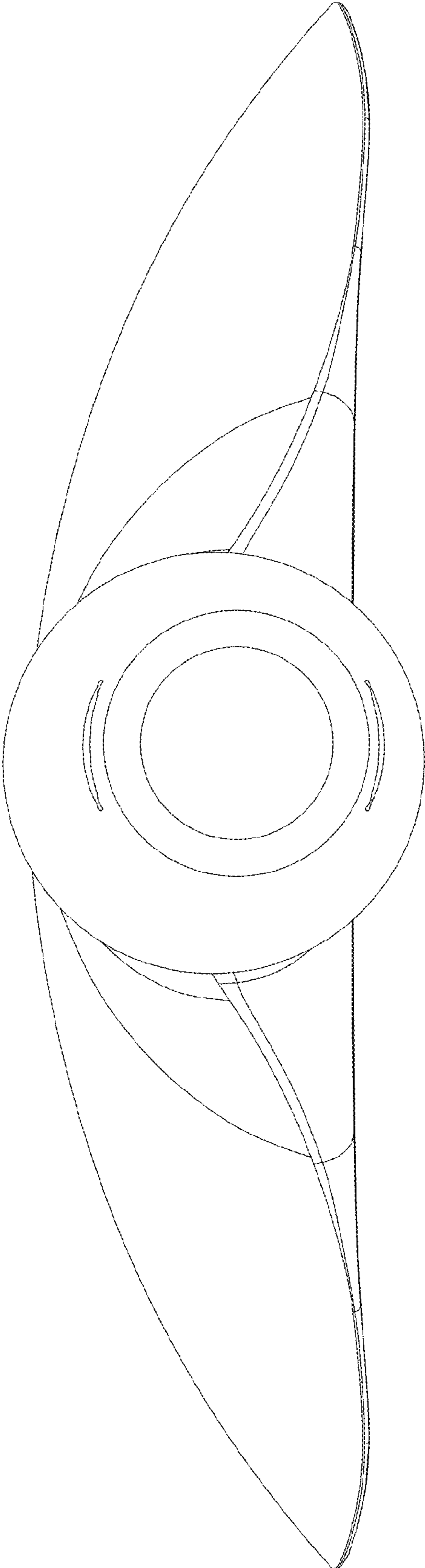


FIG. 7

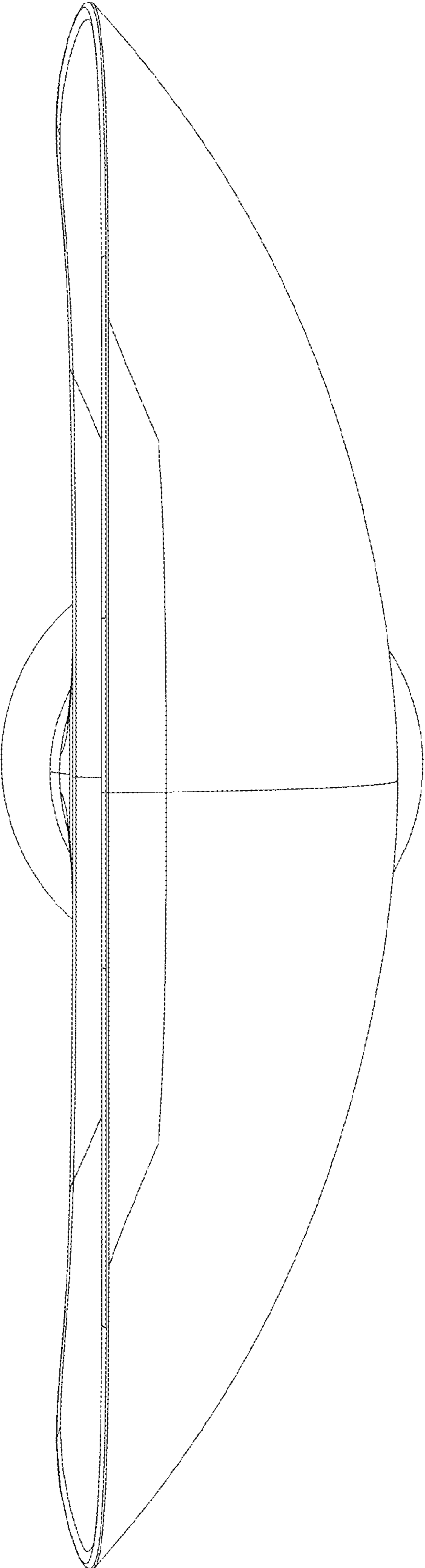


FIG. 8