



US00D915158S

(12) **United States Design Patent**
Zhou

(10) **Patent No.:** **US D915,158 S**

(45) **Date of Patent:** **** Apr. 6, 2021**

(54) **FOOD TONGS**

(71) Applicant: **YIWU FENGYUE ARTS AND CRAFTS CO., LTD**, Yiwu (CN)

(72) Inventor: **Ming Zhou**, Shenzhen (CN)

(**) Term: **15 Years**

(21) Appl. No.: **29/750,112**

(22) Filed: **Sep. 11, 2020**

(51) **LOC (13) Cl.** **07-06**

(52) **U.S. Cl.**
USPC **D7/686; D7/692**

(58) **Field of Classification Search**
USPC D7/368, 669, 680-696, 393, 395
CPC A47J 43/283; A47J 43/28; A47J 43/288;
A47J 43/281; A47J 43/00; A47G 21/00;
A47G 21/10; A47G 21/103; A47G
21/106; A47G 21/045; A21B 3/003
See application file for complete search history.

(56) **References Cited**

U.S. PATENT DOCUMENTS

6,568,728 B1 * 5/2003 Wang A47G 21/10
294/106
D606,814 S 12/2009 Mineo

D628,029 S * 11/2010 Rothman D7/686
D675,487 S 2/2013 Gross et al.
9,220,363 B2 * 12/2015 Sassaman A47J 36/00
D814,891 S 4/2018 Gonzalez et al.
2009/0134055 A1 * 5/2009 Spellman A47G 21/10
206/553
2018/0360273 A1 * 12/2018 Bergin A47J 43/283

* cited by examiner

Primary Examiner — Terry A Wallace

(74) *Attorney, Agent, or Firm* — W&K IP

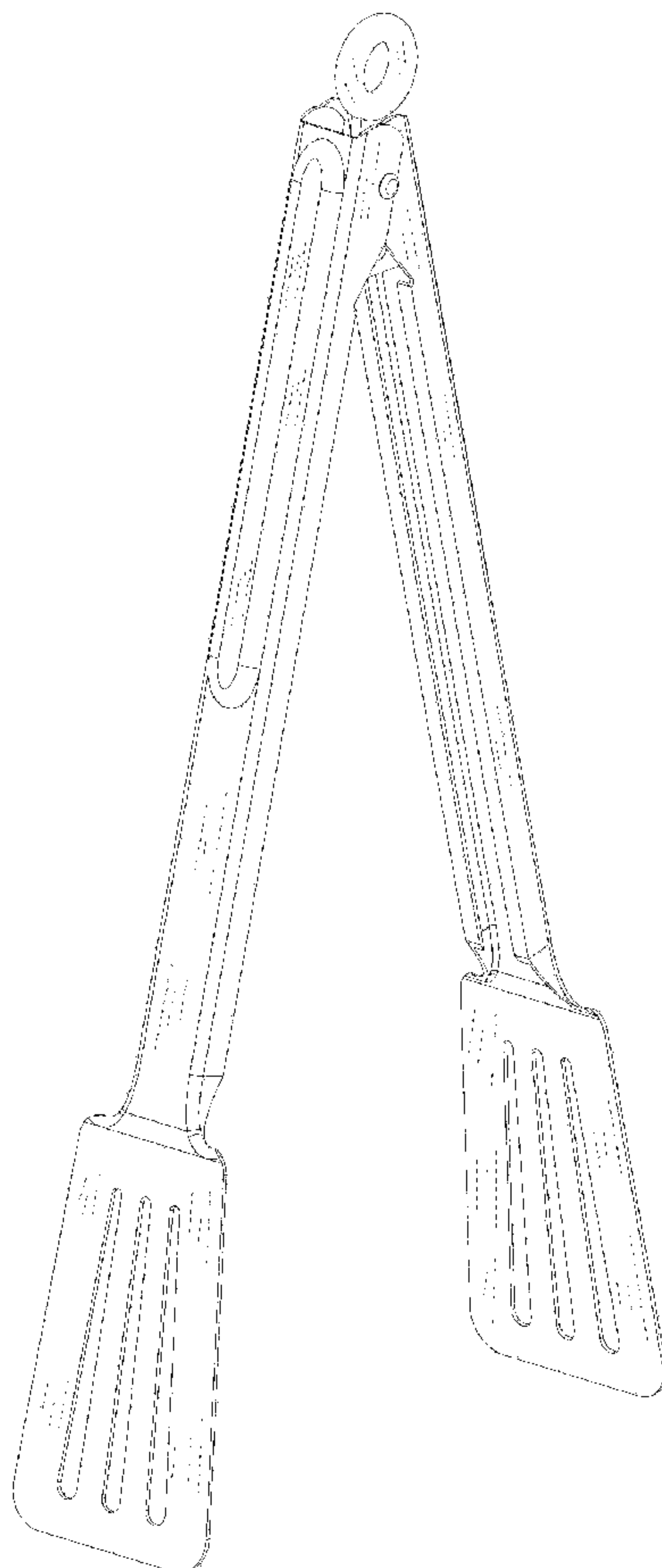
(57) **CLAIM**

The ornamental design for a food tongs, as shown and described.

DESCRIPTION

FIG. 1 is a perspective view of a food tongs showing my new design;
FIG. 2 is a front elevational view thereof;
FIG. 3 is a rear elevational view thereof;
FIG. 4 is a left side elevational view thereof;
FIG. 5 is a right side elevational view thereof;
FIG. 6 is a top plan view thereof; and,
FIG. 7 is a bottom plan view thereof.

1 Claim, 7 Drawing Sheets



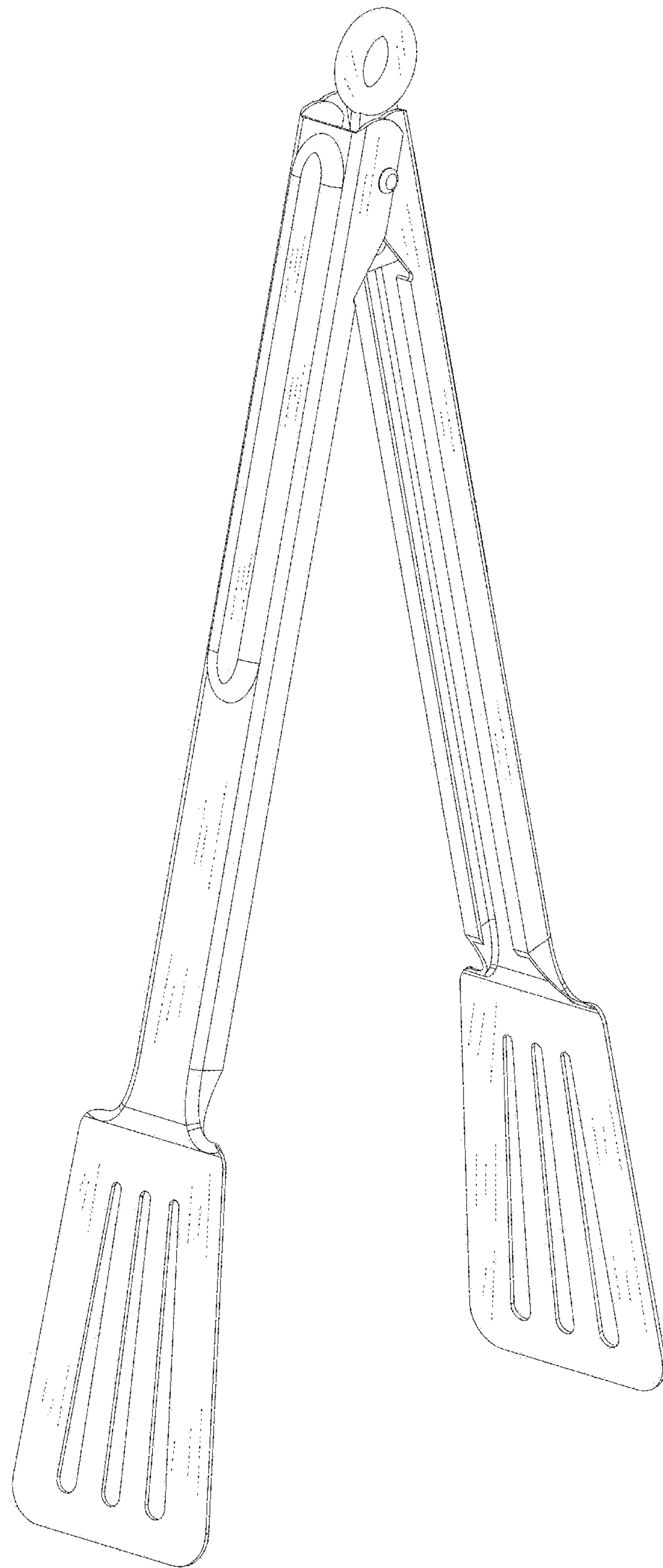


FIG.1

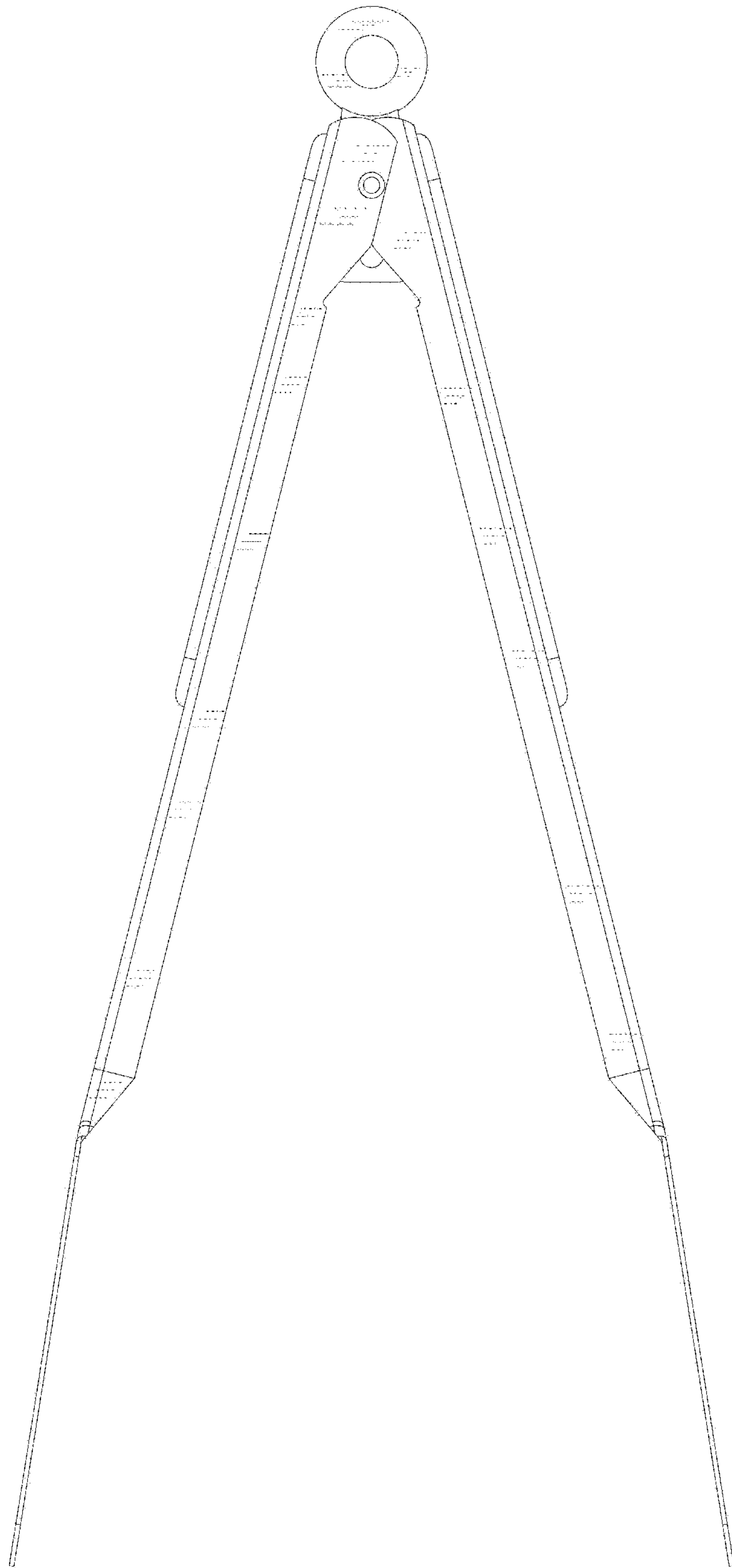


FIG.2

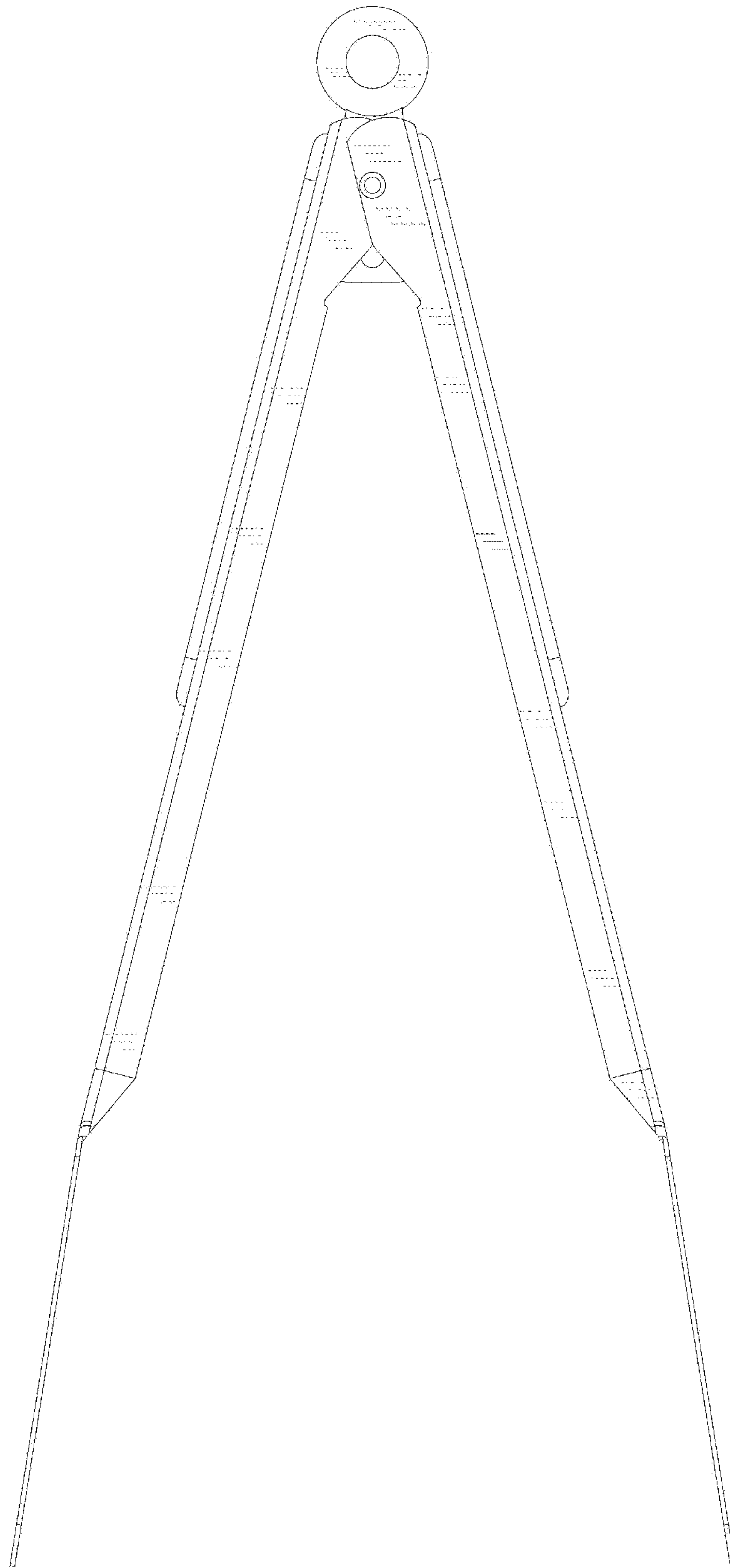


FIG.3

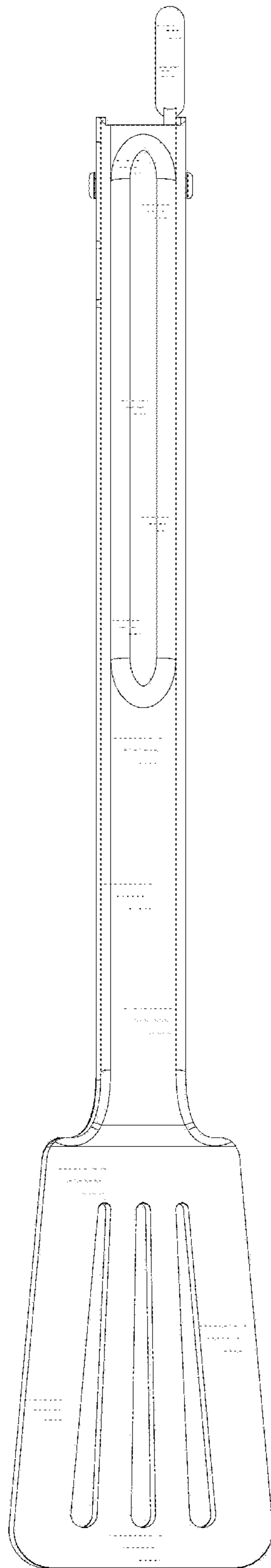


FIG.4

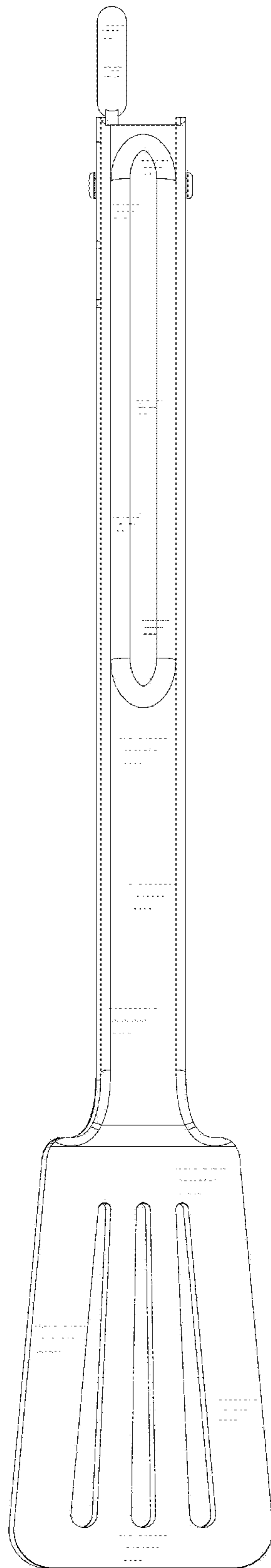


FIG.5

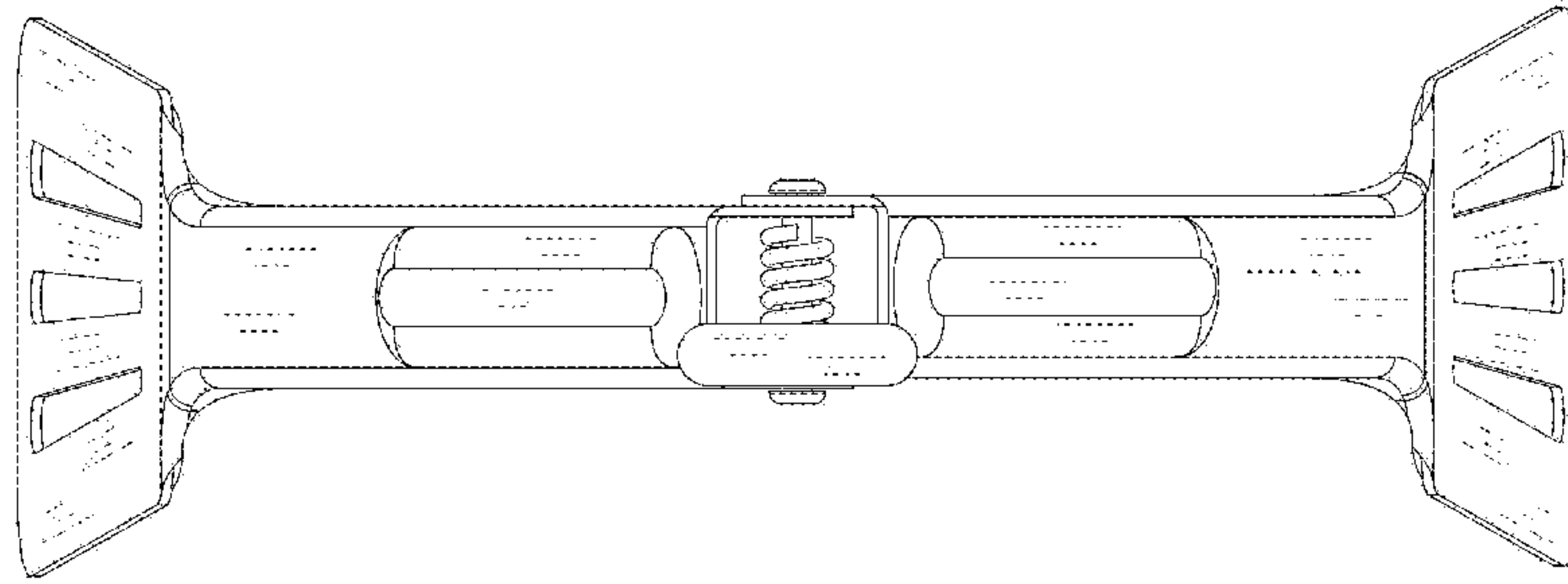


FIG.6

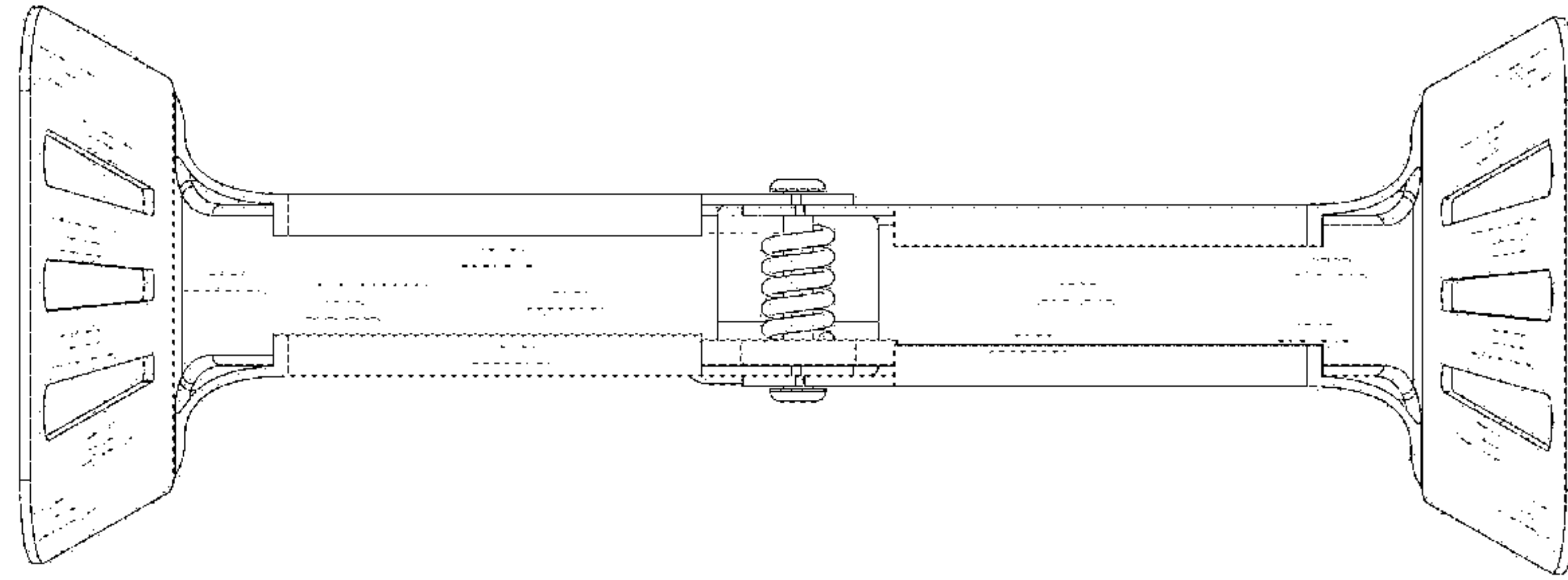


FIG.7