



US00D915156S

(12) **United States Design Patent** (10) **Patent No.:** **US D915,156 S**  
**Wettlaufer et al.** (45) **Date of Patent:** **\*\* Apr. 6, 2021**

(54) **PRESS BOX**  
(71) Applicant: **Goodnature Products, Inc.**, Orchard Park, NY (US)  
(72) Inventors: **Eric Wettlaufer**, Buffalo, NY (US); **Thomas Heyden**, Glenwood, NY (US)

1,841,413 A 1/1932 Macchia  
2,022,679 A 12/1935 Leo  
2,068,013 A 1/1937 Fridlender et al.  
2,087,435 A 7/1937 Hubbert  
2,416,043 A 2/1947 Bucher-Guyer  
(Continued)

(73) Assignee: **Goodnature Products, Inc.**, Orchard Park, NY (US)

FOREIGN PATENT DOCUMENTS

CH 359346 12/1961  
CN 201115592 9/2008

(\*\*) Term: **15 Years**

(Continued)

(21) Appl. No.: **29/750,606**

OTHER PUBLICATIONS

(22) Filed: **Sep. 15, 2020**

Norwalk. 2014. Model 280 Features. Retrieved on Oct. 9, 2015 from <http://www.norwalkjuicers.com/features/>.

(51) **LOC (13) Cl.** ..... **31-00**

(Continued)

(52) **U.S. Cl.**

USPC ..... **D7/665**

(58) **Field of Classification Search**

USPC ..... D7/665, 666, 378, 370, 384, 386, 412  
CPC ..... A47J 19/023; A47J 19/02; A47J 19/027;  
A47J 19/06; A47J 19/00; A47J 19/025;  
A47J 43/00; A47J 43/042; A47J 43/07;  
A47J 2043/04454; A23N 1/02; A23N  
1/003; A23N 1/00; A23N 1/006

*Primary Examiner* — Terry A Wallace

(74) *Attorney, Agent, or Firm* — Knobbe, Martens, Olson & Bear LLP

See application file for complete search history.

(57) **CLAIM**

The ornamental design for a press box, as shown and described.

(56) **References Cited**

DESCRIPTION

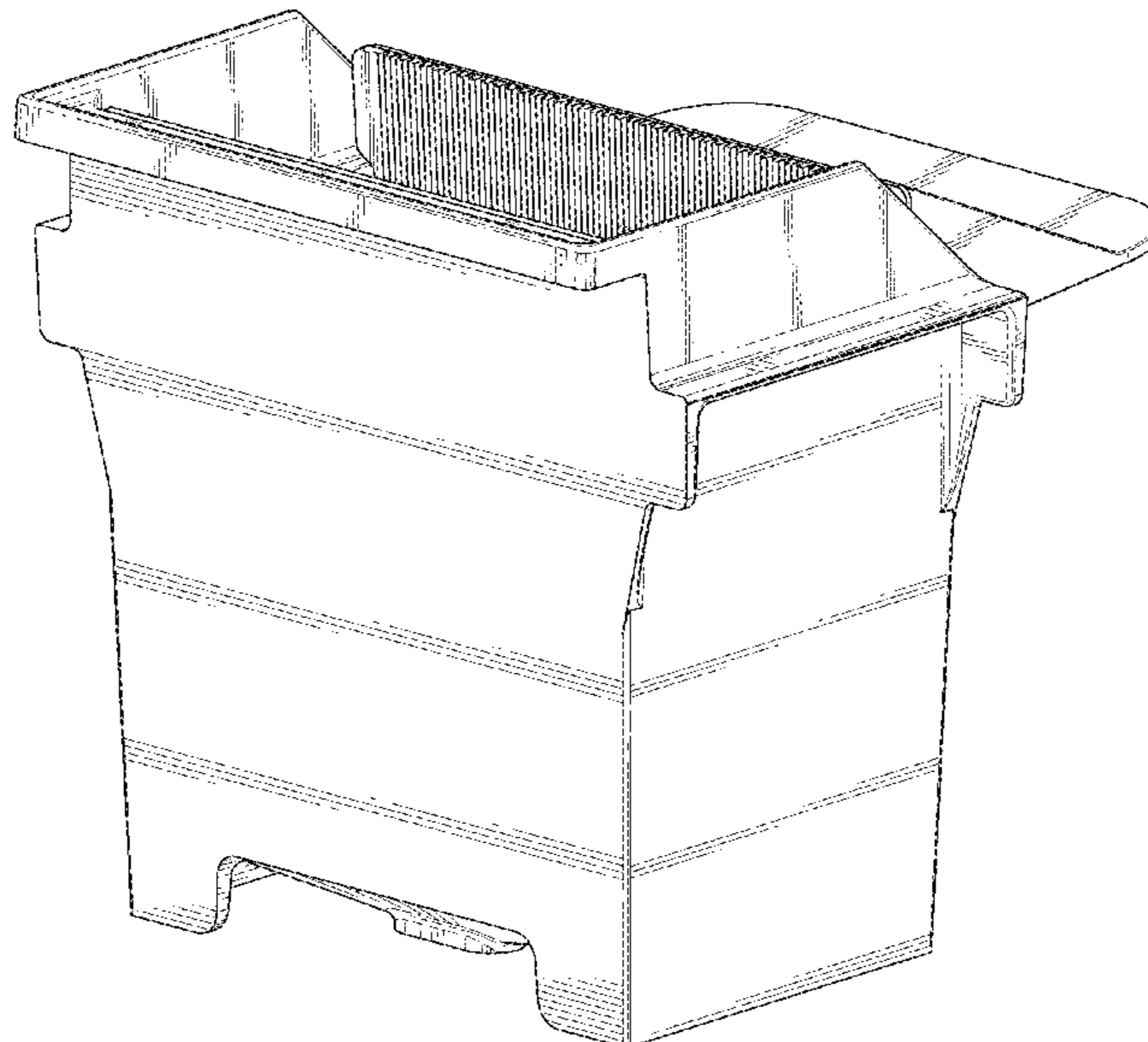
U.S. PATENT DOCUMENTS

18,895 A 12/1857 Eiberweiser  
194,457 A 8/1877 Newsam  
241,348 A 5/1881 Gilbert  
250,979 A 12/1881 Russell  
260,542 A 7/1882 Dannecker  
630,669 A 8/1899 Green  
729,807 A 6/1903 Stoveken et al.  
929,717 A 8/1909 Self  
982,516 A 1/1911 Marks  
1,130,701 A 3/1915 Berrigan  
1,131,032 A 3/1915 Berrigan  
1,456,257 A 5/1923 Stevenson

FIG. 1 is a top, front, left-side perspective view of a press box embodying our design;  
FIG. 2 is a bottom, rear, right-side perspective view thereof;  
FIG. 3 is a front view thereof;  
FIG. 4 is a rear view thereof;  
FIG. 5 is a right-side view thereof;  
FIG. 6 is a left-side view thereof;  
FIG. 7 is a top view thereof; and,  
FIG. 8 is a bottom view thereof.

The press box is designed for use in a food preparation device, such as a juicing device.

**1 Claim, 8 Drawing Sheets**



(56)

References Cited

U.S. PATENT DOCUMENTS

2,612,100 A 9/1952 Bates  
 3,032,087 A 5/1962 Rodwick  
 3,154,122 A 10/1964 Batchelor et al.  
 3,162,384 A 12/1964 Wright  
 3,334,790 A 8/1967 Eaton  
 4,191,103 A 3/1980 Wettlaufer  
 4,214,519 A 7/1980 Stollenwerk  
 4,367,667 A 1/1983 Shibata  
 4,393,737 A 7/1983 Shibata  
 4,420,404 A 12/1983 Coate et al.  
 4,456,185 A 6/1984 Ribassin et al.  
 4,539,793 A 9/1985 Malek  
 4,674,690 A 6/1987 Ponikwia et al.  
 4,680,808 A 7/1987 Paleschuck  
 4,730,555 A 3/1988 Blanchot  
 4,778,117 A 10/1988 Karg  
 4,892,665 A 1/1990 Wettlaufer  
 4,986,912 A 1/1991 Fisch  
 5,031,524 A 7/1991 Wettlaufer  
 5,045,186 A 9/1991 Takashima  
 5,146,848 A 9/1992 Dufour  
 5,205,498 A 4/1993 Ostermeier et al.  
 5,207,152 A 5/1993 Wettlaufer  
 5,267,509 A 12/1993 Wettlaufer  
 5,275,097 A 1/1994 Wettlaufer  
 5,340,036 A 8/1994 Riley  
 5,356,083 A 10/1994 Wettlaufer  
 5,533,681 A 7/1996 Riley  
 5,551,606 A \* 9/1996 Rai ..... B67B 7/28  
 141/329  
 5,613,434 A 3/1997 Hartmann  
 6,123,018 A 9/2000 Wettlaufer et al.  
 6,159,527 A 12/2000 Wettlaufer  
 6,422,138 B1 7/2002 Ballard  
 6,457,403 B1 10/2002 Wettlaufer et al.  
 7,337,996 B2 3/2008 Hanson et al.  
 7,448,317 B2 11/2008 Pinnow  
 7,607,599 B2 10/2009 Jara-Almonte et al.  
 7,753,297 B2 7/2010 Hanson et al.  
 7,866,583 B2 1/2011 Jara-Almonte  
 8,387,520 B2 3/2013 Backus  
 8,578,846 B2 11/2013 Sherwood  
 9,027,472 B2 5/2015 Bertocchi  
 9,763,470 B2 9/2017 Feinberg et al.  
 9,844,229 B2 12/2017 Wettlaufer et al.  
 9,888,802 B2 2/2018 Holzbauer et al.

10,130,118 B2 \* 11/2018 Contell Albert ..... A47J 19/023  
 2008/0098908 A1 5/2008 Song  
 2008/0116305 A1 5/2008 Hanson et al.  
 2011/0185921 A1 8/2011 Lee  
 2012/0037013 A1 2/2012 Bertocchi  
 2012/0048127 A1 \* 3/2012 Huang ..... A23N 1/02  
 99/503  
 2012/0090478 A1 4/2012 Lin  
 2013/0074708 A1 3/2013 Asbury et al.  
 2014/0224137 A1 8/2014 Wettlaufer et al.  
 2014/0306042 A1 10/2014 Chesack et al.  
 2014/0314918 A1 10/2014 Wettlaufer et al.  
 2015/0257435 A1 9/2015 Feinberg et al.  
 2015/0359256 A1 12/2015 Wettlaufer et al.  
 2015/0374025 A1 12/2015 Evans et al.  
 2016/0199760 A1 \* 7/2016 Wettlaufer ..... B01D 29/353  
 210/232  
 2017/0295982 A1 10/2017 Holzbauer et al.  
 2018/0084818 A1 3/2018 Wettlaufer et al.  
 2018/0103676 A1 4/2018 Wettlaufer et al.  
 2018/0297310 A1 10/2018 Evans et al.  
 2019/0159507 A1 5/2019 Wettlaufer et al.  
 2019/0193359 A1 6/2019 Wettlaufer et al.  
 2020/0367696 A1 11/2020 Wettlaufer et al.

FOREIGN PATENT DOCUMENTS

CN 201245539 5/2009  
 CN 201604303 10/2010  
 CN 202515365 11/2012  
 CN 205727969 11/2016  
 EP 1364558 3/2005  
 EP 1632338 3/2006  
 FR 2806880 10/2001  
 JP 2006-094902 4/2006  
 JP 2015039493 3/2015  
 KR 20030004642 1/2003  
 WO WO 2015/191738 12/2015  
 WO WO 2019/108979 6/2019  
 WO WO 2019/112901 6/2019  
 WO WO 2019/126717 6/2019

OTHER PUBLICATIONS

Norwalk. 2014. Model 280 Technical Specifications. Retrieved on Oct. 9, 2015 from <http://www.norwalkjuicers.com/technical-specs/>.

\* cited by examiner

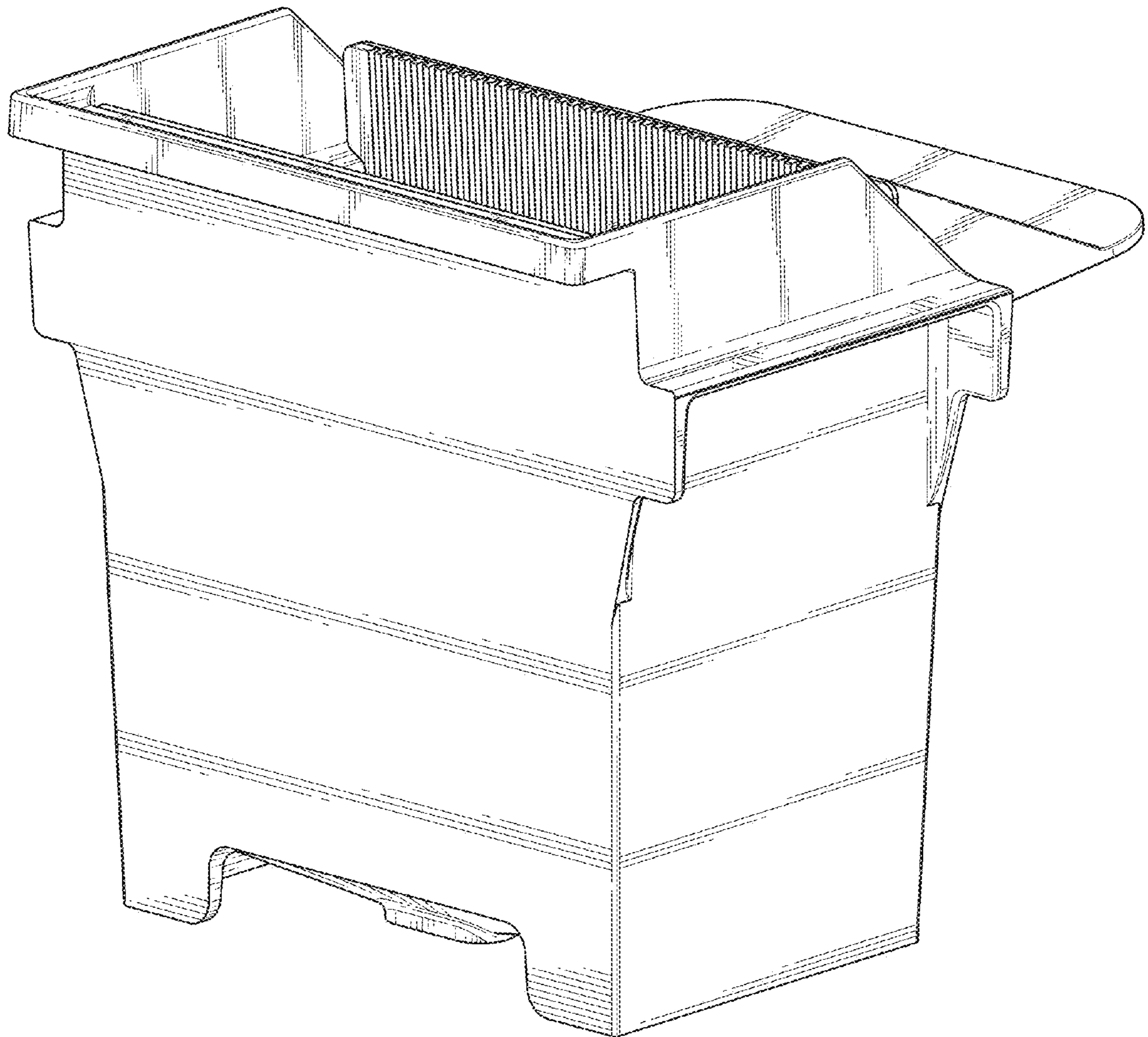


FIG. 1

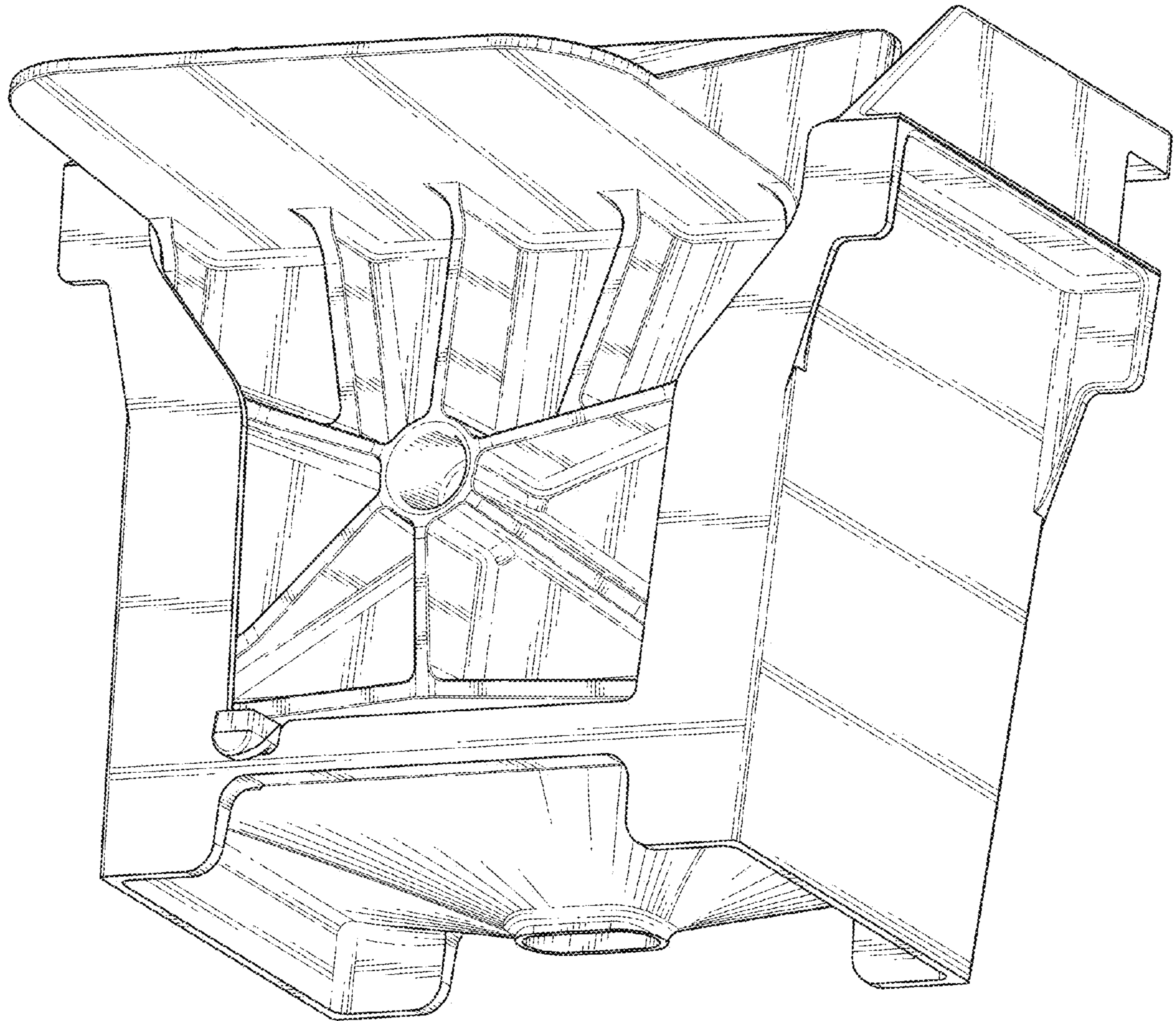


FIG. 2

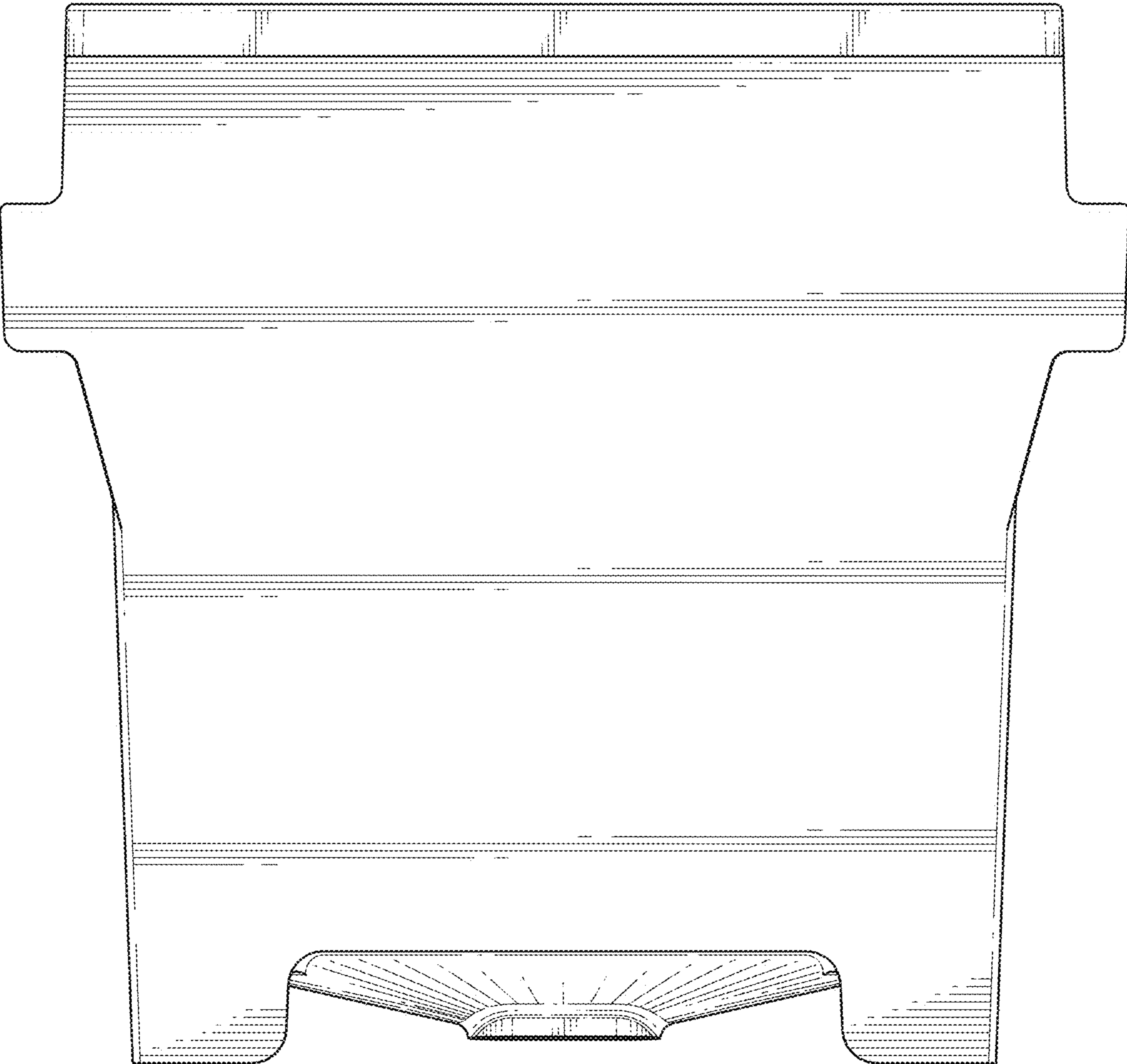


FIG. 3

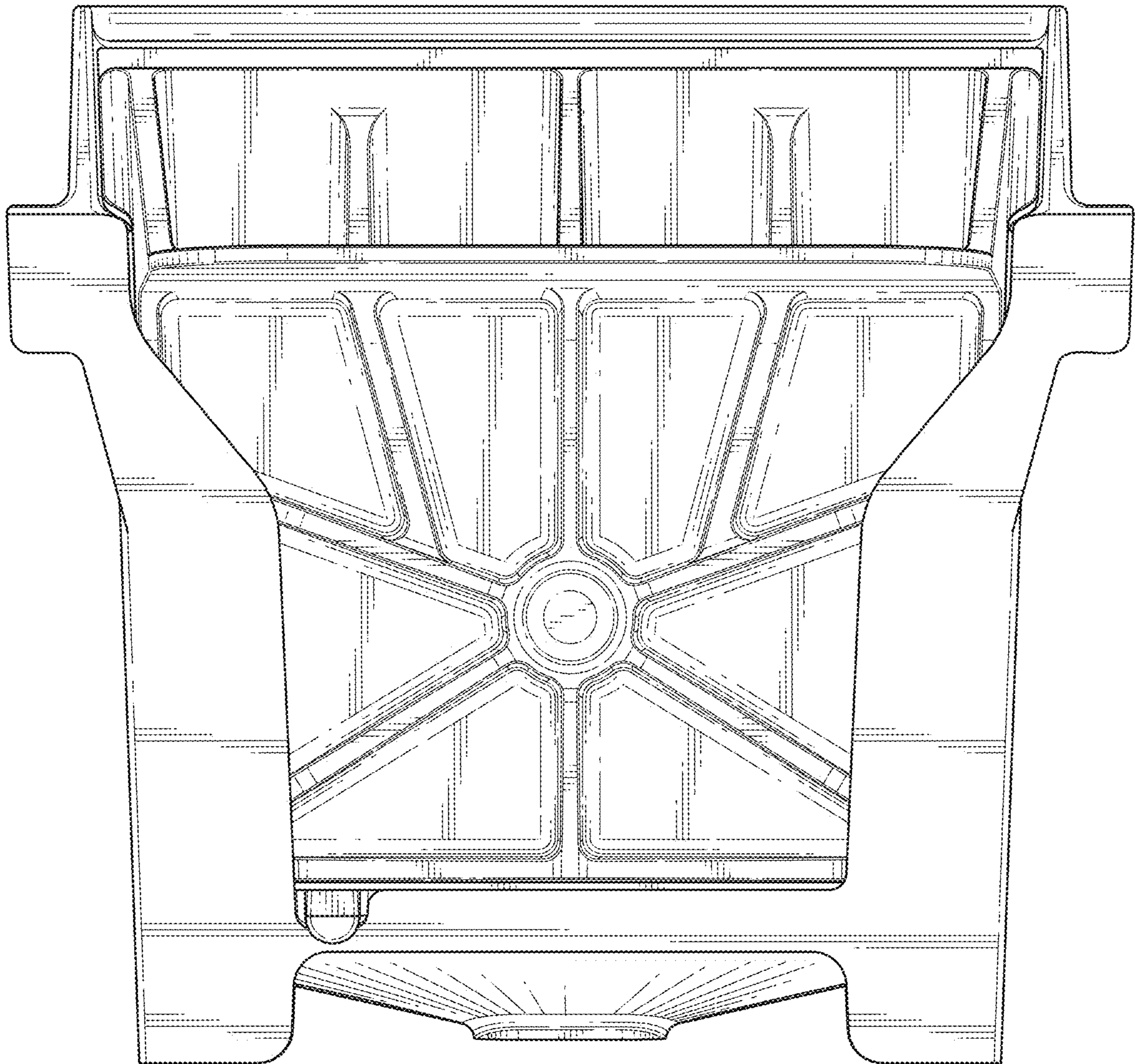


FIG. 4

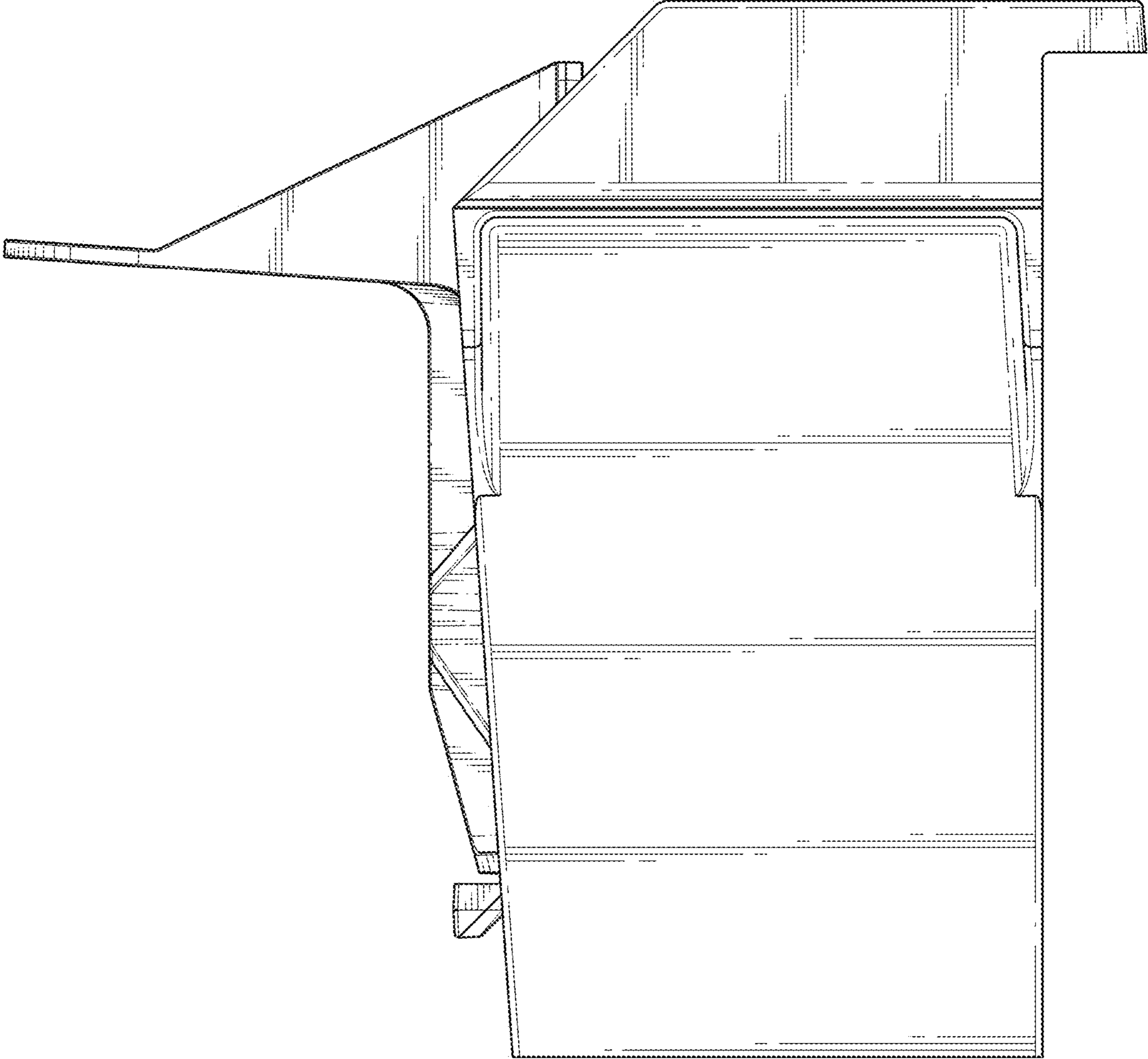


FIG. 5

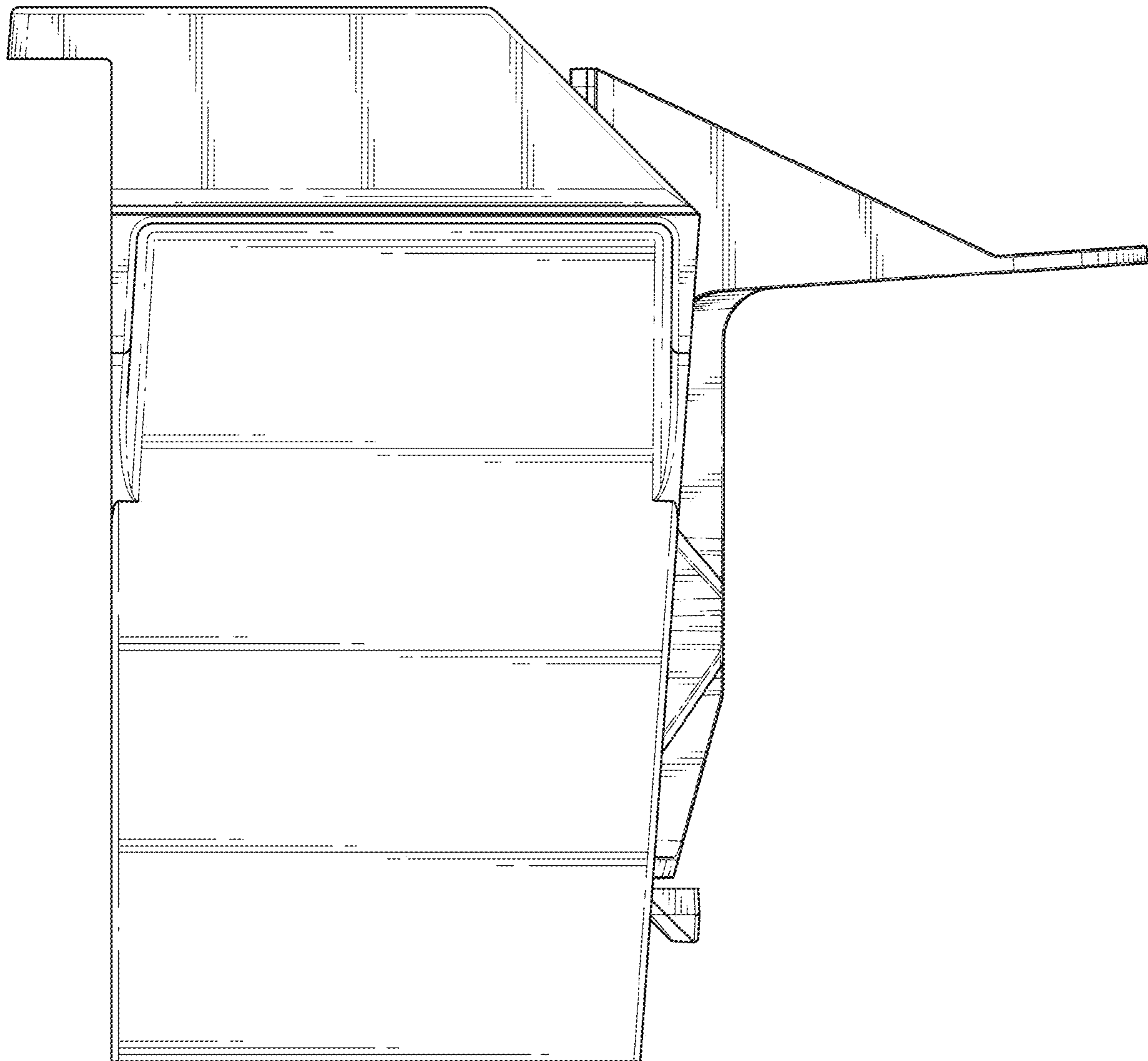


FIG. 6



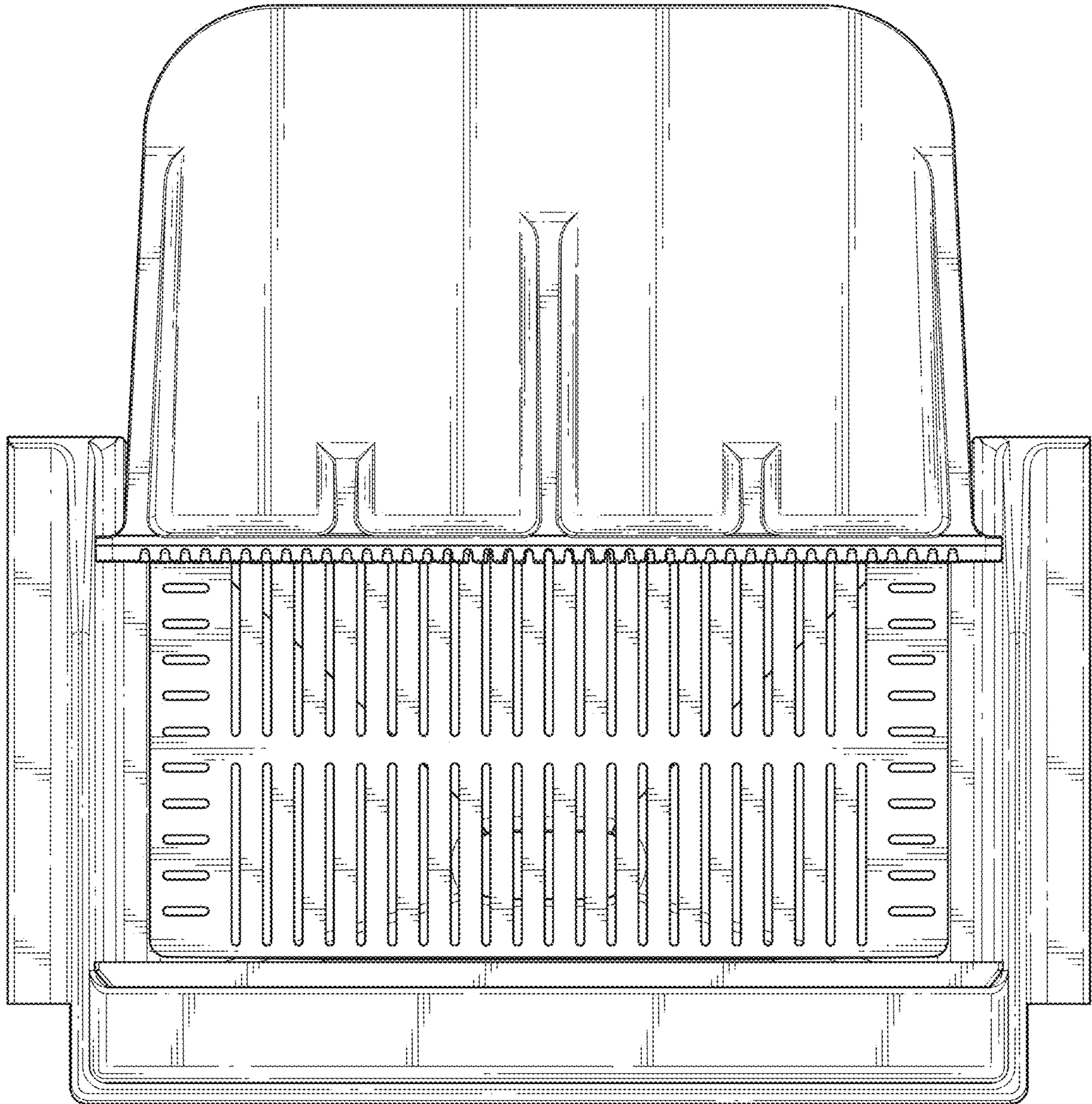


FIG. 7

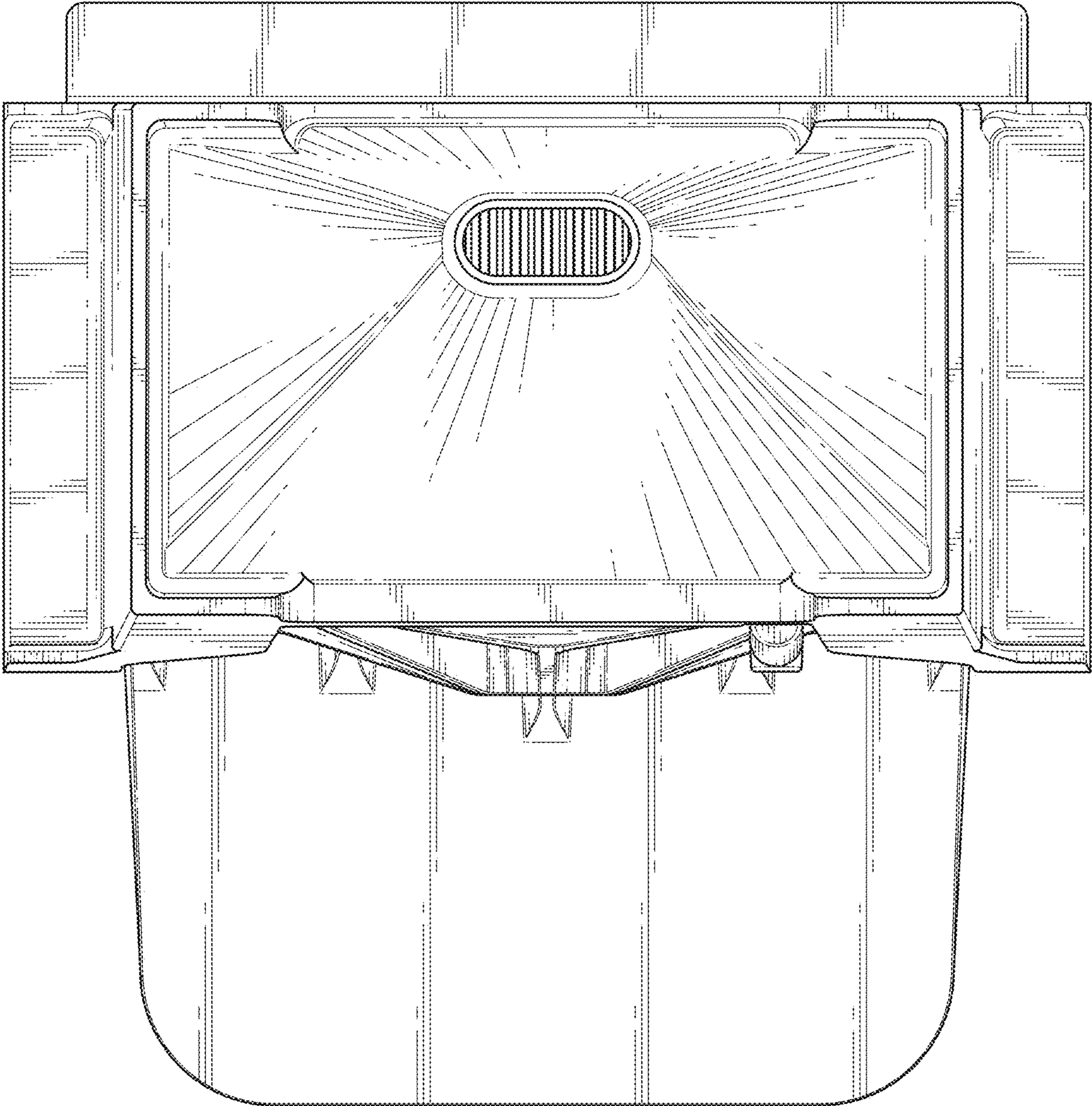


FIG. 8