



US00D915155S

(12) **United States Design Patent**
Sexton

(10) **Patent No.:** **US D915,155 S**

(45) **Date of Patent:** **** Apr. 6, 2021**

(54) **PLATE WITH UTENSIL HOLDERS**

(71) Applicant: **Lennie Sexton**, China Grove, NC (US)

(72) Inventor: **Lennie Sexton**, China Grove, NC (US)

(**) Term: **15 Years**

(21) Appl. No.: **29/666,563**

(22) Filed: **Oct. 15, 2018**

(51) **LOC (13) Cl.** **07-03**

(52) **U.S. Cl.**

USPC **D7/642**; D7/645

(58) **Field of Classification Search**

USPC D7/368, 396.5, 401.2, 507, 565, 585,
D7/586, 642-645, 653-664, 669,
D7/675-677, 683, 688-689, 691;
D8/107, 300-301; D22/117-118

CPC ... A01D 9/02; A01D 9/04; A01D 9/06; A47G
19/06; A47G 21/00; A47G 21/004; A47G
21/005; A47G 21/02; A47G 21/023;
A47G 21/04; A47G 21/06; A47G 21/08;
A47J 43/28; A47J 43/281; A47J 43/282;
A61F 13/10; A61J 7/0023; B25G 1/00;
B25G 1/01; B25G 1/02; B25G 3/00;
B65D 75/56; B65D 75/563; B65D
75/566; B67B 7/00; B67B 7/724; B67B
7/73

See application file for complete search history.

(56) **References Cited**

U.S. PATENT DOCUMENTS

1,827,062 A * 10/1931 Austin A21B 3/137
99/433
D95,752 S * 5/1935 Kaiser D7/585

D434,277 S * 11/2000 Martel D7/586
D518,682 S * 4/2006 Hayes D7/396.1
D519,317 S * 4/2006 Hayes D7/396.5
D520,812 S * 5/2006 Hayes D7/396.1
D533,749 S * 12/2006 Guzzini D7/565
D546,621 S * 7/2007 Hayes D7/396.1
D559,036 S * 1/2008 Hayes D7/396.1
D688,526 S * 8/2013 Montgomery D7/586
D837,596 S * 1/2019 Altman D7/507
D869,907 S * 12/2019 Avia D7/585
2012/0248124 A1 * 10/2012 Mitri A47G 19/06
220/574.1

* cited by examiner

Primary Examiner — Ricky Pham

(74) *Attorney, Agent, or Firm* — Olive Law Group PLLC;
Daniel W. Cole

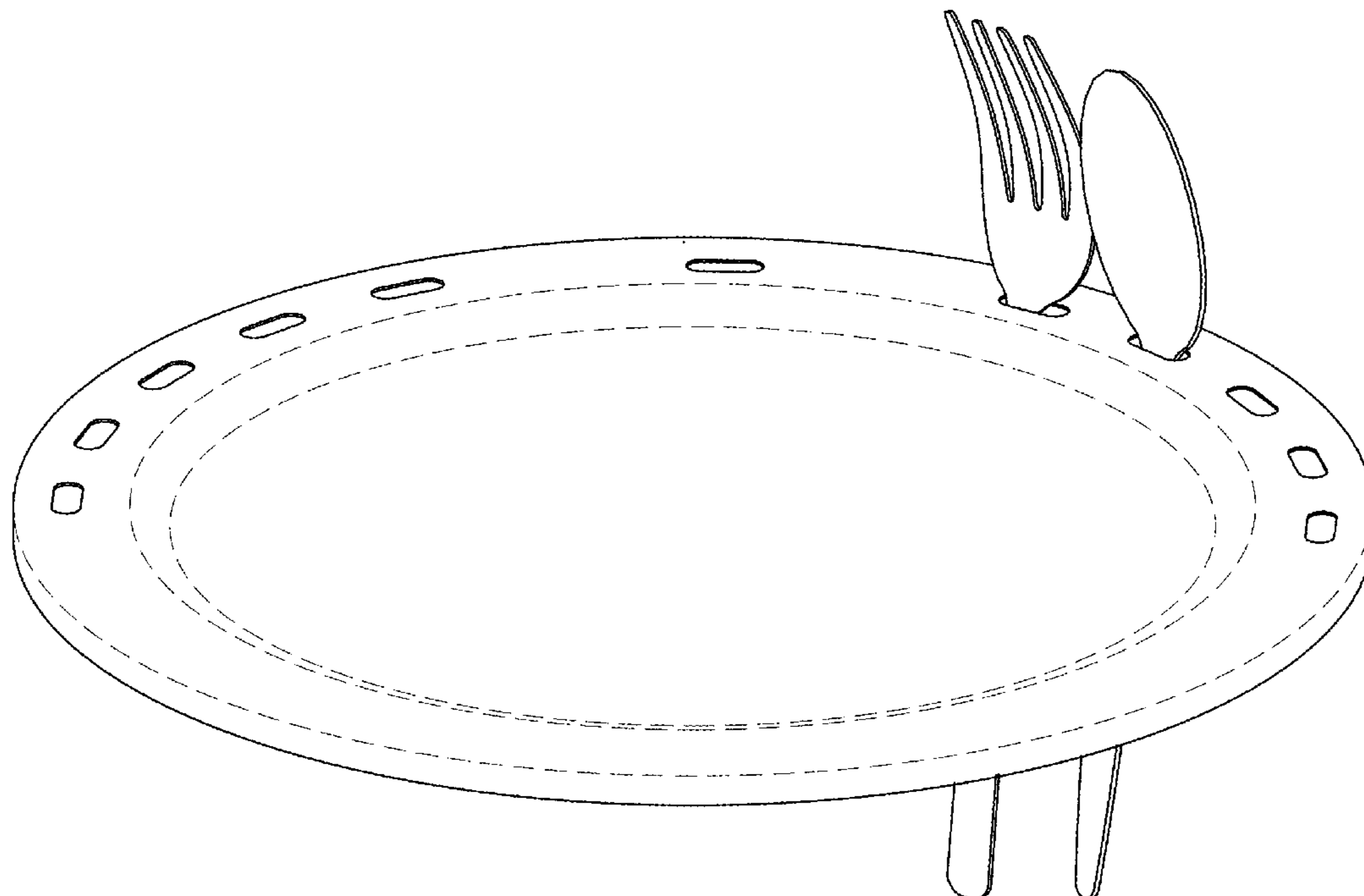
(57) **CLAIM**

I claim the ornamental design for the plate with utensil holders, as shown and described.

DESCRIPTION

FIG. 1 is a side perspective view showing my new design of a plate with utensil holders;
FIG. 2 is a side perspective view thereof, shown without the utensils for completeness of illustration;
FIG. 3 is a bottom perspective view thereof;
FIG. 4 is a top view thereof; and,
FIG. 5 is a bottom view thereof.
The broken lines are included for purpose of illustrating portions of the plate with utensil holders that form no part of the claimed design.
Views not shown are not included in the design.

1 Claim, 5 Drawing Sheets



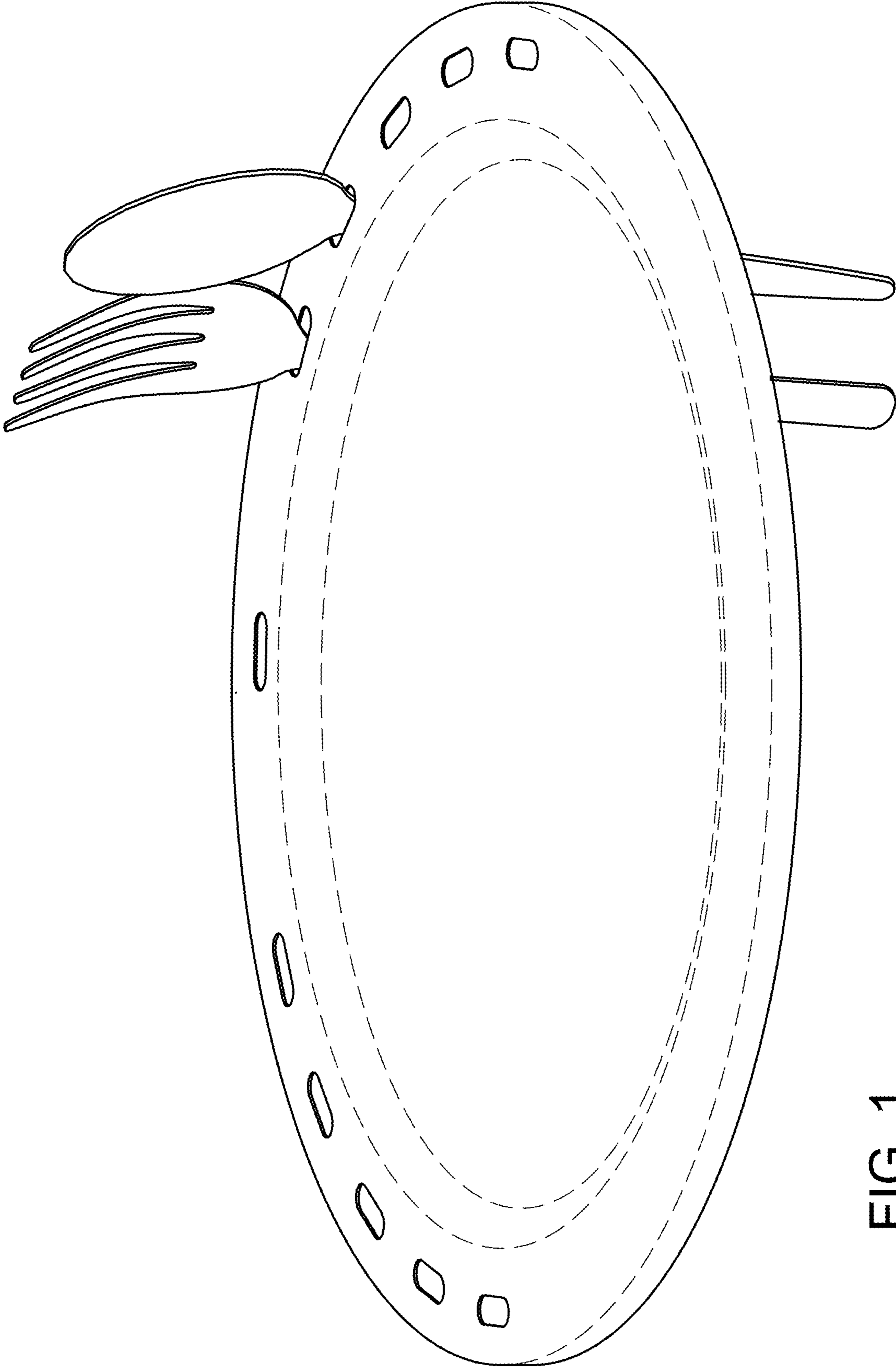


FIG. 1

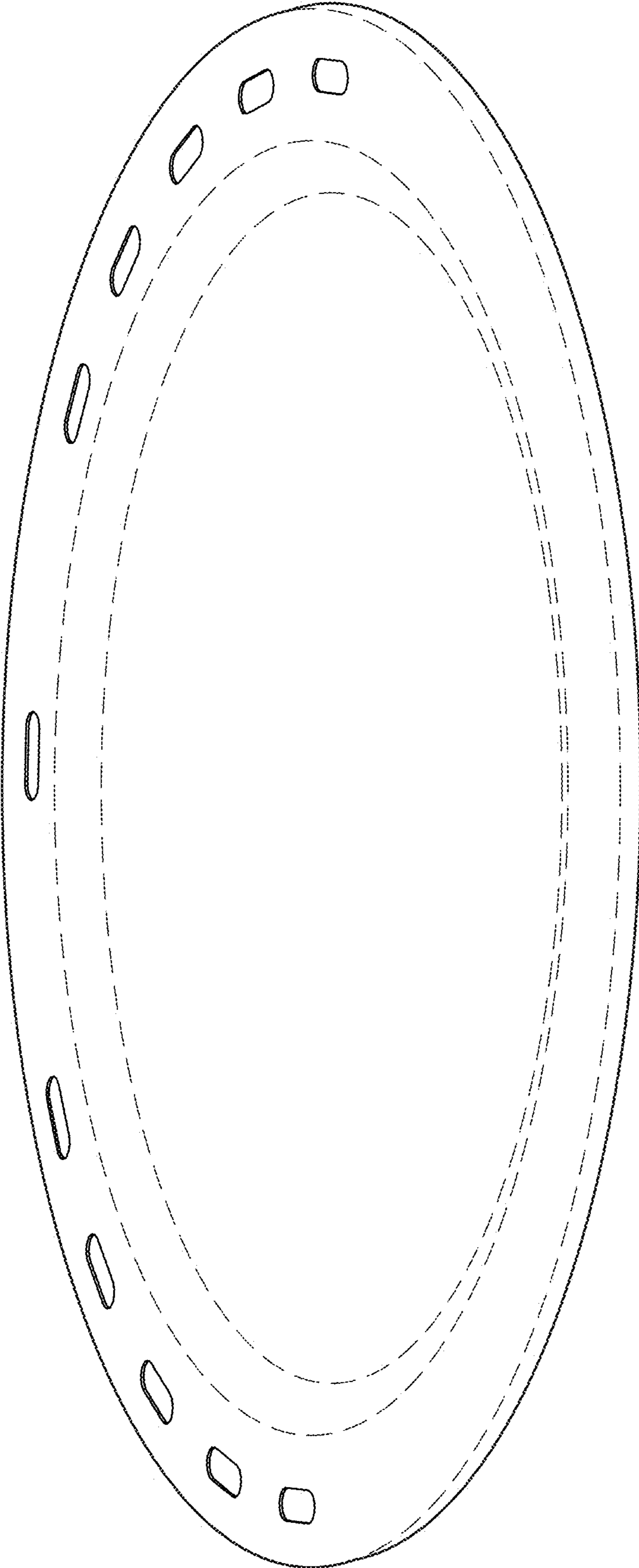


FIG. 2

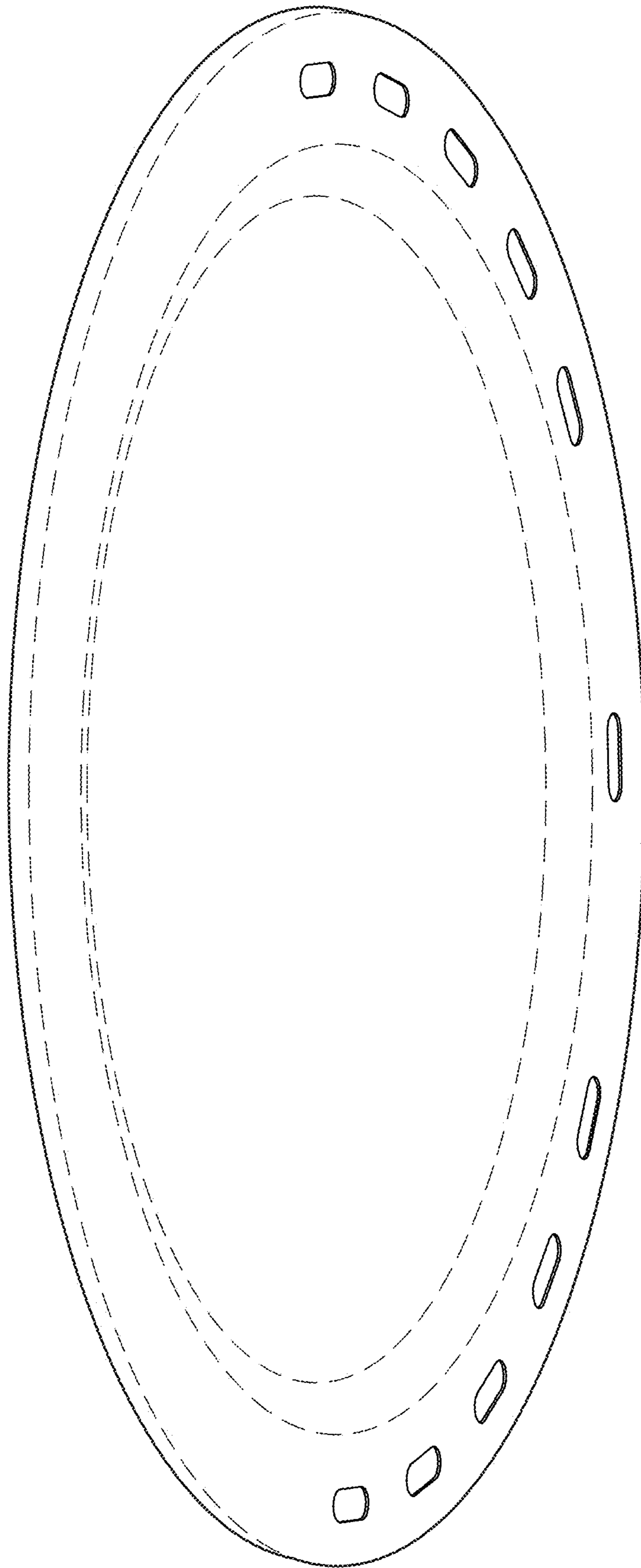


FIG. 3

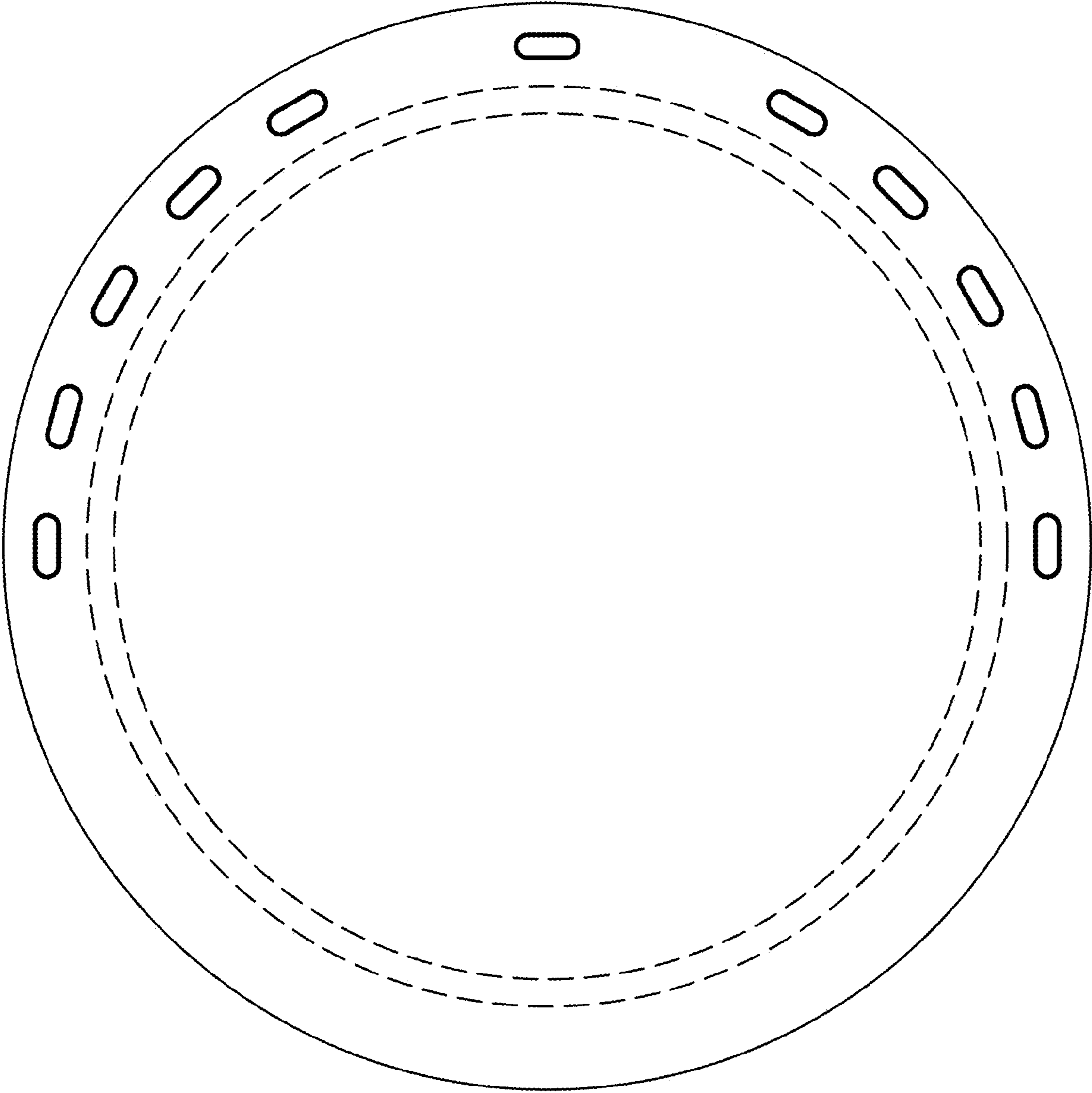


FIG. 4

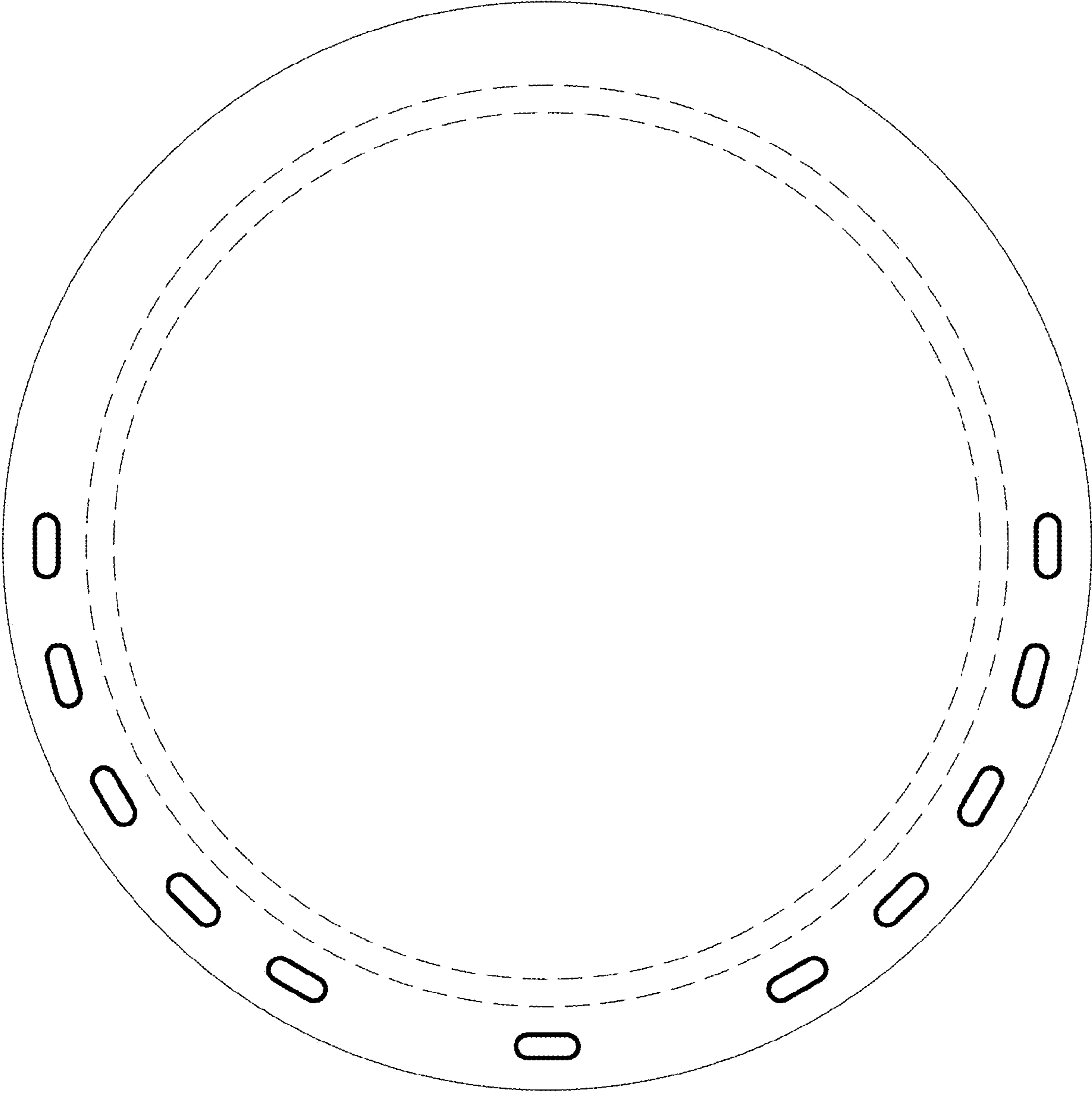


FIG. 5