



US00D915154S

(12) **United States Design Patent** (10) **Patent No.:** **US D915,154 S**
Liu (45) **Date of Patent:** **** Apr. 6, 2021**

- (54) **KNIFE BLOCK**
- (71) Applicant: **Shenzhen Bolton Technology Co., Ltd.**, Shenzhen (CN)
- (72) Inventor: **Huazhu Liu**, Shandong Province (CN)
- (**) Term: **15 Years**
- (21) Appl. No.: **29/736,913**
- (22) Filed: **Jun. 4, 2020**
- (51) **LOC (13) Cl.** **07-99**
- (52) **U.S. Cl.**
USPC **D7/637**
- (58) **Field of Classification Search**
USPC D3/273, 274; D7/631, 637-641, 550.1; D9/420-426, 432; D19/77, 81-86; 206/553, 557, 562, 564; 211/60.1, 70.1, 211/70.7; 220/23.83
CPC A47B 88/20; A47F 7/00; A47G 21/00; A47G 21/14; B26B 3/00
See application file for complete search history.

6,394,627 B1 *	5/2002	Lo	A47G 21/14
				362/127
D471,072 S *	3/2003	Gordner	D7/637
D478,787 S *	8/2003	Logiudice	D7/637
D571,619 S *	6/2008	Abo	D7/637
D764,879 S *	8/2016	Gossens	D7/637
9,693,644 B1 *	7/2017	Liu	B24D 15/084
9,744,649 B2 *	8/2017	Williams	A47G 21/14
D852,003 S	6/2019	Rusch		

* cited by examiner

Primary Examiner — Janice Patyk
 (74) *Attorney, Agent, or Firm* — ZANIP

(57) **CLAIM**

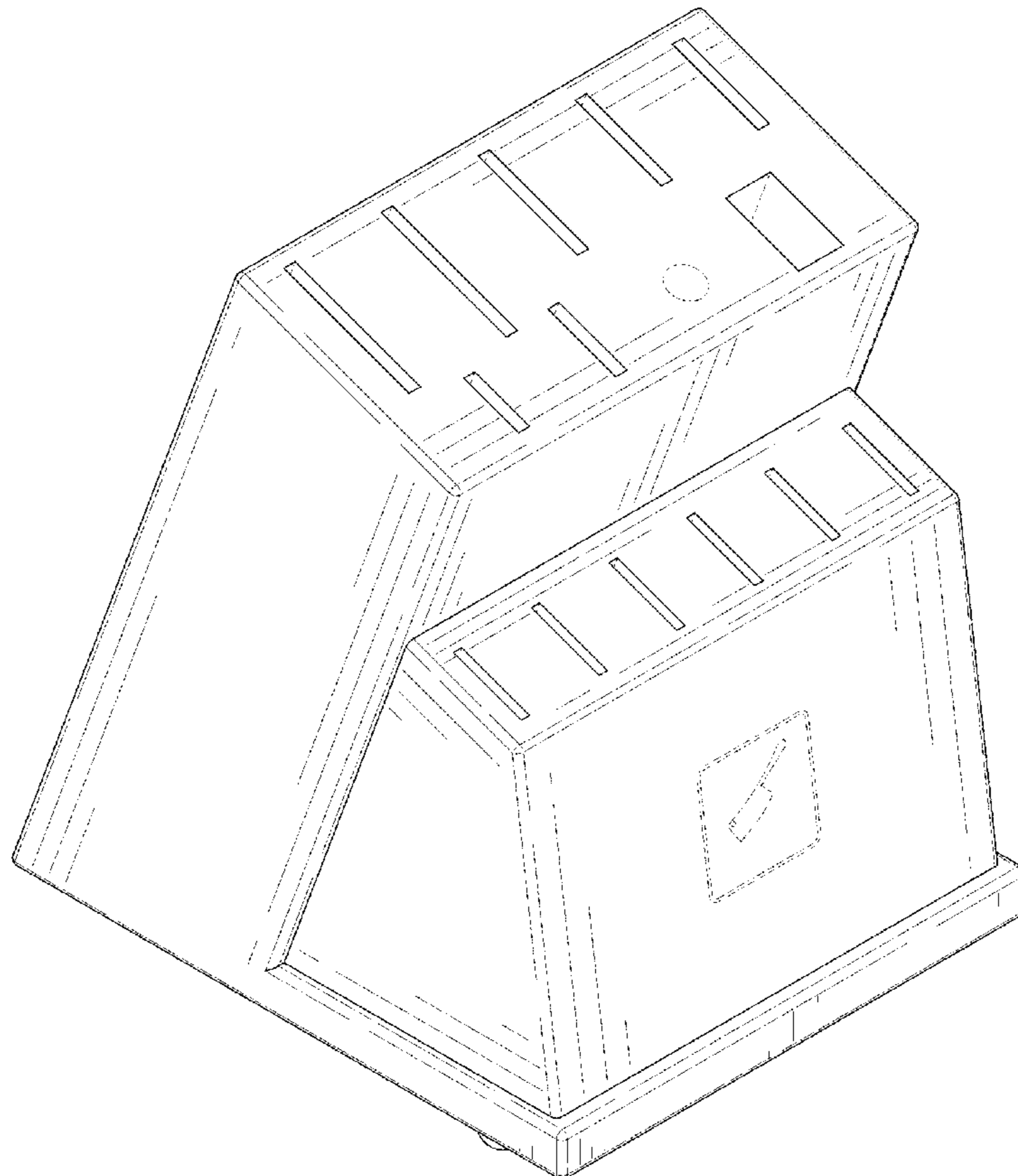
The ornamental design for a knife block, as shown and described.

DESCRIPTION

FIG. 1 is a front, top perspective view of a knife block, showing my new design;
 FIG. 2 is a rear, bottom perspective view thereof;
 FIG. 3 is a front elevational view thereof;
 FIG. 4 is a rear elevational view thereof;
 FIG. 5 is a left side elevational view thereof;
 FIG. 6 is a right side elevational view thereof;
 FIG. 7 is a top plan view thereof;
 FIG. 8 is a bottom plan view thereof; and,
 FIG. 9 is a front, top perspective view thereof, shown in detached condition.
 The broken lines in the figures illustrate portions of the knife block that form no part of the claimed design.

1 Claim, 9 Drawing Sheets

- (56) **References Cited**
 U.S. PATENT DOCUMENTS
 D382,774 S * 8/1997 Cohen D7/637
 D421,879 S * 3/2000 Miller D7/637



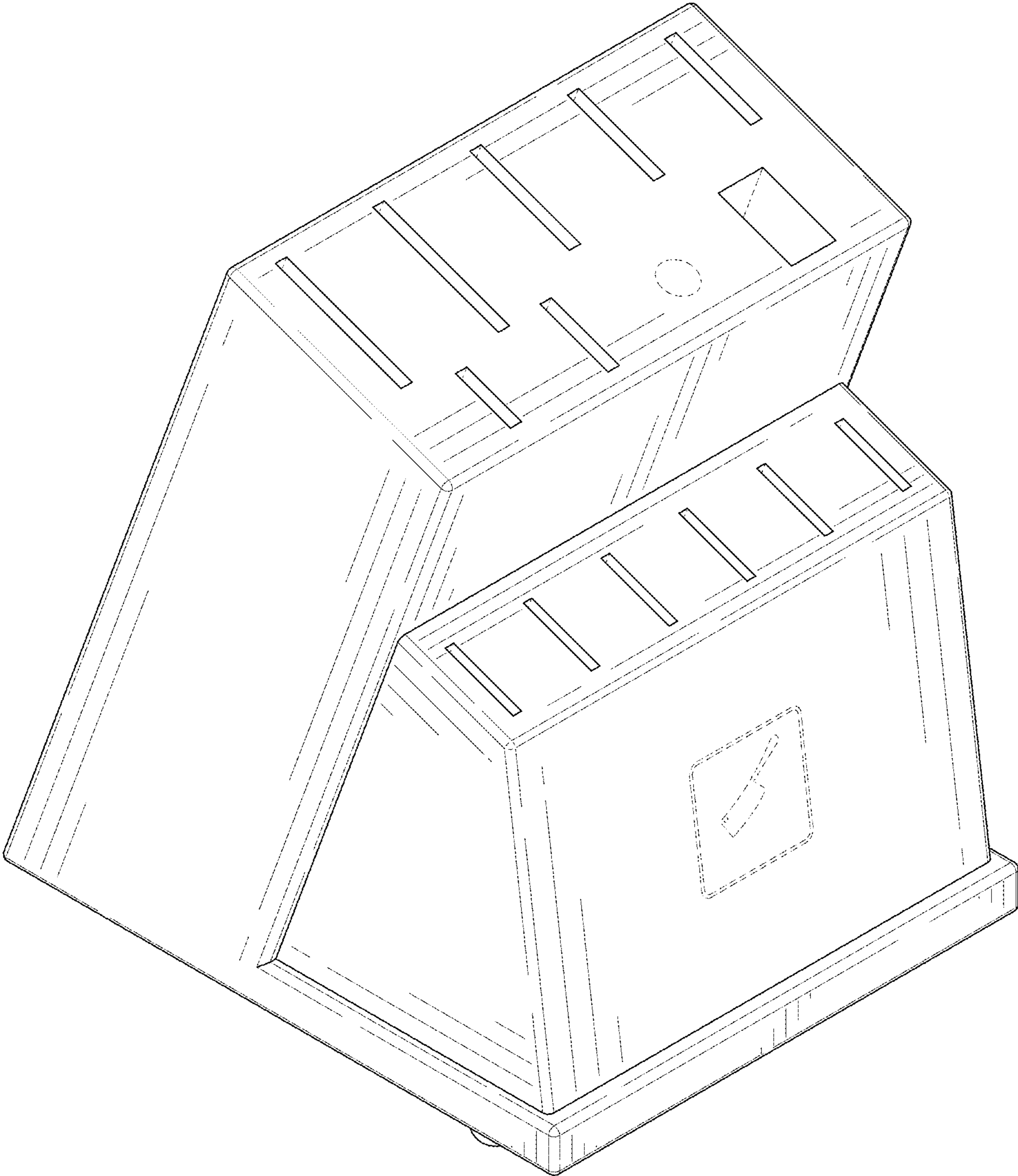


FIG. 1

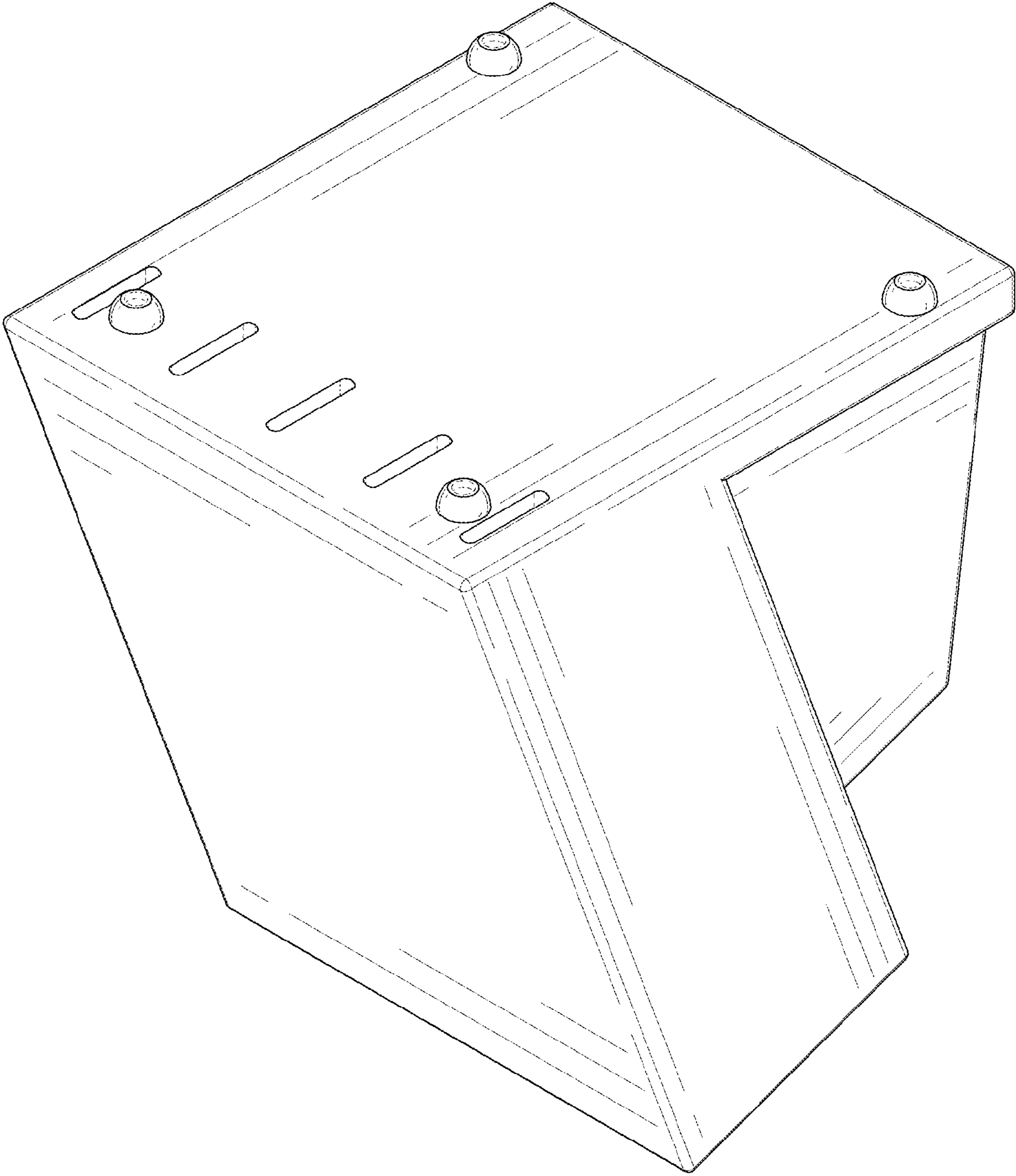


FIG. 2

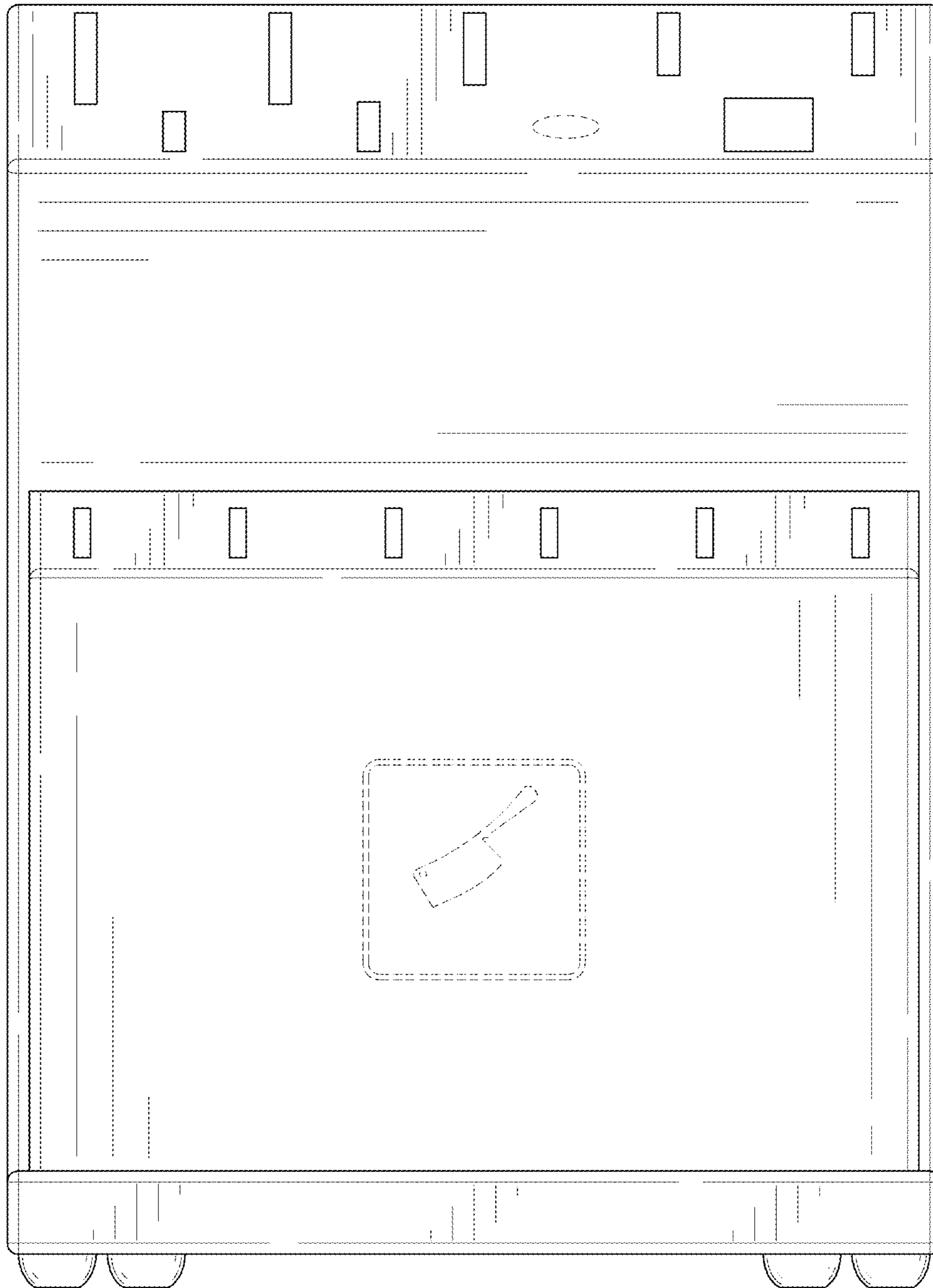


FIG. 3

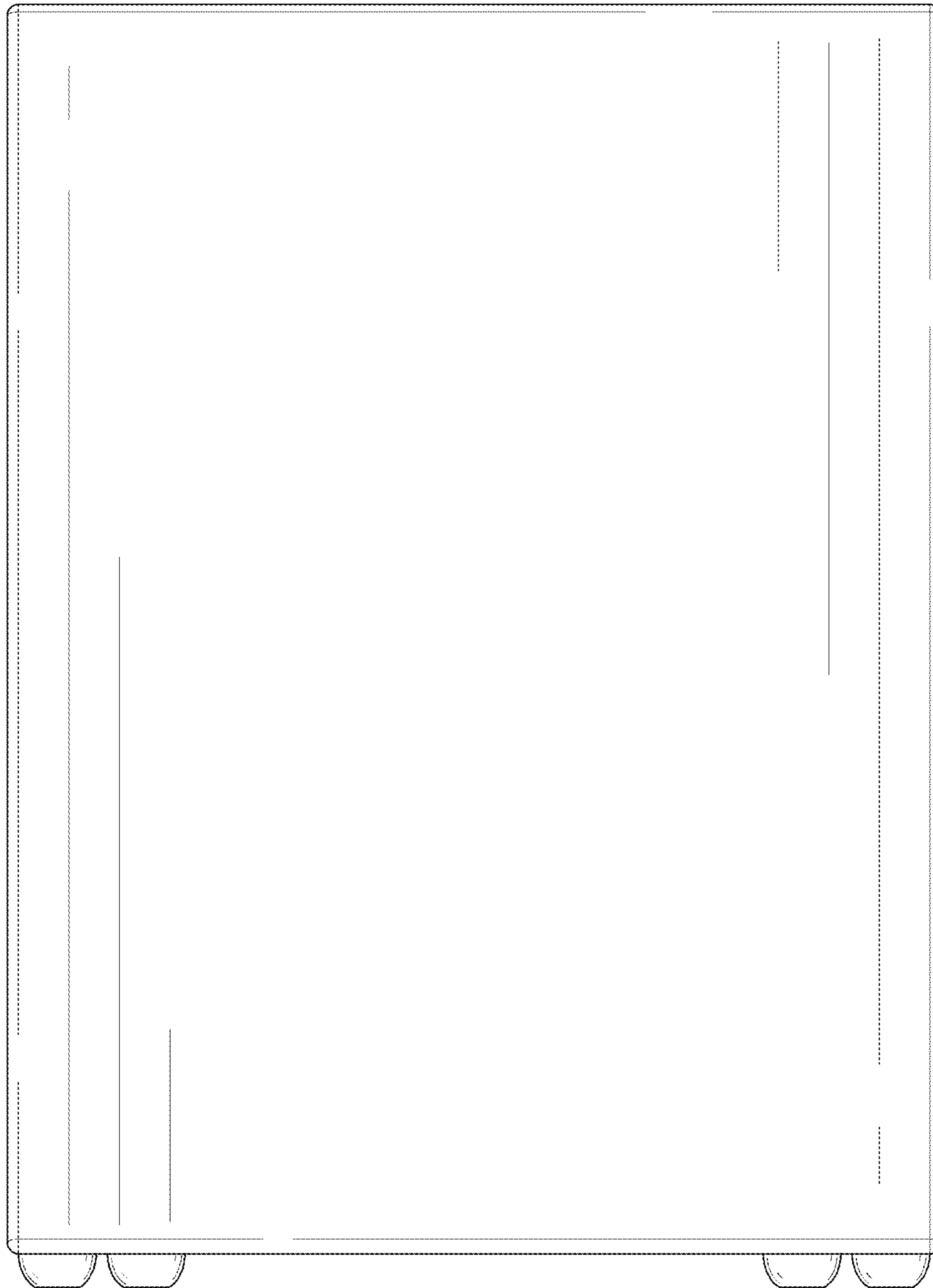


FIG. 4

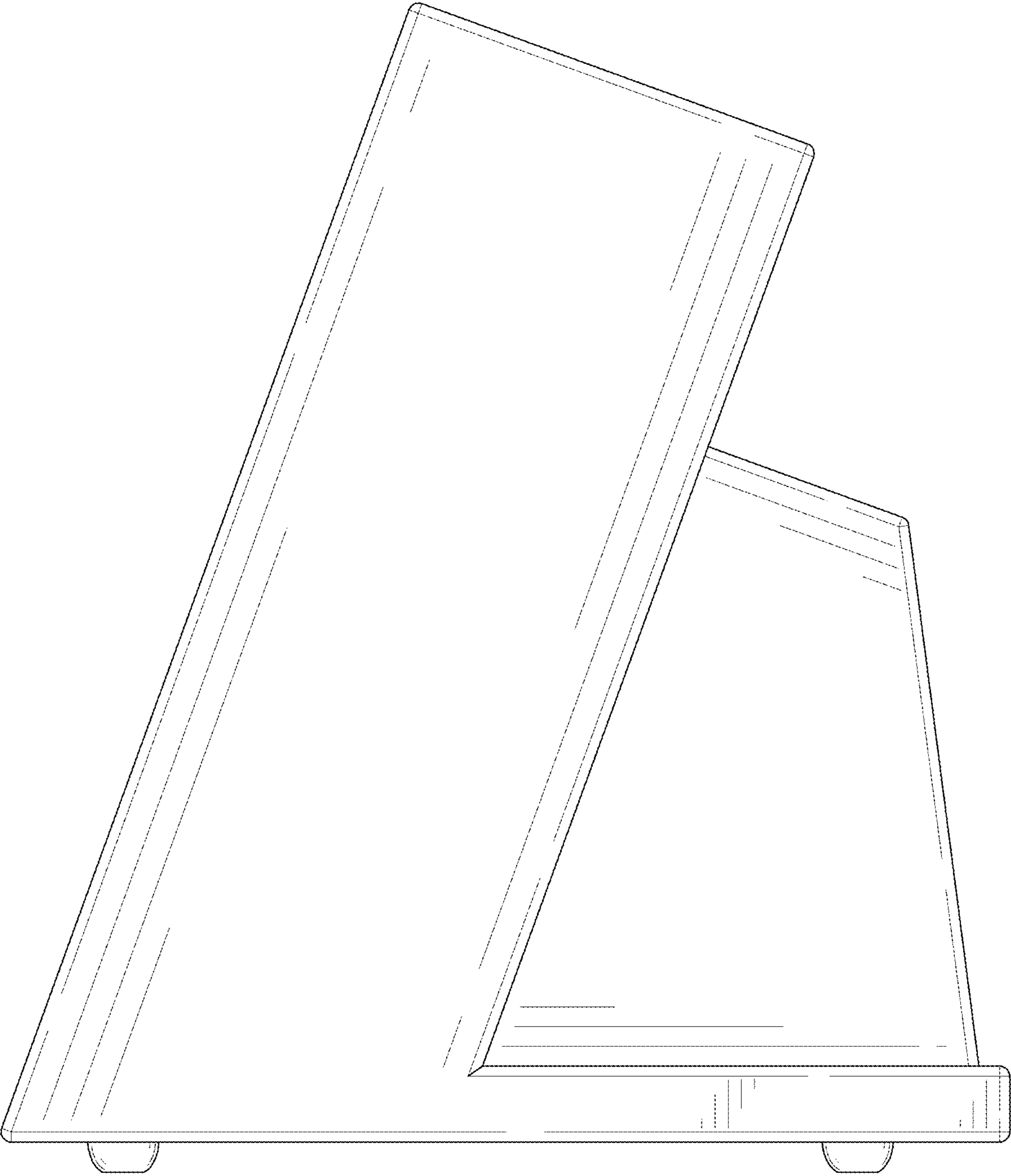


FIG. 5

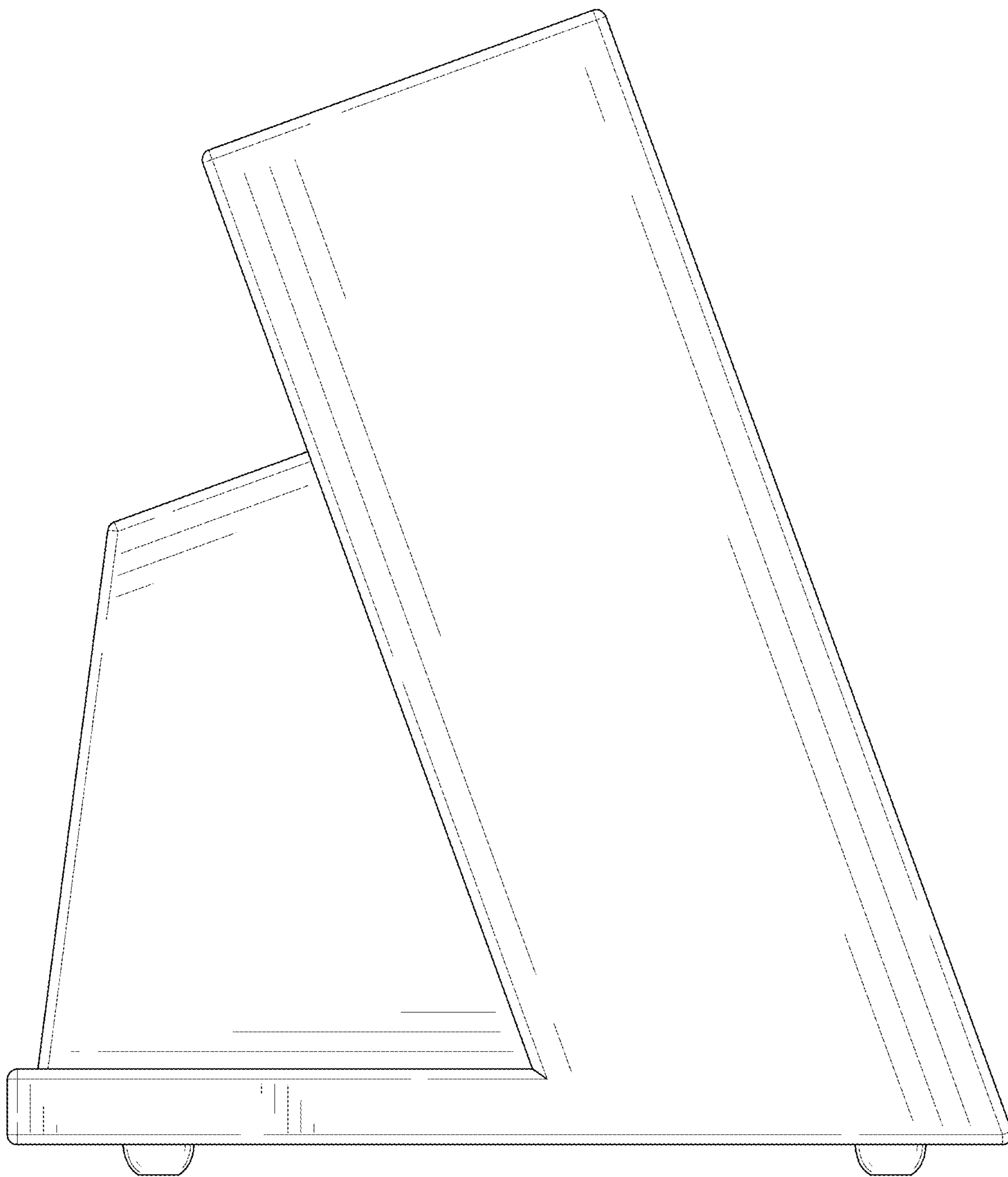


FIG. 6

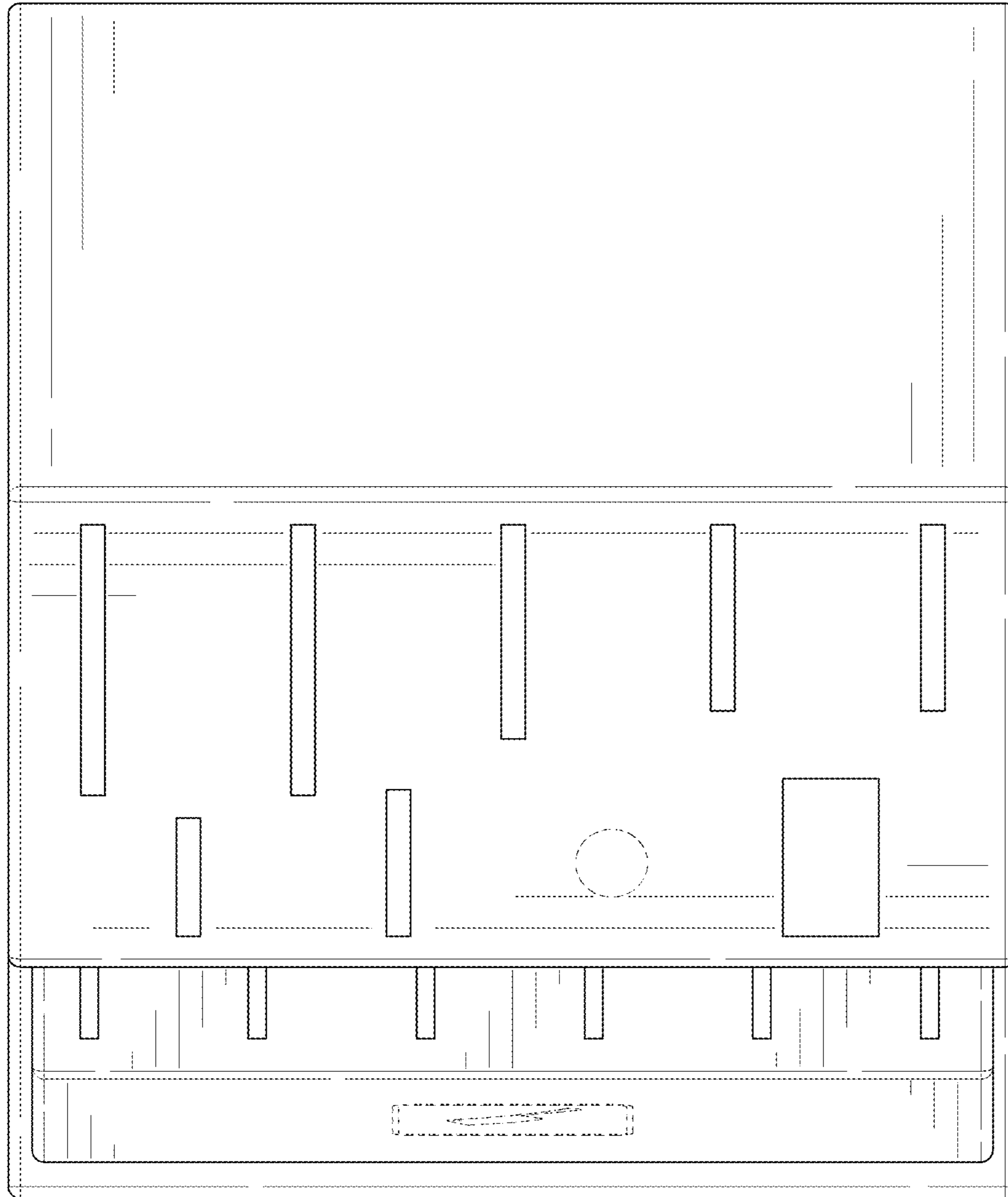


FIG. 7

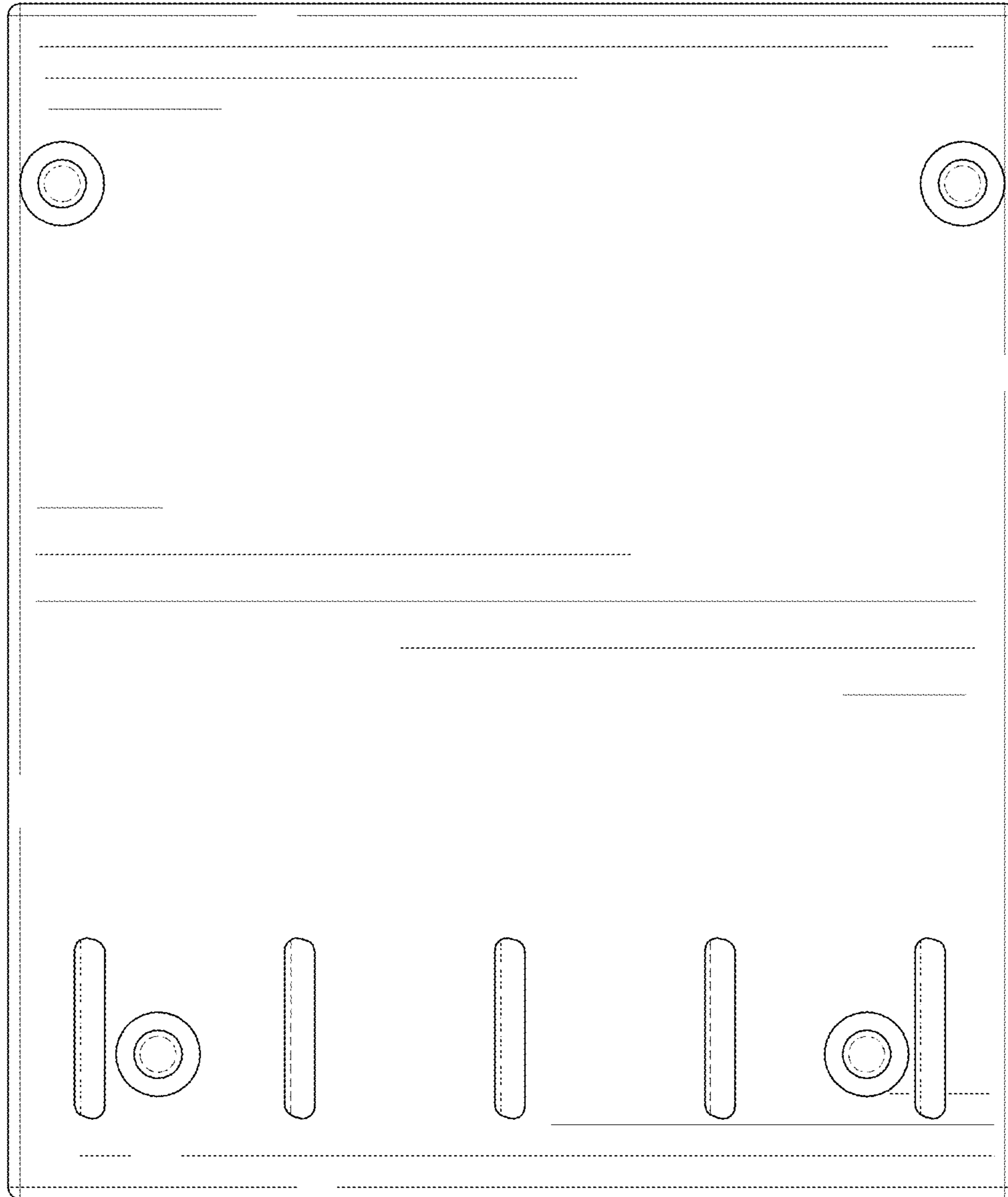


FIG. 8

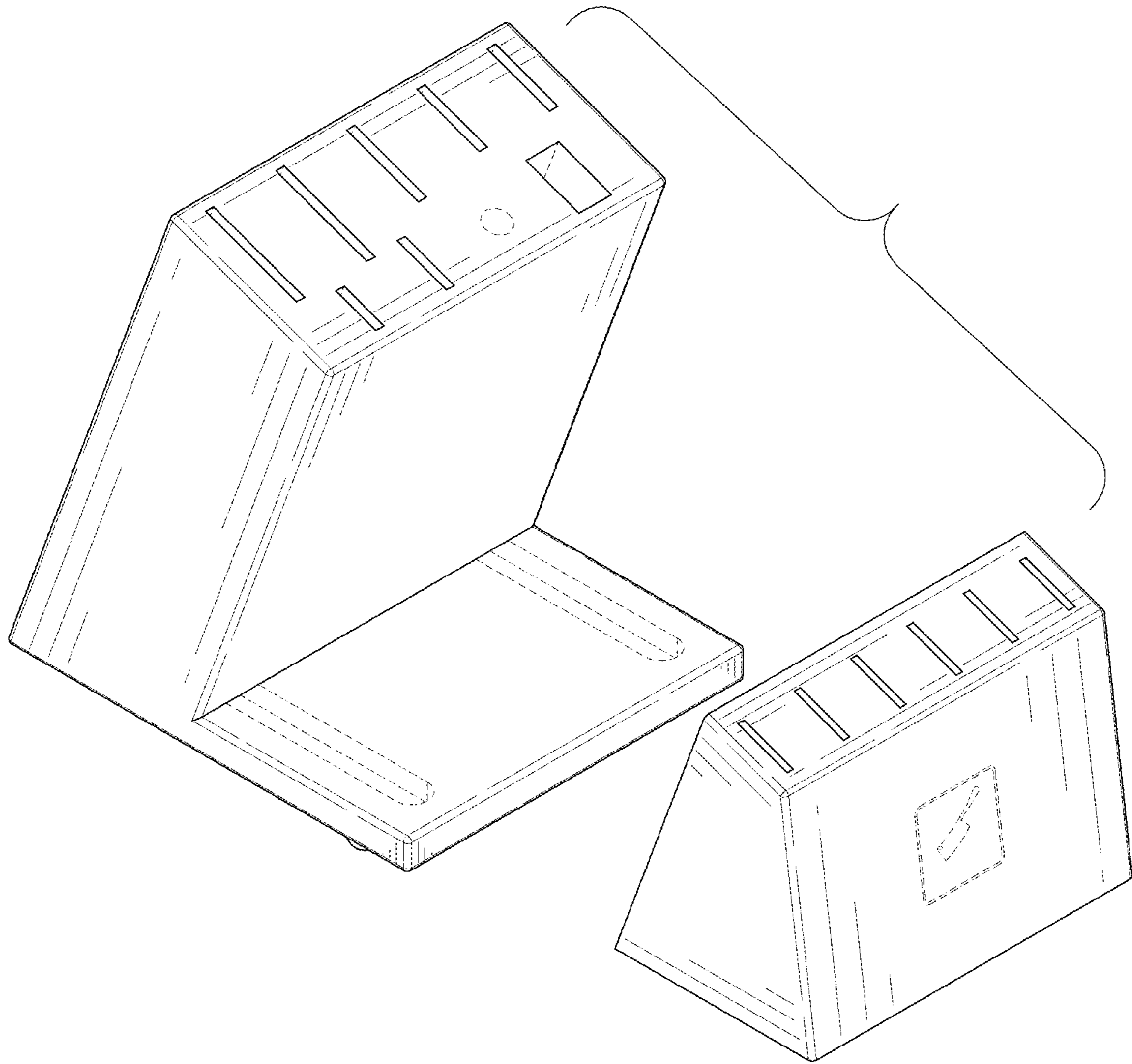


FIG. 9