



US00D915153S

(12) **United States Design Patent** (10) **Patent No.:** **US D915,153 S**  
**Conner** (45) **Date of Patent:** **\*\* Apr. 6, 2021**

(54) **STRAW DISPENSER**

*Primary Examiner* — Janice Patyk

(71) Applicant: **George W. Conner**, Monterey, CA (US)

(74) *Attorney, Agent, or Firm* — Charles L. Thoeming

(72) Inventor: **George W. Conner**, Monterey, CA (US)

(57) **CLAIM**

(\*\*) Term: **15 Years**

The ornamental design for a straw dispenser, as shown and described.

(21) Appl. No.: **29/761,906**

(22) Filed: **Dec. 13, 2020**

**DESCRIPTION**

(51) **LOC (13) Cl.** ..... **07-99**

(52) **U.S. Cl.**  
USPC ..... **D7/635**

(58) **Field of Classification Search**  
USPC ..... D3/304, 306, 316; D6/566, 567, 573, D6/574; D7/631, 635, 637-641; D19/75, D19/81, 83-86, 90, 92  
CPC ..... A47B 88/00; A47G 21/14; A47G 21/16; A47G 21/184; A47G 23/06; A47G 29/087; A47J 45/02; A47J 47/16; B65D 1/34; B65D 1/36  
See application file for complete search history.

FIG. 1 is an exploded top, right-side, front perspective view of embodiment one, of a straw dispenser, showing my new design;

FIG. 2 is an exploded top, right-side, rear perspective view thereof;

FIG. 3 is a top, right-side, front perspective view thereof;

FIG. 4 is a top, right-side, rear perspective view thereof;

FIG. 5 is a top plan view thereof;

FIG. 6 is a right-side elevational view thereof;

FIG. 7 is a bottom plan view thereof;

FIG. 8 is a left side elevational view thereof;

FIG. 9 is a front elevational view thereof;

FIG. 10 is a rear elevational view thereof;

FIG. 11 is a top, right-side, front perspective view of embodiment two, of a straw dispenser, showing my new design;

FIG. 12 is a top plan view thereof;

FIG. 13 is a right-side elevational view thereof;

FIG. 14 is a bottom plan view thereof;

FIG. 15 is a left side elevational view thereof;

FIG. 16 is a front elevational view thereof; and,

FIG. 17 is a back elevational view thereof.

The broken lines in the figures illustrate the portions of the design that form no part of the claimed design.

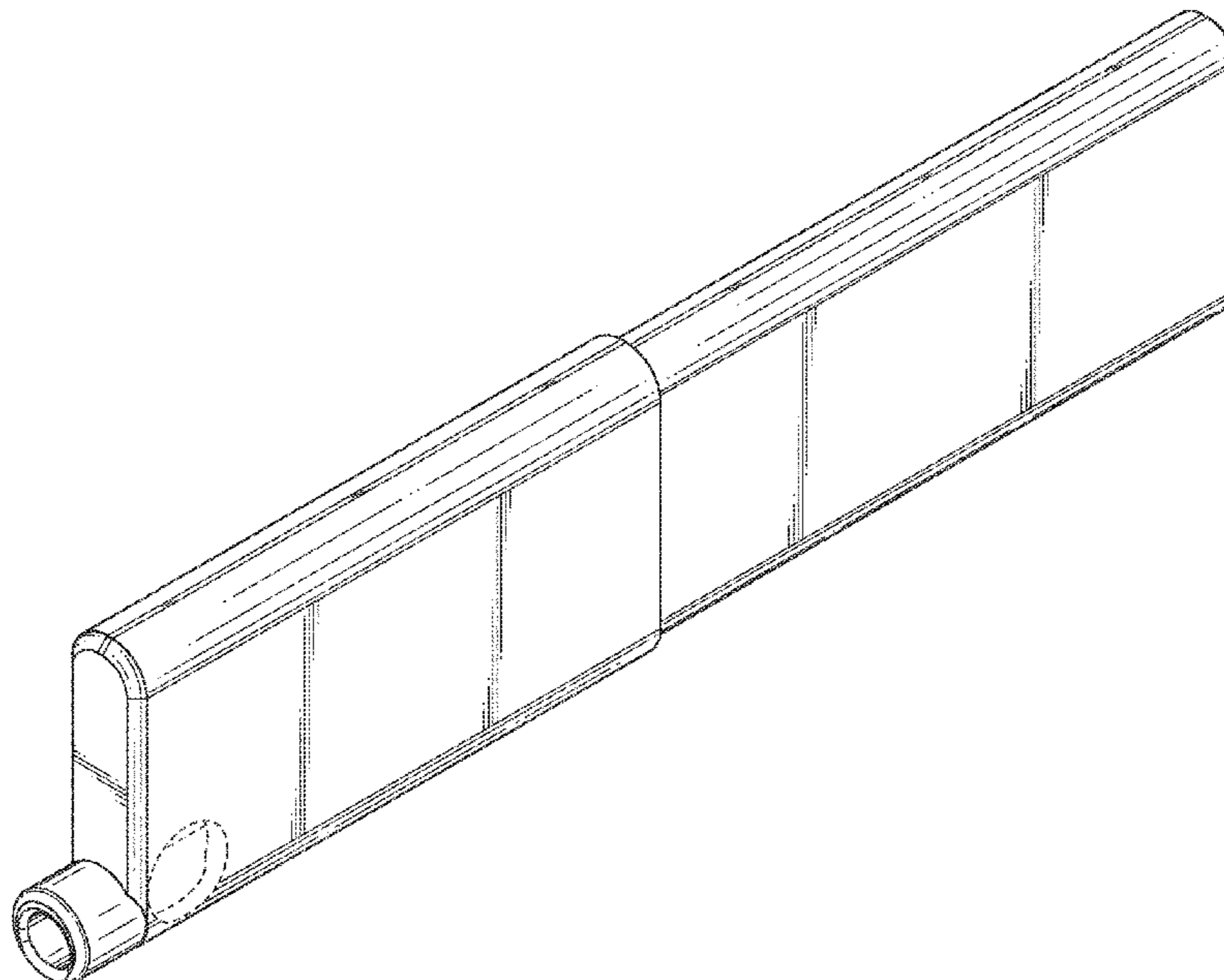
(56) **References Cited**

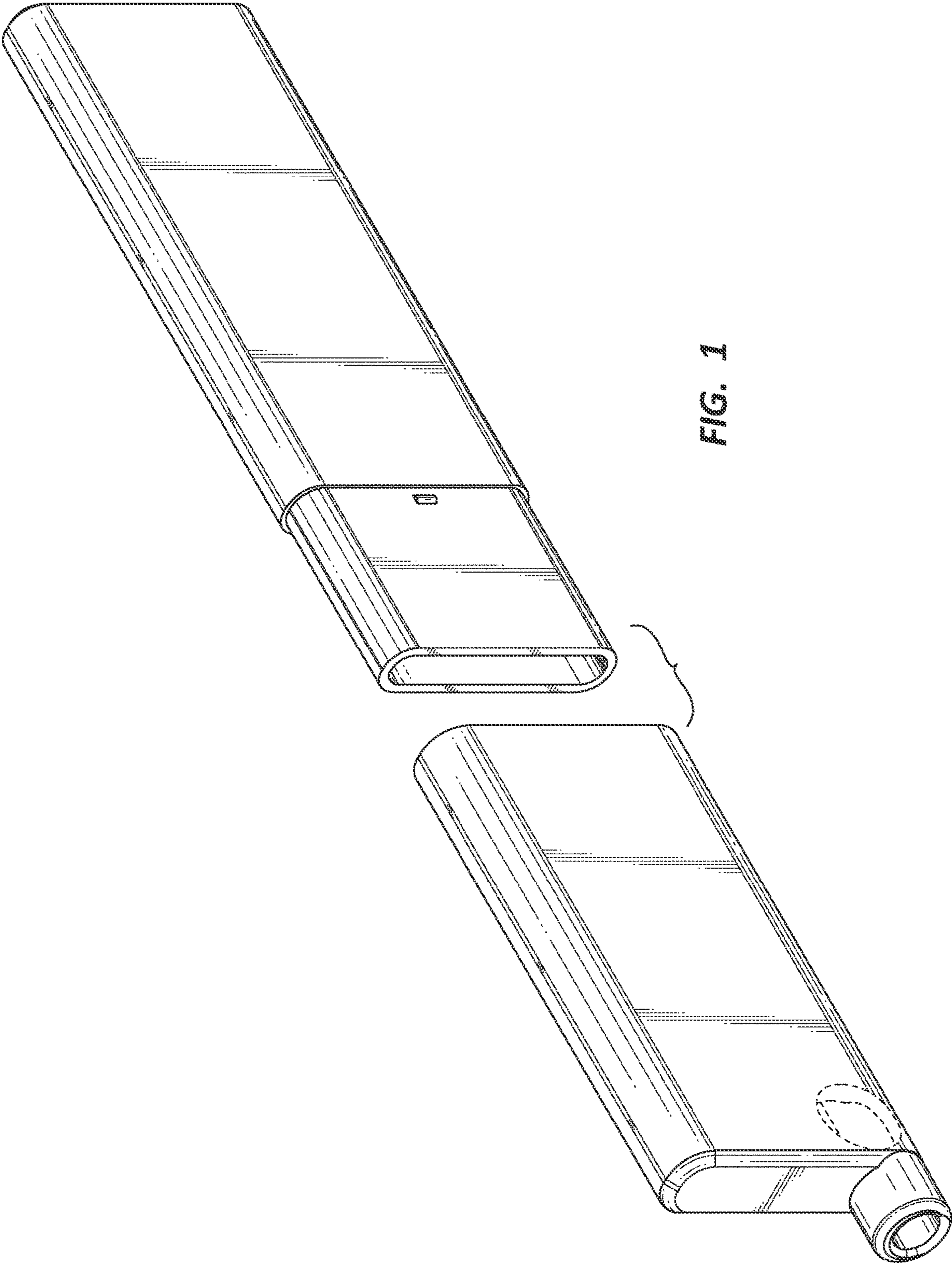
**U.S. PATENT DOCUMENTS**

D305,848 S *	2/1990	Marqua	.....	D7/635
7,467,908 B2 *	12/2008	Francavilla	.....	G01F 11/025
				222/325
D584,608 S *	1/2009	McBride	.....	D3/227
D685,276 S *	7/2013	Frame	.....	D10/81
D685,619 S *	7/2013	Sundaram	.....	D7/708
D819,880 S *	6/2018	Qiu	.....	D27/101
D847,568 S *	5/2019	Hartnett	.....	D7/505
D854,236 S *	7/2019	Qiu	.....	D27/101
D860,516 S *	9/2019	Qiu	.....	D27/101

\* cited by examiner

**1 Claim, 9 Drawing Sheets**





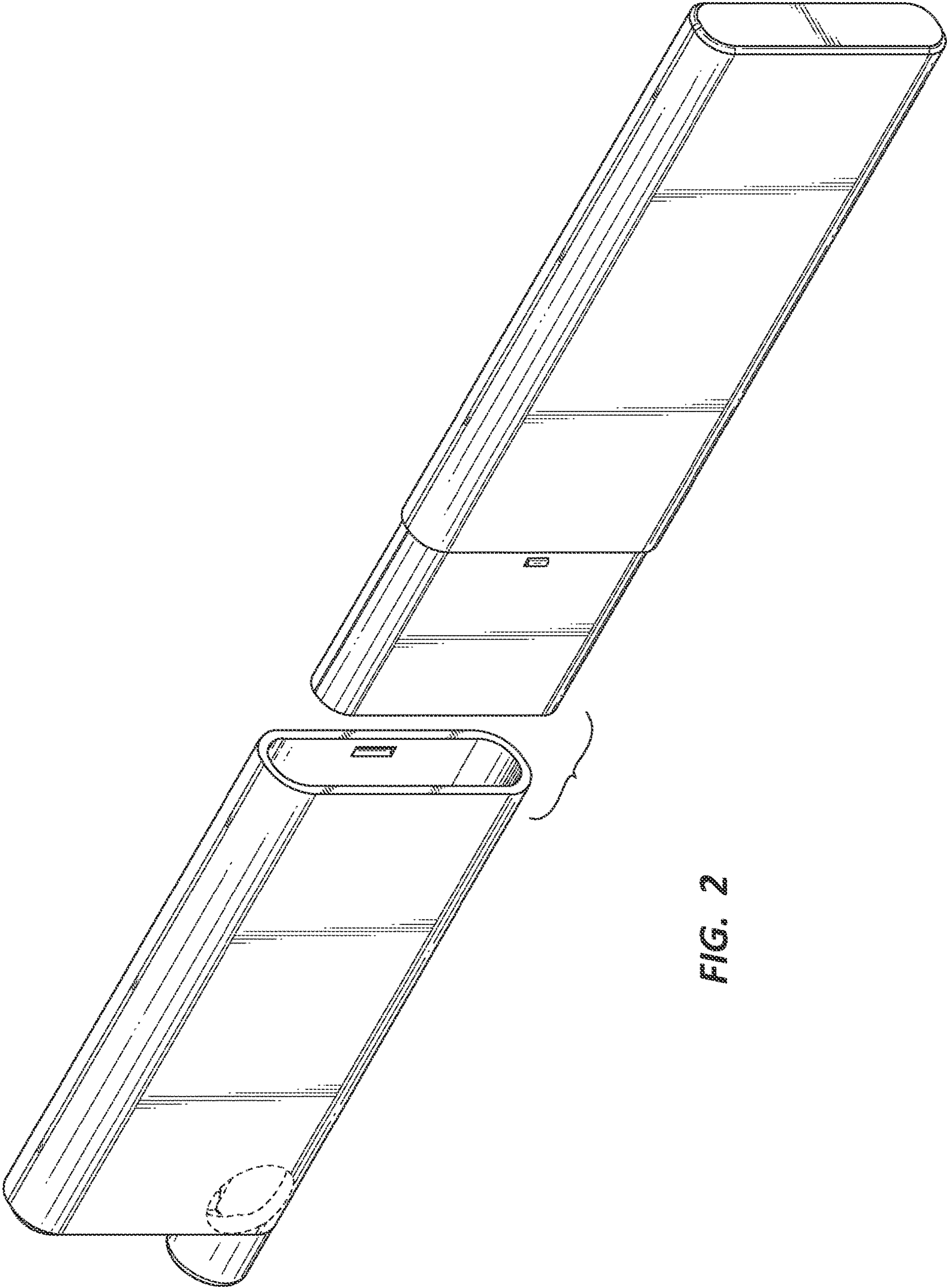


FIG. 2

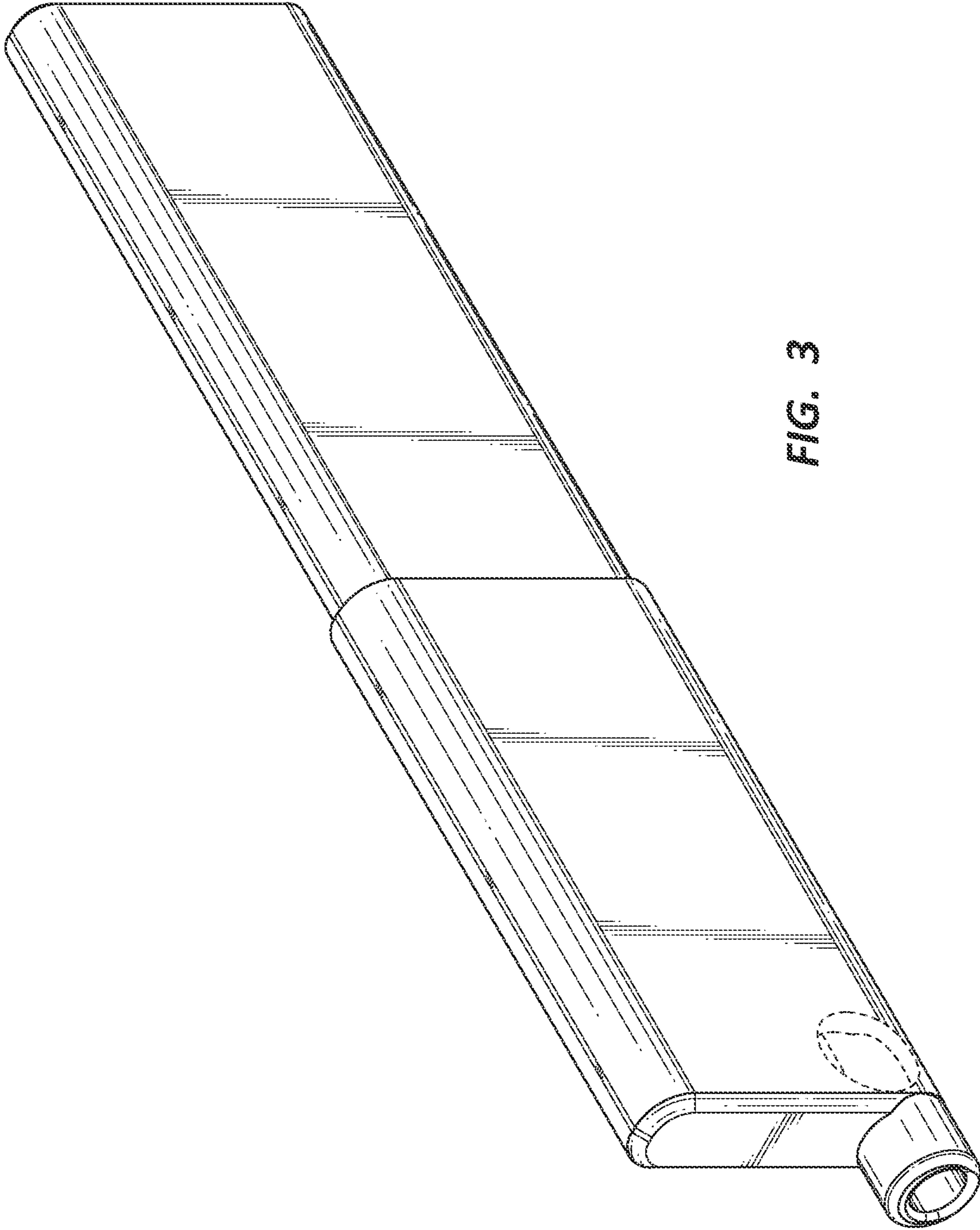


FIG. 3

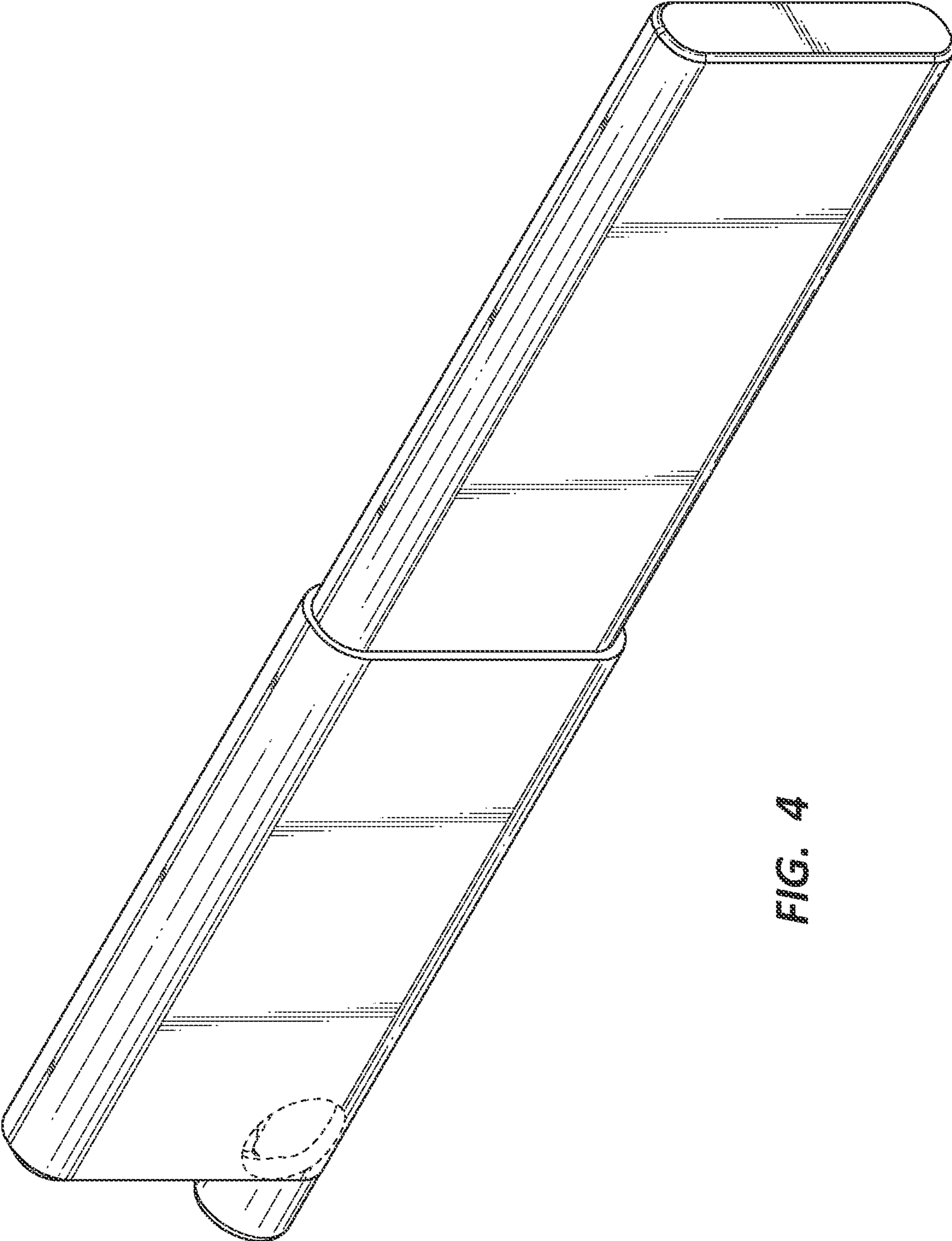


FIG. 4

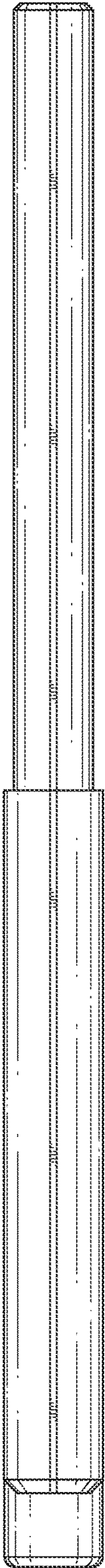


FIG. 5

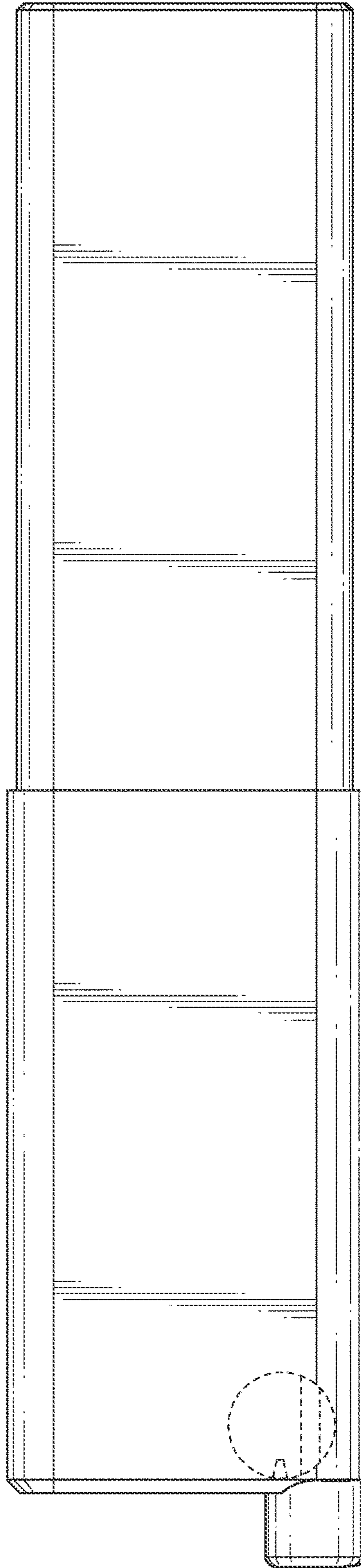


FIG. 6

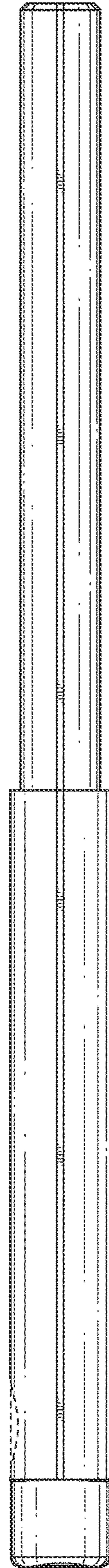


FIG. 7

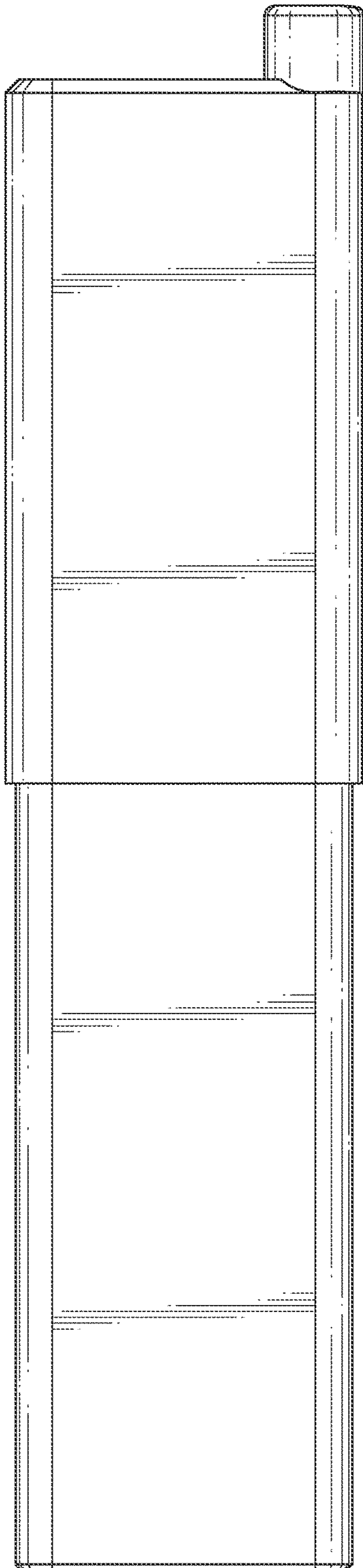


FIG. 8

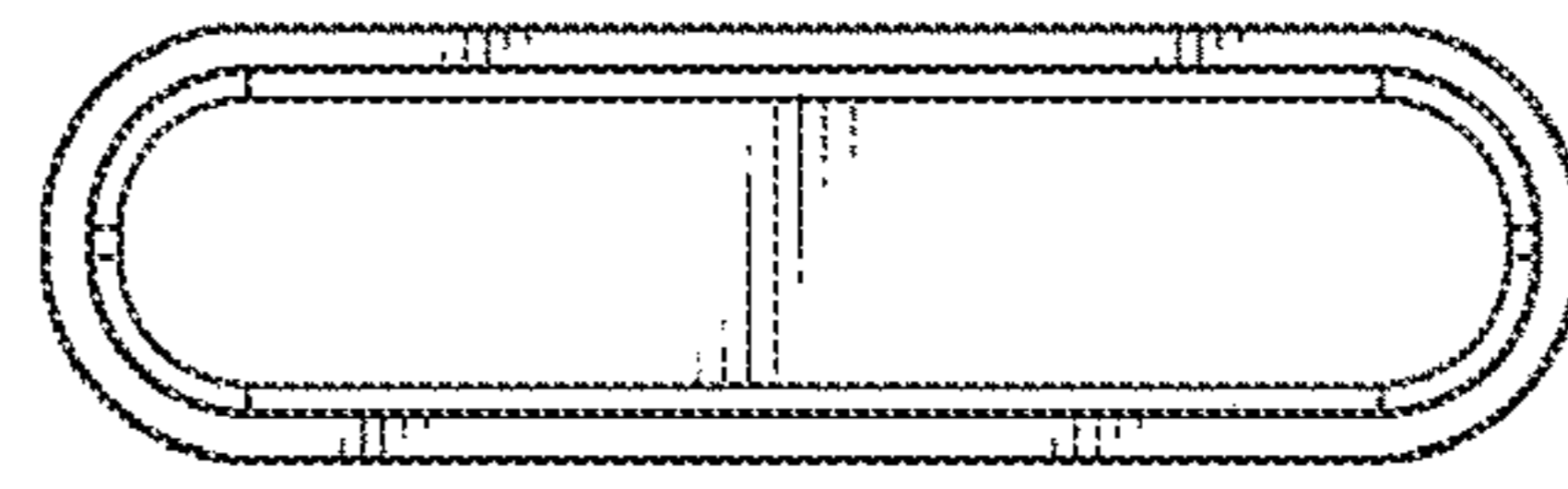


FIG. 10

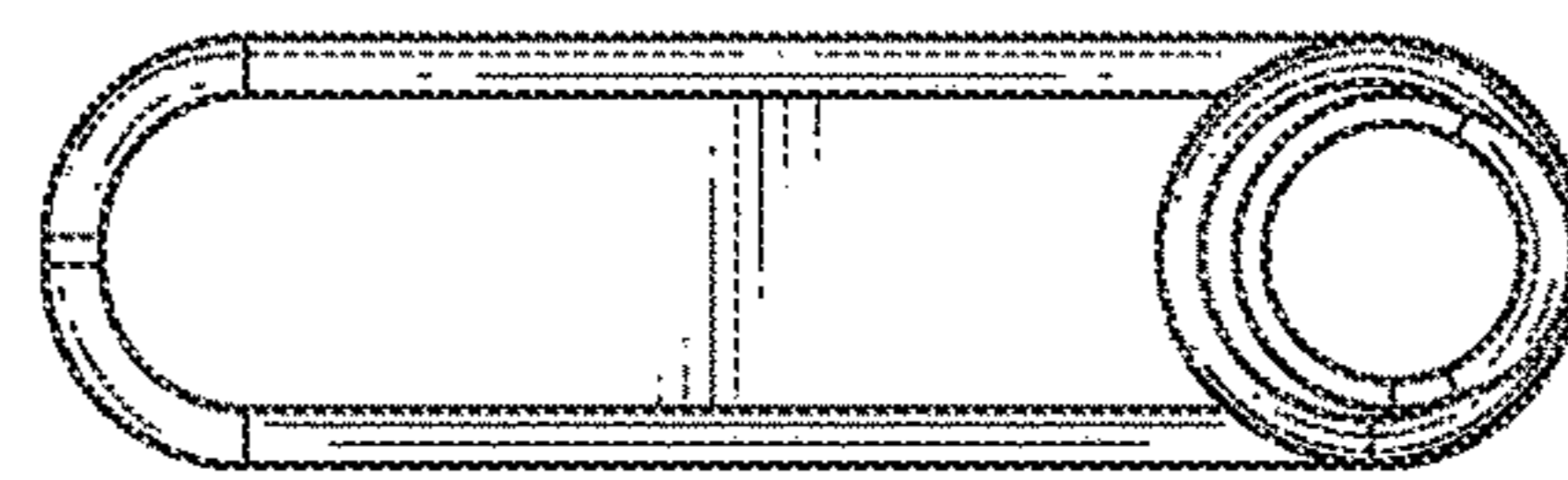


FIG. 9

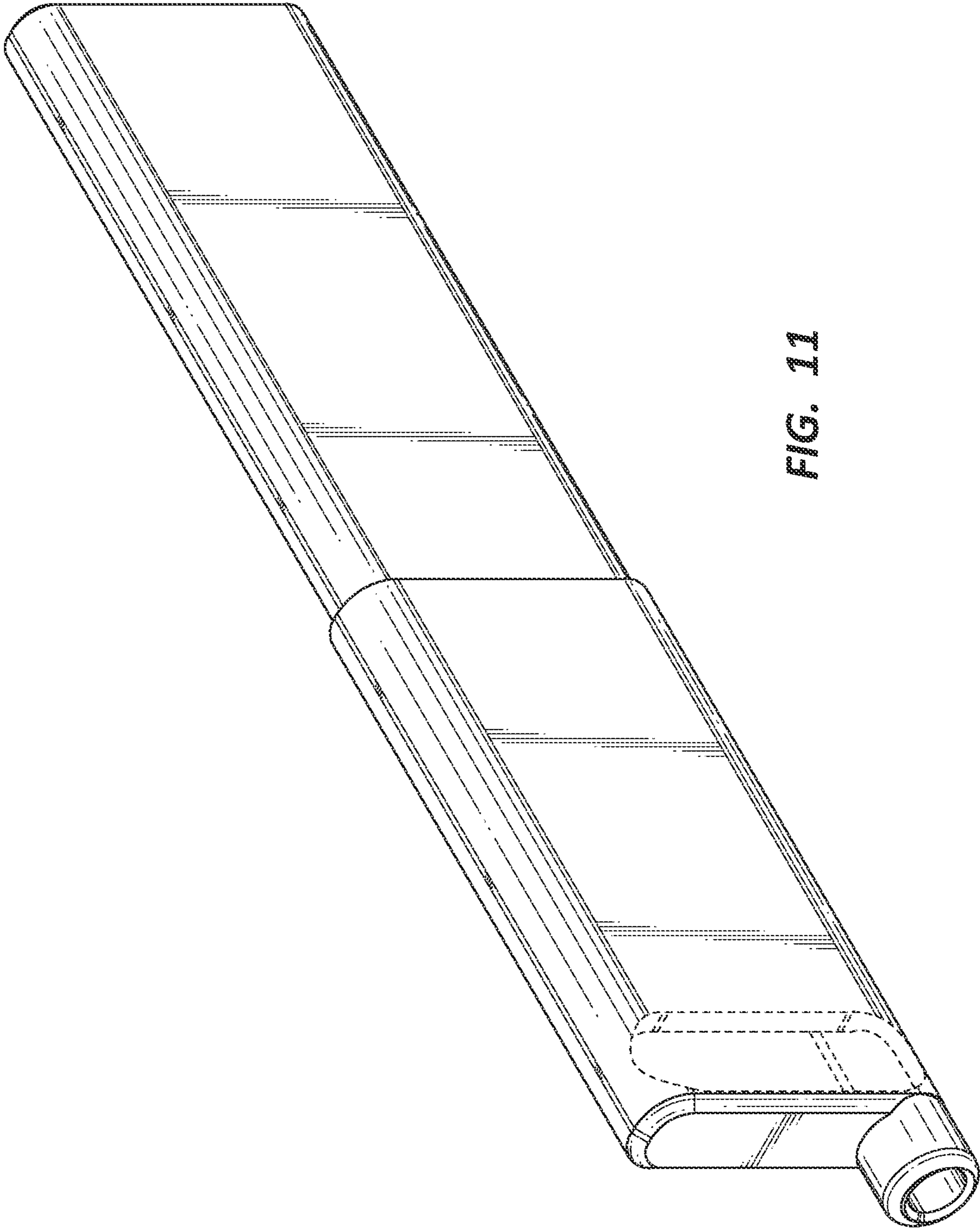


FIG. 11



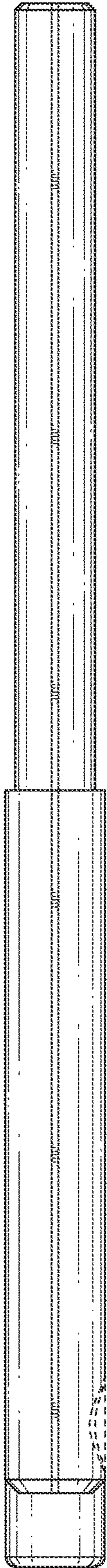


FIG. 12

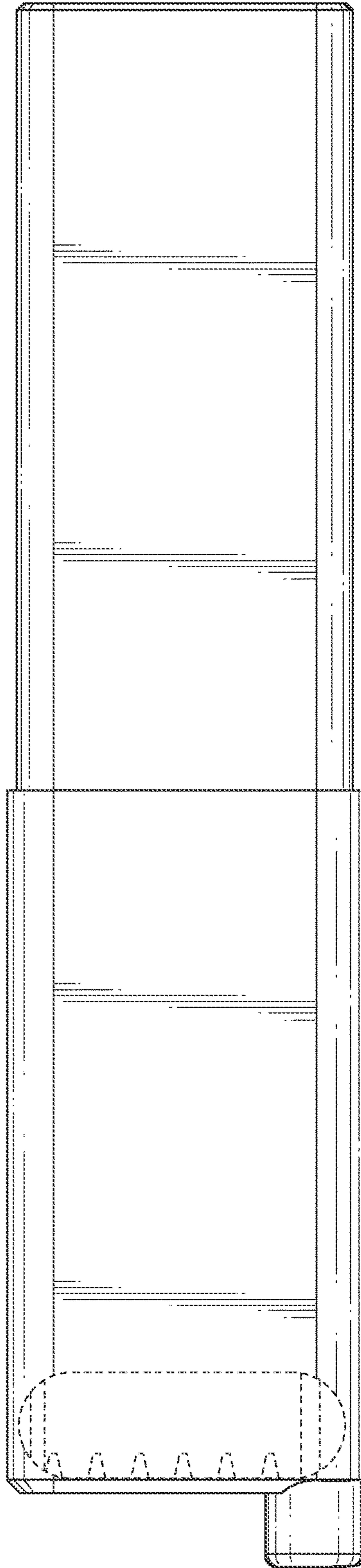


FIG. 13

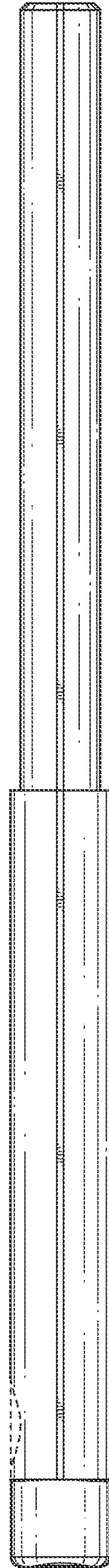


FIG. 14

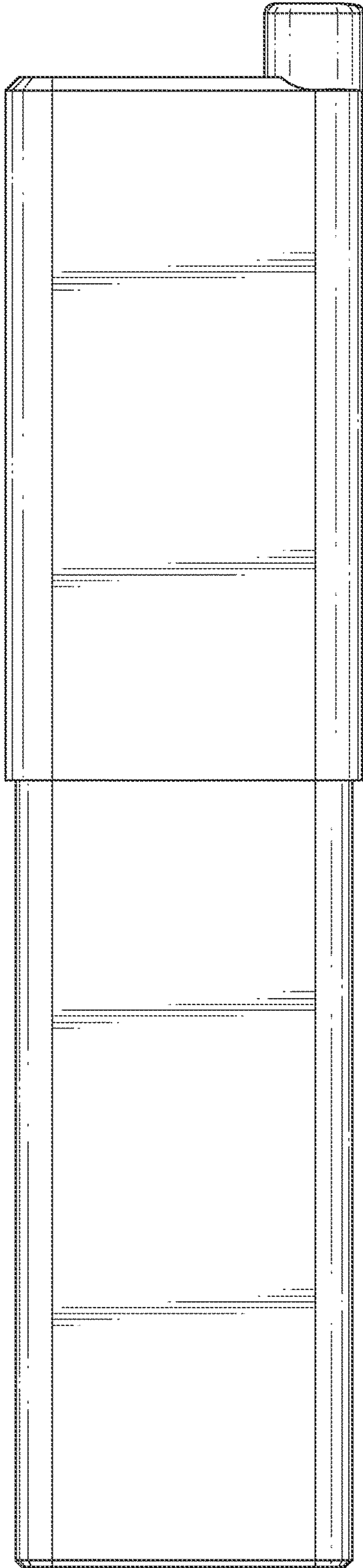


FIG. 15

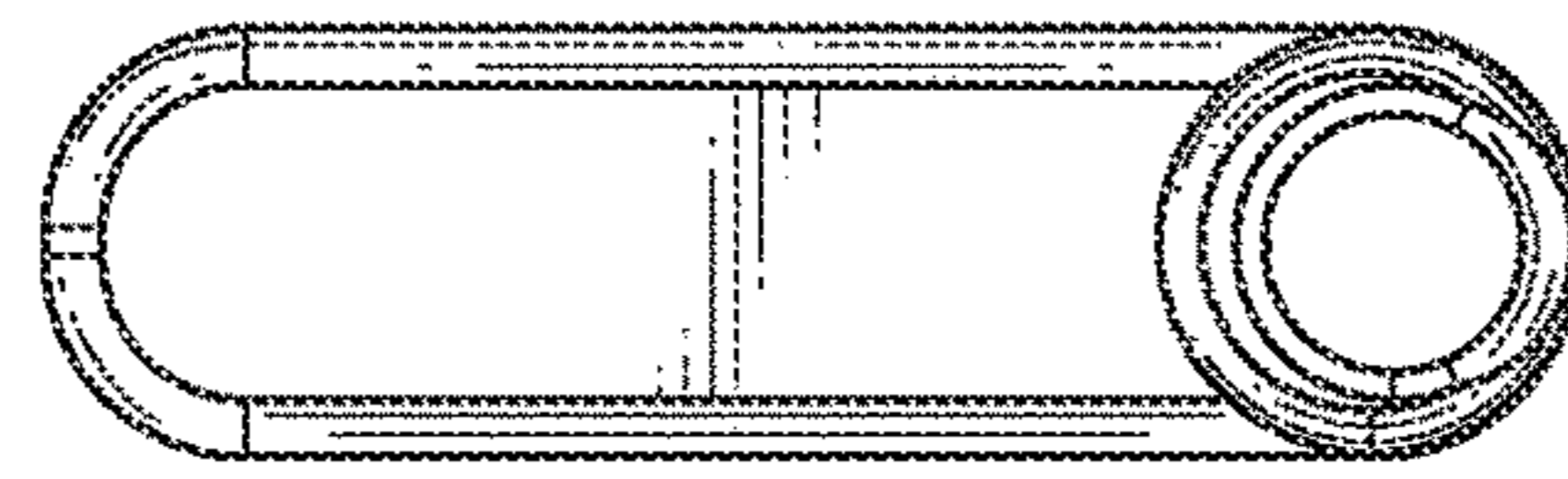


FIG. 16

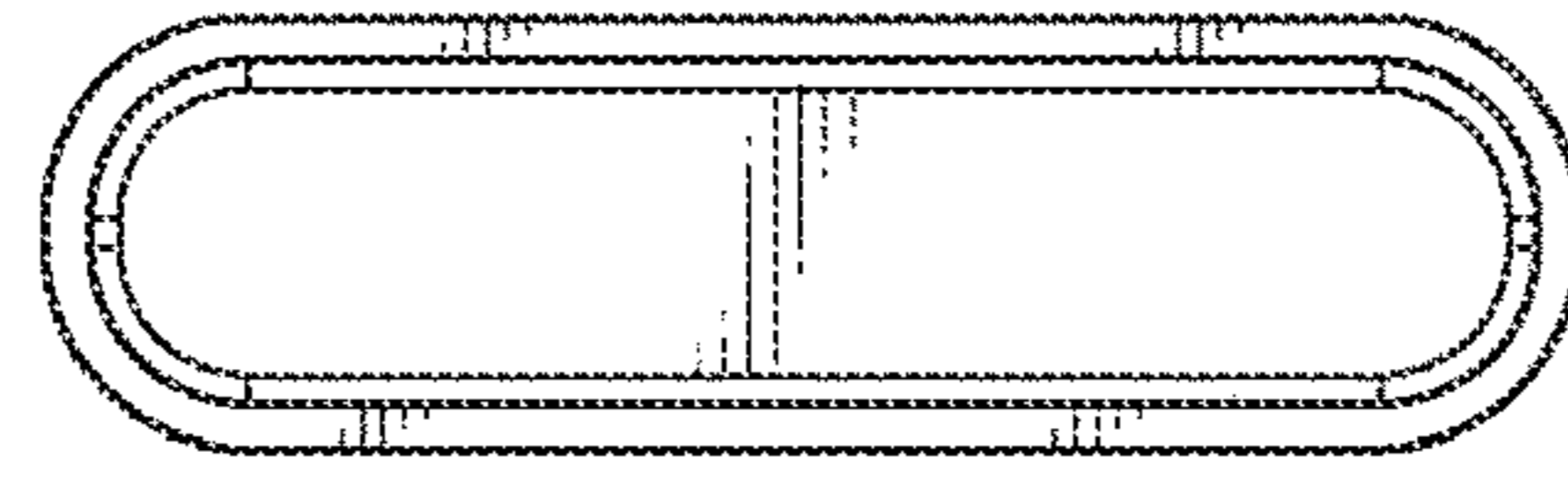


FIG. 17