



US00D915152S

(12) **United States Design Patent**
Sudia

(10) **Patent No.:** **US D915,152 S**

(45) **Date of Patent:** **** Apr. 6, 2021**

(54) **REUSABLE FOOD TRANSPORTER
INCLUDING A TRAY AND A DETACHABLE
LID**

(71) Applicant: **Michael Thomas Sudia**, Parker, CO
(US)

(72) Inventor: **Michael Thomas Sudia**, Parker, CO
(US)

(**) Term: **15 Years**

(21) Appl. No.: **29/680,576**

(22) Filed: **Feb. 18, 2019**

(51) **LOC (13) Cl.** **09-07**

(52) **U.S. Cl.**
USPC **D7/629**; D9/424

(58) **Field of Classification Search**
USPC D7/629, 630, 602, 601; D9/761, 429,
D9/737; 426/118, 124, 128
CPC B65D 81/26; B65D 77/0433; B65D 1/34
See application file for complete search history.

(56) **References Cited**

U.S. PATENT DOCUMENTS

4,237,171	A *	12/1980	Laage	B32B 27/10
					426/127
5,385,292	A *	1/1995	Labianca	B65D 81/26
					229/120
6,601,758	B2 *	8/2003	Lizzio	B65D 77/0433
					229/120
6,932,267	B2 *	8/2005	Potenza, Jr.	B65D 81/268
					206/204
D511,096	S *	11/2005	Demaggio	D9/455
D620,765	S *	8/2010	Sudia	D7/629
D645,711	S *	9/2011	Sudia	D7/629
D670,162	S *	11/2012	Segal	D9/424
D702,510	S *	4/2014	Segal	D7/629

D755,577	S *	5/2016	Segal	D7/629
D872,599	S *	1/2020	Krueger	D9/761
D892,540	S *	8/2020	Collins	D7/388
D892,633	S *	8/2020	Chiang	D9/756
D893,247	S *	8/2020	Chiang	D7/396.6
10,737,867	B2 *	8/2020	Chiang	B65D 21/0223

* cited by examiner

Primary Examiner — Cynthia R Underwood

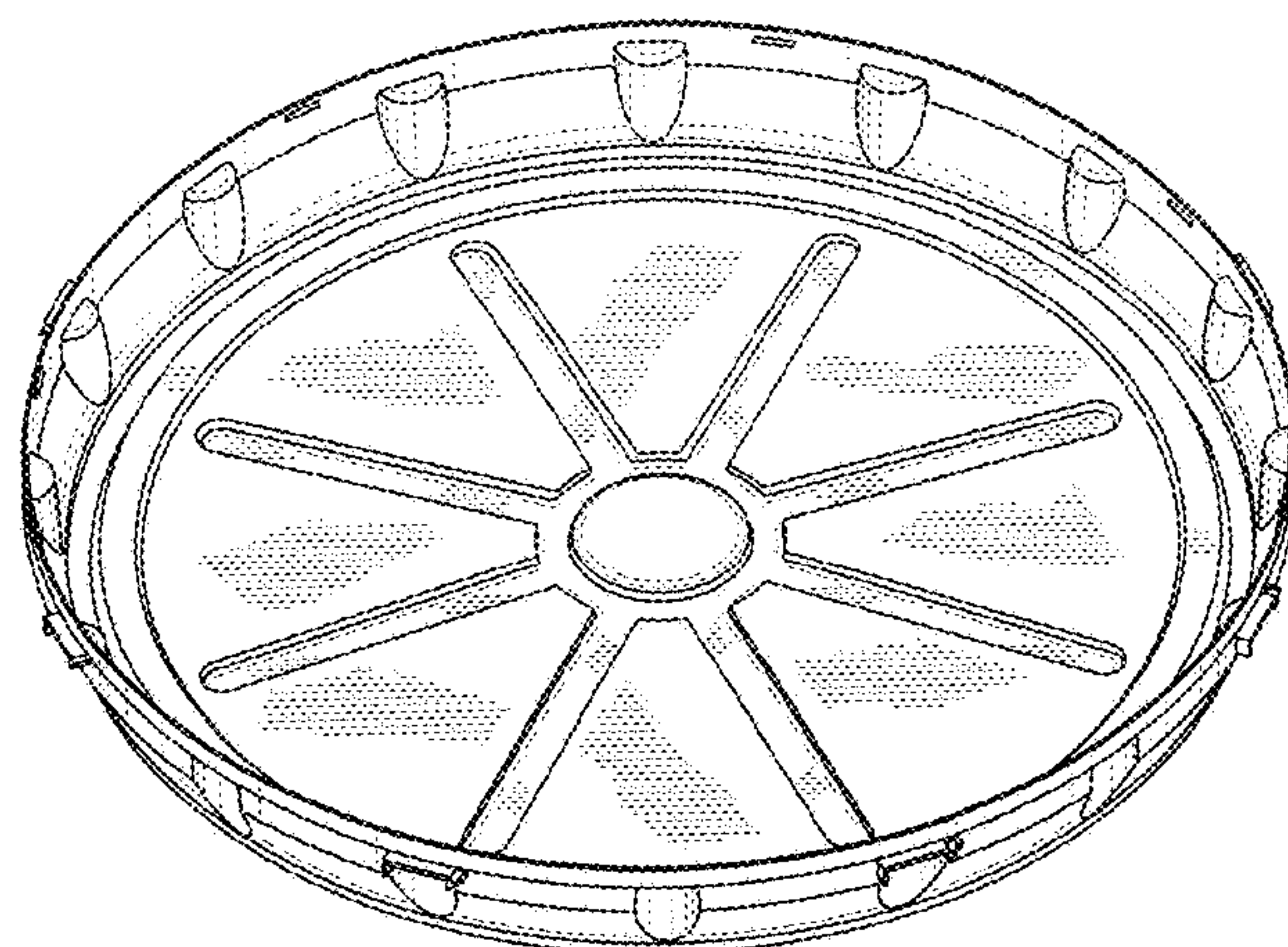
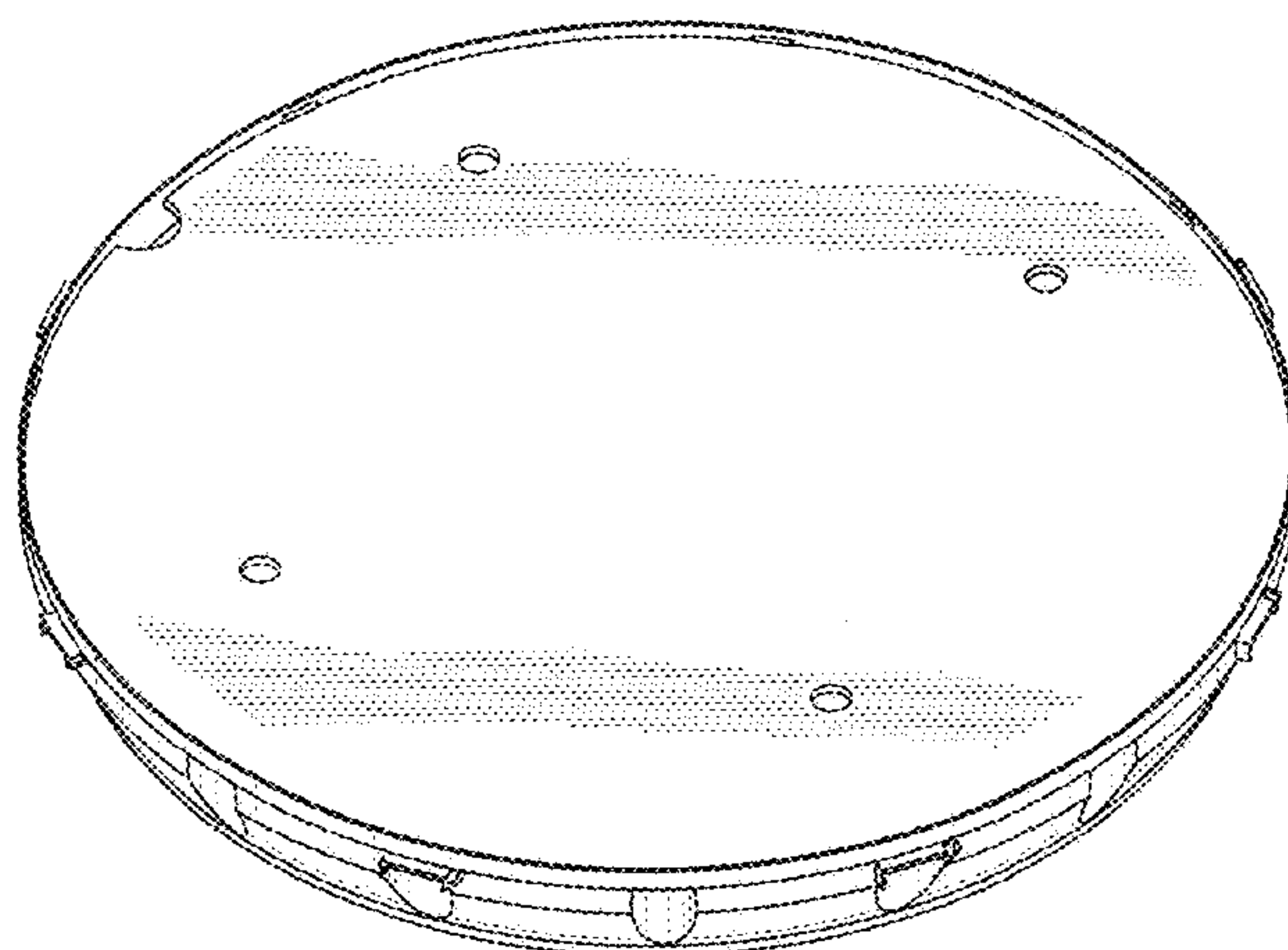
(57) **CLAIM**

The ornamental design for a reusable food transporter including a tray and a detachable lid, as shown and described.

DESCRIPTION

FIG. 1 is a perspective view of the reusable food transporter including a tray and a detachable lid;
 FIG. 2 is a perspective view thereof, showing the lid detached from the tray;
 FIG. 3 is a perspective view thereof, showing the tray detached from the lid.
 FIG. 4 is a perspective bottom plan view thereof;
 FIG. 5 is a perspective bottom plan view of FIG. 2;
 FIG. 6 is a top plan view of FIG. 3;
 FIG. 7 is a bottom plan view of FIG. 3;
 FIG. 8 is a right side elevational view of FIG. 1;
 FIG. 9 is a left side elevational view of FIG. 1;
 FIG. 10 is a front side elevational view of FIG. 1;
 FIG. 11 is a back side elevational view of FIG. 1.
 FIG. 12 is a top view of FIG. 2;
 FIG. 13 is a bottom view of FIG. 2;
 FIG. 14 is a left side view of FIG. 2;
 FIG. 15 is a right side view of FIG. 2;
 FIG. 16 is a front side view of FIG. 2; and,
 FIG. 17 is a back side view of FIG. 2.

1 Claim, 9 Drawing Sheets



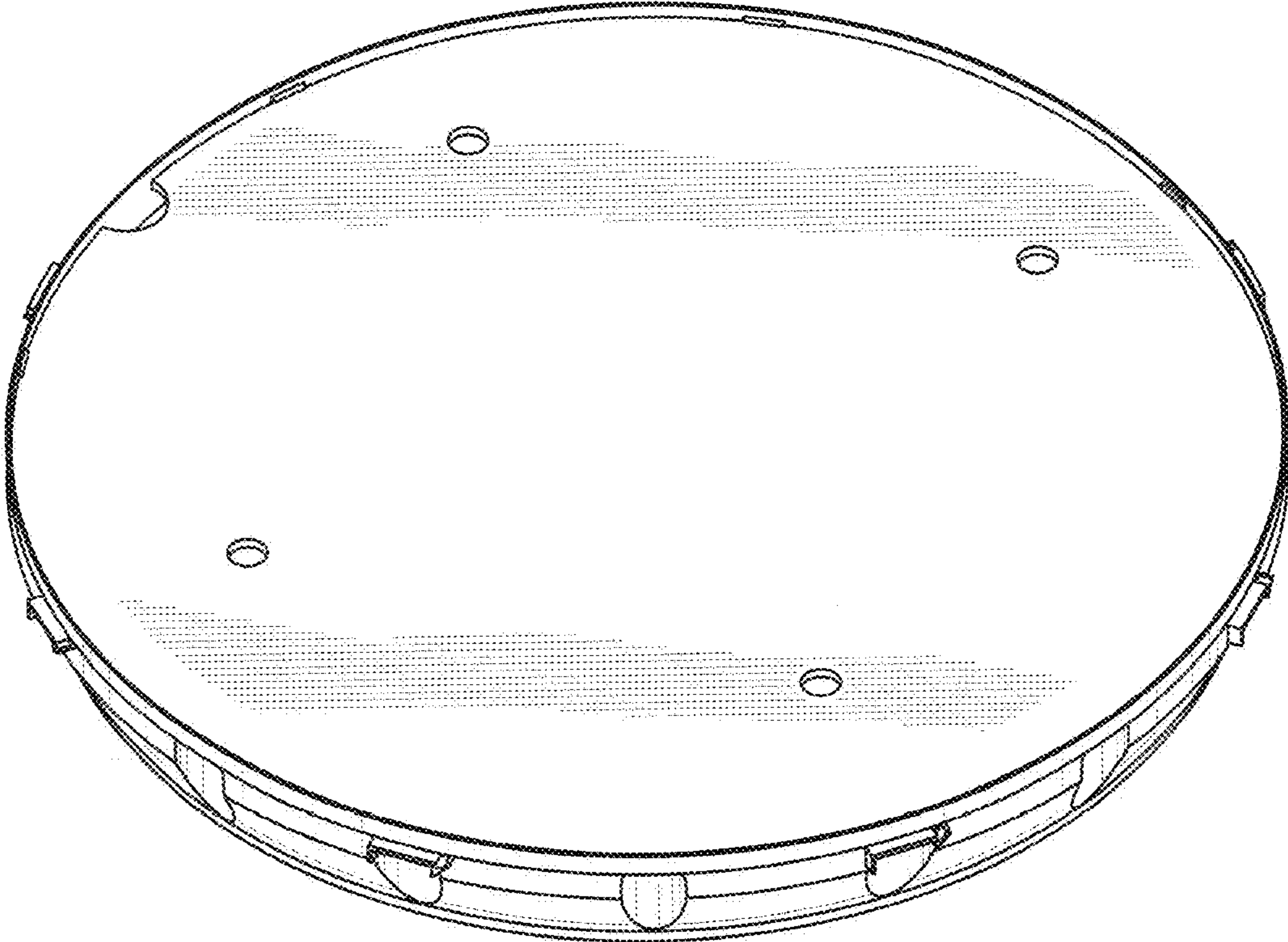


FIG. 1

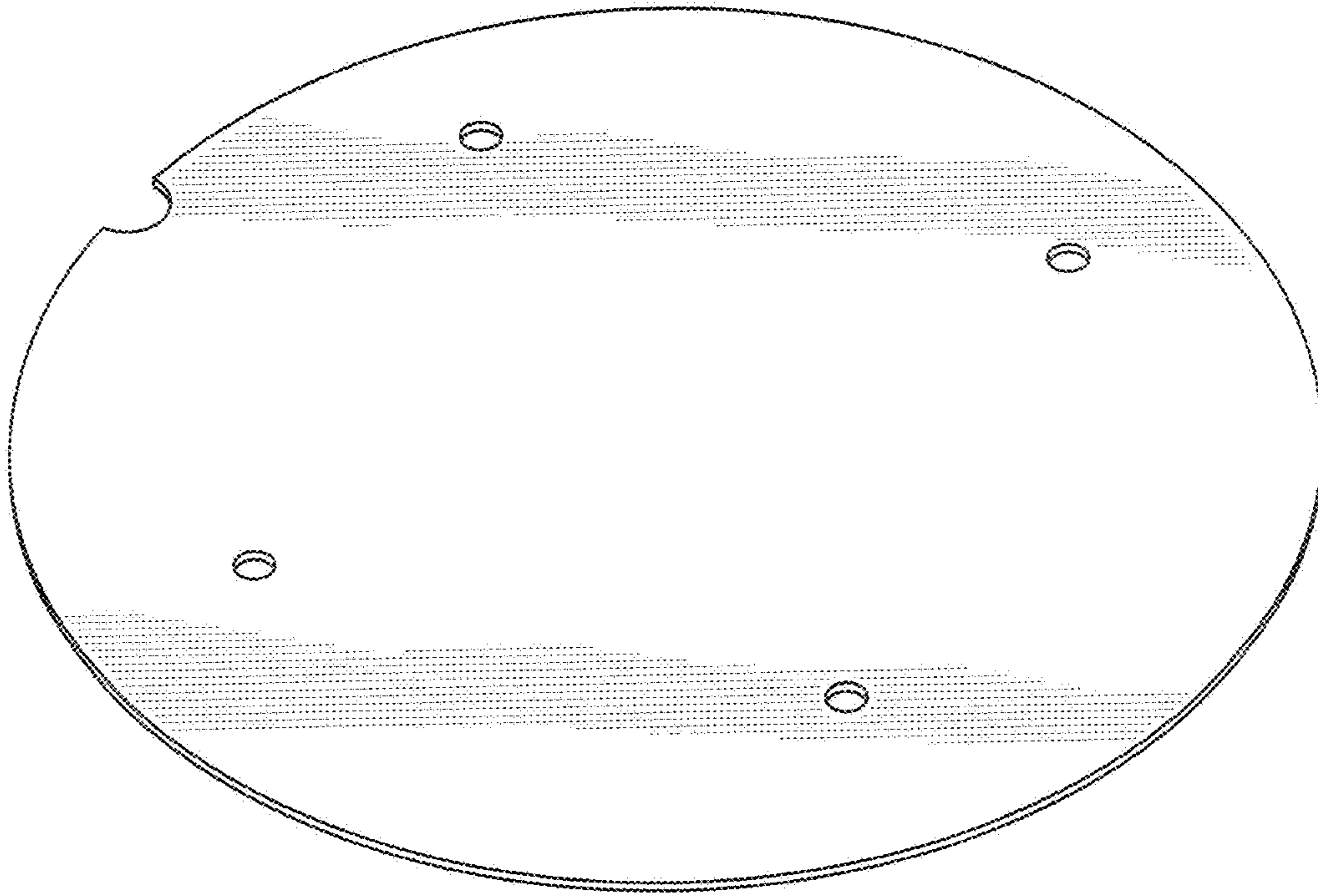


FIG. 2

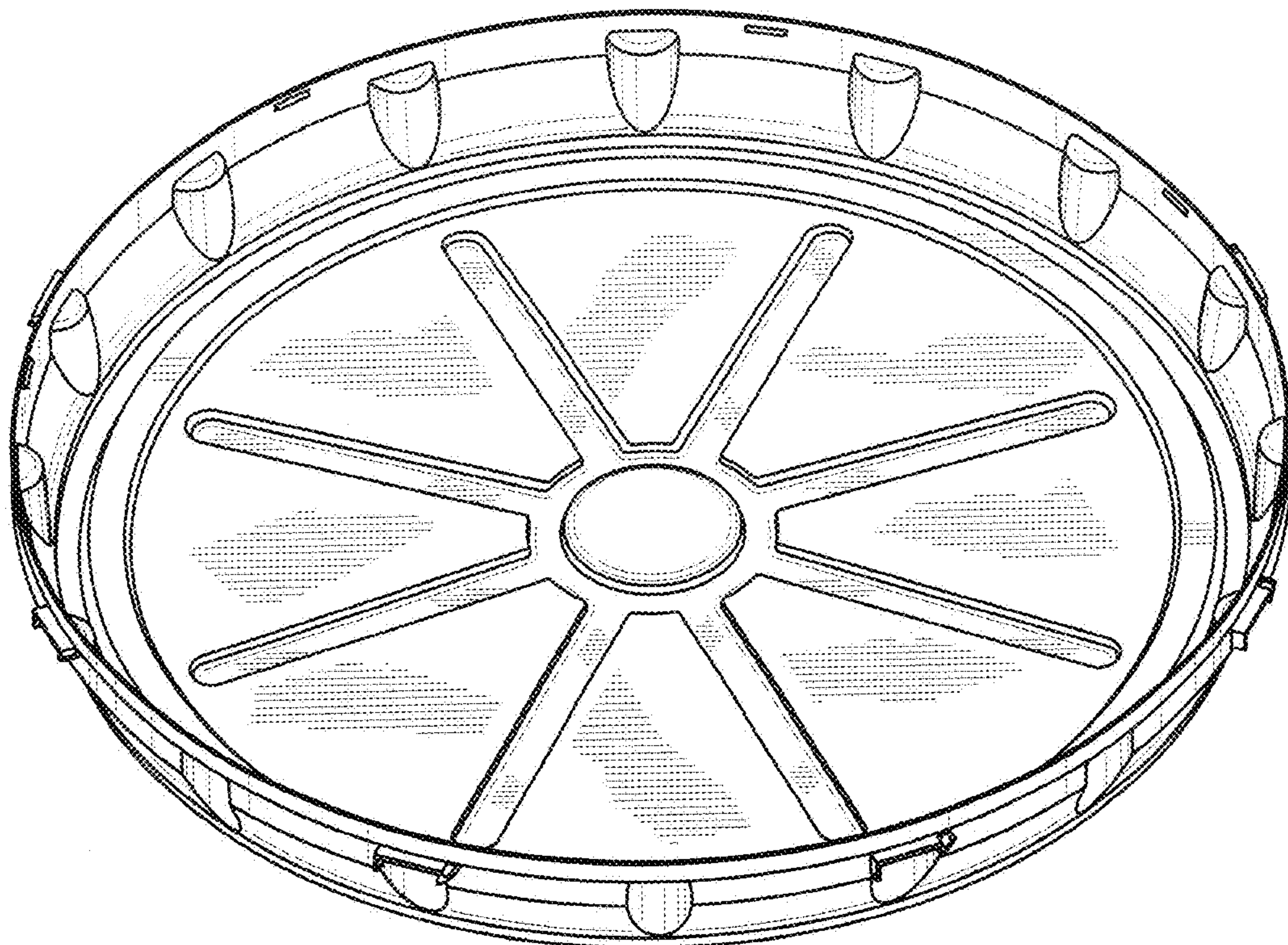


FIG. 3

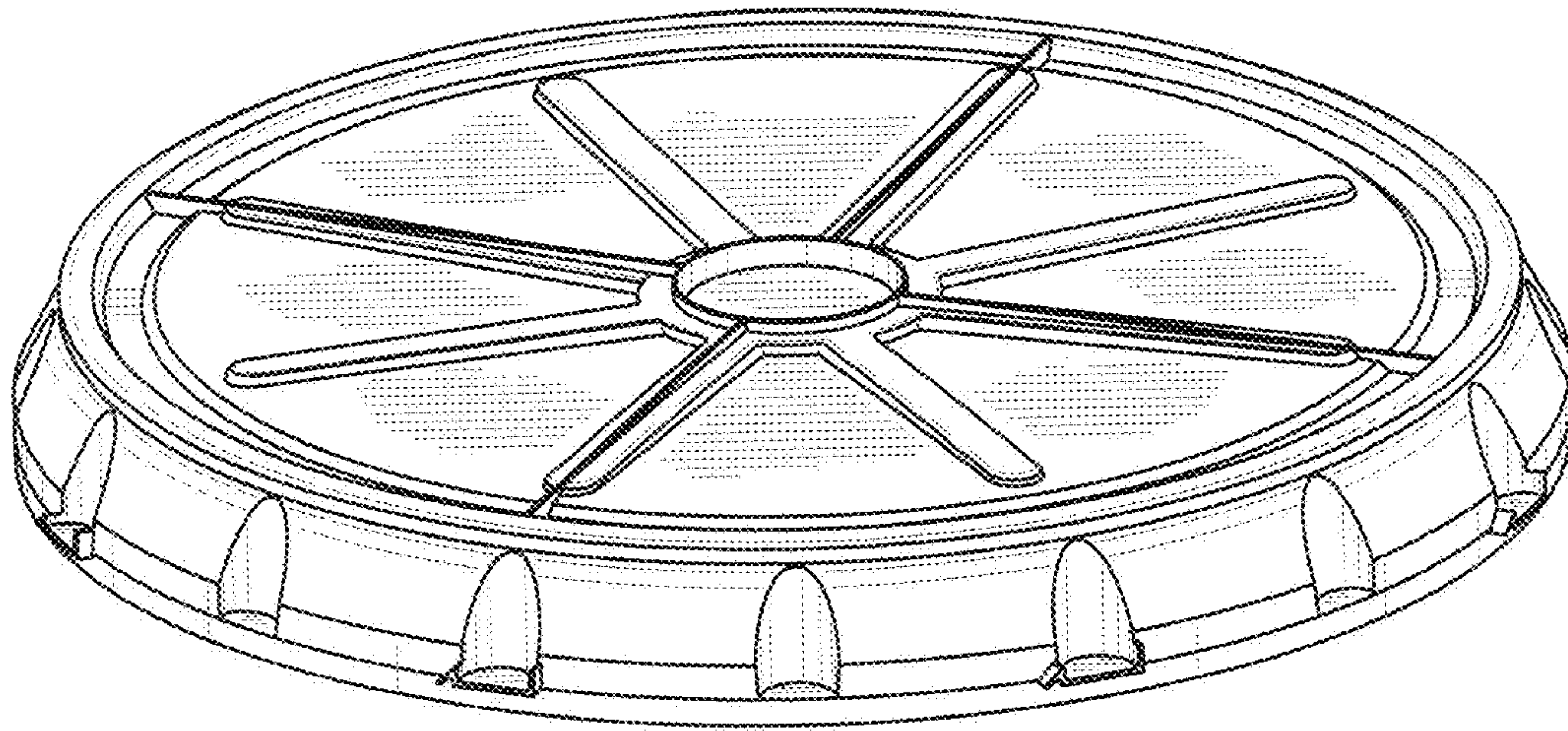


FIG. 4

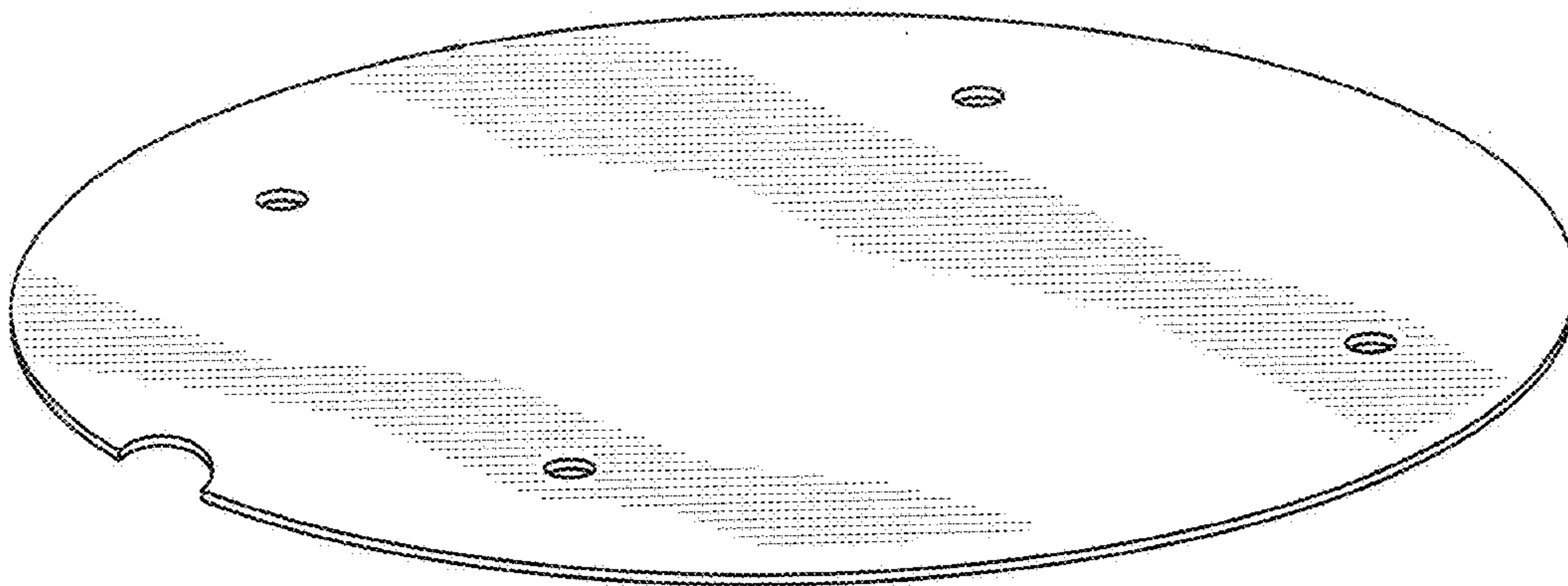


FIG. 5

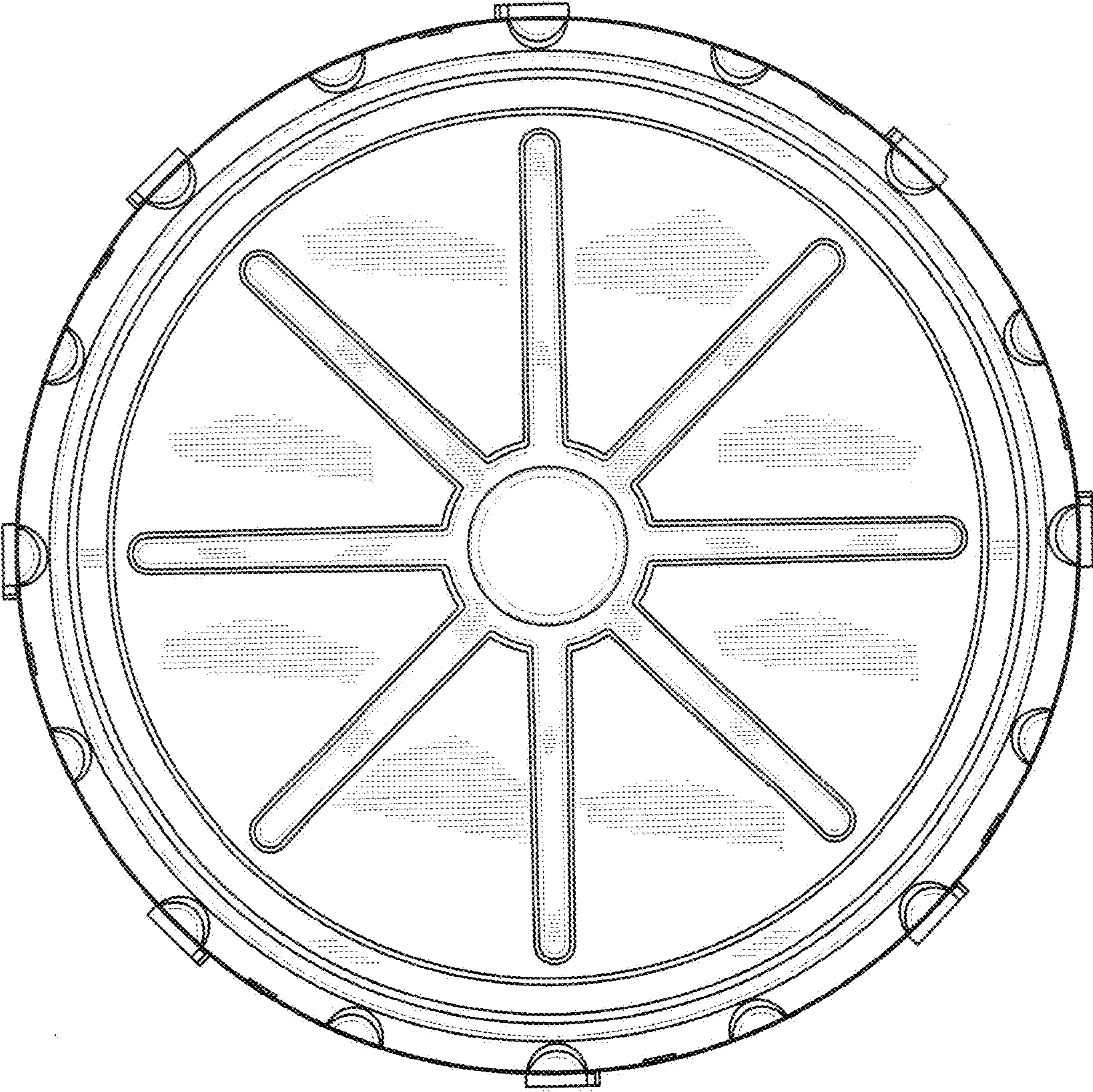


FIG. 6

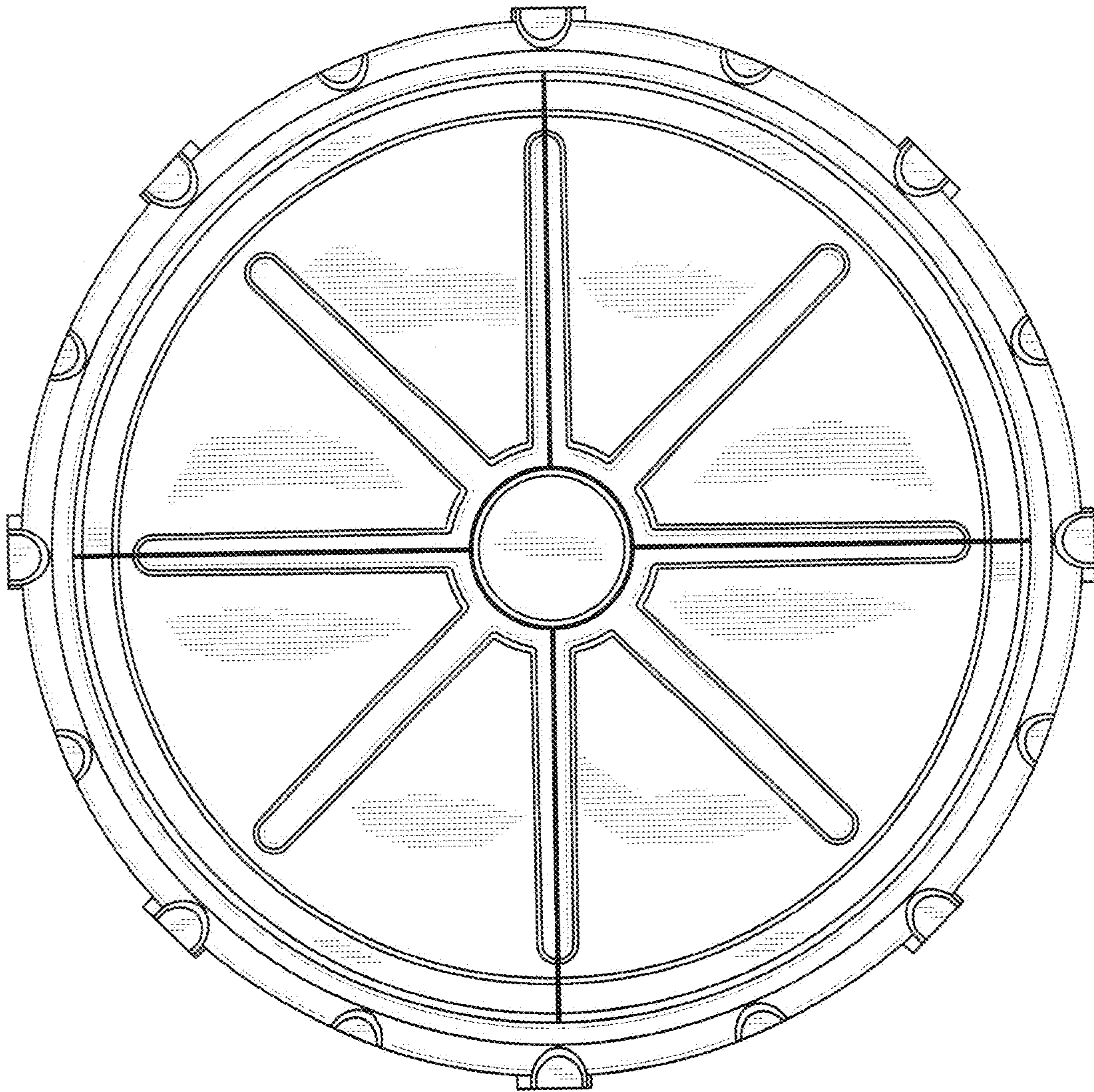


FIG. 7

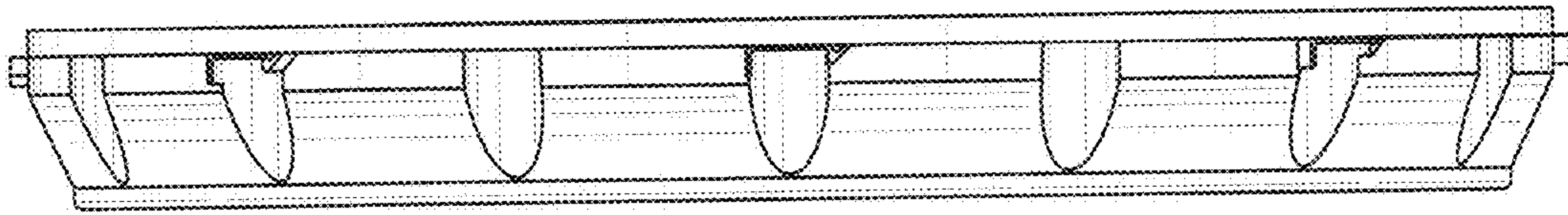


FIG. 8

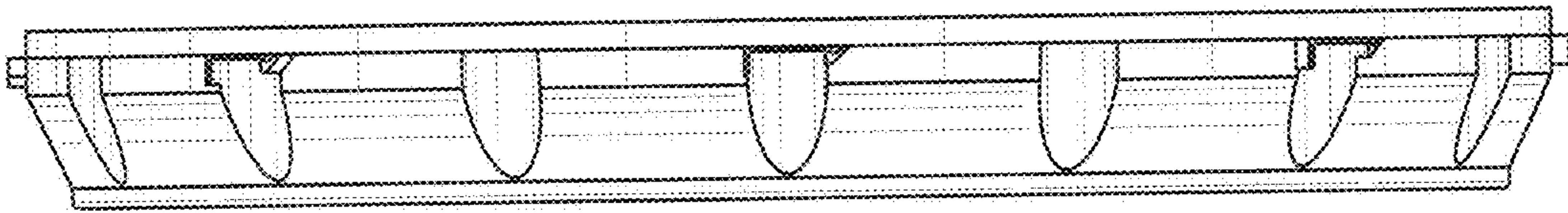


FIG. 9

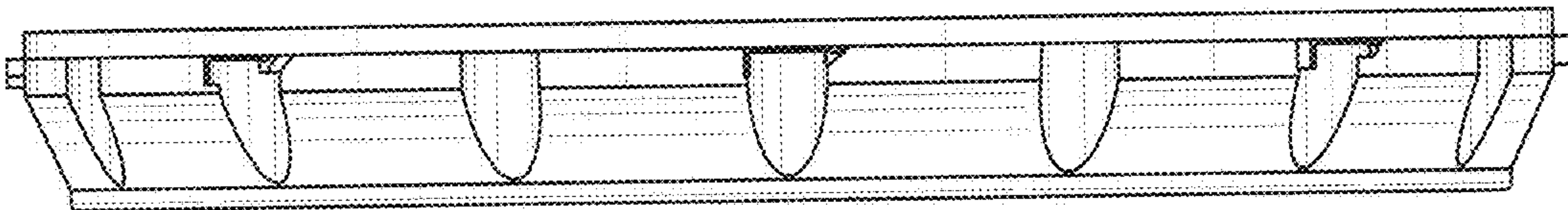


FIG. 10

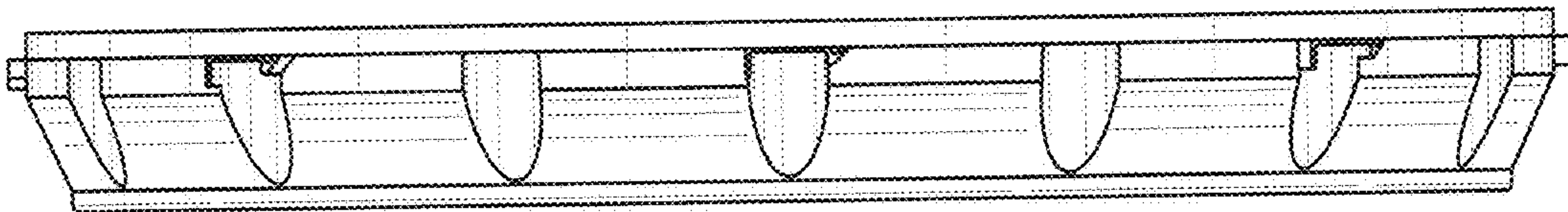


FIG. 11

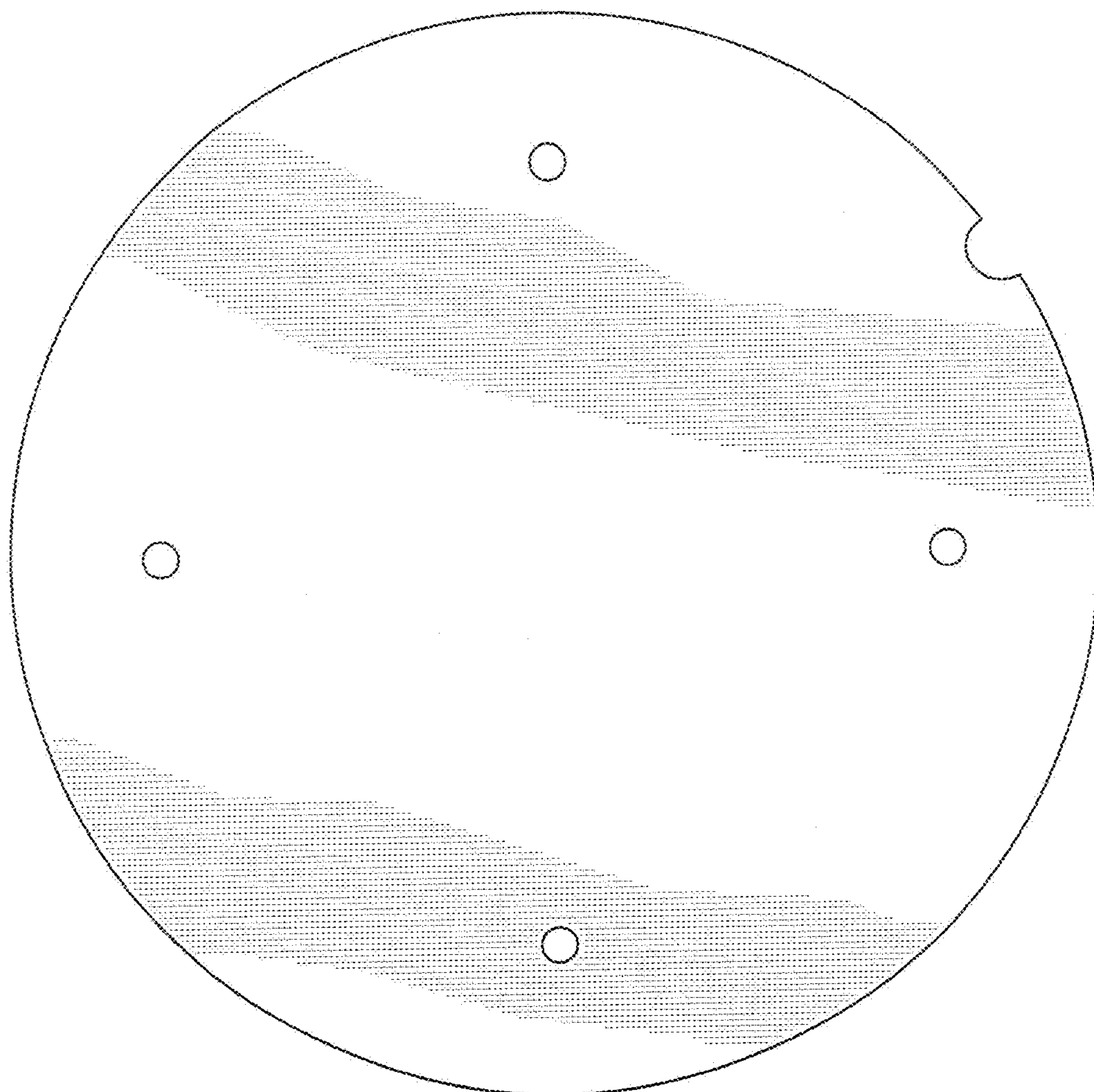


FIG. 12

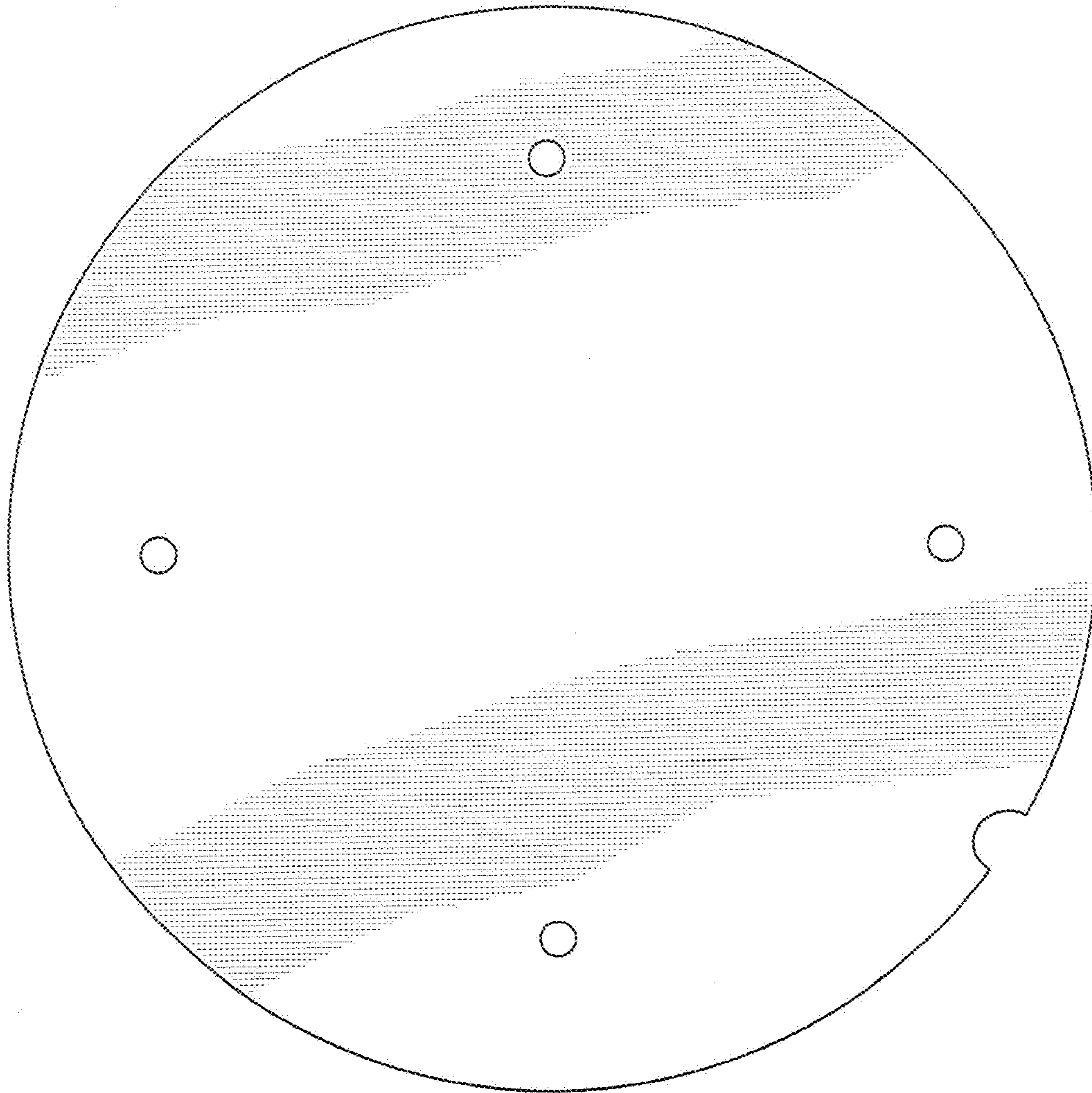


FIG. 13

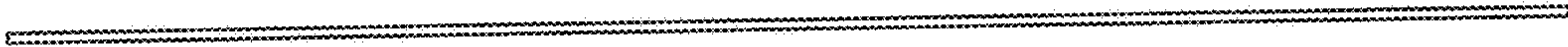


FIG. 14

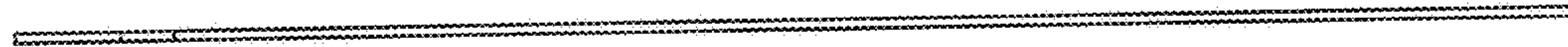


FIG. 15

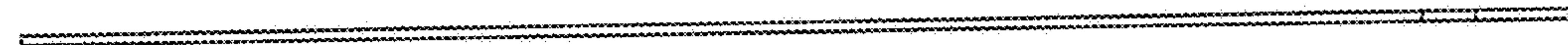


FIG. 16

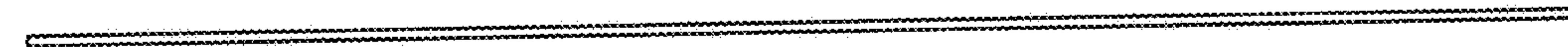


FIG. 17