



US00D915150S

(12) **United States Design Patent** (10) **Patent No.:** **US D915,150 S**
Zeiser et al. (45) **Date of Patent:** **** Apr. 6, 2021**

- (54) **FOOD PAN FOR FOOD WELL**
- (71) Applicant: **Hubert North America Services, LLC**,
Harrison, OH (US)
- (72) Inventors: **Lisa Zeiser**, West Harrison, IN (US);
Amanda Wagoner, Fairfield, OH (US)
- (73) Assignee: **Hubert North America Services, LLC**,
Harrison, OH (US)
- (**) Term: **15 Years**
- (21) Appl. No.: **29/679,467**
- (22) Filed: **Feb. 6, 2019**
- (51) **LOC (13) Cl.** **07-07**
- (52) **U.S. Cl.**
USPC **D7/602**
- (58) **Field of Classification Search**
USPC D7/602, 601, 584, 554.3; D9/425
CPC B65D 21/0233; B65D 53/06
See application file for complete search history.

(56) **References Cited**

U.S. PATENT DOCUMENTS

D330,996 S *	11/1992	Smith	D7/629
D363,662 S *	10/1995	Plater	D3/304
D415,656 S *	10/1999	Henry	D7/354
D432,866 S *	10/2000	Harrison	D7/545
D540,624 S *	4/2007	Wasserman	D7/584
D630,901 S *	1/2011	Samartgis	D7/602
D642,905 S *	8/2011	Samartgis	D9/424
D642,906 S *	8/2011	Samartgis	D9/424
D642,907 S *	8/2011	Samartgis	D9/424
D643,710 S *	8/2011	Samartgis	D9/424
D643,711 S *	8/2011	Samartgis	D9/424
D643,712 S *	8/2011	Samartgis	D9/424
D645,738 S *	9/2011	Shiffer	D9/428
D687,679 S *	8/2013	Mikulka	D7/553.2
D708,015 S *	7/2014	Carlson	D7/602

D708,016 S *	7/2014	Carlson	D7/602
D708,017 S *	7/2014	Carlson	D7/602
D708,018 S *	7/2014	Carlson	D7/602
D716,613 S *	11/2014	Carlson	D7/602
D717,119 S *	11/2014	Carlson	D7/602
D717,120 S *	11/2014	Carlson	D7/602
D717,121 S *	11/2014	Carlson	D7/602
D717,122 S *	11/2014	Carlson	D7/602
D767,940 S *	10/2016	Gross	D7/554.3
D780,573 S *	3/2017	Son	D9/425
D787,275 S *	5/2017	Carlson	D7/602
D815,924 S *	4/2018	Croft	D7/629
D829,545 S *	10/2018	Thurin	D9/425
D830,131 S *	10/2018	Kim	D7/602
D854,380 S *	7/2019	Yang	D7/602
D854,889 S *	7/2019	Kim	D7/602
D901,991 S *	11/2020	Liu	D7/629
2011/0139660 A1 *	6/2011	Cabell	B65D 21/0233 206/459.5

(Continued)

Primary Examiner — Cynthia R Underwood

(74) *Attorney, Agent, or Firm* — Dinsmore & Shohl LLP

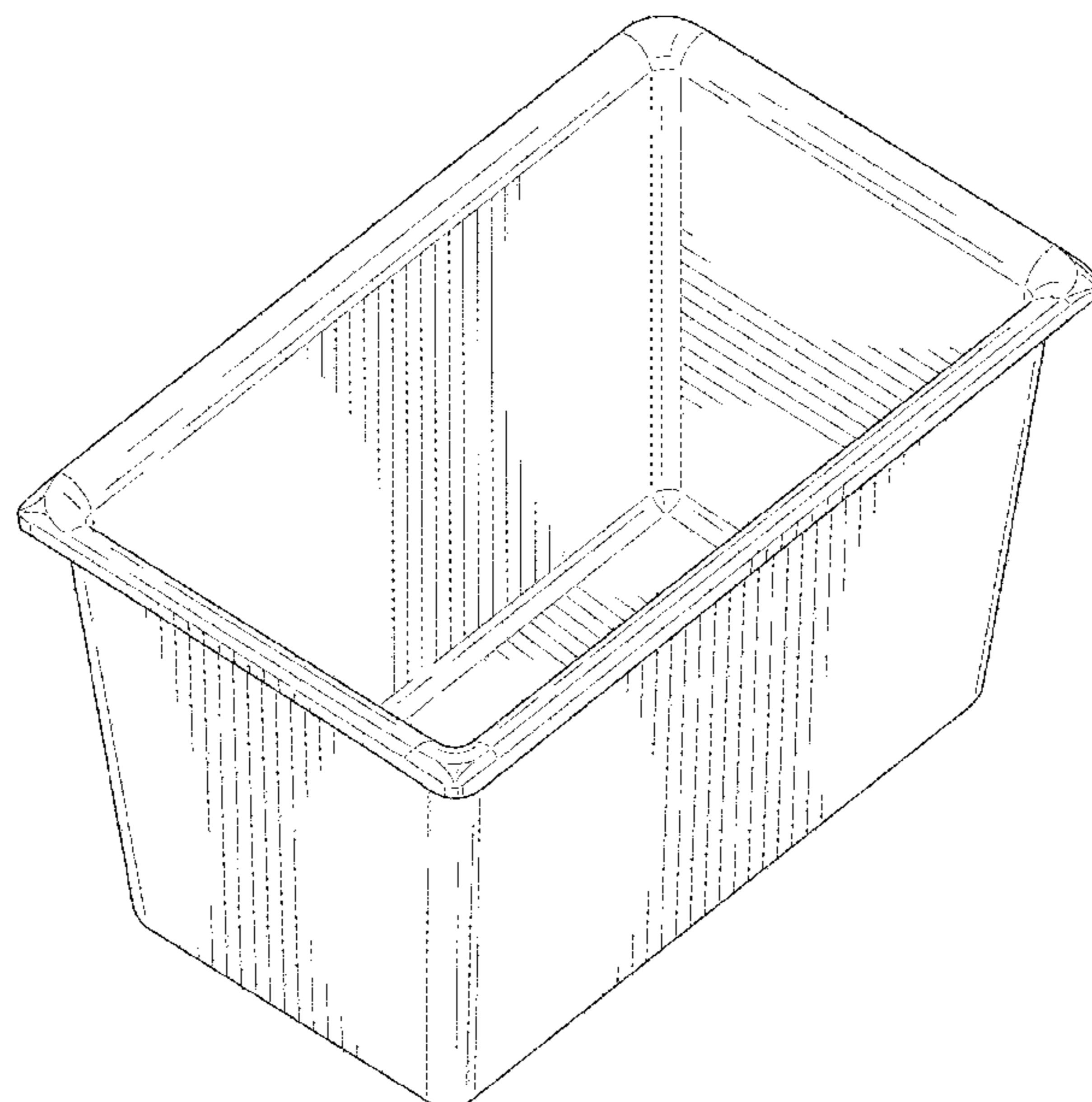
(57) **CLAIM**

The ornamental design for a food pan for food well, as shown and described herein.

DESCRIPTION

FIG. 1 is a top perspective view of a food pan for food well illustrating our new design;
 FIG. 2 is a side view of the design of FIG. 1;
 FIG. 3 is a side view of the design of FIG. 1;
 FIG. 4 is a front view of the design of FIG. 1;
 FIG. 5 is a rear view of the design of FIG. 1;
 FIG. 6 is a top view of the design of FIG. 1;
 FIG. 7 is a bottom view of the design of FIG. 1;
 FIG. 8 is a section view of the design of FIG. 2 along line 8-8; and,
 FIG. 9 is a section view of the design of FIG. 5 along line 9-9.

1 Claim, 8 Drawing Sheets



(56)

References Cited

U.S. PATENT DOCUMENTS

2015/0232242 A1* 8/2015 Carlson B65D 53/06
220/367.1

* cited by examiner

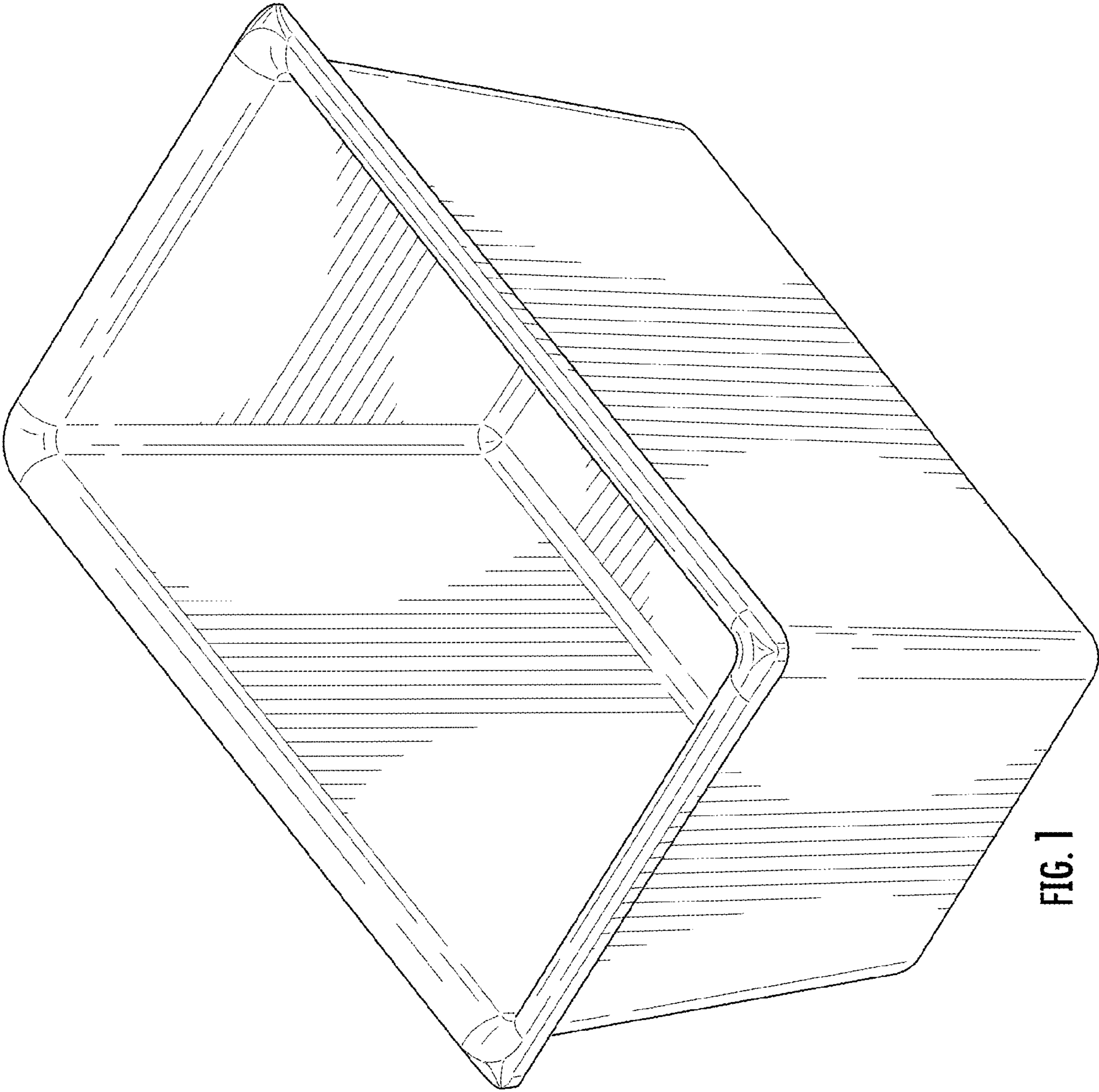


FIG. 1

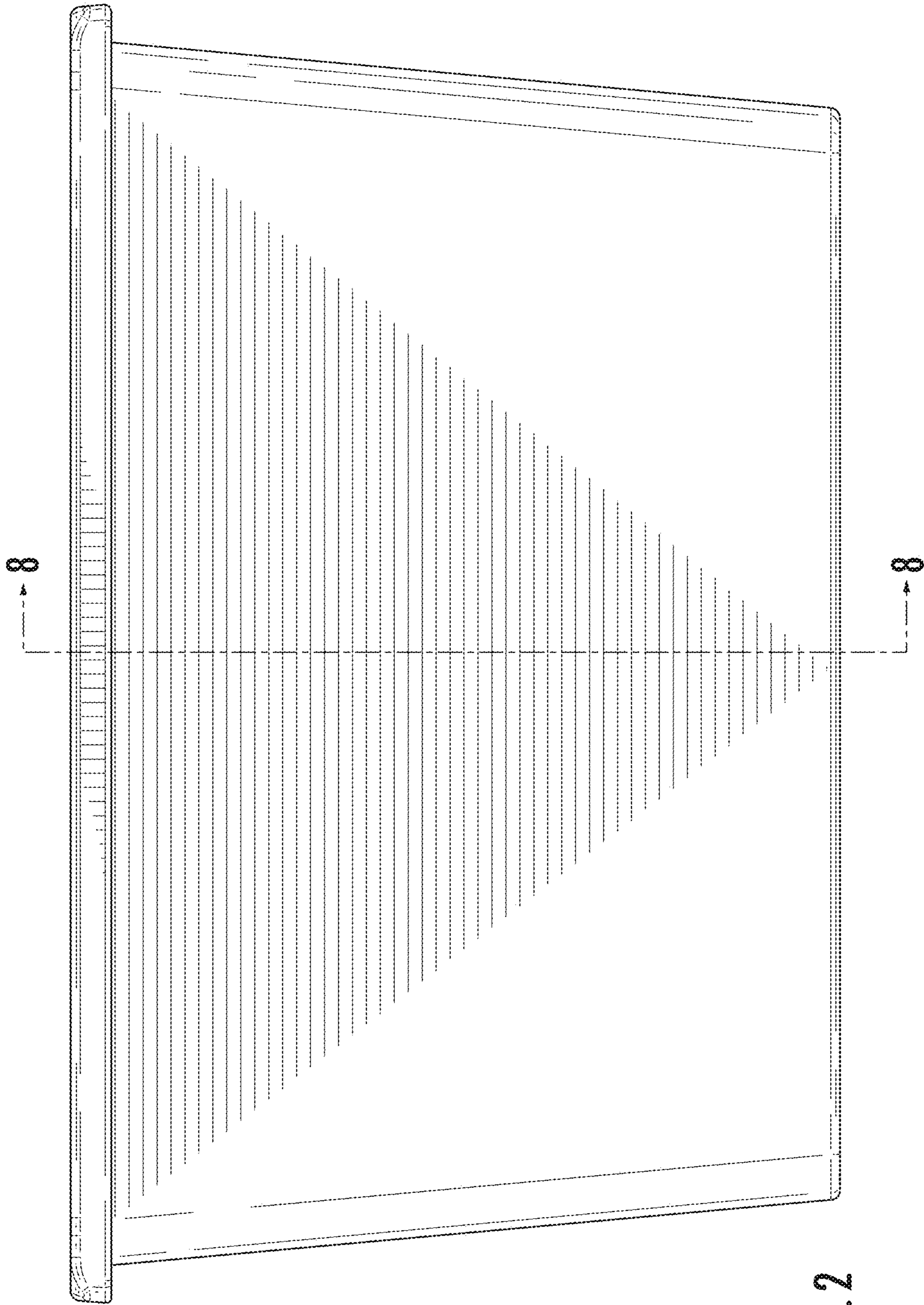


FIG. 2

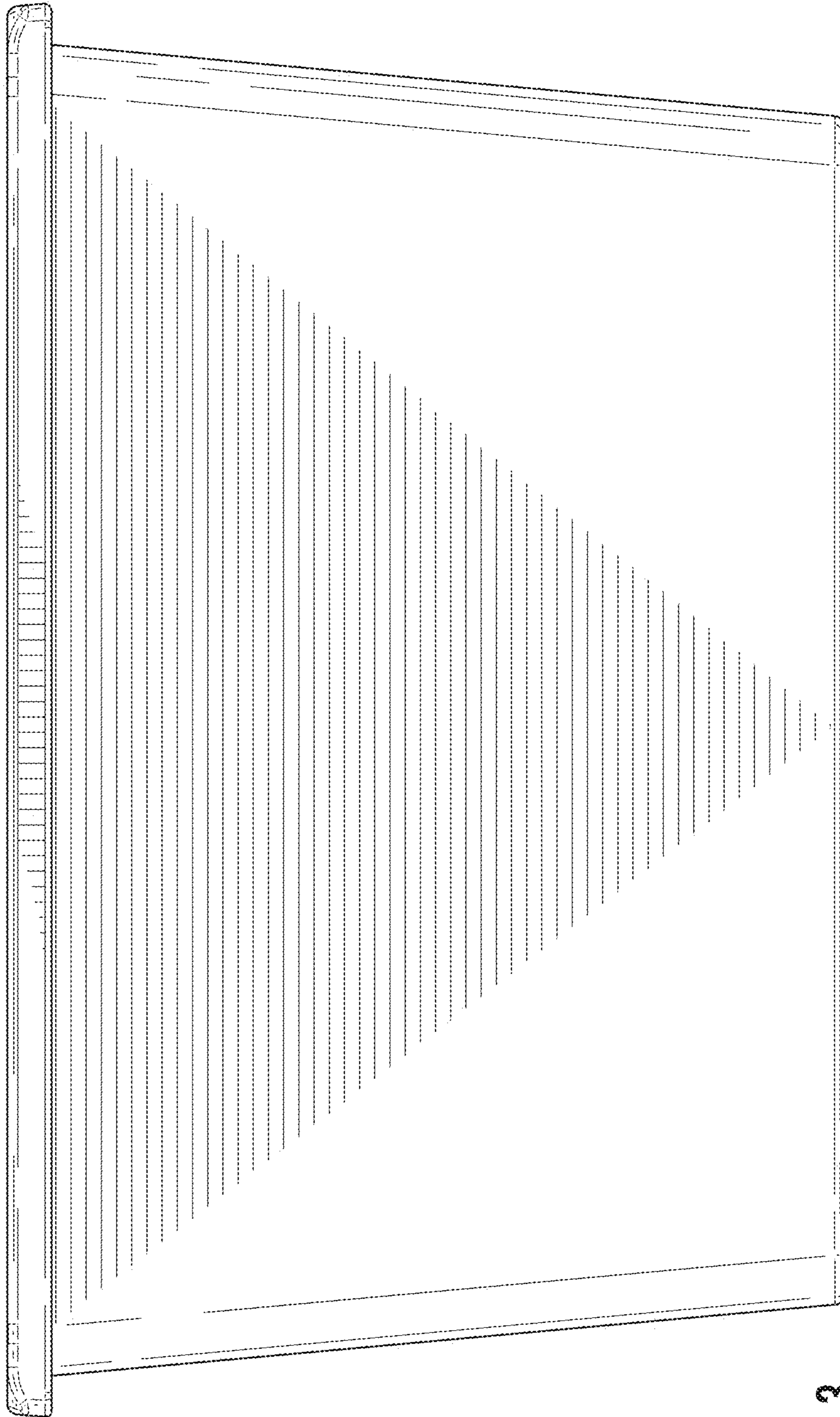


FIG. 3

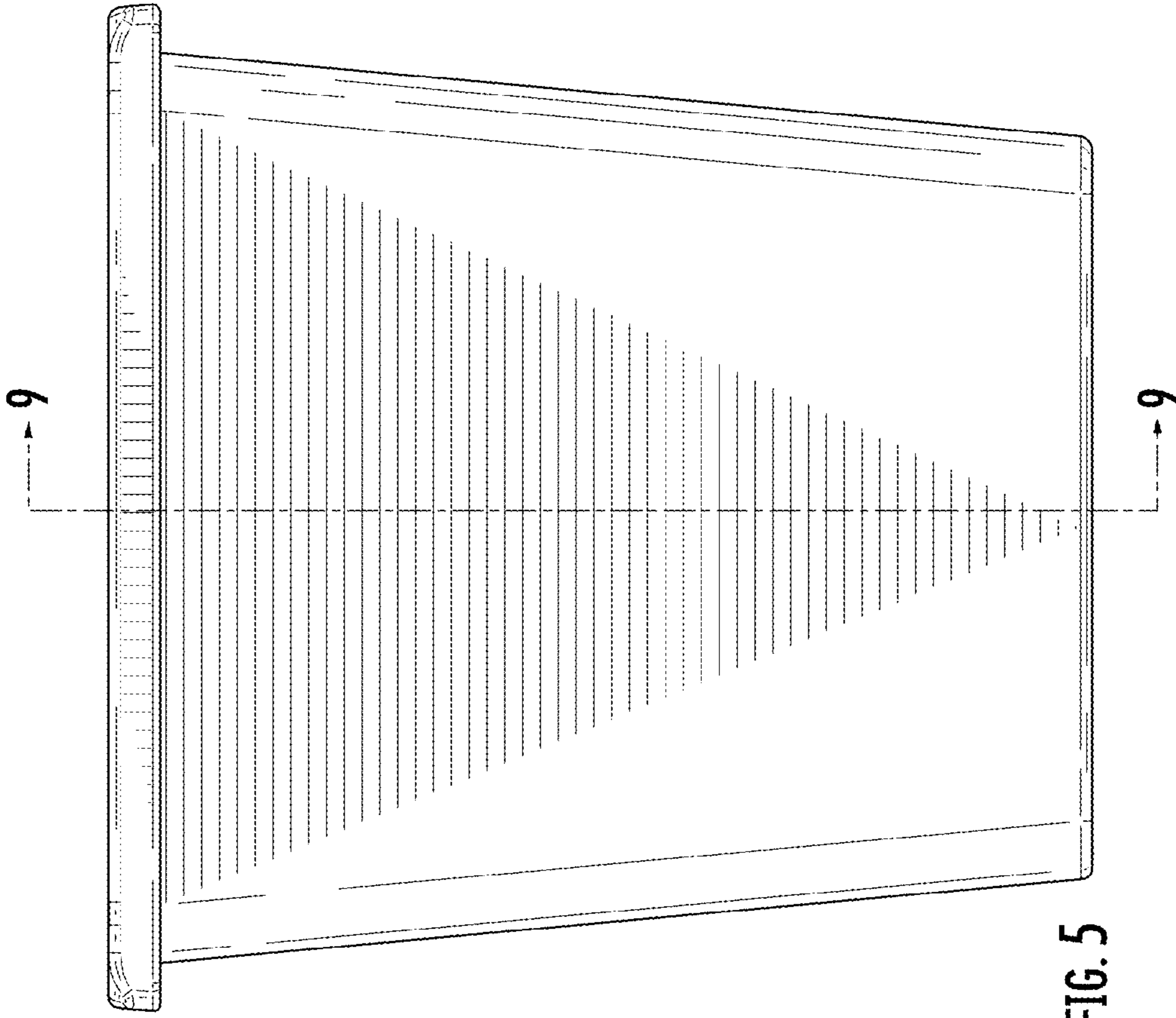


FIG. 5

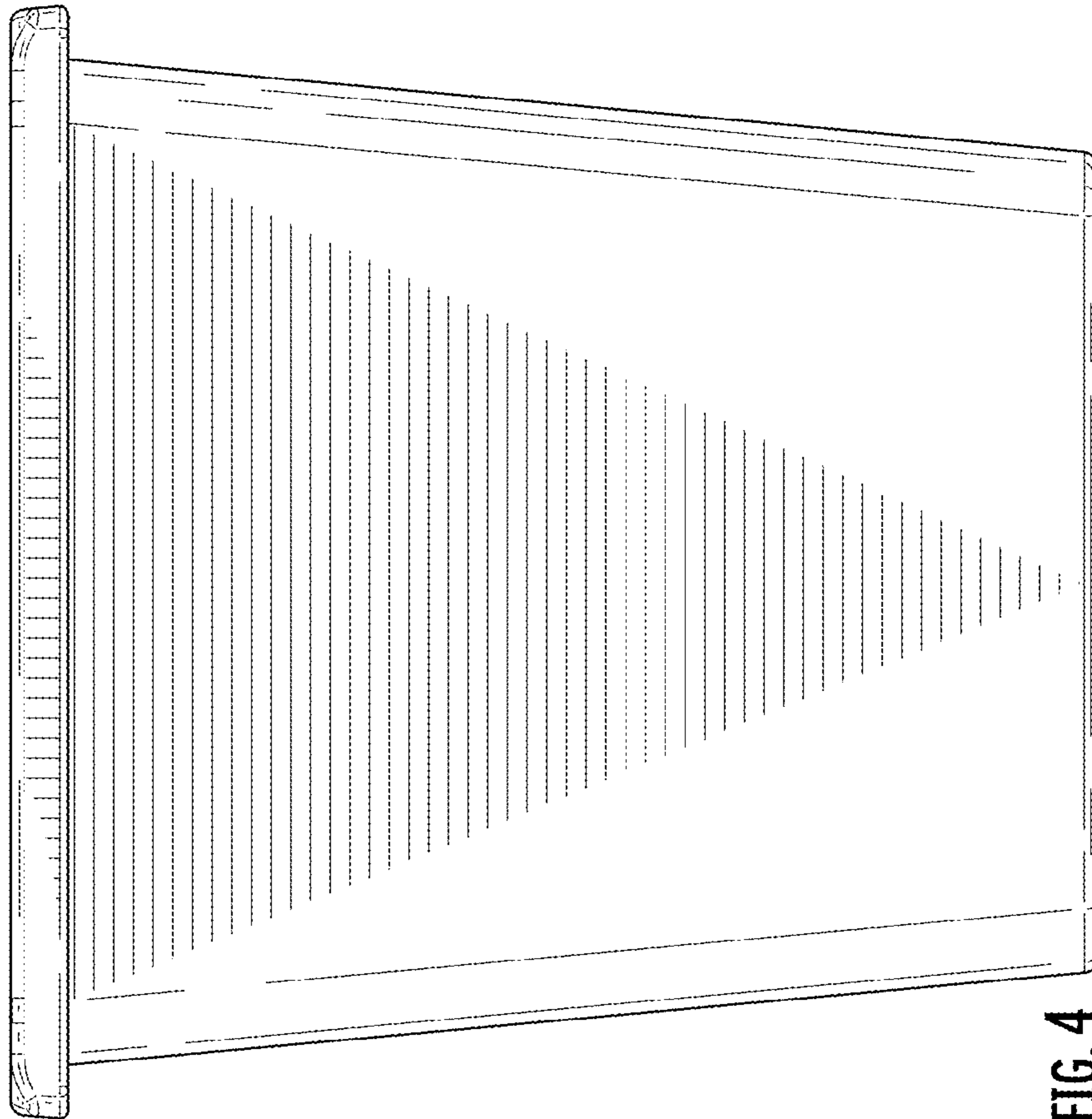


FIG. 4

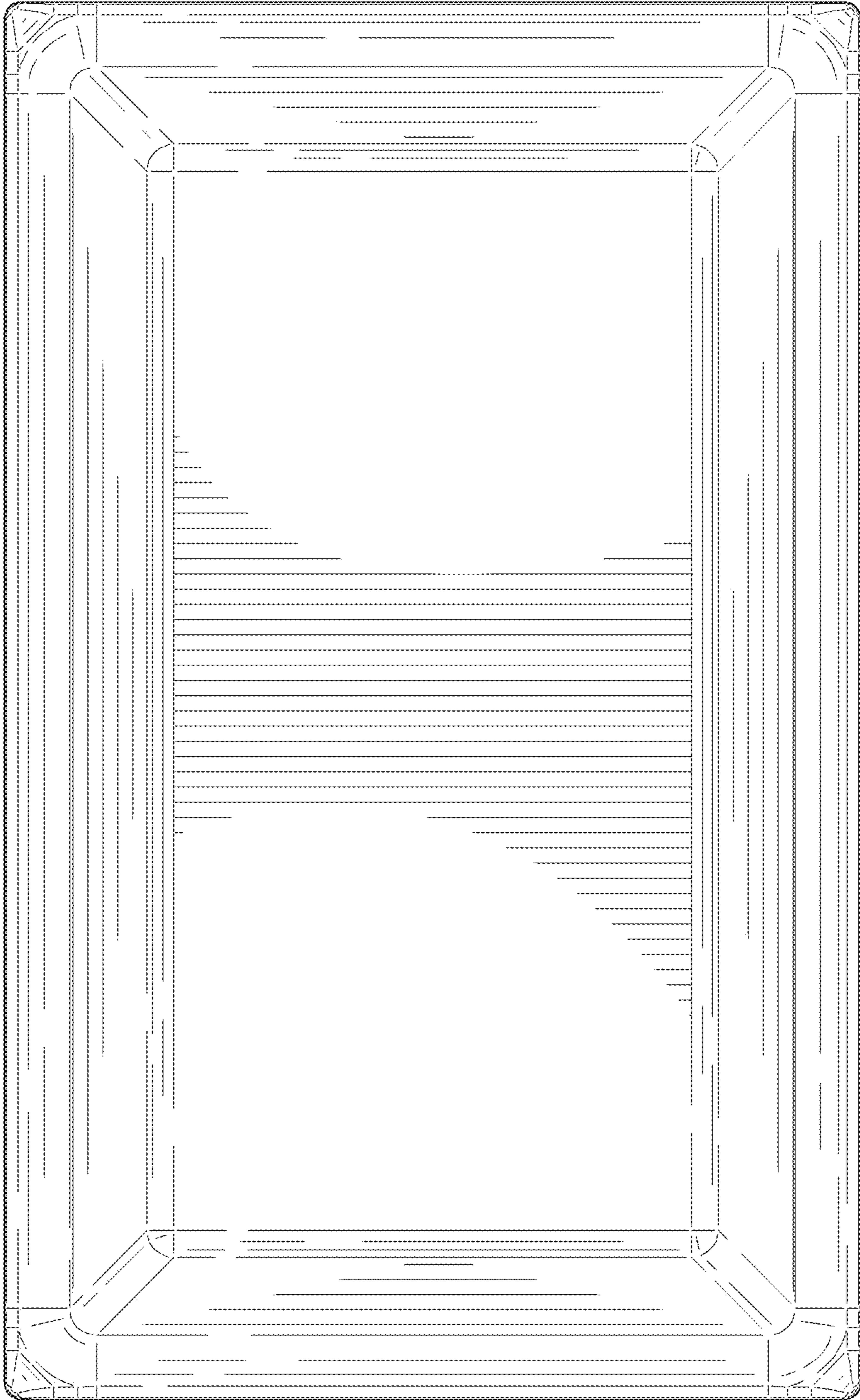


FIG. 6

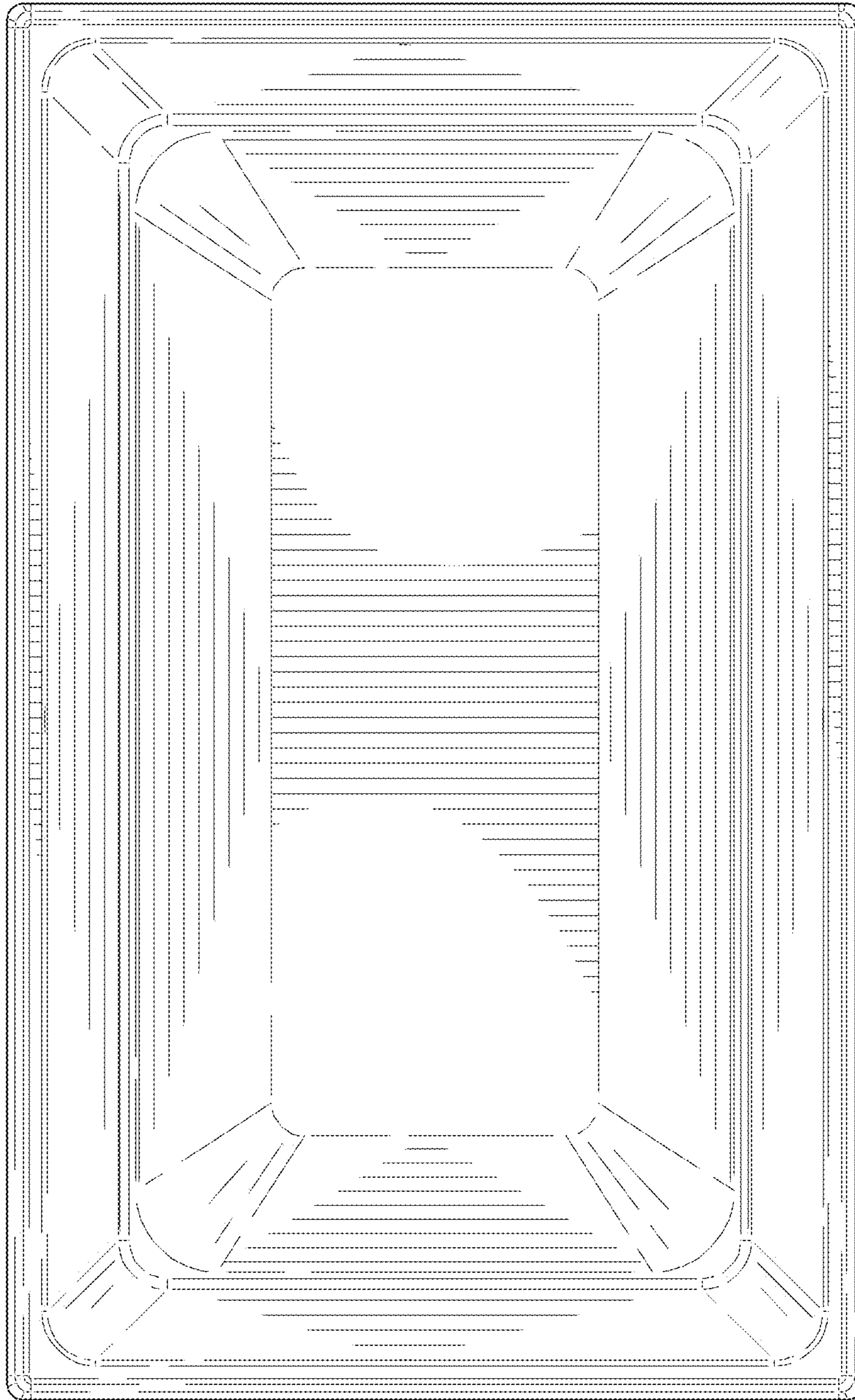


FIG. 7

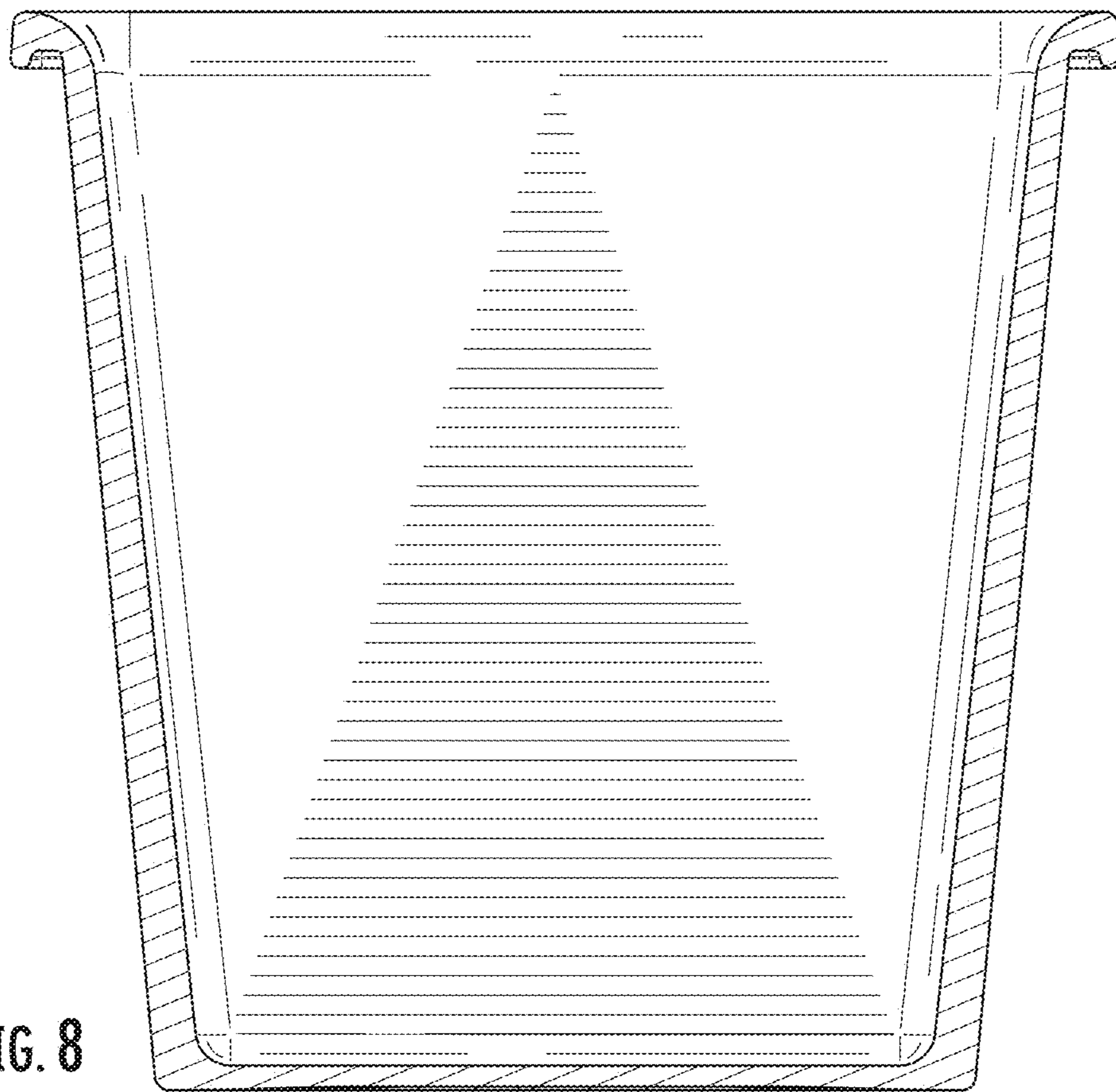


FIG. 8

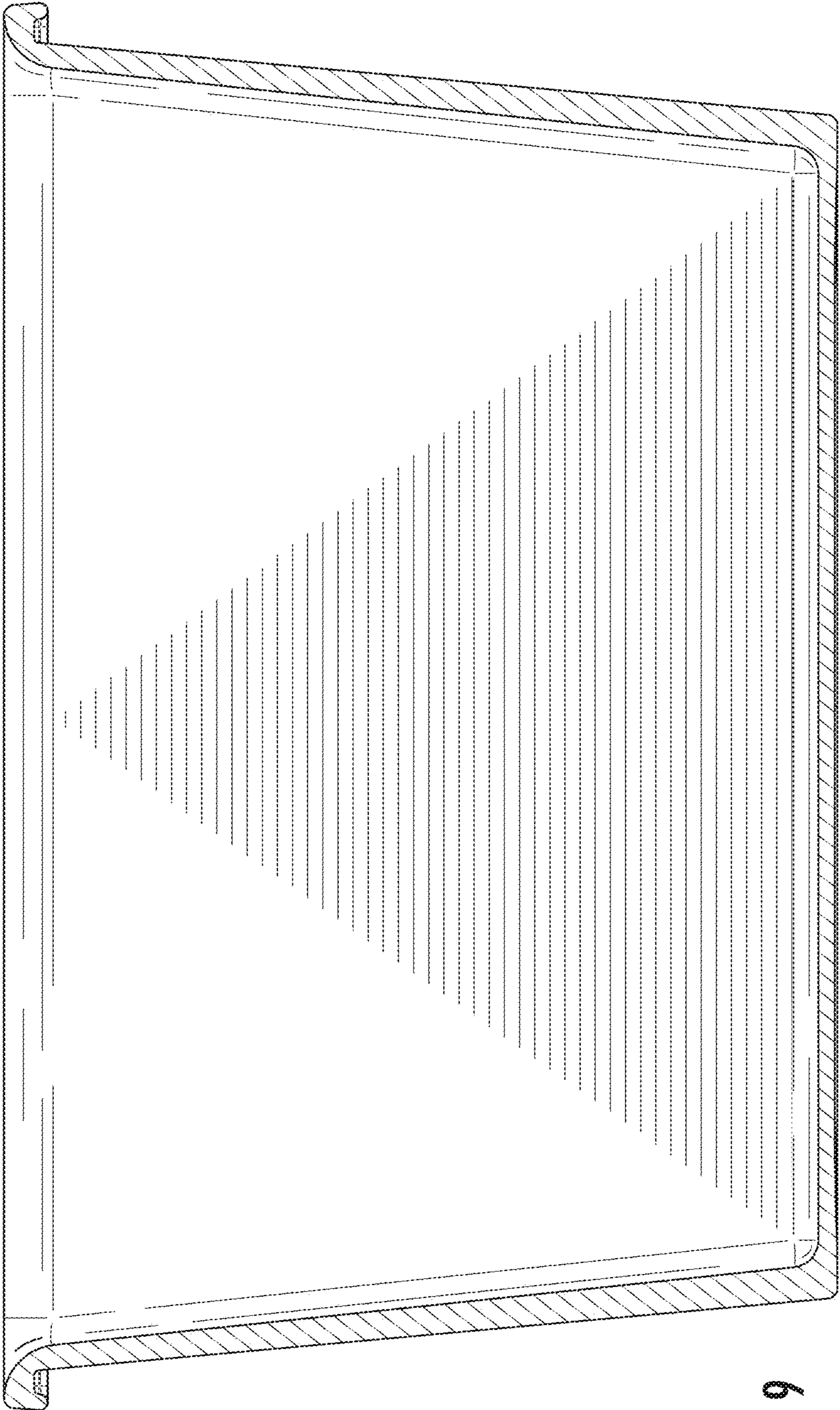


FIG. 9