



US00D915149S

(12) **United States Design Patent** (10) **Patent No.:** **US D915,149 S**  
**Armistead et al.** (45) **Date of Patent:** **\*\* Apr. 6, 2021**

(54) **CONTAINER BASE**  
(71) Applicant: **The Decor Corporation Pty Ltd,**  
Dandenong South (AU)  
(72) Inventors: **Justin Armistead,** The Basin (AU);  
**George Kotsiopoulos,** Bonbeach (AU);  
**Alexander Schoenmakers,** Elwood  
(AU)

D660,095 S \* 5/2012 Kyung ..... D7/629  
D741,664 S \* 10/2015 Kyle ..... D7/629  
D763,629 S \* 8/2016 Swartz ..... D7/629  
D803,631 S \* 11/2017 Min ..... D7/605  
D874,262 S \* 2/2020 Lindsay ..... D9/420  
D887,226 S \* 6/2020 Jacobsen ..... D7/629  
2004/0084464 A1\* 5/2004 Koo ..... B65D 43/0218  
220/784  
2014/0103033 A1\* 4/2014 Beckman ..... B65D 43/0212  
220/4.01

(73) Assignee: **The Decor Corporation Pty Ltd,**  
Dandenong South (AU)

**OTHER PUBLICATIONS**

Justin Armistead et al.; Related U.S. Appl. No. 29/771,425, filed Feb. 23, 2021 entitled Container Lid.

(\*\*) Term: **15 Years**

\* cited by examiner

(21) Appl. No.: **29/659,167**

*Primary Examiner* — Susan E Krakower  
*Assistant Examiner* — Andrew Kerr

(22) Filed: **Aug. 7, 2018**

(74) *Attorney, Agent, or Firm* — Stevens & Showalter LLP

(30) **Foreign Application Priority Data**

Feb. 8, 2018 (AU) ..... 201810754  
Feb. 8, 2018 (AU) ..... 201810757

(57) **CLAIM**

(51) **LOC (13) Cl.** ..... **07-07**  
(52) **U.S. Cl.**  
USPC ..... **D7/602**

The ornamental design for a container base, as shown and described.

(58) **Field of Classification Search**  
USPC ..... D7/602, 629, 701, 703, 396.1; D9/416,  
D9/424, 425, 430, 432, 435, 761;  
D19/102, 106; D3/201, 203.6, 273  
CPC ... B65D 1/26; B65D 1/40; B65D 5/24; B65D  
81/34; B65D 81/3453; B65D 2581/34;  
B65D 2581/3437  
See application file for complete search history.

**DESCRIPTION**

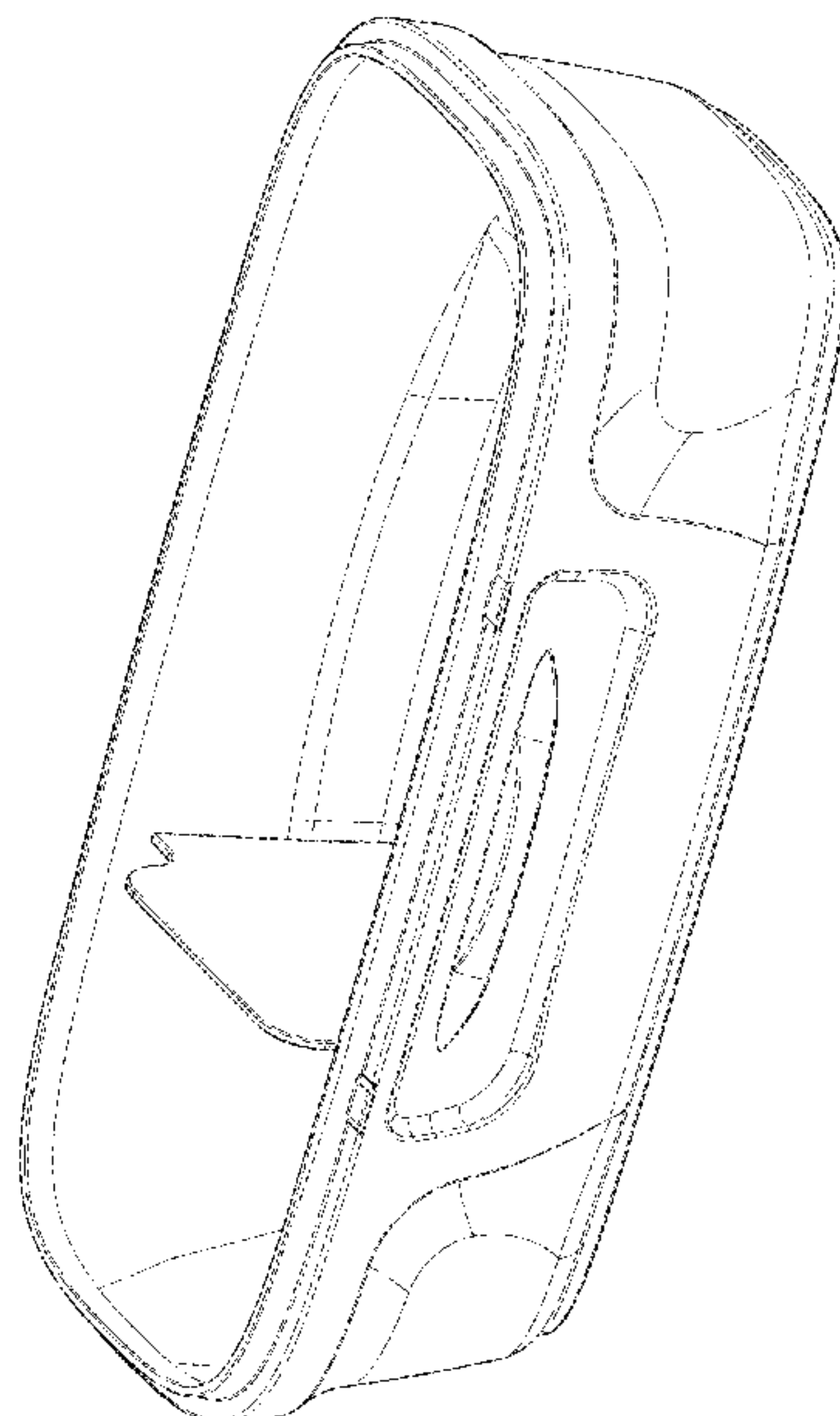
FIG. 1 is a top, right side perspective view of a container base, showing our new design;  
FIG. 2 is a bottom, left side perspective view thereof;  
FIG. 3 is a front elevational view thereof;  
FIG. 4 is a rear elevational view thereof;  
FIG. 5 is a right side elevational view thereof;  
FIG. 6 is a left side elevational view thereof;  
FIG. 7 is a top plan view thereof; and,  
FIG. 8 is a bottom plan view thereof.  
The broken lines in the drawings depict portions of the container base that form no part of the claimed design.

(56) **References Cited**

**U.S. PATENT DOCUMENTS**

D660,092 S \* 5/2012 Kyung ..... D7/629  
D660,094 S \* 5/2012 Kyung ..... D7/629

**1 Claim, 8 Drawing Sheets**



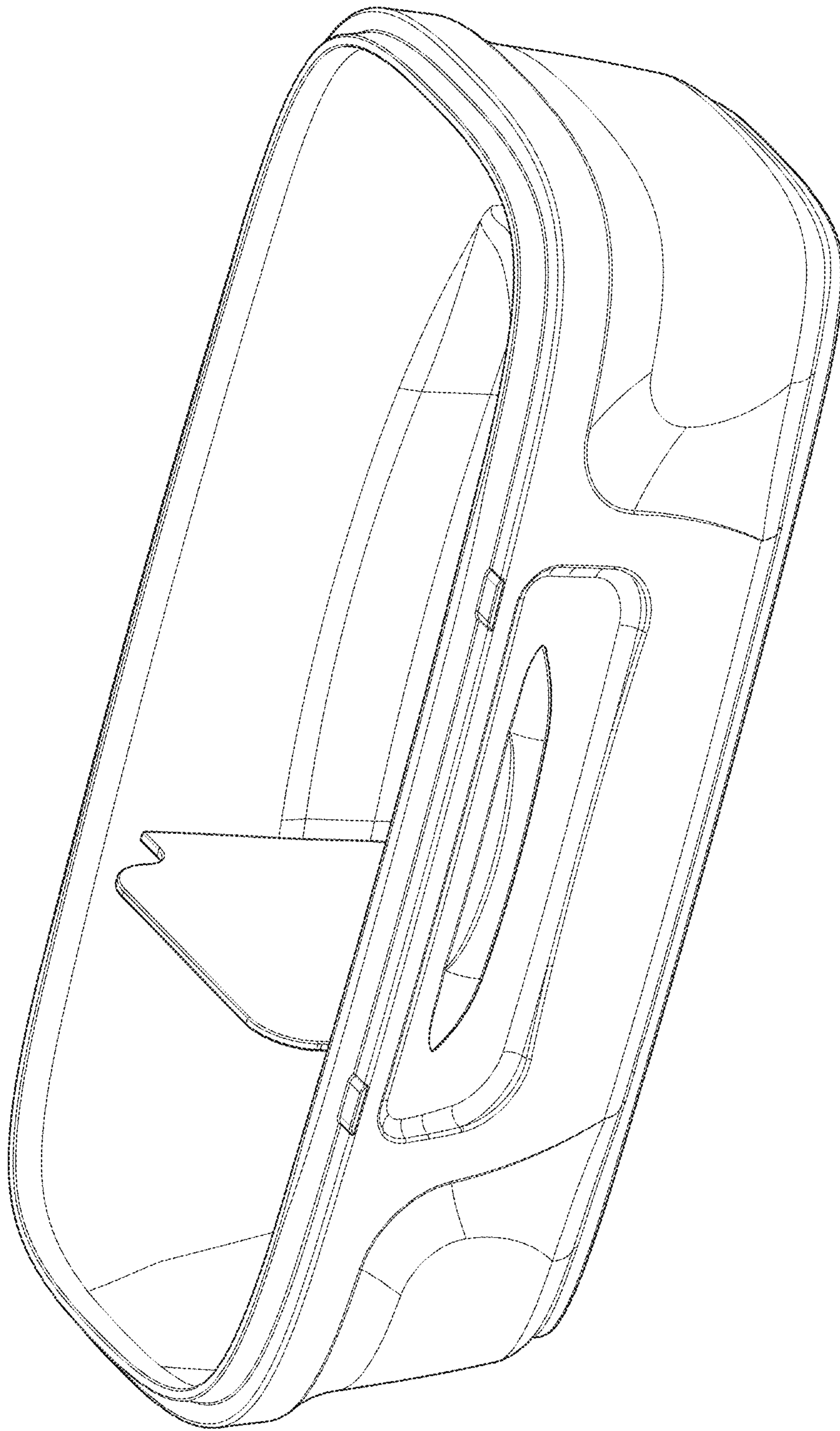


Fig. 1

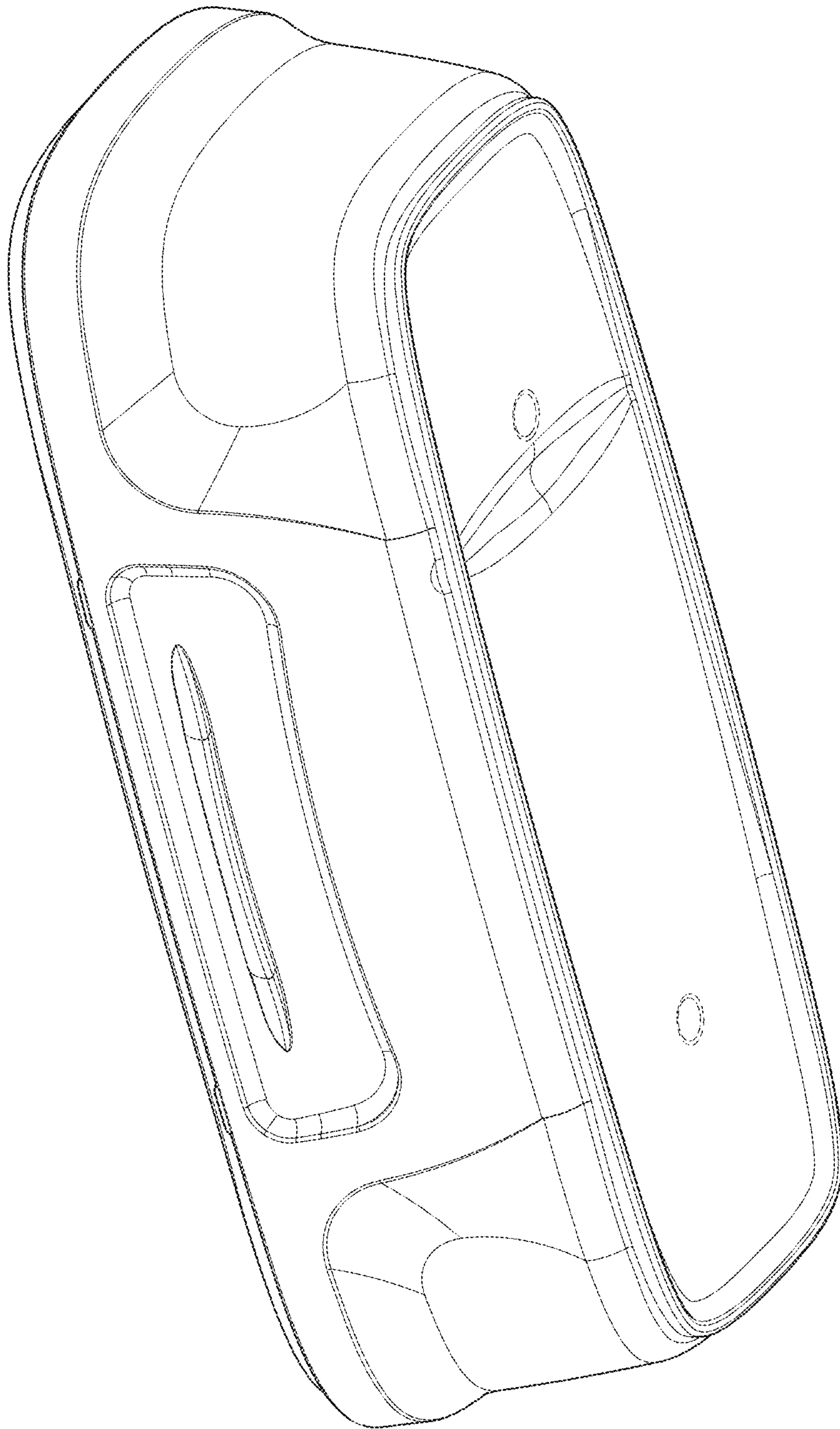


Fig. 2

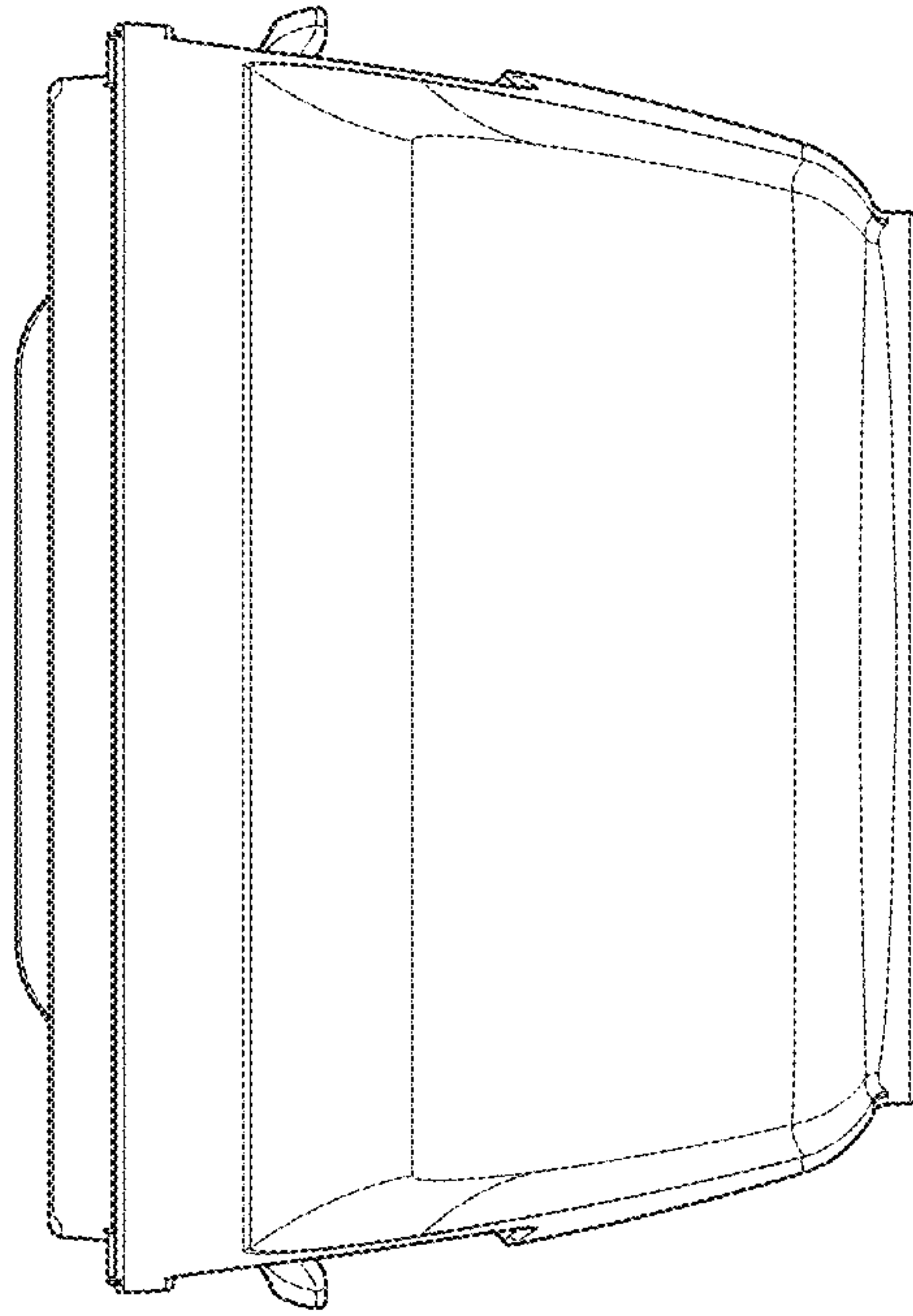


Fig. 3



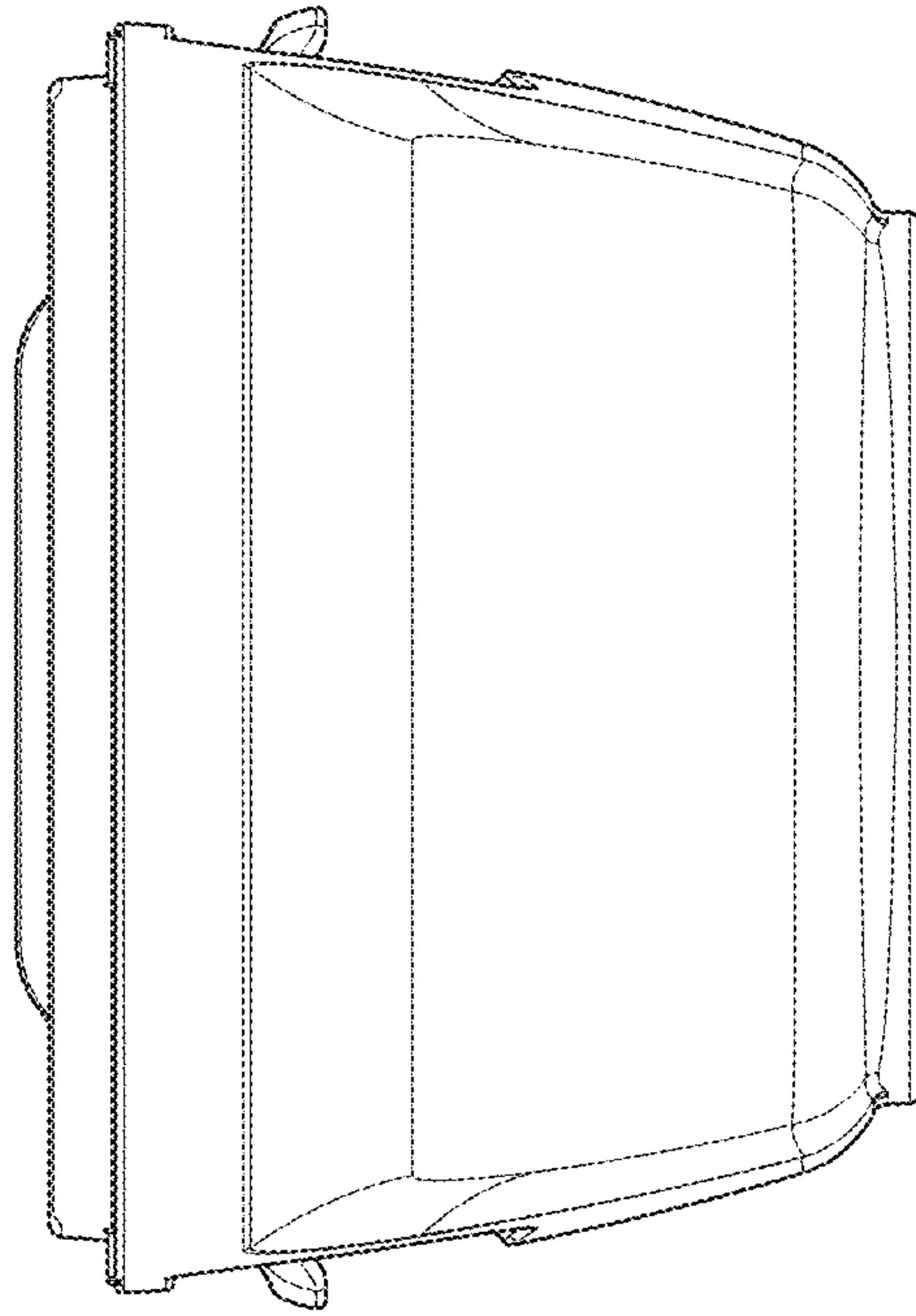


Fig. 4

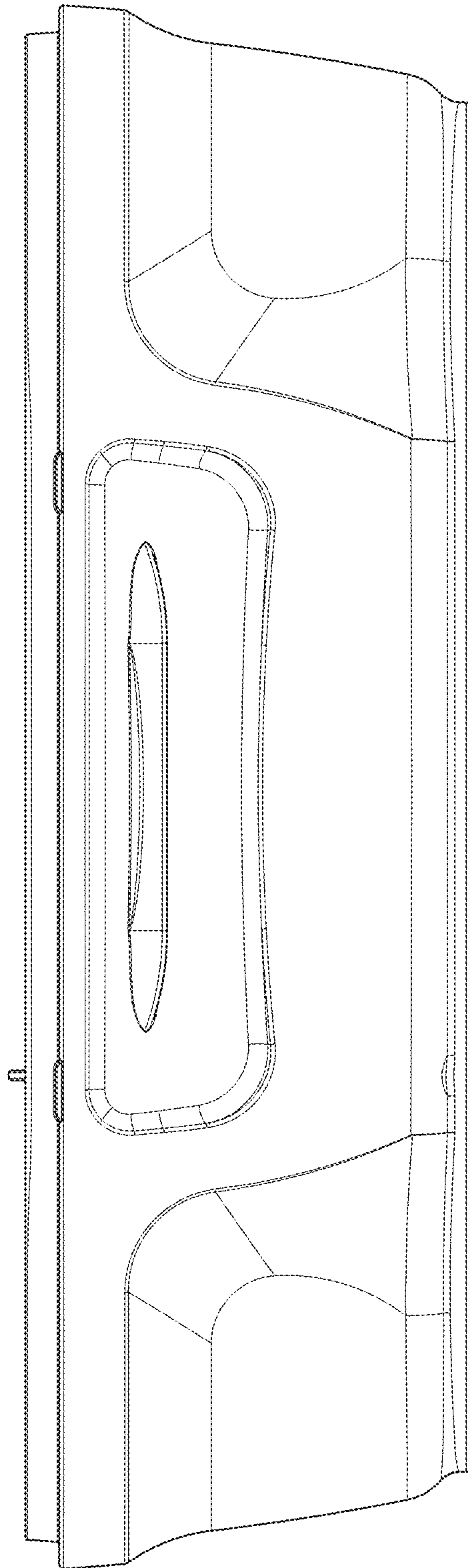


Fig. 5

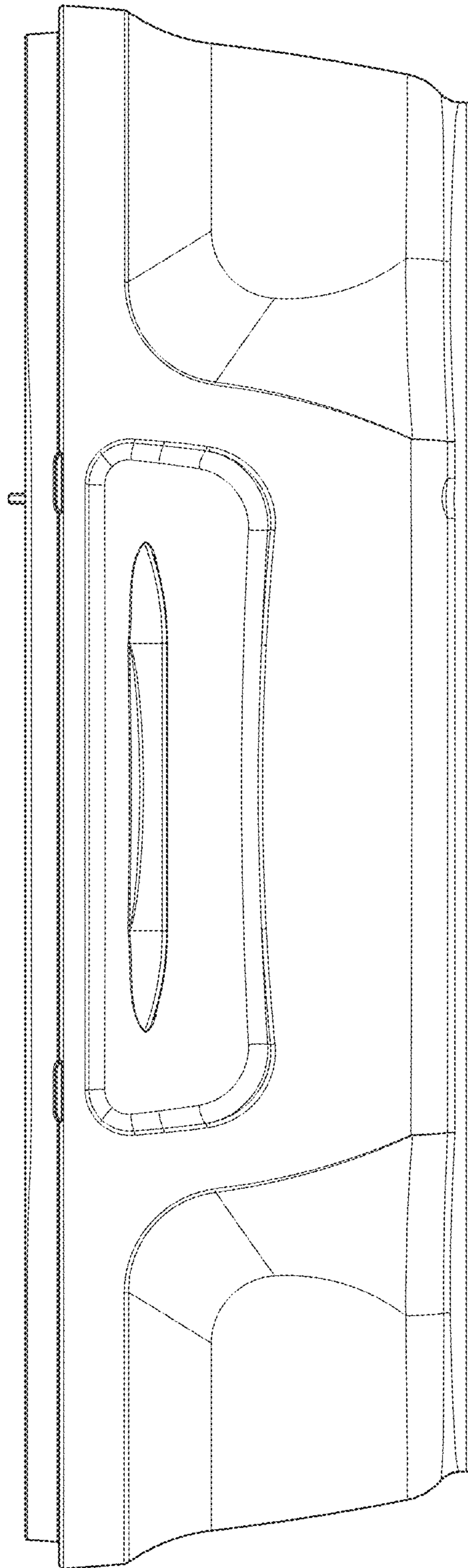


Fig. 6

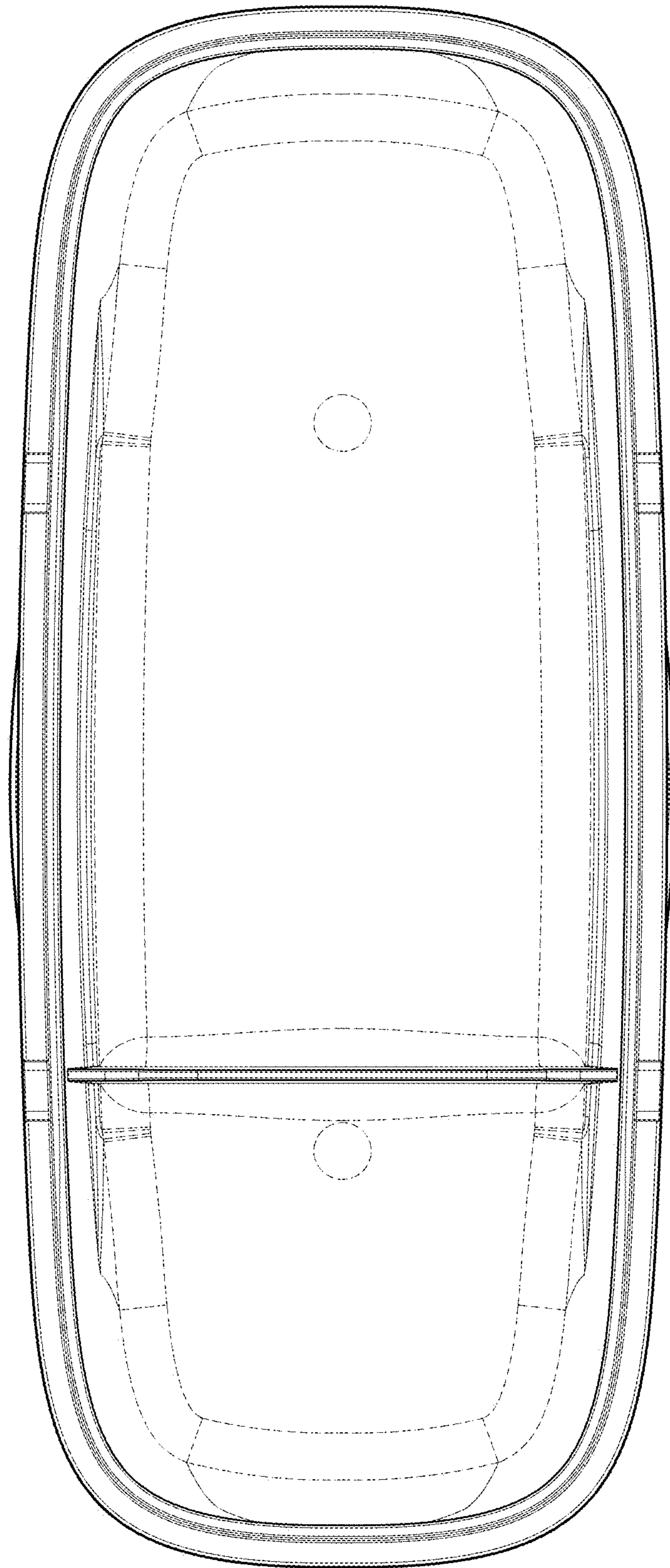


Fig. 7



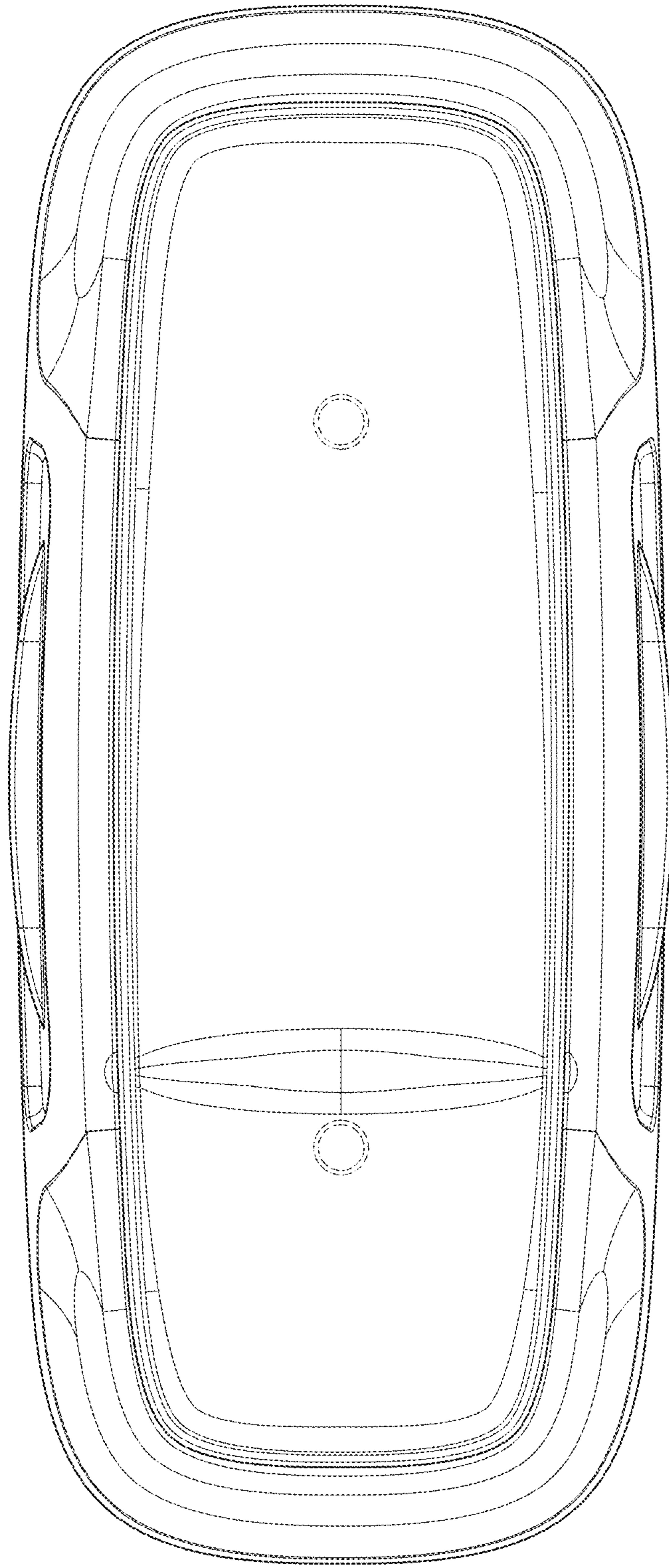


Fig. 8