



US00D915148S

(12) **United States Design Patent** (10) **Patent No.:** **US D915,148 S**
Li (45) **Date of Patent:** **** Apr. 6, 2021**

(54) **SPICE RACK** 4,714,305 A * 12/1987 Service A47B 77/16
211/74
(71) Applicant: **DONGGUAN HUI QI CHENG** D332,724 S * 1/1993 Porter D6/567
HOUSEHOLD GOODS CO., LTD, D406,218 S * 3/1999 Schneider D7/590
Dongguan (CN) D568,657 S * 5/2008 Snider A47K 3/281
D6/525
(72) Inventor: **Xuewen Li, Dongguan (CN)** D739,681 S * 9/2015 Bee D7/600.4
D747,152 S * 1/2016 Smith D7/600.1
D760,033 S * 6/2016 Khaitan D7/600.4
(73) Assignee: **DONGGUAN HUI QI CHENG** D842,005 S * 3/2019 Tsai D6/566
HOUSEHOLD GOODS CO., LTD, D862,922 S * 10/2019 Stelmarski D6/525
Dongguan (CN) D873,081 S * 1/2020 Goodman D7/600.1
D904,127 S * 12/2020 Song D7/600.1
D905,467 S * 12/2020 Rubin D6/570
2019/0038110 A1 * 2/2019 Manooki A47J 47/20

(**) Term: **15 Years**
(21) Appl. No.: **29/712,440**
(22) Filed: **Nov. 8, 2019**
(51) **LOC (13) Cl.** **07-99**
(52) **U.S. Cl.**
USPC **D7/600.4**
(58) **Field of Classification Search**
USPC D7/590, 600.1, 600.2, 600.3, 600.4, 387,
D7/401.1, 213; D6/512, 524, 525, 552,
D6/553, 556, 558, 566, 567, 569, 570,
D6/574; D9/737, 741, 756, 759, 760,
D9/761
CPC A47J 47/16; A47B 47/00; A47B 47/0091;
A47B 81/00; A47B 81/007; A47F 7/00;
A47F 5/10; A47F 5/13
See application file for complete search history.

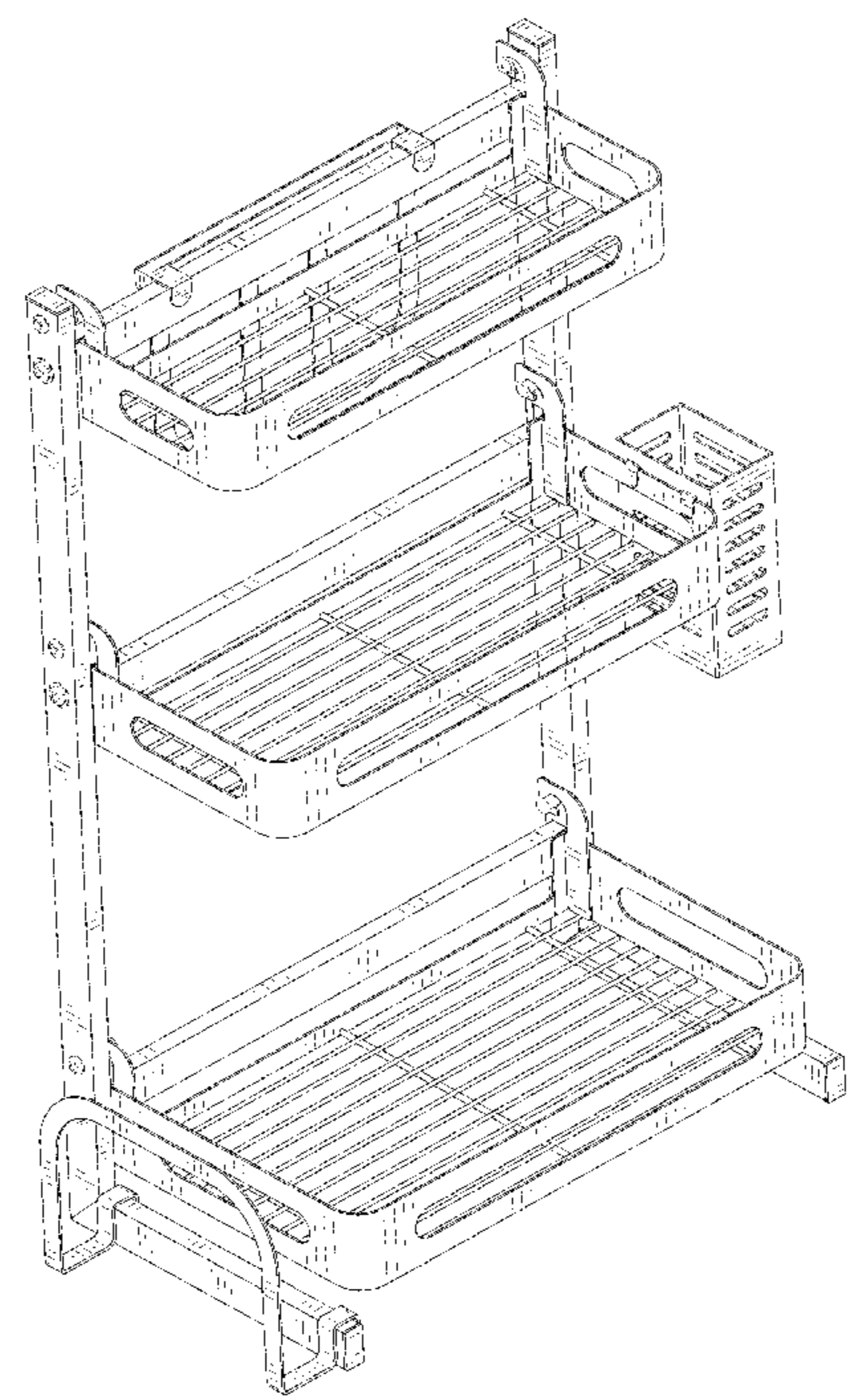
(56) **References Cited**
U.S. PATENT DOCUMENTS
3,139,258 A * 6/1964 Handler A47B 57/425
248/243
D251,999 S * 6/1979 Bautista, Jr. D6/525

* cited by examiner
Primary Examiner — Derrick E Holland
Assistant Examiner — Andrew Kerr

(57) **CLAIM**
The ornamental design for a spice rack, as shown and described.

DESCRIPTION
FIG. 1 is a perspective view of a spice rack showing my new design;
FIG. 2 is another perspective view thereof;
FIG. 3 is a front elevational view thereof;
FIG. 4 is a rear elevational view thereof;
FIG. 5 is a left side elevational view thereof;
FIG. 6 is a right side elevational view thereof;
FIG. 7 is a top plan view thereof; and,
FIG. 8 is a bottom plan view thereof.
The broken lines in the drawings depict portions of the spice rack that form no part of the claimed design.

1 Claim, 8 Drawing Sheets



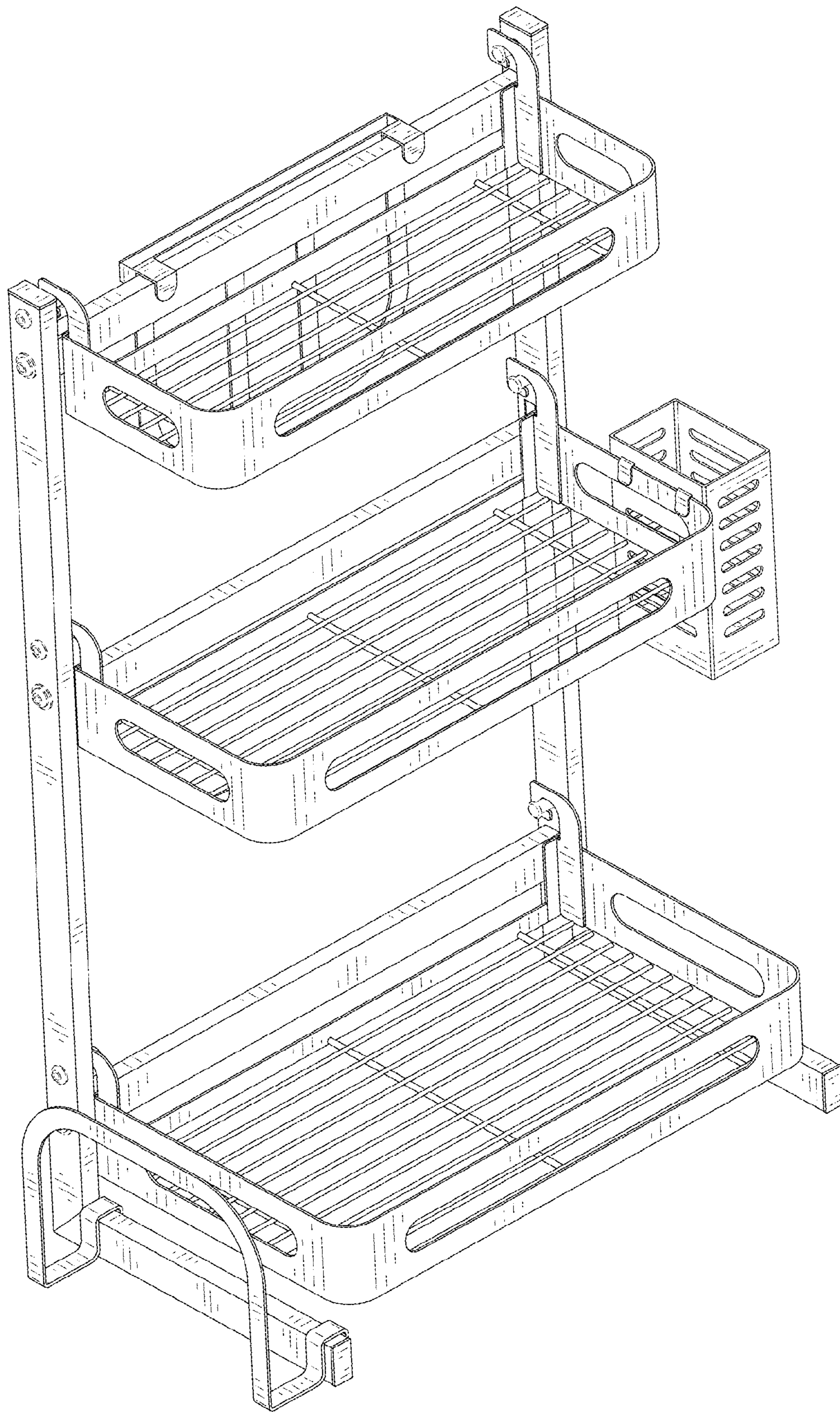


FIG. 1

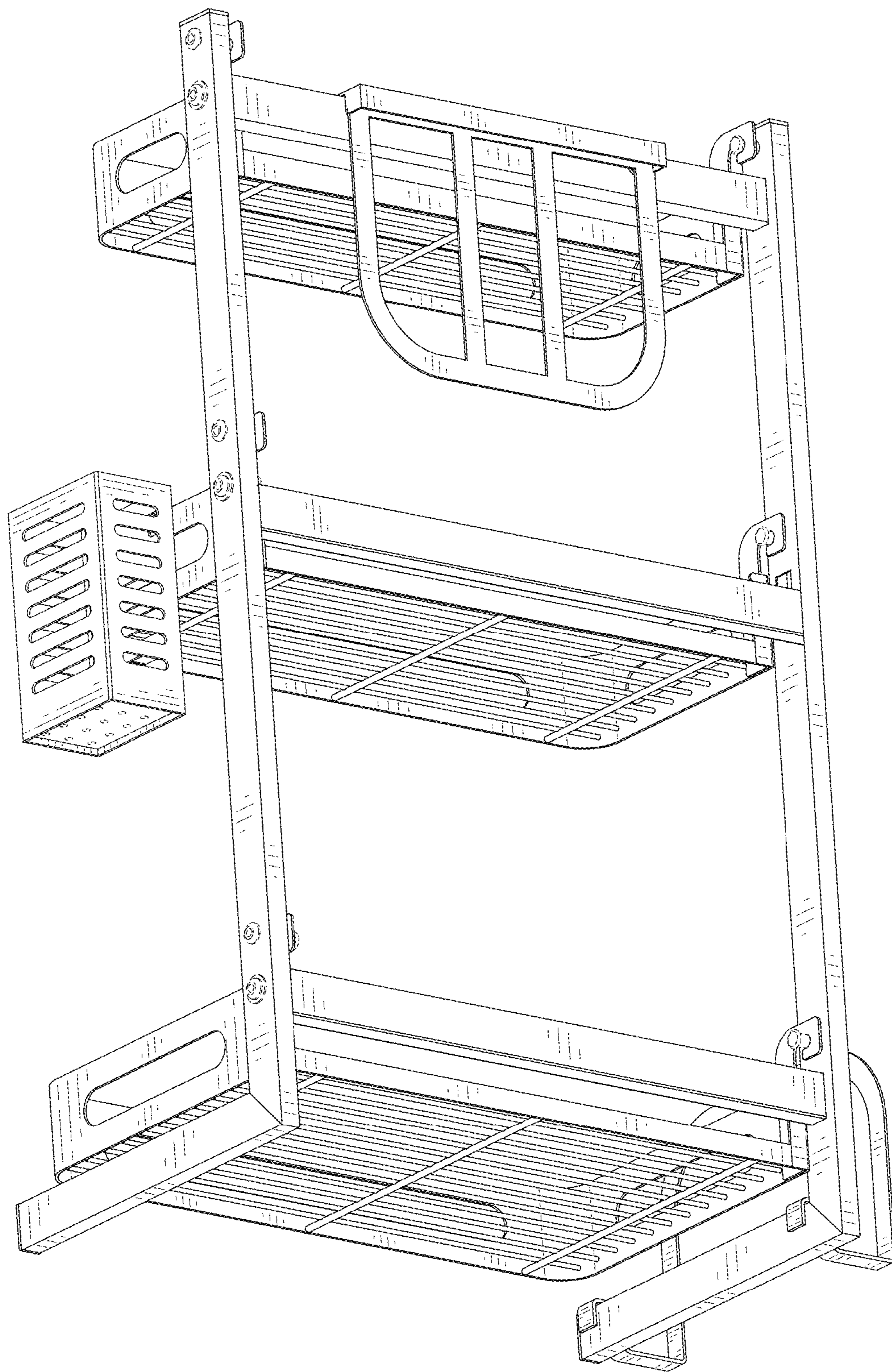


FIG. 2

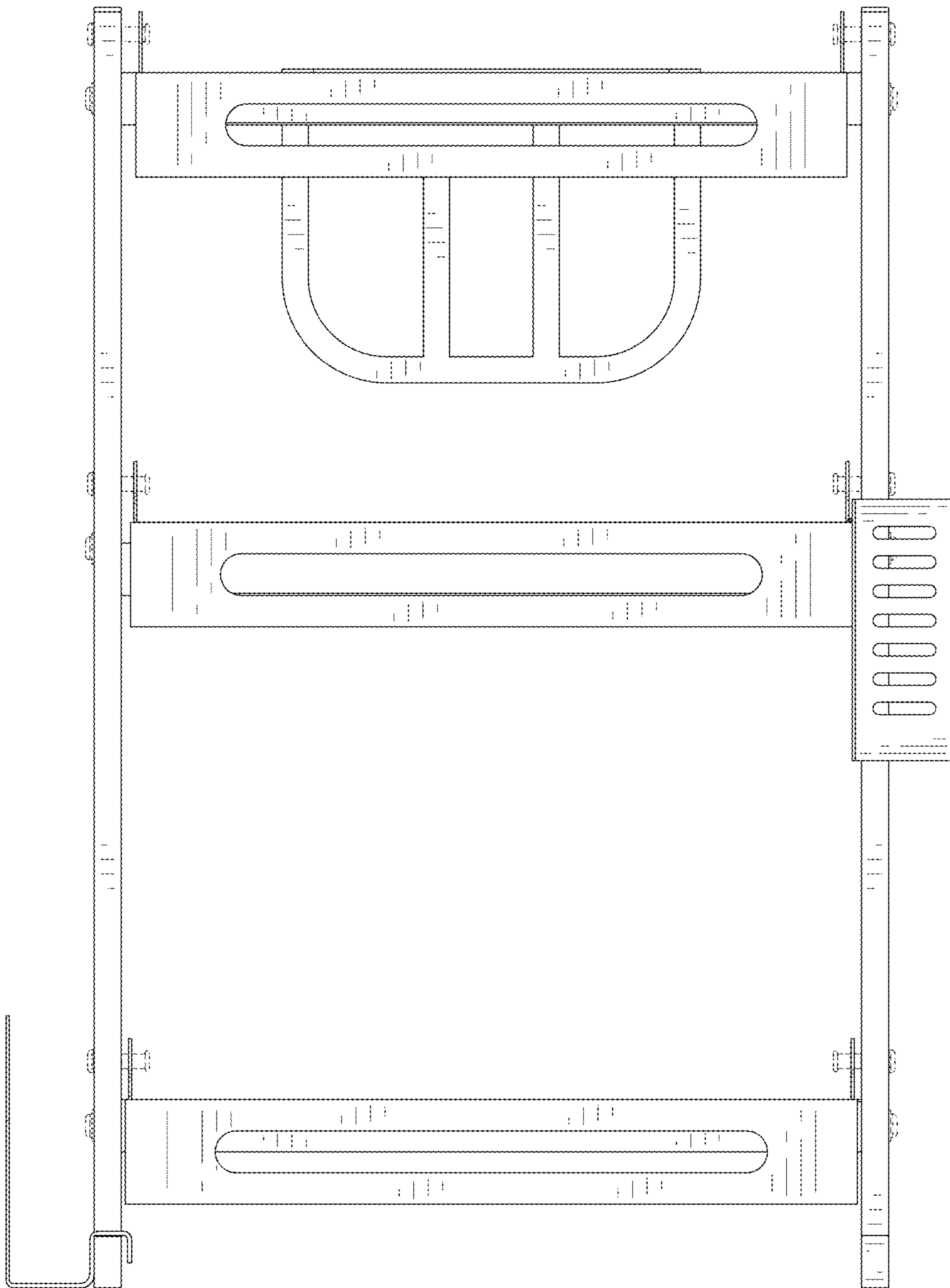


FIG. 3

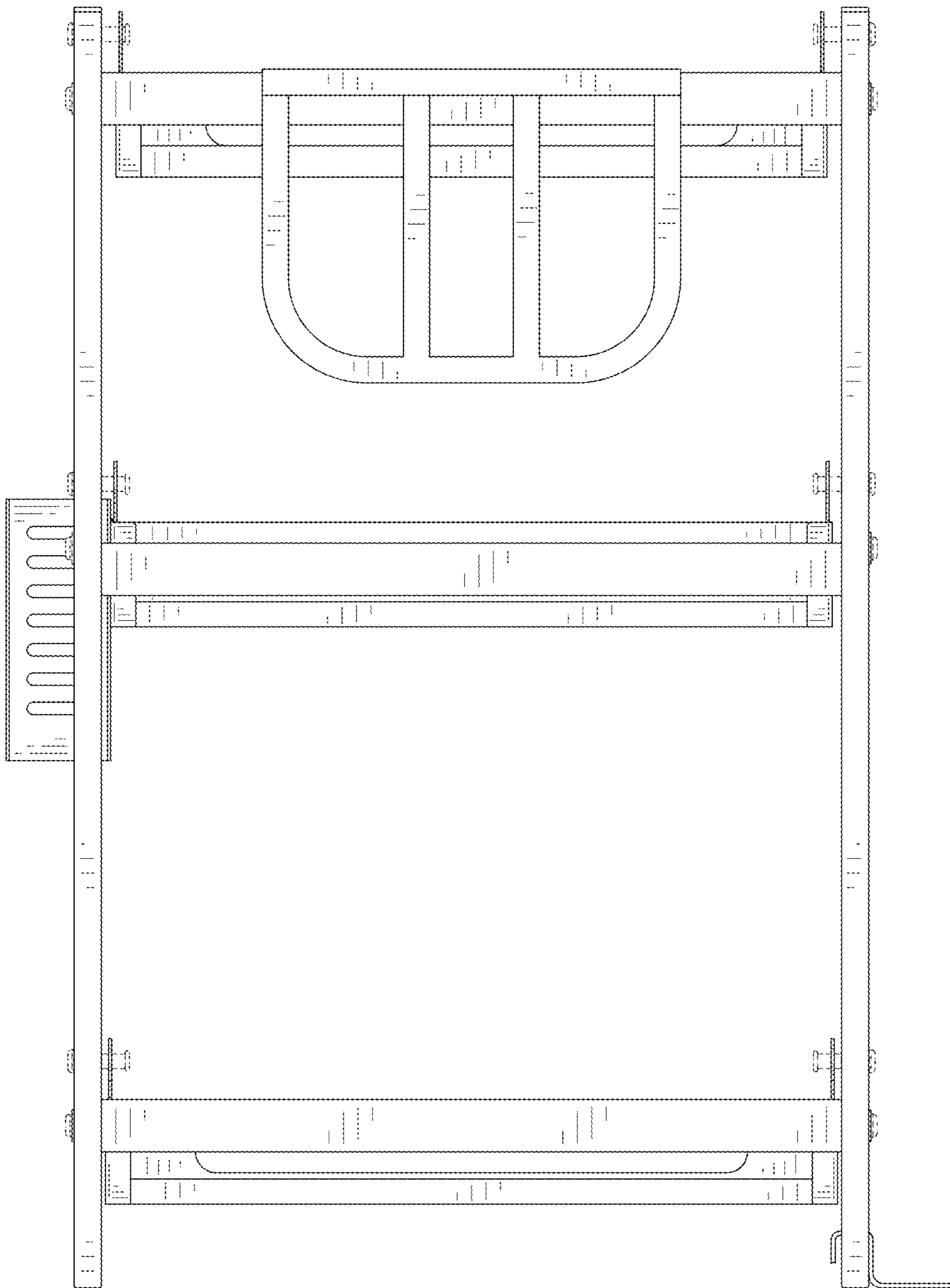


FIG. 4

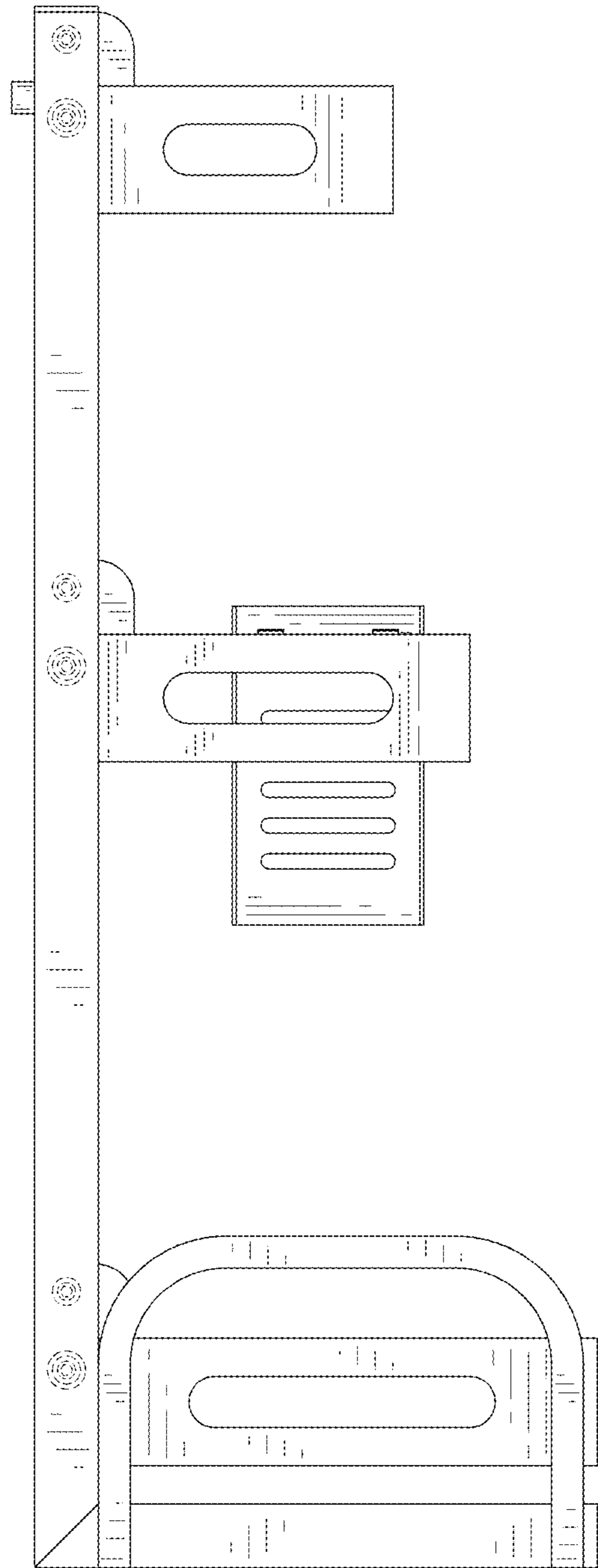


FIG. 5

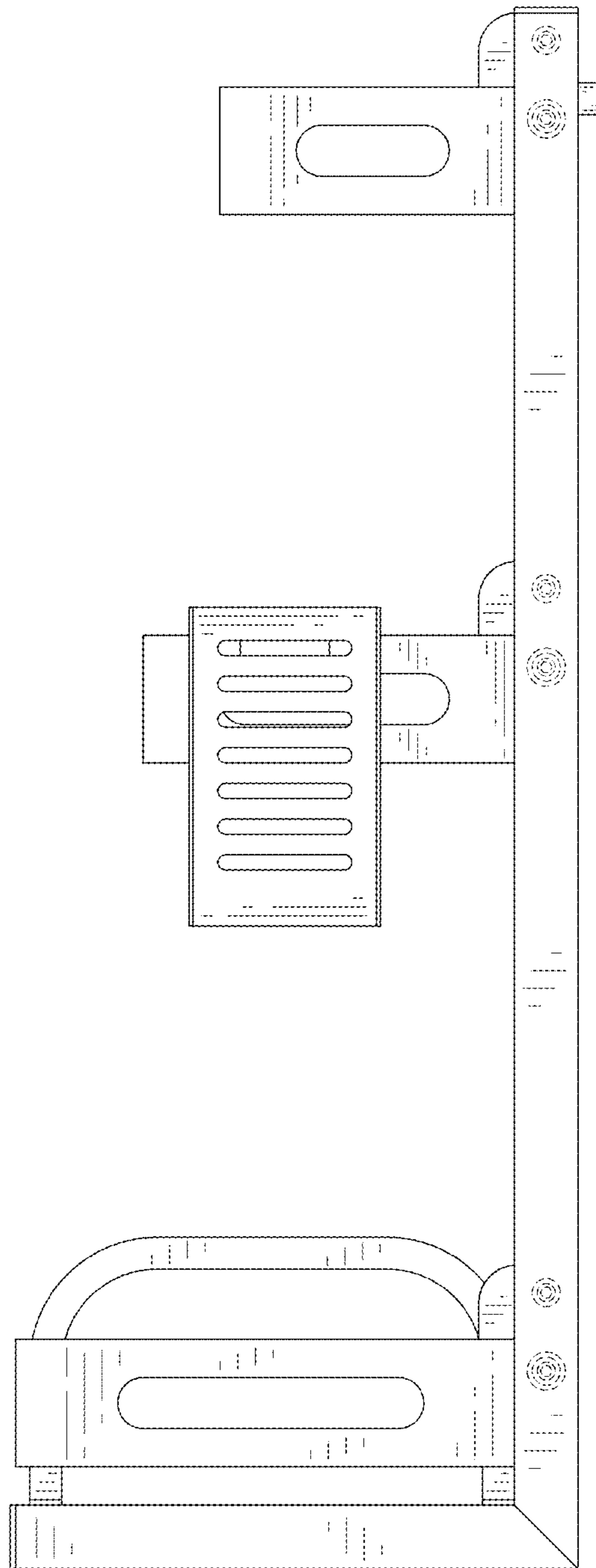


FIG. 6

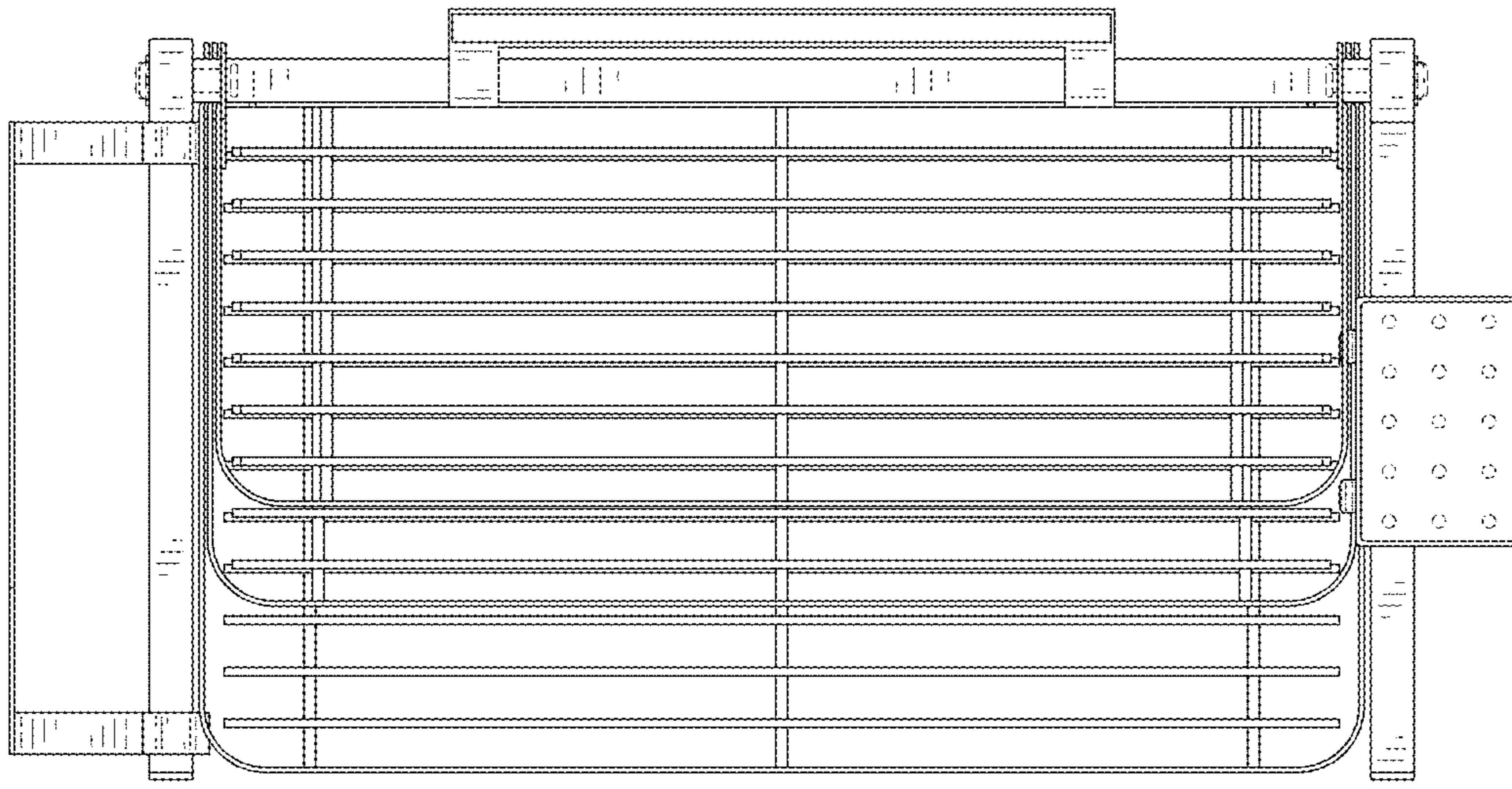


FIG. 7

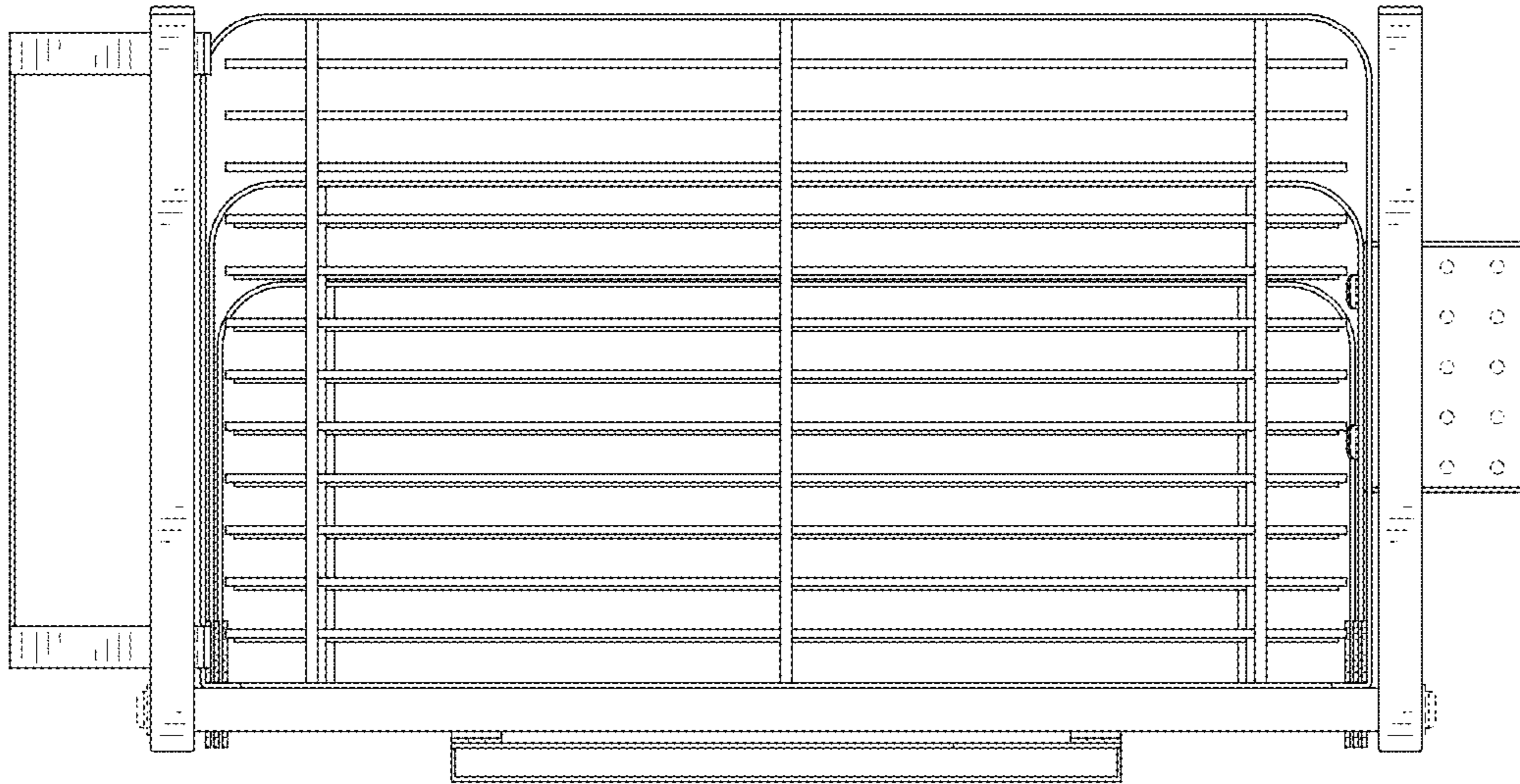


FIG. 8