



US00D915145S

(12) **United States Design Patent**
Huang

(10) **Patent No.:** **US D915,145 S**

(45) **Date of Patent:** **** Apr. 6, 2021**

(54) **CAKE PLATE**

(71) Applicant: **Hongye Huang**, Fujian (CN)

(72) Inventor: **Hongye Huang**, Fujian (CN)

(**) Term: **15 Years**

(21) Appl. No.: **29/751,763**

(22) Filed: **Sep. 23, 2020**

(51) **LOC (13) Cl.** **07-01**

(52) **U.S. Cl.**
USPC **D7/558**

(58) **Field of Classification Search**
USPC D7/550.1, 554.1, 554.2, 554.4, 558, 560,
D7/565, 584, 585, 586, 588, 602, 610,
D7/396.1, 396.6; D6/685-687, 692,
D6/692.1-692.6, 707, 707.2, 708.17,
D6/708.2

CPC A47G 2400/061; A47B 7/00; A47B 11/00;
A47B 13/08; A47B 13/083; A47B 13/14
See application file for complete search history.

(56) **References Cited**

U.S. PATENT DOCUMENTS

D83,873 S *	4/1931	Moorehead	D6/708
D127,271 S *	5/1941	Gustkey	D7/558
D376,935 S *	12/1996	Nourse	D6/692.3
D411,398 S *	6/1999	Brothen	D6/707.1
D440,081 S *	4/2001	Jeup	D6/692.3
D441,258 S *	5/2001	Spiegelman	D7/501
D446,054 S *	8/2001	Jeup	D6/692.3
D459,532 S *	6/2002	Dolan	D26/110
D460,883 S *	7/2002	Stanton	D6/692.1
D494,782 S *	8/2004	Stanton	D6/692.3
D502,618 S *	3/2005	O'Hare	D6/692.3

D573,375 S *	7/2008	Kreiss	D6/692.3
D636,637 S *	4/2011	Lupkes	D7/558
8,550,014 B1 *	10/2013	Mariani	A47G 19/00 108/150
D708,462 S *	7/2014	Nye	D6/707.2
D727,668 S *	4/2015	Davis	D6/708.17
D776,982 S	1/2017	Rovetto		
D805,849 S	12/2017	Logan		
D900,552 S *	11/2020	Liao	D7/558

* cited by examiner

Primary Examiner — Susan E Krakower

Assistant Examiner — Andrew Kerr

(74) *Attorney, Agent, or Firm* — ScienBiziP, P.C.

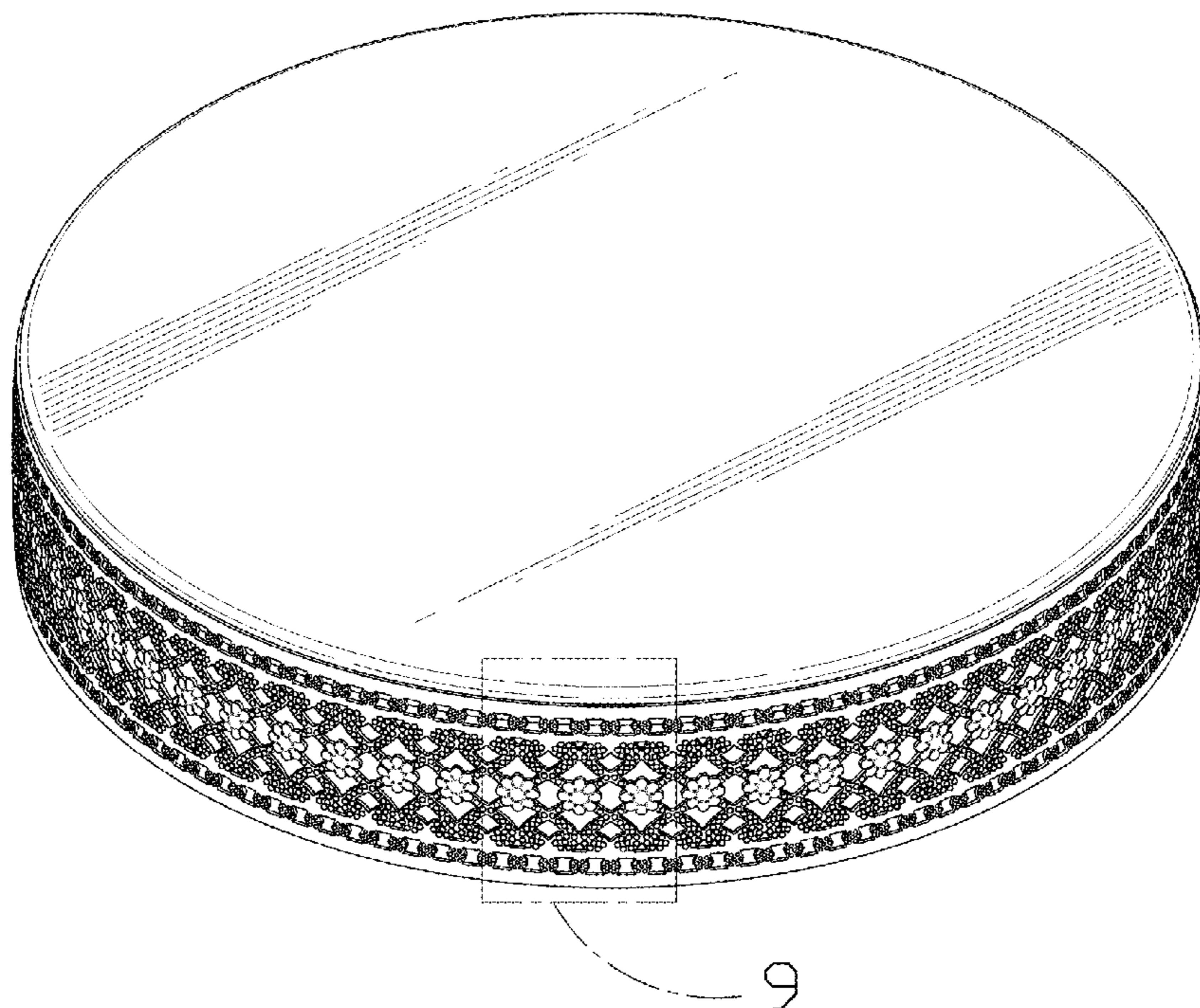
(57) **CLAIM**

The ornamental design for a cake plate, as shown and described.

DESCRIPTION

FIG. 1 is a top perspective view of a cake plate, showing my design.
 FIG. 2 is a bottom perspective view thereof.
 FIG. 3 is a front elevation view thereof.
 FIG. 4 is a rear elevation view thereof.
 FIG. 5 is a left side elevation thereof.
 FIG. 6 is a right side elevation thereof.
 FIG. 7 is a top plan view thereof.
 FIG. 8 is a bottom plan view thereof; and,
 FIG. 9 is an enlarged view of an area labeled 9 in FIG. 1.
 The dot-dash broken lines depict boundary lines which frame portions of the claimed design that are illustrated for enlargements which form no part of the claimed design.

1 Claim, 9 Drawing Sheets



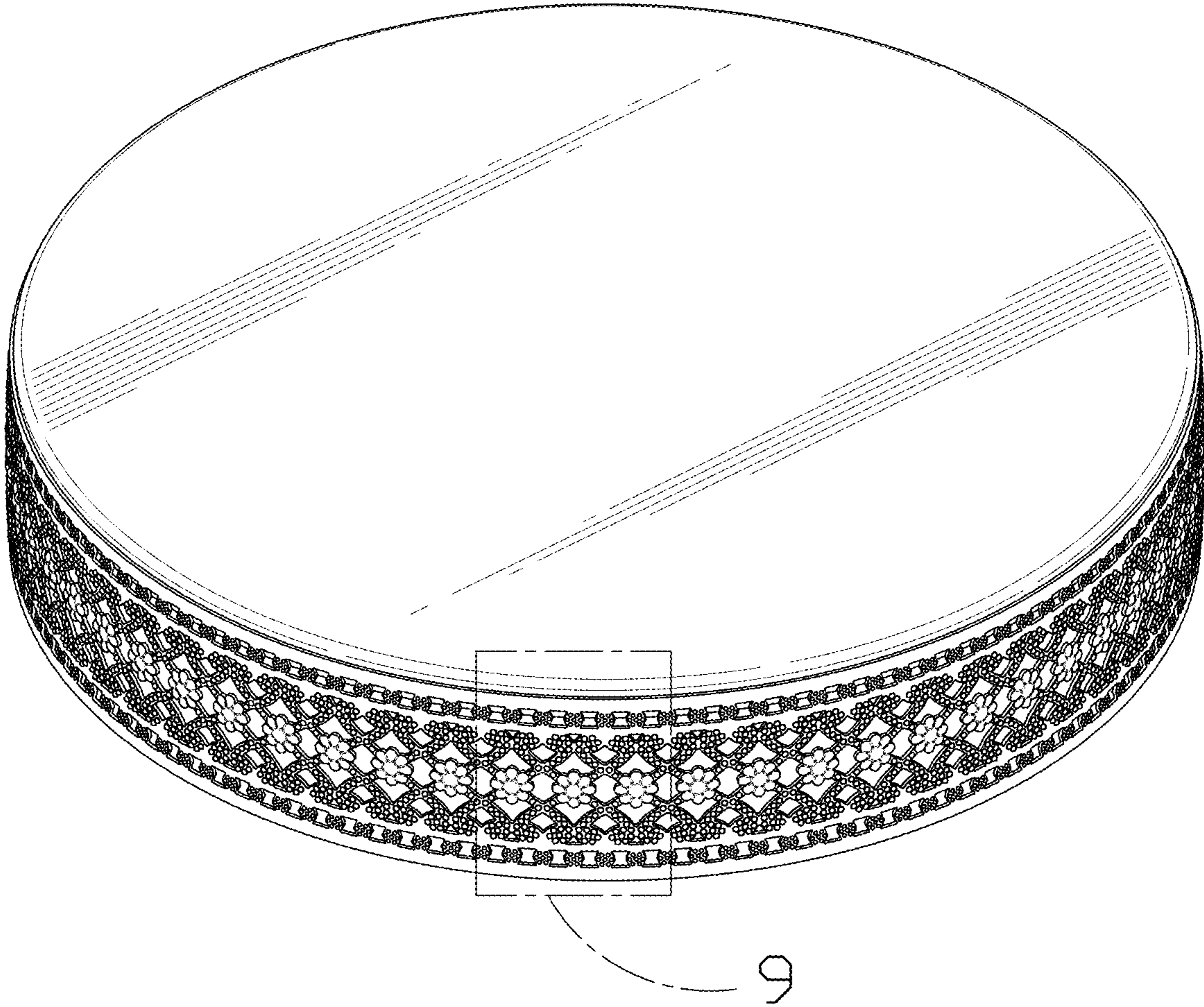


FIG. 1

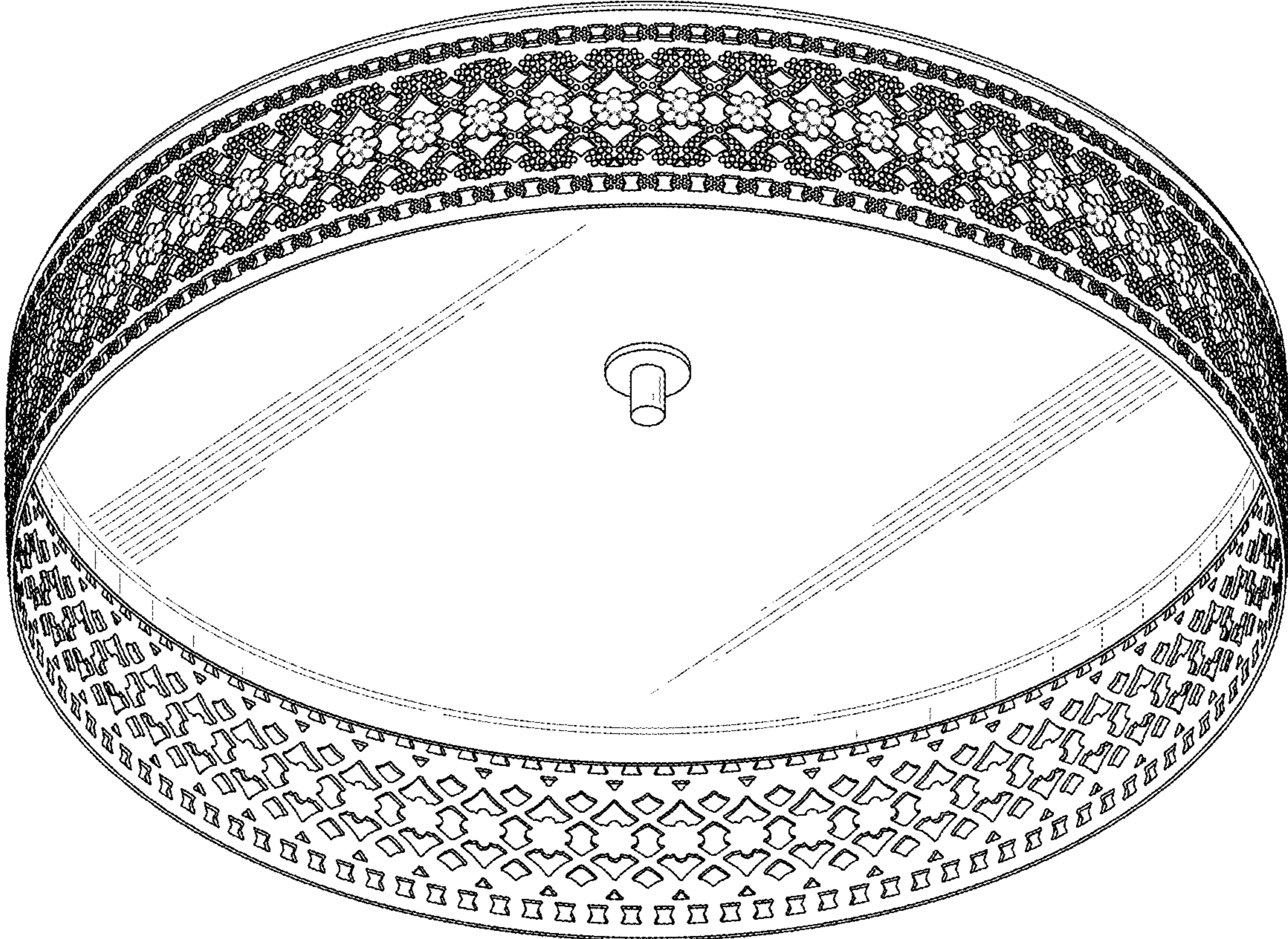


FIG. 2

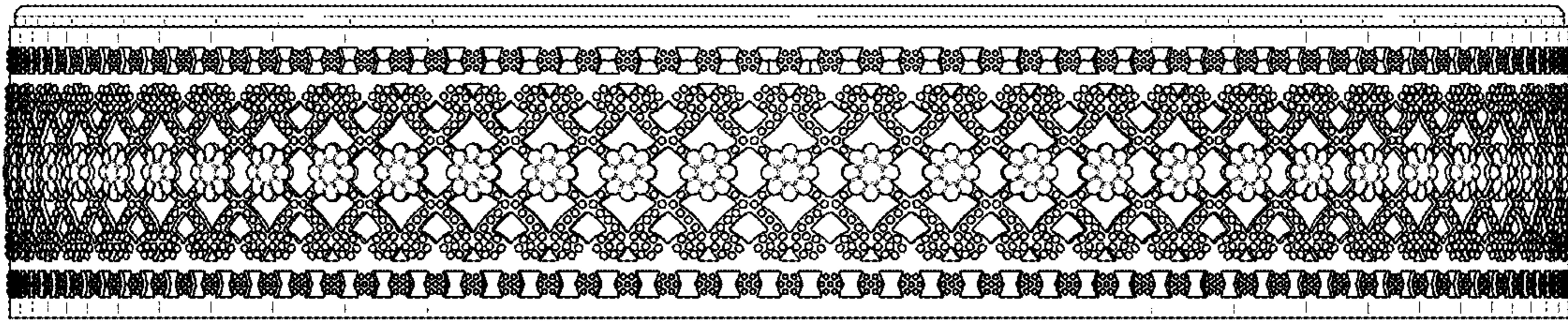


FIG. 3

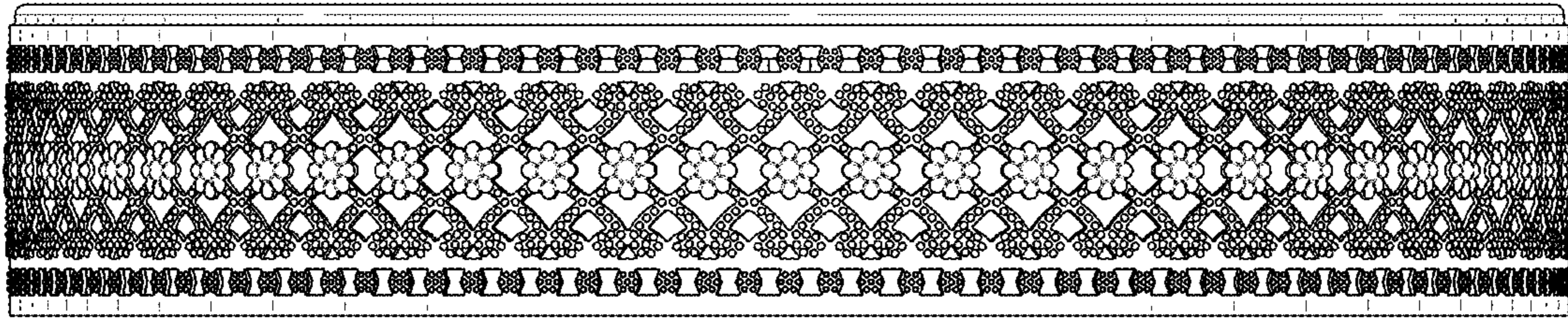


FIG. 4

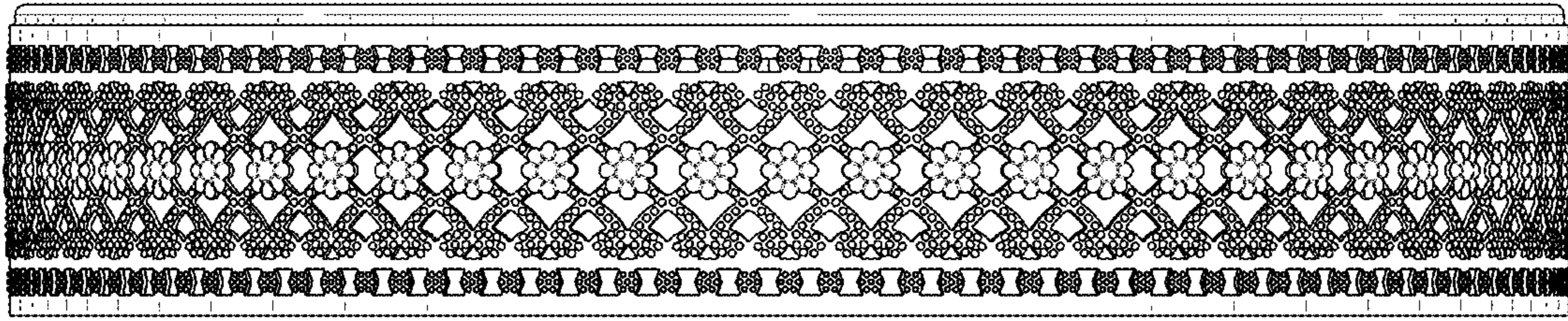


FIG. 5

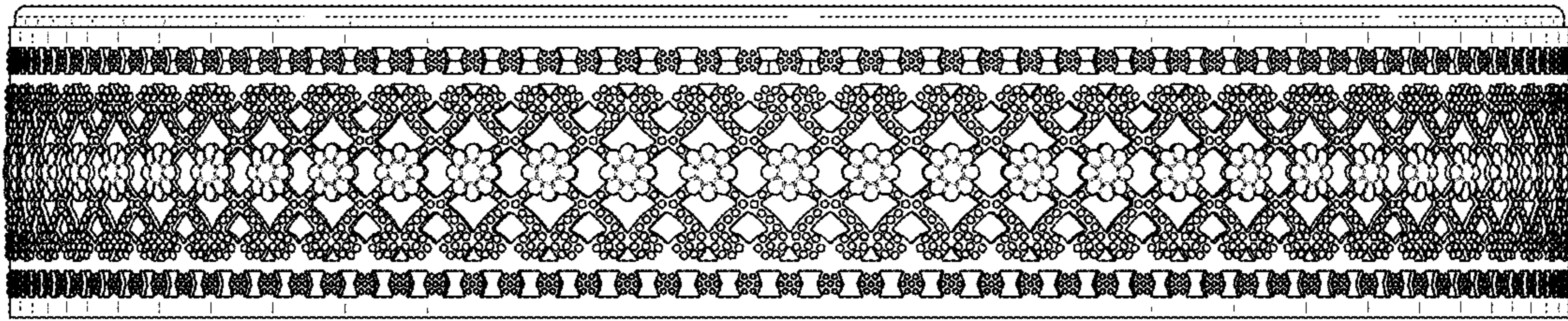


FIG. 6

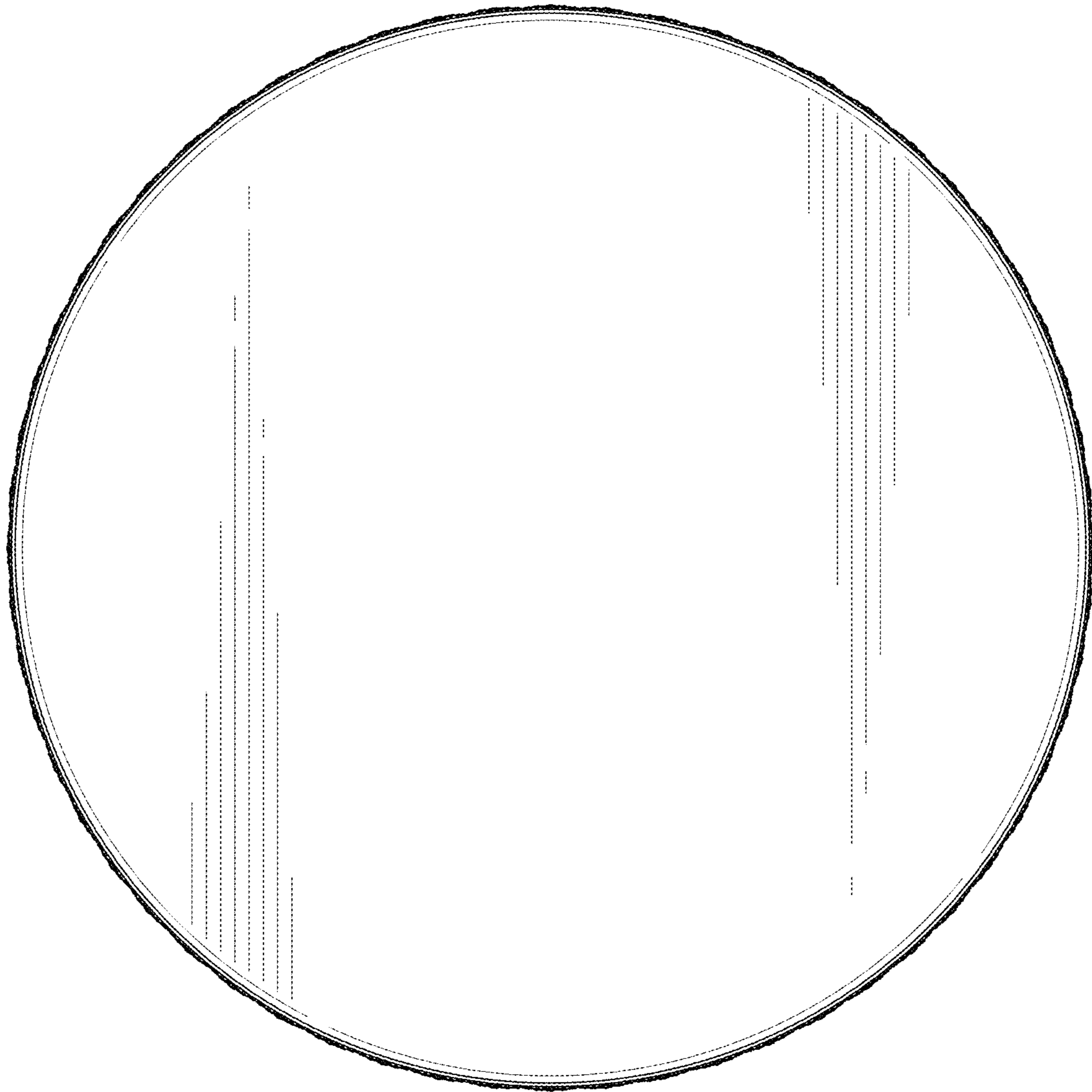


FIG. 7

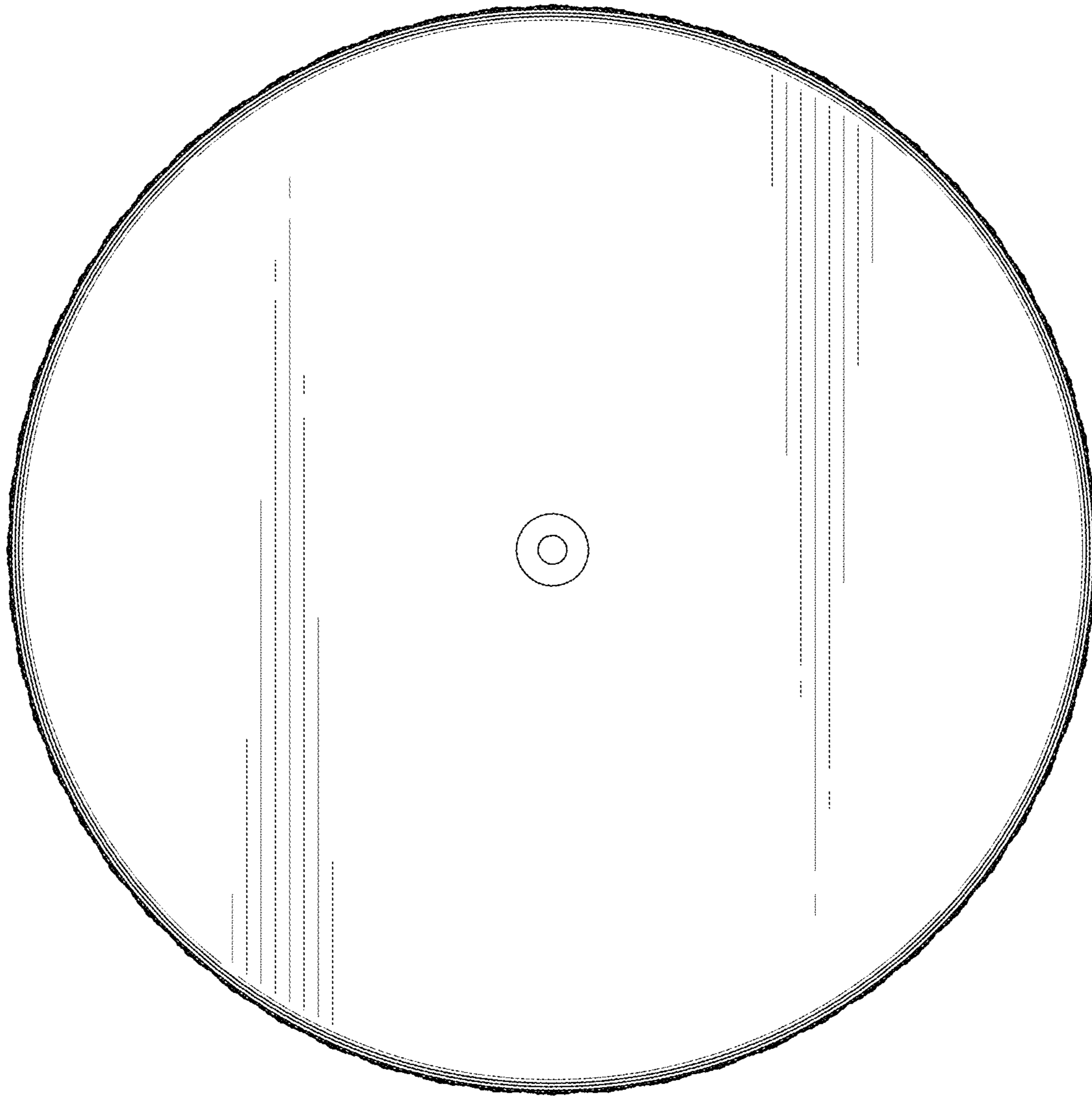


FIG. 8

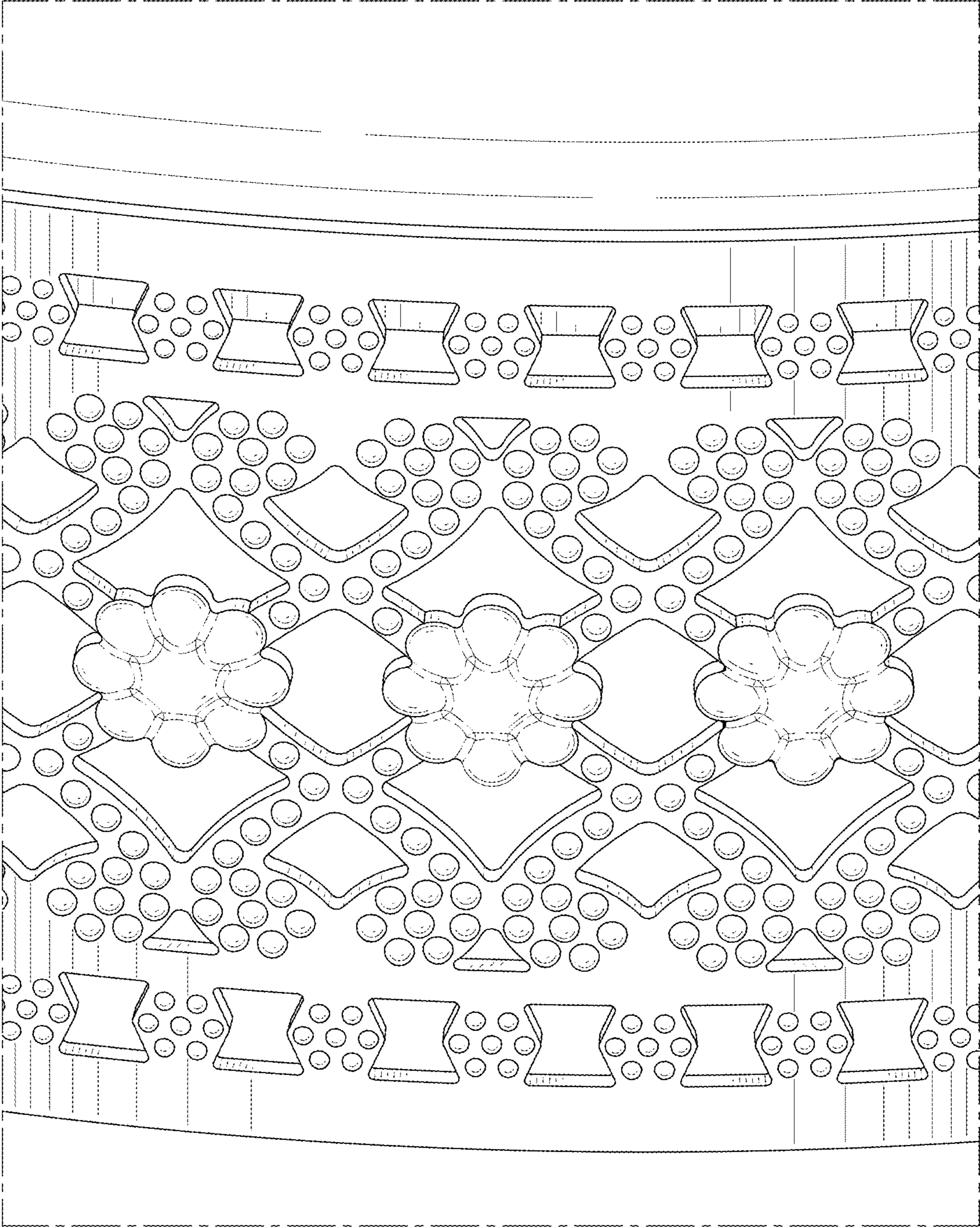


FIG. 9