



US00D915143S

(12) **United States Design Patent** (10) **Patent No.:** **US D915,143 S**
Wang (45) **Date of Patent:** **** Apr. 6, 2021**

(54) **BEVERAGE CONTAINER**

(71) Applicant: **Mu-I Wang**, New Taipei (TW)

(72) Inventor: **Mu-I Wang**, New Taipei (TW)

(**) Term: **15 Years**

(21) Appl. No.: **29/681,062**

(22) Filed: **Feb. 22, 2019**

(51) **LOC (13) Cl.** **07-01**

(52) **U.S. Cl.**
USPC **D7/510**

(58) **Field of Classification Search**

USPC D7/536, 591, 510, 300.1, 507, 511, 592,
D7/679, 300.2, 392.1, 392, 608, 448, 523,
D7/624.2, 532, 413, 376, 378, 384, 529,
D7/396.6, 552.1, 551.1, 553.8, 702, 533,
D7/553.2, 553.3, 624.1, 624.3, 553.5,
D7/701, 600.1, 602, 683, 409, 383;
D9/504, 683, 501, 502, 517, 541, 689,
D9/503, 500, 529, 526, 449, 445, 530,
D9/553, 443, 414, 415, 754, 527, 452,
D9/565, 552, 455, 454, 914, 575, 556,
D9/23.8, 23.83, 23.86, 574, 574.1, 515,
D9/456, 444, 688, 544, 560, 520, 571;
220/568, 708, 705, 710, 509, 592.14,
220/592.17, 710.5, 495.03; 215/6;
D10/46.2, 46.3

CPC A45C 11/34; A45C 11/00; B65D 41/04;
B65D 47/265; B65D 47/066; B65D
51/247; B65D 77/283; B65D 23/04;
B65D 51/24; B65D 1/34; B65D 1/02;
A47J 43/27; A45F 5/021; A45F 3/20;
A47G 19/065; A47G 19/22; A47G
19/2272; A47G 19/06; A47G 19/2227;
A47G 19/00; A47G 19/2205; A47G
23/0641; A61J 1/00; A61J 1/1412; G09B
27/08; A63F 9/1044; A47F 7/02

See application file for complete search history.

(56) **References Cited**

U.S. PATENT DOCUMENTS

D399,392 S * 10/1998 Husted D7/511
D430,777 S * 9/2000 Husted D7/511
D531,451 S * 11/2006 Bin D7/510
D668,913 S * 10/2012 Mayer D7/510
D715,100 S * 10/2014 Eyal D7/510
D751,338 S * 3/2016 Seiders D7/396.2

(Continued)

FOREIGN PATENT DOCUMENTS

CN 304454175 * 10/2016
EM 003110212-0006 * 5/2016

OTHER PUBLICATIONS

Luigi Bormioli, "Luigi Bormioli, us kitchen, LUIG9 Strauss 13.25 oz Long Glasses," Feb. 27, 2007, Amazon.com, www.amazon.com/dp/B0052LEXHI (Year: 2007).*

(Continued)

Primary Examiner — Shannon W Morgan

Assistant Examiner — Arva P Adams

(74) *Attorney, Agent, or Firm* — . Rosenberg, Klein & Lee

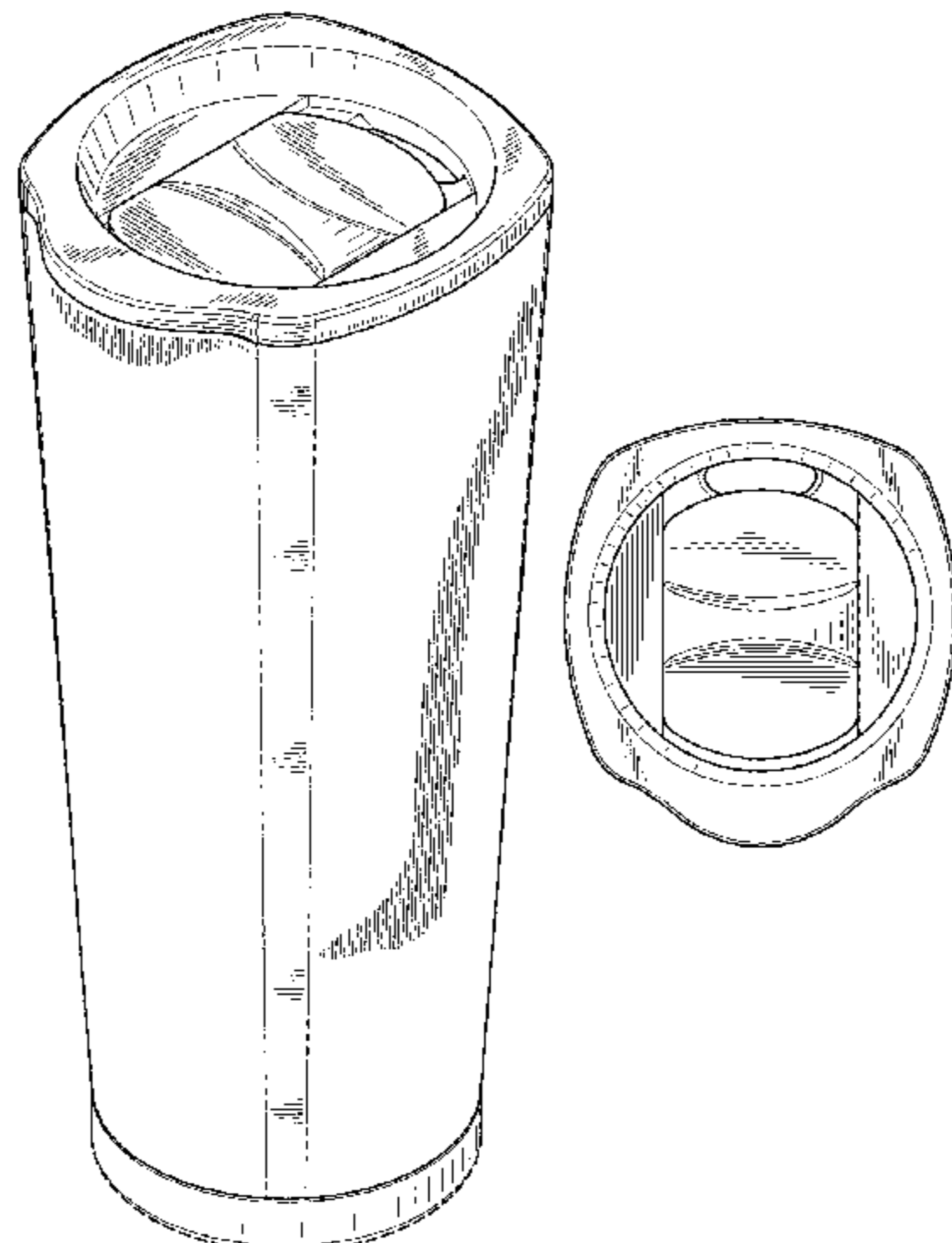
(57) **CLAIM**

The ornamental design for a beverage container, as shown and described.

DESCRIPTION

FIG. 1 is a front perspective view of a beverage container showing my new design;
FIG. 2 is a front elevational view thereof;
FIG. 3 is a rear elevational view thereof;
FIG. 4 is a left-side elevational view thereof, the right-side elevational view being a mirror image thereof;
FIG. 5 is a top plan view thereof; and,
FIG. 6 is a bottom plan view thereof.

(Continued)



The broken lines shown in the figures depict portions of the beverage container that form no part of the claimed design.

1 Claim, 4 Drawing Sheets

(56)

References Cited

U.S. PATENT DOCUMENTS

D751,339	S *	3/2016	Seiders	D7/396.2
D751,340	S *	3/2016	Seiders	D7/396.2
D751,341	S *	3/2016	Seiders	D7/396.2
D761,619	S *	7/2016	Seiders	D7/392.1
D792,155	S *	7/2017	Stover	D7/510
D798,111	S *	9/2017	Yao	D7/510
D804,905	S *	12/2017	Seiders	D7/510
D805,839	S *	12/2017	Karussi	B29C 45/1657 D7/392.1
D808,218	S *	1/2018	Seiders	D7/510
D808,722	S *	1/2018	Hill	D7/510
D811,817	S *	3/2018	Harrington, III	D7/510
D815,893	S *	4/2018	Seiders	D7/396.2
D816,399	S *	5/2018	Burns	B29C 45/1657 D7/392.1

D818,312	S *	5/2018	Burns	D7/396.2
D820,045	S *	6/2018	Harrington, III	D7/511
D822,428	S *	7/2018	Thuma	D7/392.1
D824,212	S *	7/2018	Seiders	B29C 45/0013 D7/396.2
10,124,942	B2 *	11/2018	Seiders	B29C 45/0013
D839,052	S *	1/2019	Herling	D7/511
2017/0121073	A1 *	5/2017	Seiders	B29C 45/1657

OTHER PUBLICATIONS

Corkcicle, "Corkcicle 16oz Tumbler—Classic Collection," Jun. 1, 2016, Amazon.com, www.amazon.com/dp/B01GG0CT2E (Year: 2016).*

Swig Life, "Swig Life Tripple Insulated Stainless Steel Skinny Tumbler with Lid," Jun. 12, 2018, Amazon.com, www.amazon.com/dp/B07DP8ZP7N (Year: 2018).*

MACHUMA, "MACHUMA 14OZ Ceramic Square Mug with Lid and Spoon," May 20, 2019, Amazon.com, www.amazon.com/dp/B07S1S76HG (Year: 2019).*

Brümate, "Brümate Imperial Pint 20oz Shatterproof Double Wall Vacuum Insulated Stainless Steel Travel & Camping Mug," Jan. 31, 2019, Amazon.com, www.amazon.com/dp/B07NBFDG2H (Year: 2019).*

* cited by examiner

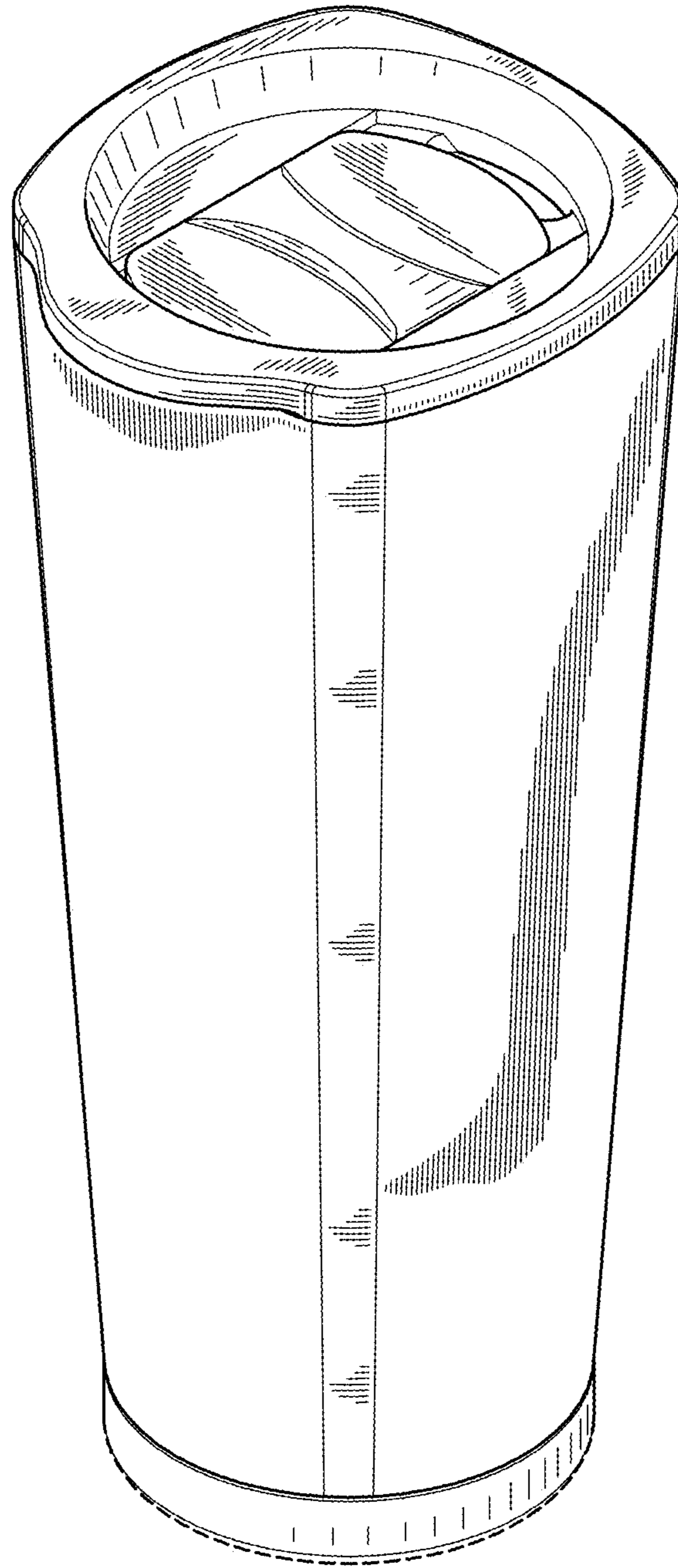


FIG.1

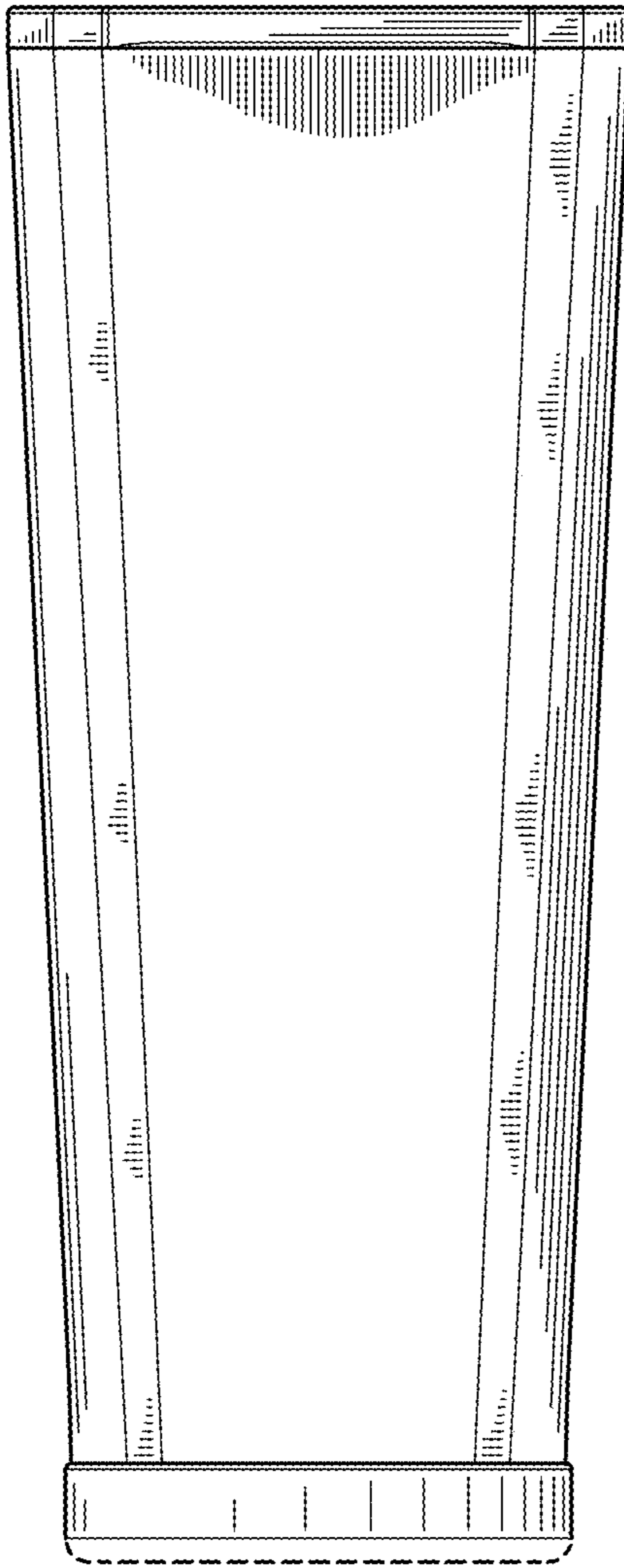


FIG. 2

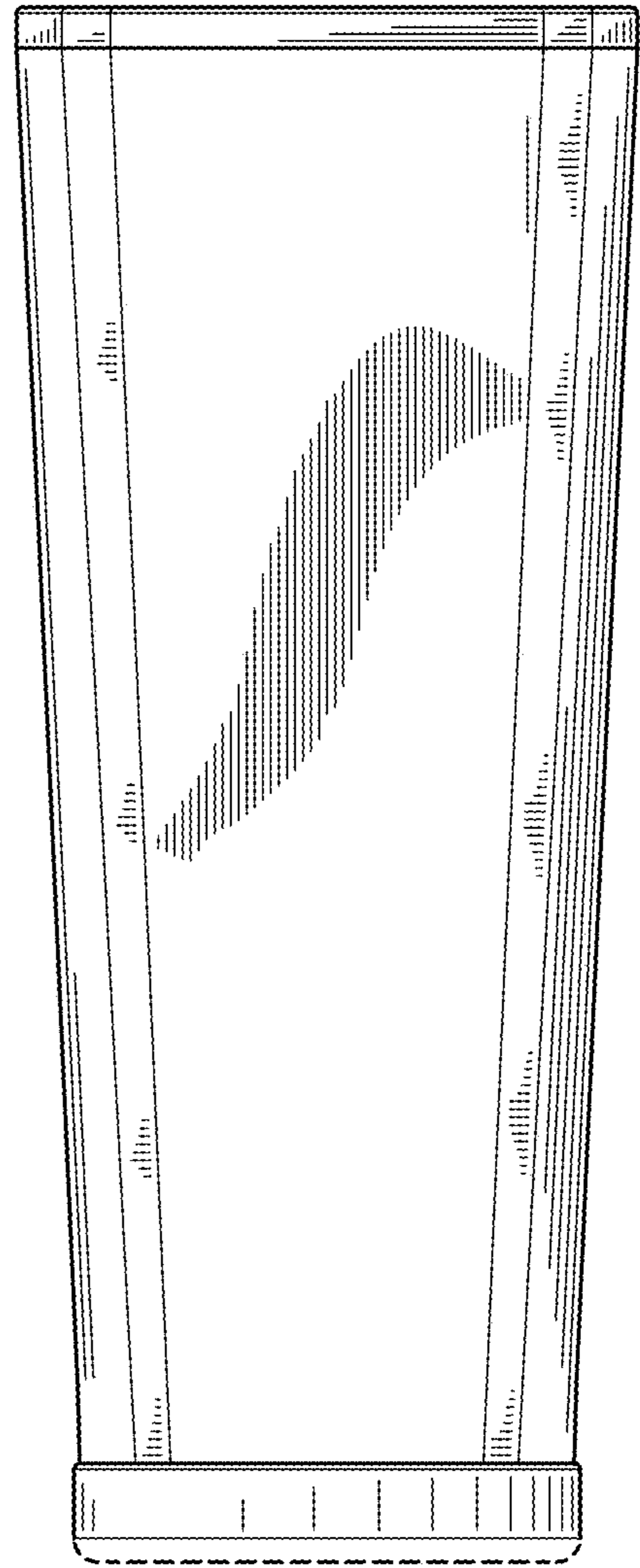


FIG. 3

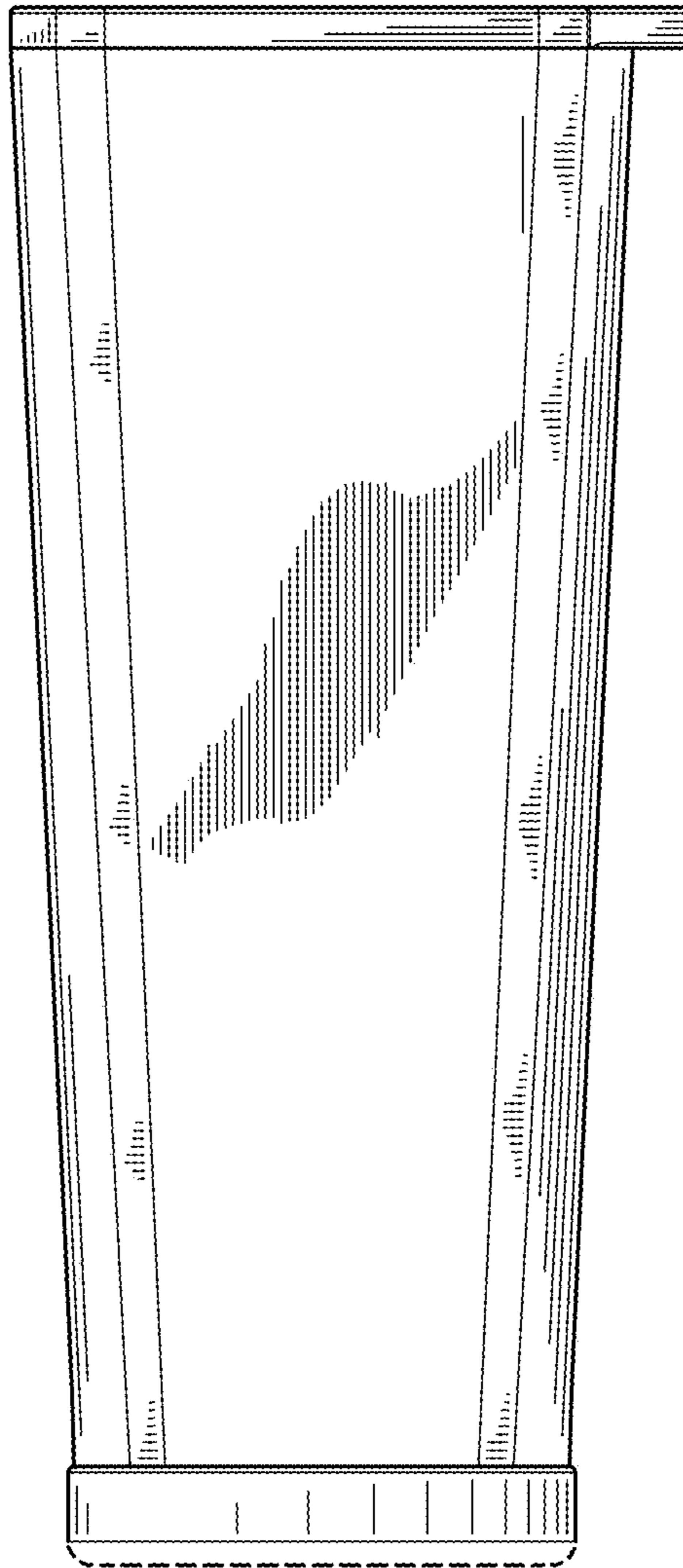


FIG.4

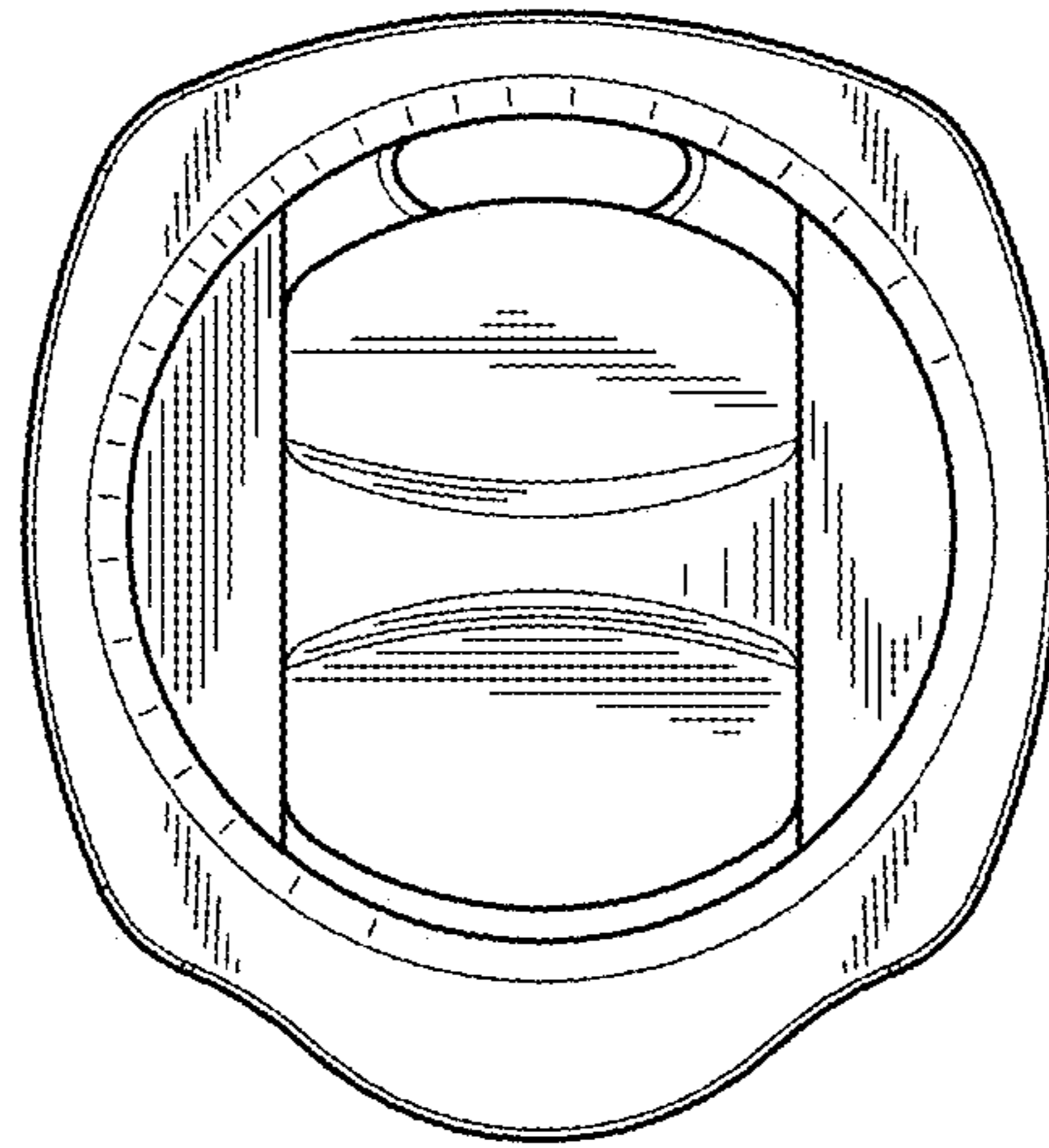


FIG.5

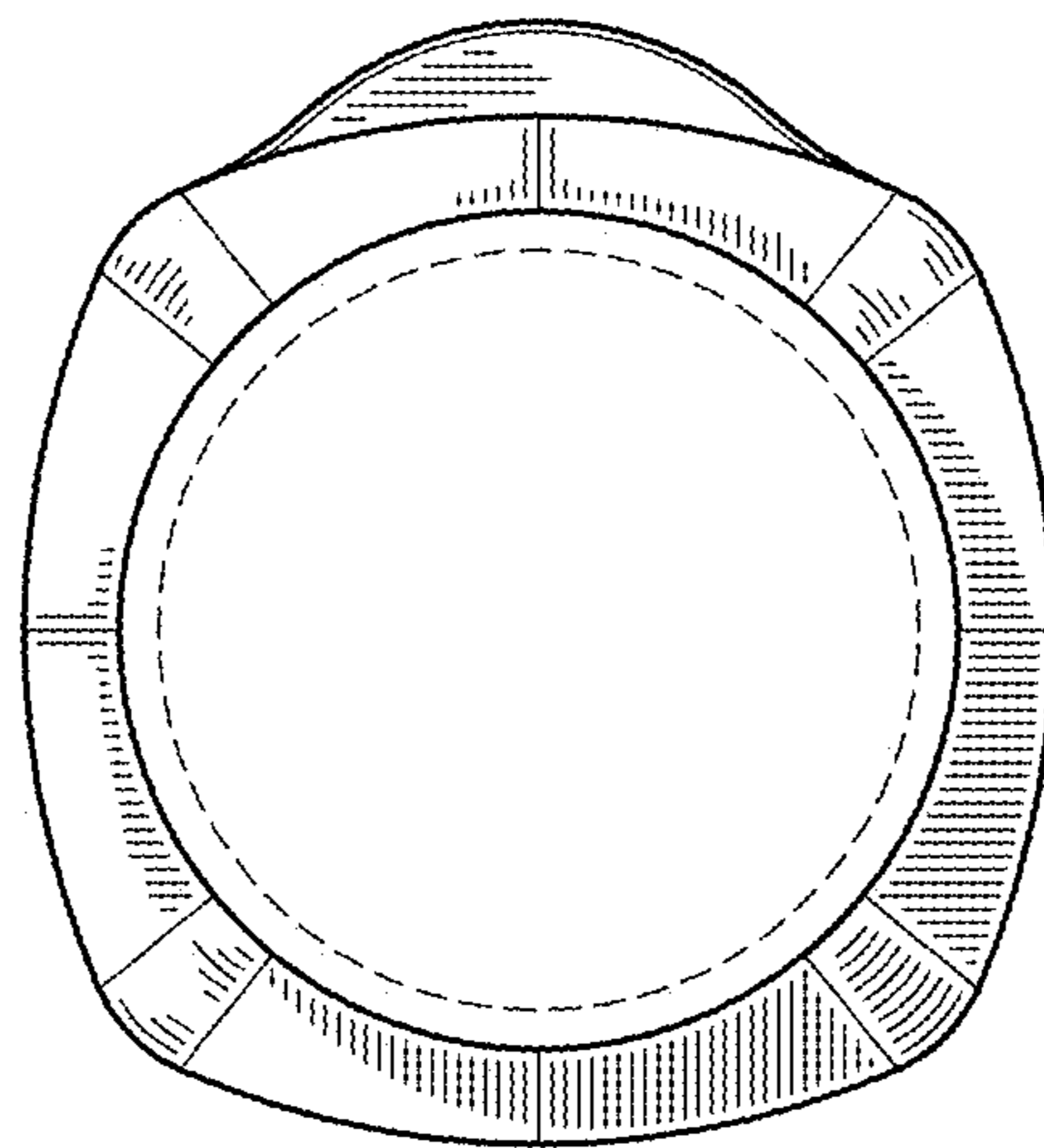


FIG.6