



US00D915142S

(12) **United States Design Patent** (10) **Patent No.:** **US D915,142 S**
Young et al. (45) **Date of Patent:** **** Apr. 6, 2021**

(54) **FOOD SUPPORT FOR COOKING DEVICE**
(71) Applicant: **SHARKNINJA OPERATING LLC**,
Needham, MA (US)
(72) Inventors: **Allen Young**, Needham, MA (US);
Carl Wrigglesworth, London (GB)
(73) Assignee: **SHARKNINJA OPERATING LLC**,
Needham, MA (US)
(**) Term: **15 Years**
(21) Appl. No.: **29/694,053**
(22) Filed: **Jun. 6, 2019**
(51) **LOC (13) Cl.** **07-02**
(52) **U.S. Cl.**
USPC **D7/409**
(58) **Field of Classification Search**
USPC D7/323, 332, 335-337, 354-355,
D7/359-364, 387-388, 402, 407-409,
D7/672, 673, 677; D23/365
CPC A21B 2/00; A21B 3/00; A21B 3/13; A21B
3/15; A21B 5/00; A21B 5/02; A23N
12/06; A23N 12/08; A23N 12/10; A47J
25/00; A47J 37/00; A47J 37/04; A47J
37/041; A47J 37/042; A47J 37/06; A47J
37/0688; A47J 37/0694; A47J 37/07;
A47J 37/0704; A47J 37/10; A47J 47/20;
A47J 2037/00; A47J 2037/06; A47J
2037/0611; A47J 2037/07; A47J
2037/0786; A47J 2037/0795; B26D 3/26;
B26D 3/245; F24C 15/10; F24C 15/12;
F24C 15/14; F24C 15/16; F24C 15/18;
F24C 15/164
See application file for complete search history.

(56) **References Cited**
U.S. PATENT DOCUMENTS
1,466,114 A * 8/1923 Buchi B26D 3/26
30/302
D432,874 S * 10/2000 Kari D7/673

D555,777 S * 11/2007 Avelsdson D23/365
D592,445 S * 5/2009 Sorenson D7/359
D648,989 S * 11/2011 Coursey D7/673
D710,647 S * 8/2014 Mandil D7/354
D716,109 S * 10/2014 De Luca D7/672
D776,496 S * 1/2017 Mirchandani D7/672
9,630,334 B2 * 4/2017 Garcia B26D 3/245
D814,250 S * 4/2018 Lonergan D7/677
2009/0241344 A1 * 10/2009 Mastroianni A47J 25/00
30/114
2012/0102760 A1 * 5/2012 Hauser B26D 3/26
30/302
2012/0131800 A1 * 5/2012 Hauser B26D 3/26
30/124

* cited by examiner
Primary Examiner — Ricky Pham
(74) *Attorney, Agent, or Firm* — Cantor Colburn LLP

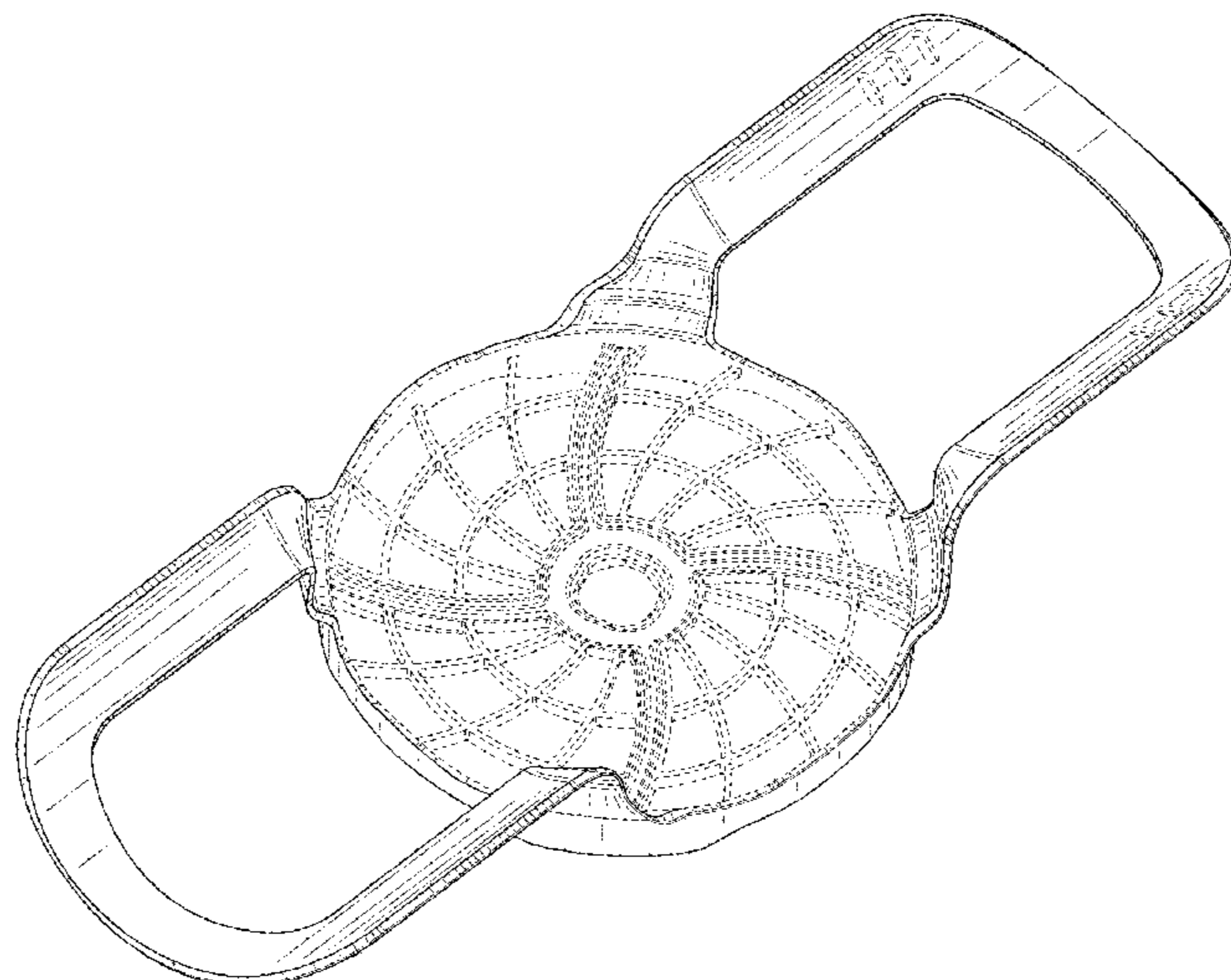
(57) **CLAIM**

The ornamental design for a food support for cooking device, as shown and described.

DESCRIPTION

FIG. 1 is a perspective view of a food support for cooking device, showing our new design;
FIG. 2 is a top view of the embodiment shown in FIG. 1;
FIG. 3 is a bottom view of the embodiment shown in FIG. 1;
FIG. 4 is a side view of the embodiment shown in FIG. 1;
FIG. 5 is another side view of the embodiment shown in FIG. 1;
FIG. 6 is a front view of the embodiment shown in FIG. 1; and,
FIG. 7 is a rear view of the embodiment shown in FIG. 1.
The broken lines in the figures are for environmental purposes only and form no part of the claimed design.

1 Claim, 5 Drawing Sheets



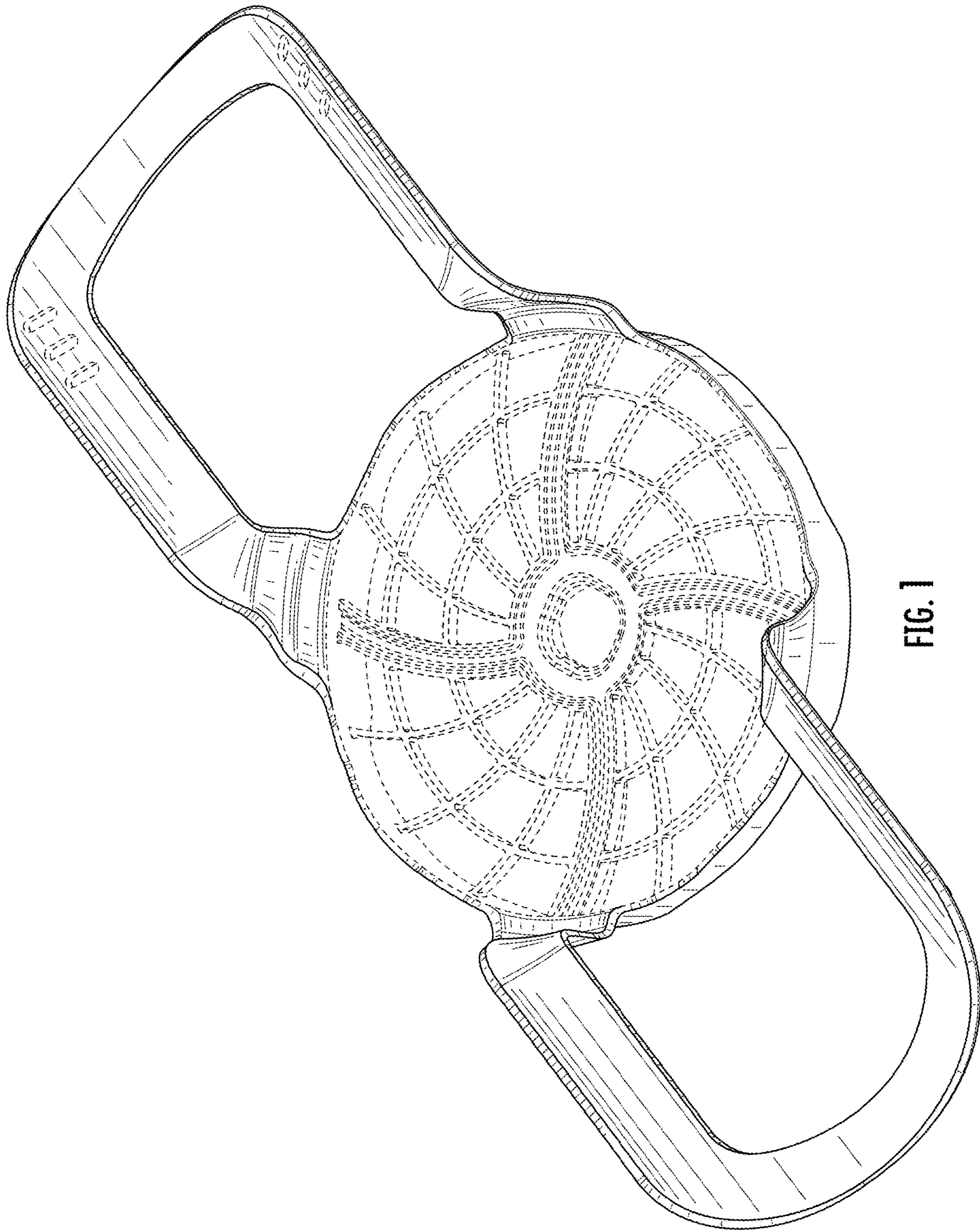


FIG. 1

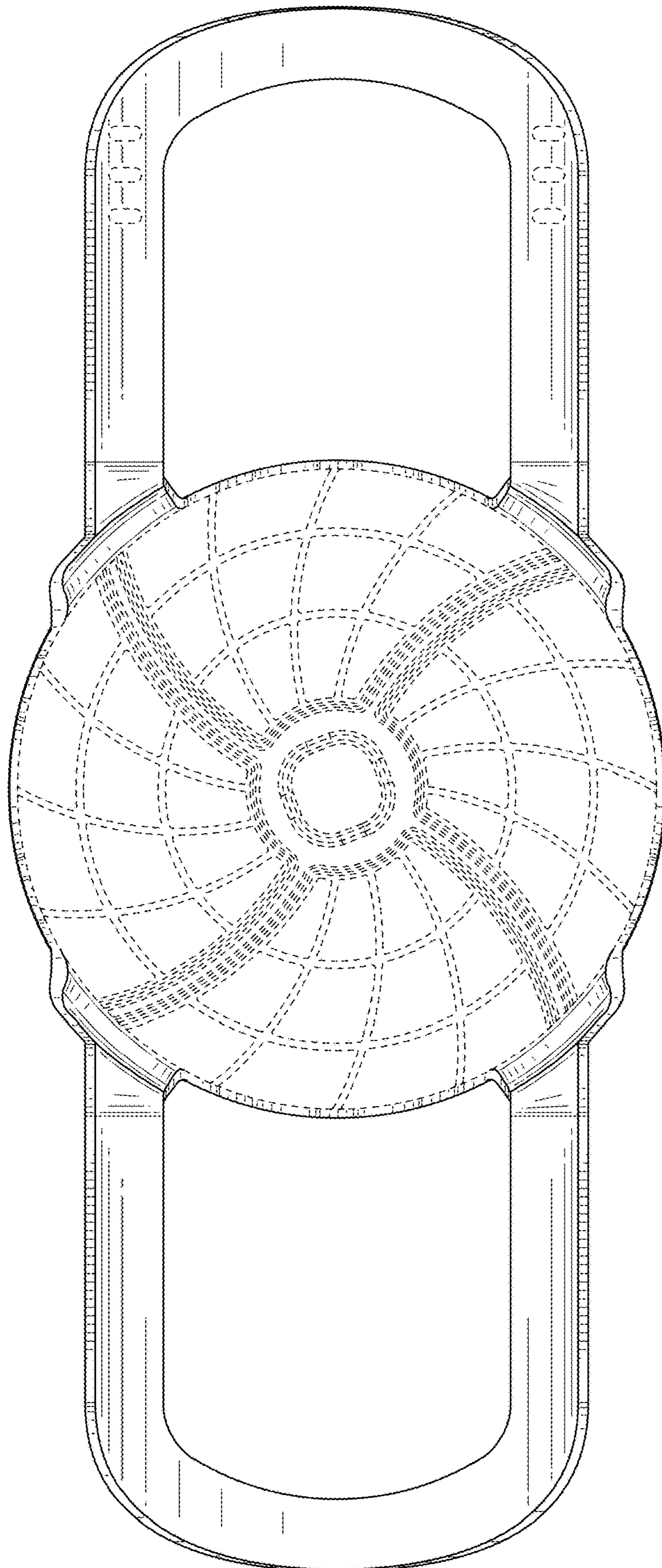


FIG. 2

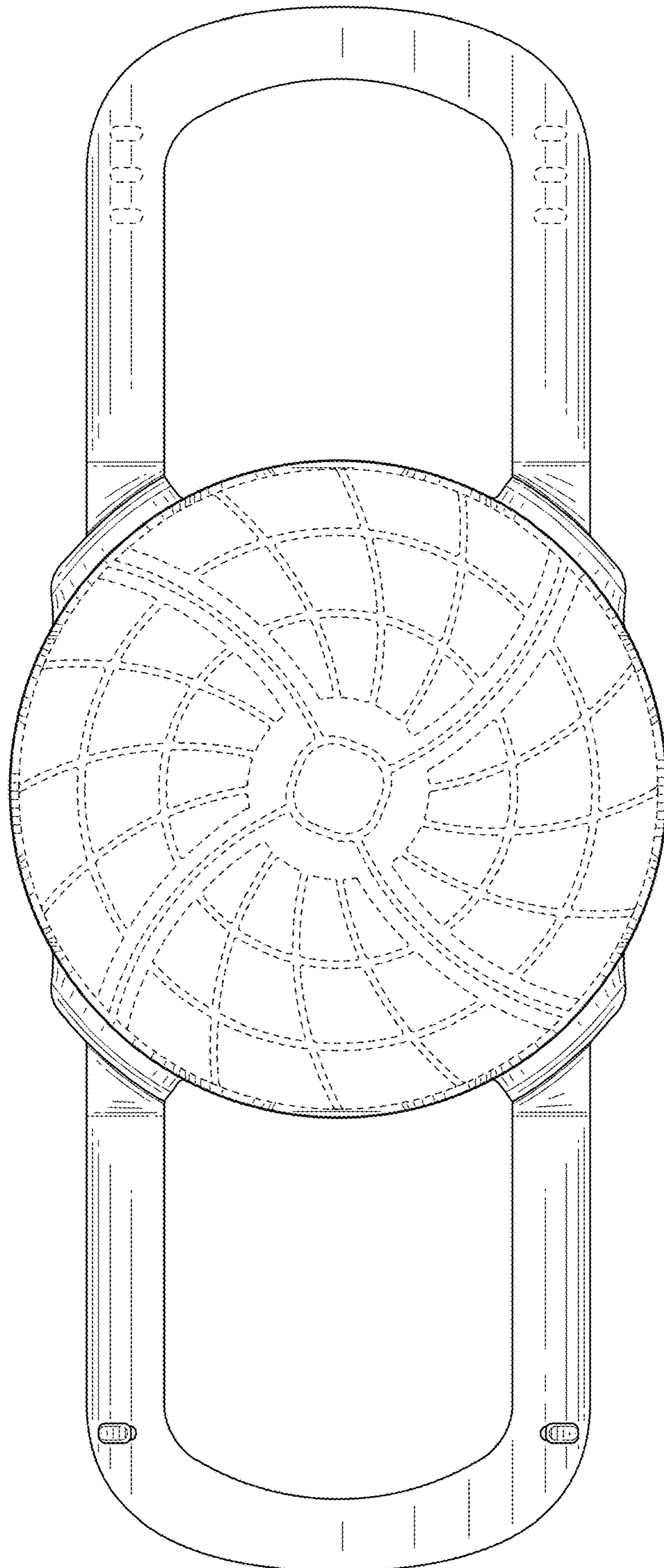


FIG. 3

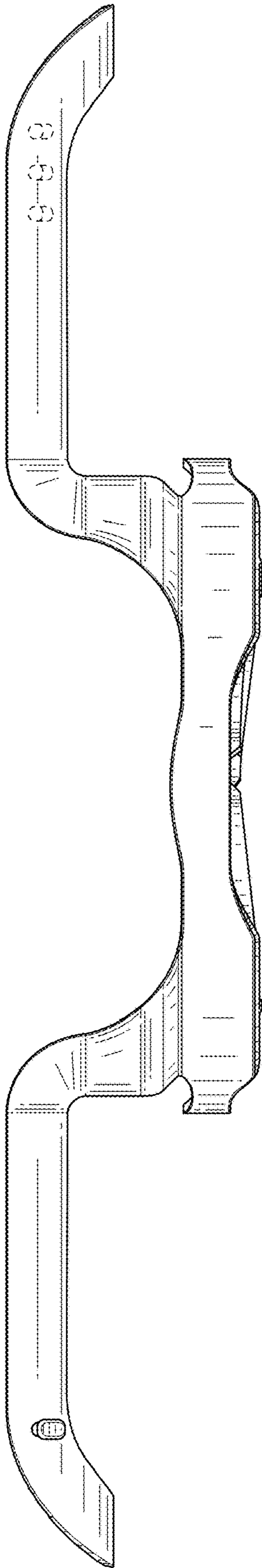


FIG. 4

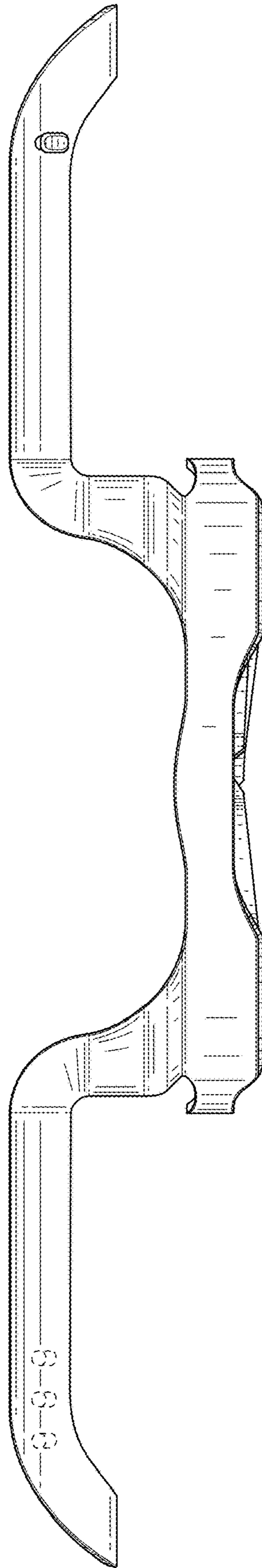


FIG. 5

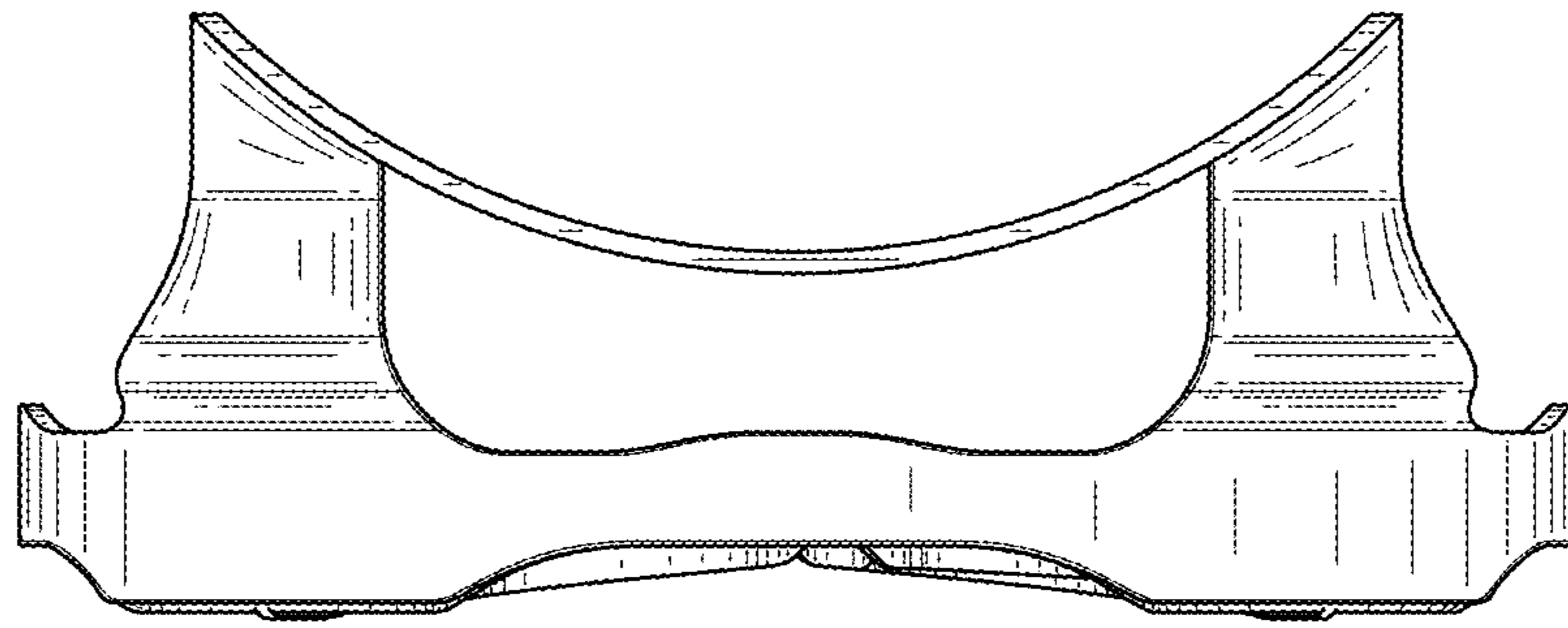


FIG. 6

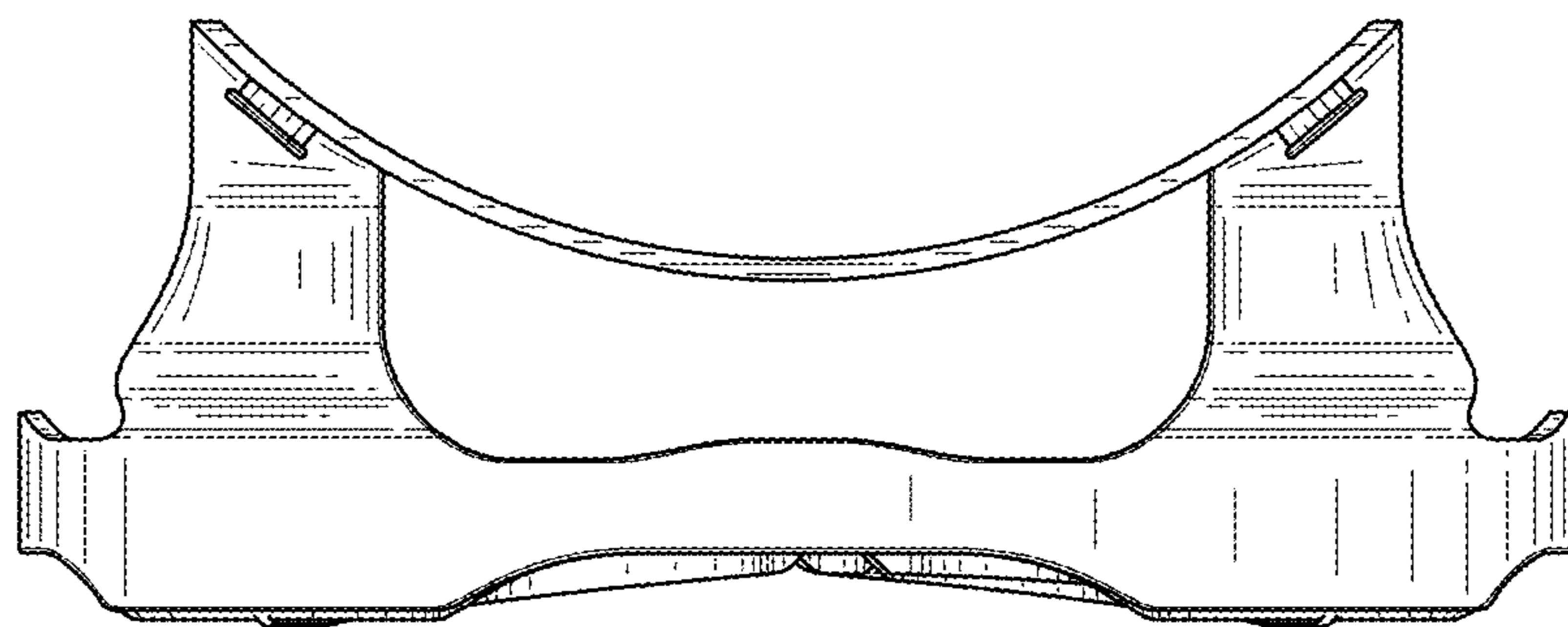


FIG. 7