



US00D915141S

(12) **United States Design Patent** (10) **Patent No.:** **US D915,141 S**  
**Schilt et al.** (45) **Date of Patent:** **\*\* Apr. 6, 2021**

(54) **CONTROLLER FOR COOKING APPARATUS**

FOREIGN PATENT DOCUMENTS

(71) Applicant: **Weber-Stephen Products LLC**,  
Palatine, IL (US)

CN 209186432 \* 8/2019 ..... A47J 37/07

(72) Inventors: **Angela Schilt**, Mundelein, IL (US);  
**Kevin Glennon**, Hoffman Estates, IL  
(US); **Jonas Lagerstedt**, Brooklyn, NY  
(US); **Nikhil Bhogal**, San Francisco,  
CA (US); **Dustin Mierau**, Portland, OR  
(US)

OTHER PUBLICATIONS

Design No. 305411991, Nov. 1, 2019—China National Intellectual  
Property Administration (CNIPA) Publication Date—Nov. 1, 2019  
Owner—Logan Outdoor Goods Co Ltd, Designer—Brett Bennett  
et. al. WIPO, available at <https://www3.wipo.int/designdb/en/index.jsp>  
(Year: 2019).\*

(73) Assignee: **WEBER-STEPHEN PRODUCTS  
LLC**, Palatine, IL (US)

(Continued)

(\*\*) Term: **15 Years**

*Primary Examiner* — Mary Ann Calabrese  
*Assistant Examiner* — Natalya M Rapundalo  
(74) *Attorney, Agent, or Firm* — Hanley, Flight &  
Zimmerman, LLC

(21) Appl. No.: **29/694,208**

(22) Filed: **Jun. 7, 2019**

(51) **LOC (13) Cl.** ..... **07-02**

(57) **CLAIM**

(52) **U.S. Cl.**  
USPC ..... **D7/406**

The ornamental design for a “controller for cooking apparatus”, as shown and described.

(58) **Field of Classification Search**  
USPC ..... D7/323, 332, 334, 337, 338, 339, 362,  
D7/387, 402, 406, 409; D6/601  
CPC .. A47J 36/00; A47J 37/00; A47J 37/04; A47J  
37/06; A47J 37/0664; A47J 37/07; A47J  
37/0704; A47J 37/0713; A47J 37/0709;  
A47J 37/0718; A47J 37/0727; A47J  
37/0731; A47J 37/0736; A47J 37/0768;  
A47J 37/0786; A47J 2037/0617; A47J  
2037/0795; F24B 13/00; F24B 13/02;  
F24B 13/04

**DESCRIPTION**

See application file for complete search history.

FIG. 1 is a front right perspective view of a controller for  
cooking apparatus. The example cooking apparatus of FIG.  
1 is shown coupled to a panel of a cooking apparatus.  
FIG. 2 is a front left perspective view of the controller of  
FIG. 1.  
FIG. 3 is a rear perspective view of the controller of FIG. 1.  
FIG. 4 is a front view of the controller of FIG. 1.  
FIG. 5 is a rear view of the controller of FIG. 1.  
FIG. 6 is a right side view of the controller of FIG. 1.  
FIG. 7 is a left side view of the controller of FIG. 1.  
FIG. 8 is a top view of the controller of FIG. 1; and,  
FIG. 9 is a bottom view of the controller of FIG. 1.  
The features shown in broken lines form no part of the  
claimed design.

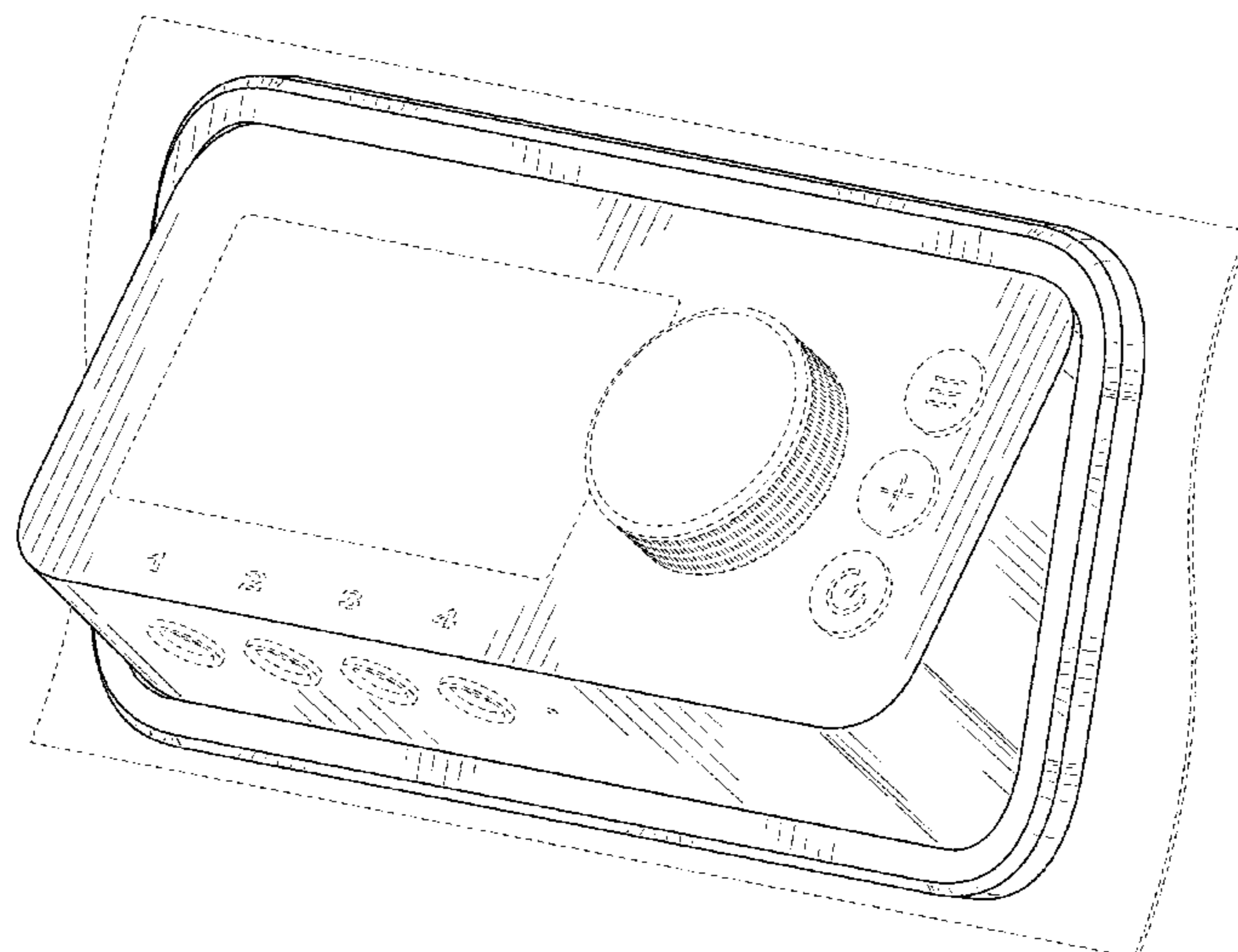
(56) **References Cited**

U.S. PATENT DOCUMENTS

6,223,737 B1 5/2001 Buckner  
D582,862 S \* 12/2008 Landerholm ..... D13/162  
7,900,553 B1 3/2011 Maurin  
8,833,360 B2 9/2014 Knight

(Continued)

**1 Claim, 9 Drawing Sheets**



(56)

References Cited

U.S. PATENT DOCUMENTS

D731,132 S \* 6/2015 Ha ..... H04L 67/125  
D32/28

D733,483 S 7/2015 Baker et al.  
9,186,020 B1 11/2015 Phillips  
D760,539 S 7/2016 Colston  
9,585,518 B1 3/2017 Phillips  
9,635,978 B2 5/2017 Measom et al.  
9,913,559 B2 3/2018 Polter et al.  
10,105,007 B2 10/2018 Colston et al.  
10,213,051 B2 2/2019 Colston et al.  
10,330,322 B2 6/2019 Measom et al.  
D878,936 S \* 3/2020 Yu ..... F24C 3/008  
D10/57  
D6/601

D880,901 S \* 4/2020 Raad ..... D6/601

2013/0174834 A1 7/2013 Measom et al.  
2013/0298894 A1 11/2013 Kleinsasser  
2017/0065124 A1 3/2017 Colston  
2017/0164783 A1 6/2017 Sauerwein et al.  
2018/0168395 A1 6/2018 Colston  
2018/0168397 A1 6/2018 Colston  
2019/0110641 A1 \* 4/2019 Lee ..... F24C 3/008  
2019/0150663 A1 5/2019 Colston et al.  
2019/0254473 A1 \* 8/2019 Anthony ..... A47J 37/067  
2020/0040926 A1 \* 2/2020 Colston ..... F16B 12/52  
2020/0240643 A1 \* 7/2020 Donnelly ..... H04L 67/125  
2020/0281402 A1 \* 9/2020 Witzel ..... F23B 40/02

OTHER PUBLICATIONS

Weber SmokeFire Pellet Grill Review, first available Nov. 27, 2019, YouTube, [online], [site visited Dec. 17, 2020], Available from internet URL: <https://www.youtube.com/watch?v=iRSdgBebvLY&feature=youtu.be> (Year: 2019).\*

Design No. 007143748-0001-0004, Oct. 30, 2019—European Union Intellectual Property Office (EUIPO) Publication Date—Jan. 30, 2020 Owner—Weber-Stephen Products LLC, Designer—Angela Schilt et. al. DesignView, available at [www.tmdn.org/tmdsview-web/welcome](http://www.tmdn.org/tmdsview-web/welcome) (Year: 2020).\*

Design No. 305771754, May 12, 2020—China National Intellectual Property Administration (CNIPA) Publication Date—May 12, 2020 Owner—Weber-Stephen Products Co, Designer—Hirth Andreas et. al. WIPO, available at <https://www3.wipo.int/designdb/en/index.jsp> (Year: 2020).\*

Design No. 305816794, Jun. 2, 2020—China National Intellectual Property Administration (CNIPA) Publication Date—Jun. 2, 2020 Owner—Weber-Stephen Products Co, Designer—D. Bennian et. al. WIPO, available at <https://www3.wipo.int/designdb/en/index.jsp> (Year: 2020).\*

Broil King Pellet 500 Pro, Lowes, [online], [site visited Dec. 21, 2020], Available from internet URL: <https://www.lowes.com/pd/Broil-King-Pellet-500-Pro-630-sq-in-Black-Pellet-Grill/1000894100> (Year: 2020).\*

SmokeFire EX4 (2nd Gen) Wood Fired Pellet Grill, [online], [site visited Dec. 17, 2020], Available from internet URL: <https://www.weber.com/US/en/grills/wood-pellet-grills/smokefire-series/22510201.html> (Year: 2020).\*

SmokeFire EX6 (2nd Gen) Wood Fired Pellet Grill, [online], [site visited Dec. 17, 2020], Available from internet URL: <https://www.weber.com/US/en/grills/wood-pellet-grills/smokefire-series/23510201.html> (Year: 2020).\*

China National Intellectual Property Administration, “Notice of Decision of Grant of Patent Right for Design,” issued in connection with Chinese Patent Application No. 201930653634.0, dated Mar. 24, 2020, 4 pages.

\* cited by examiner

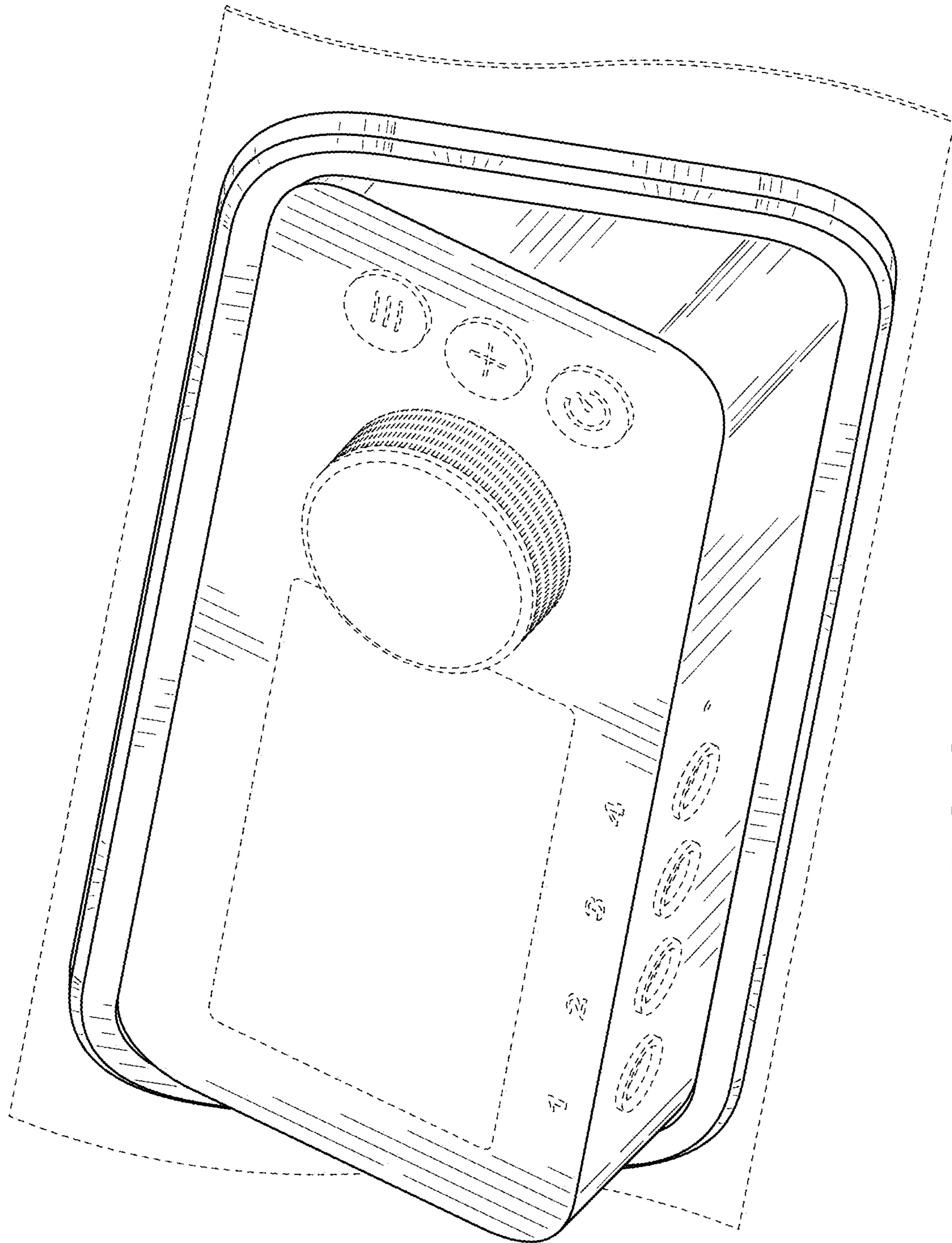
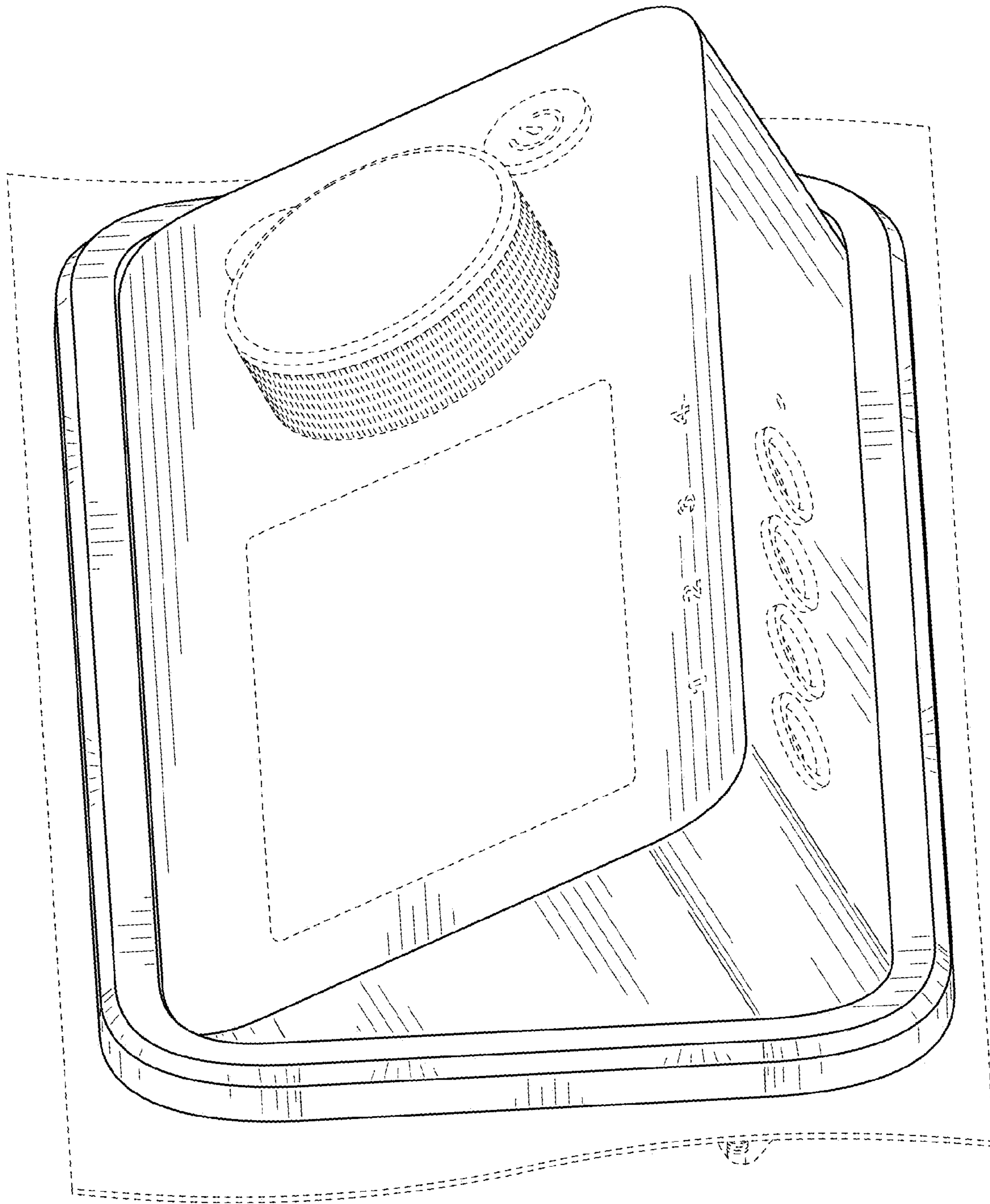
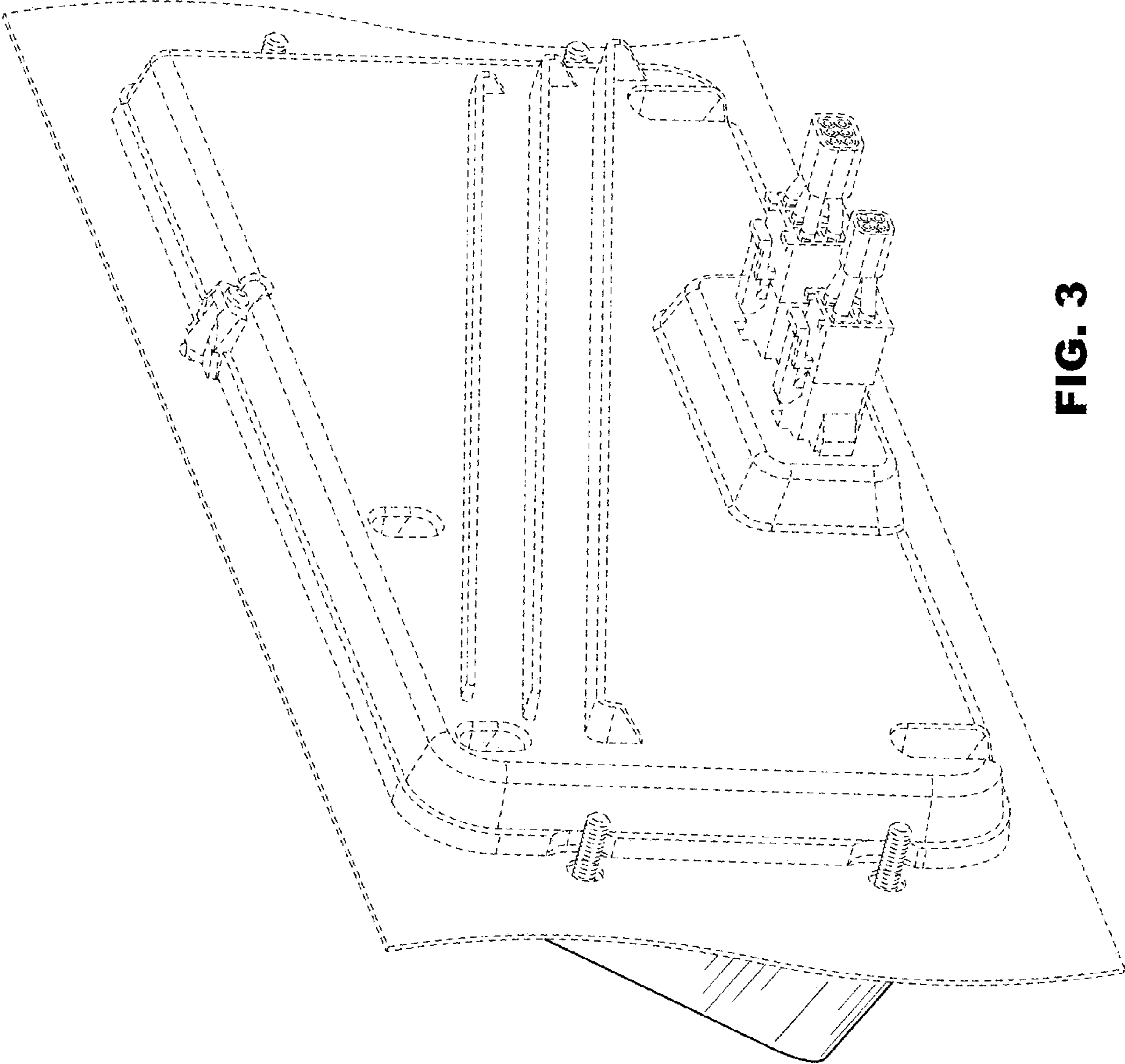


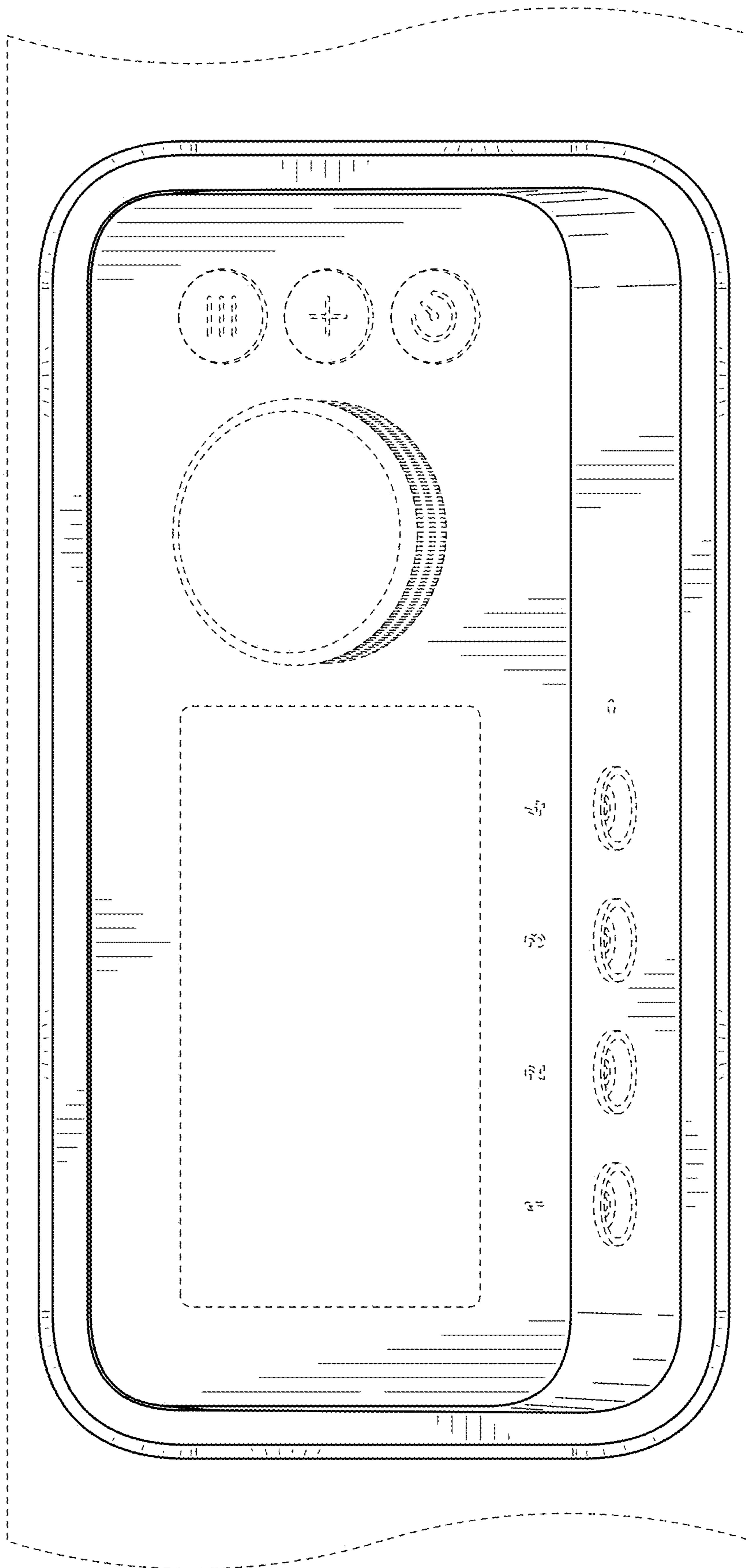
FIG. 1



**FIG. 2**



**FIG. 3**



**FIG. 4**

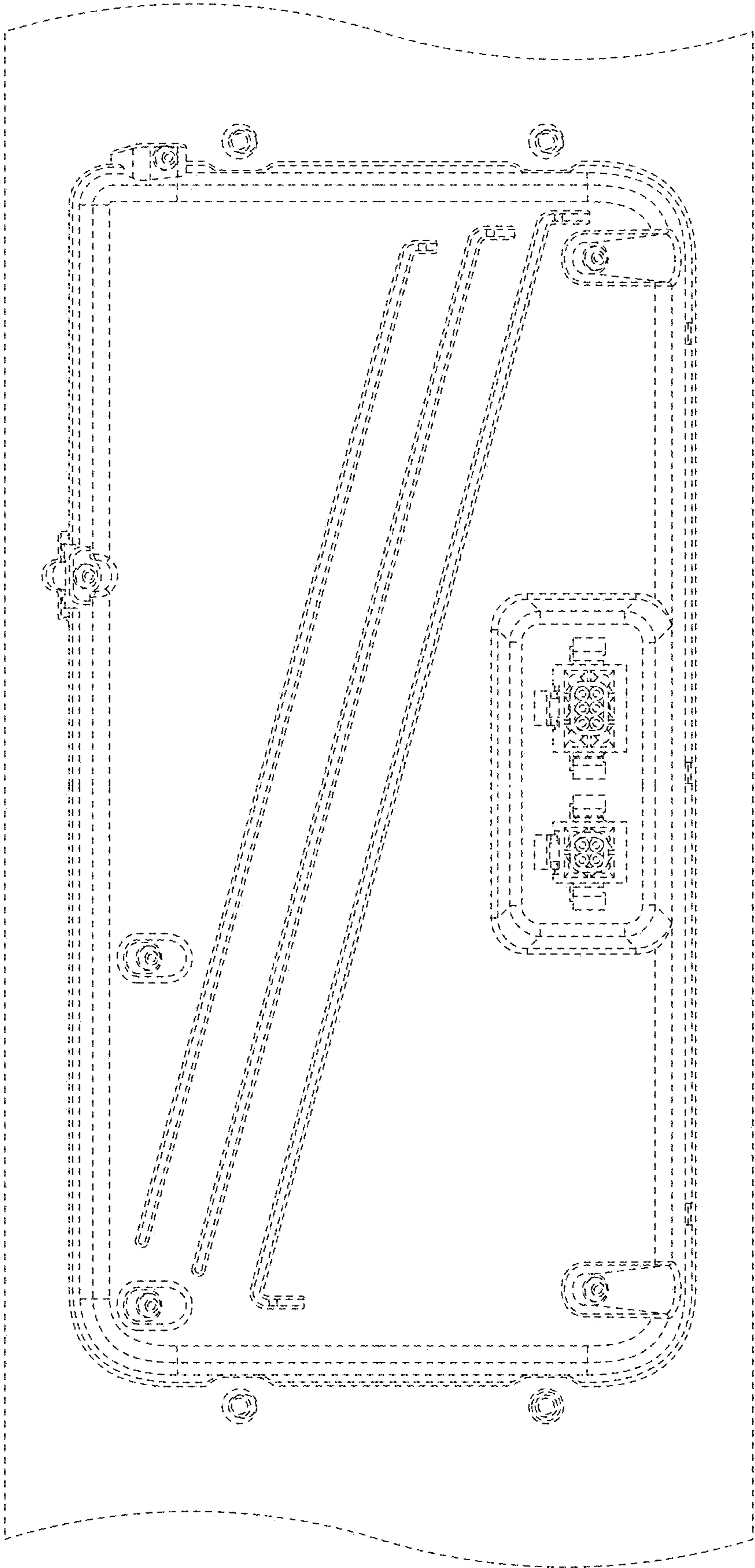
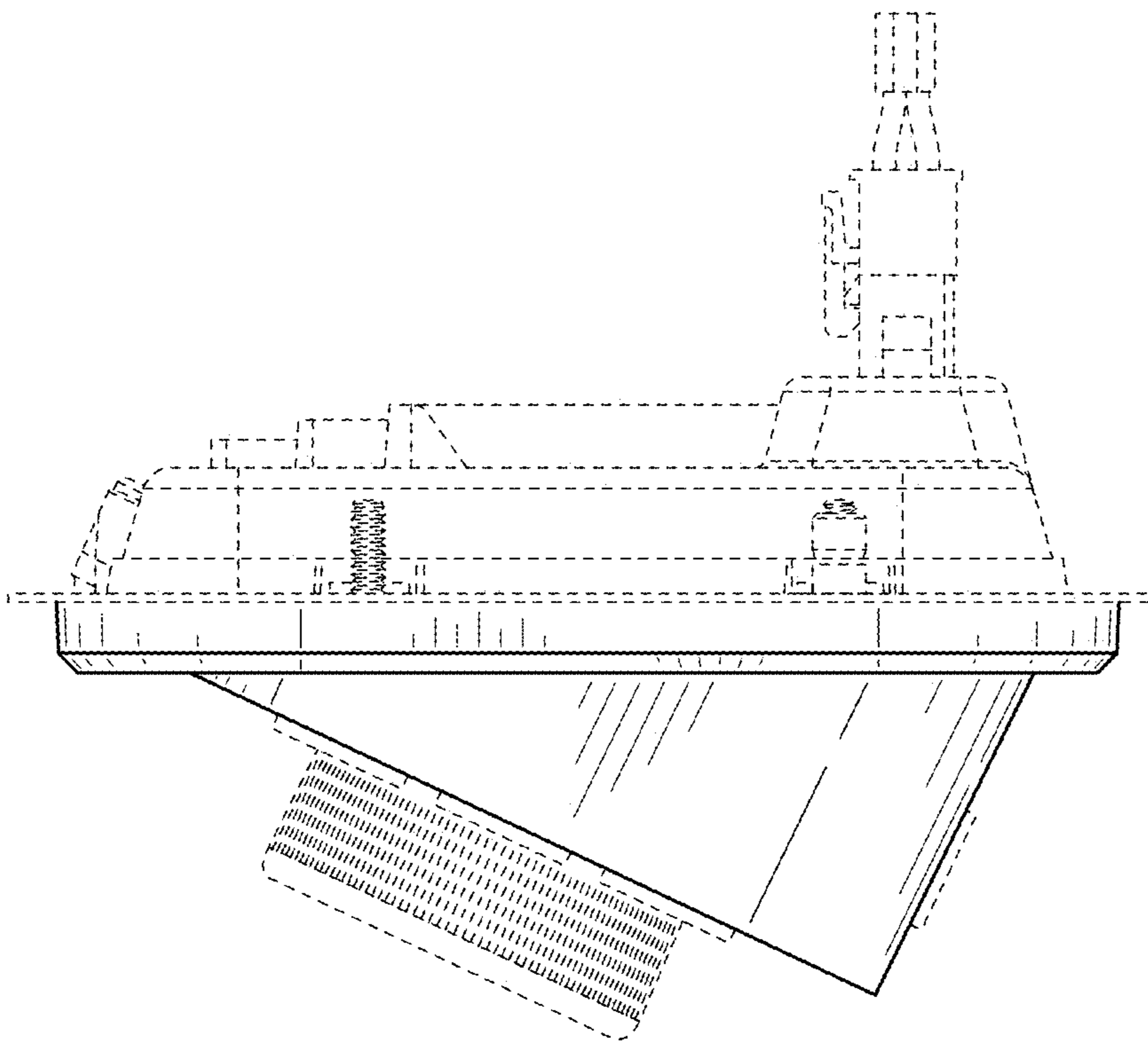
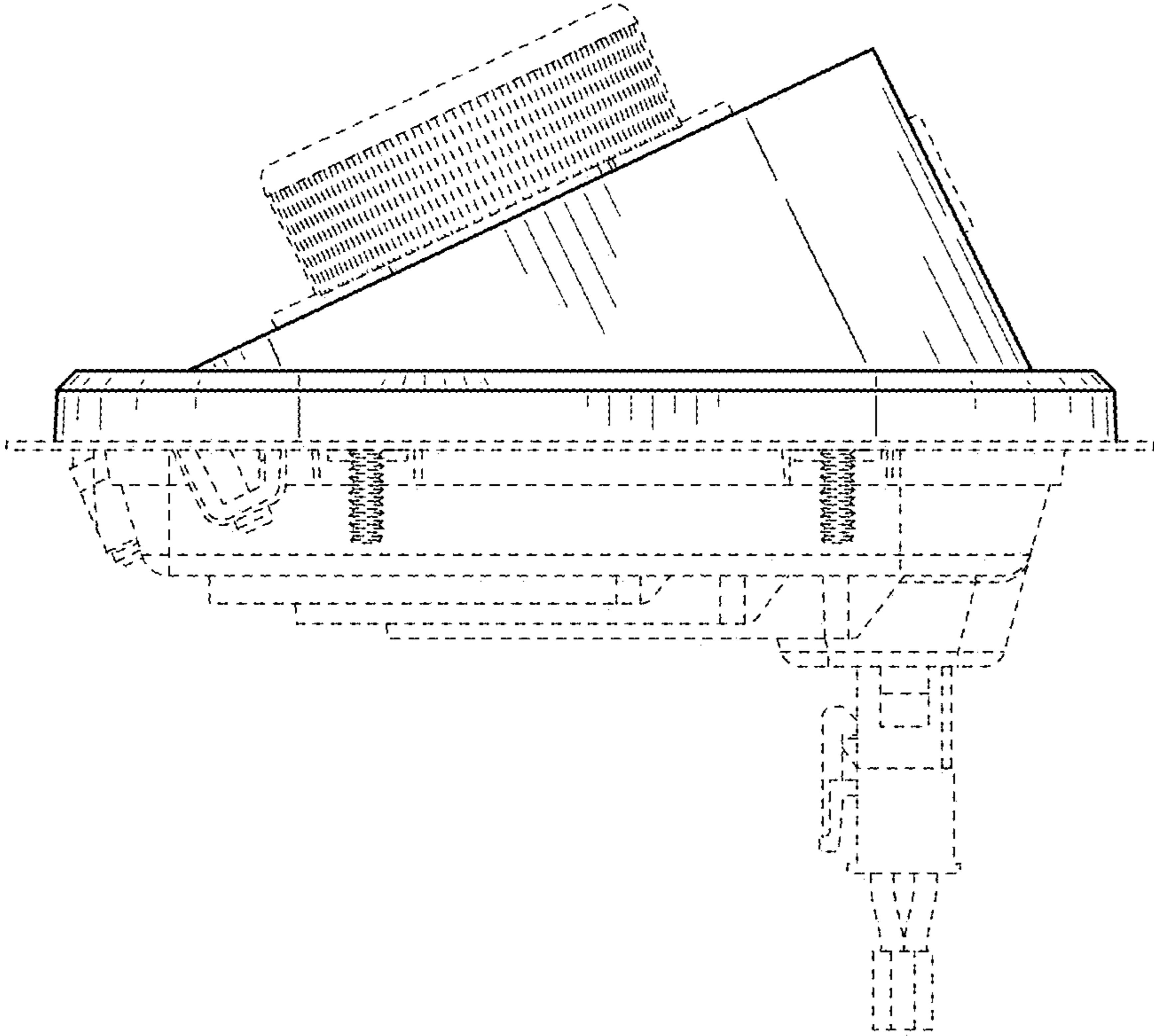


FIG. 5



**FIG. 6**





**FIG. 7**

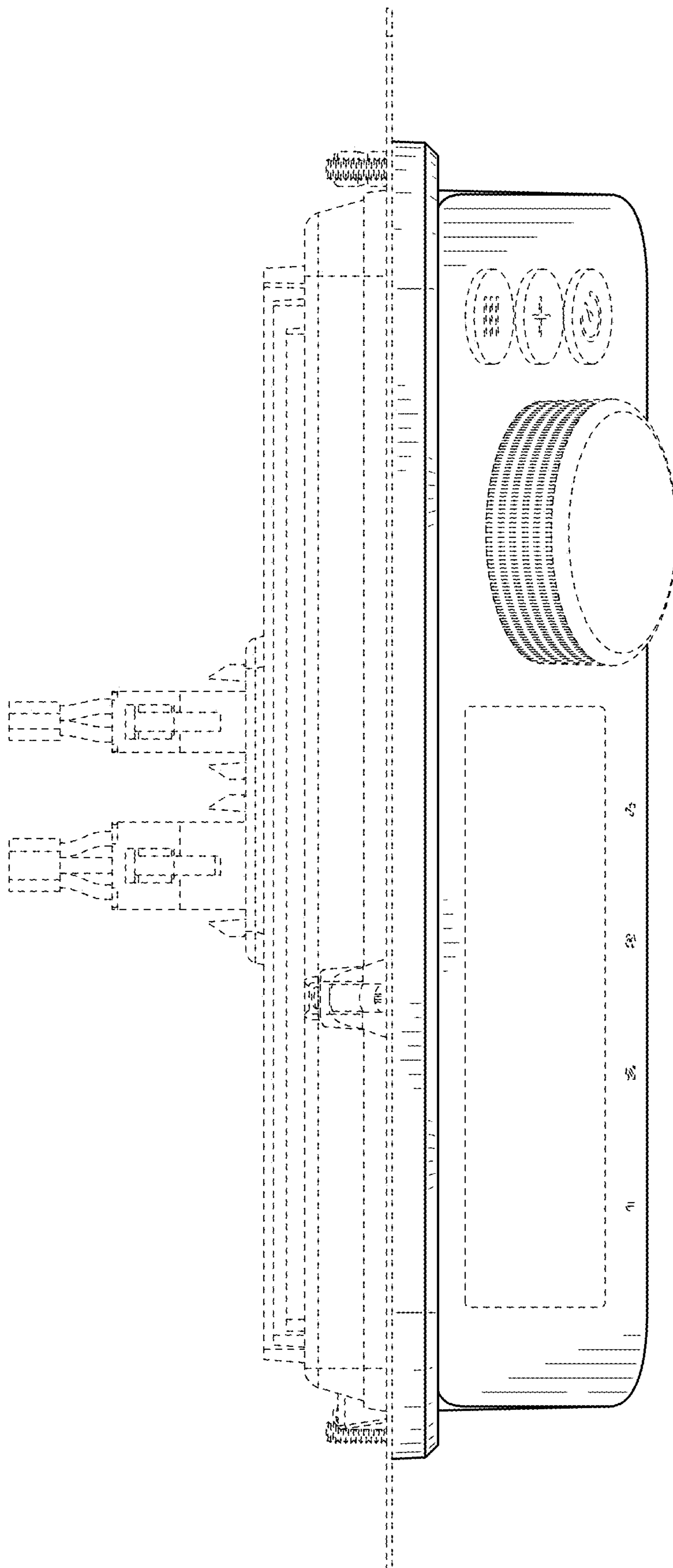
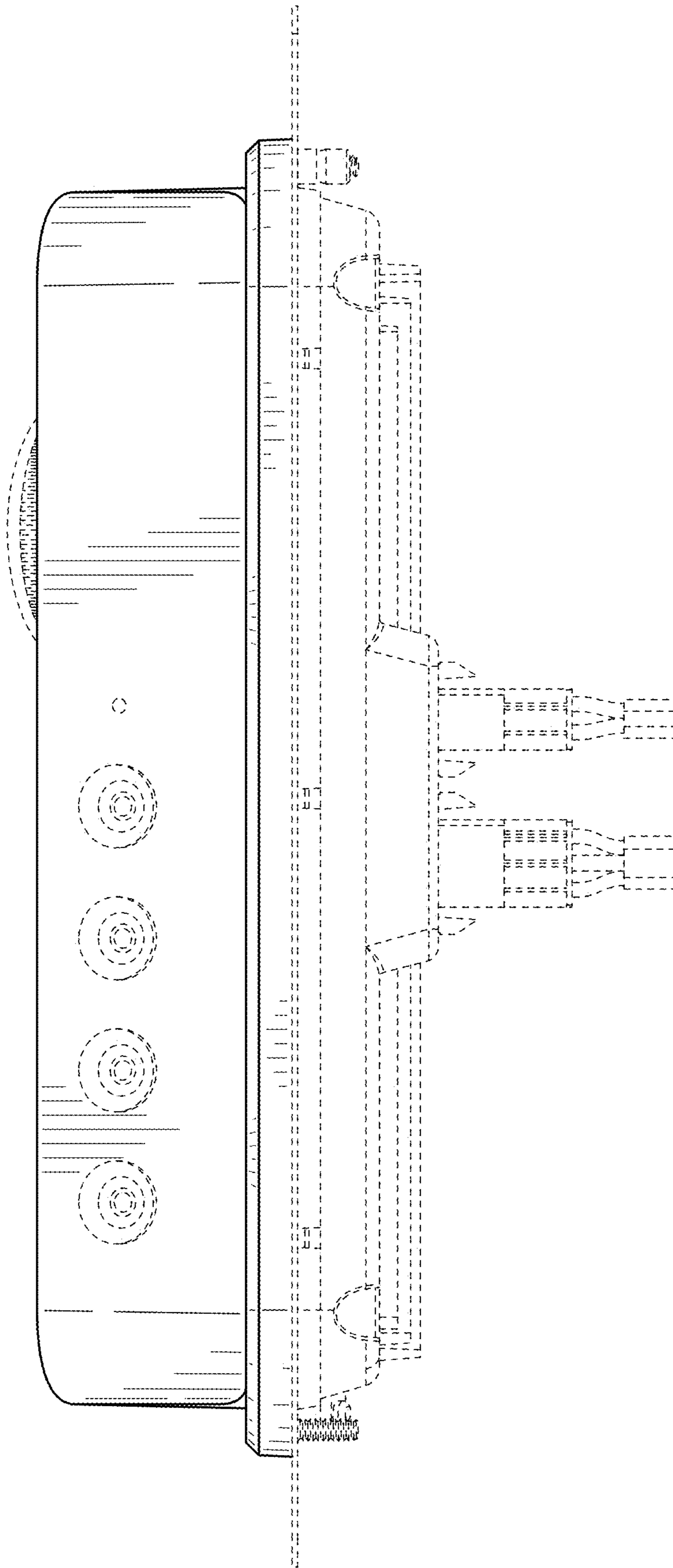


FIG. 8



**FIG. 9**