



US00D915140S

(12) **United States Design Patent** (10) **Patent No.:** **US D915,140 S**  
**Lira-Nunez et al.** (45) **Date of Patent:** **\*\* Apr. 6, 2021**

(54) **GRILL SHROUD**  
(71) Applicant: **Weber-Stephen Products LLC**,  
Palatine, IL (US)  
(72) Inventors: **Carmen O. Lira-Nunez**, Downers  
Grove, IL (US); **Mark Richard Pavel**,  
Lisle, IL (US); **Anton Kalisiak**,  
Palatine, IL (US)  
(73) Assignee: **WEBER-STEPHEN PRODUCTS**  
**LLC**, Palatine, IL (US)

D512,268 S 6/2005 Pai  
D527,947 S 9/2006 Pai  
D554,944 S 11/2007 Wood  
D557,066 S 12/2007 Chau  
D557,068 S \* 12/2007 Lee ..... D7/402  
D557,558 S 12/2007 Chau  
D558,518 S 1/2008 Ho  
D562,629 S 2/2008 Chau  
D562,630 S 2/2008 Chau  
D564,834 S 3/2008 Bruno  
D572,973 S 7/2008 Chau  
D580,220 S 11/2008 McKenzie

(Continued)

(\*\*) Term: **15 Years**

**OTHER PUBLICATIONS**

(21) Appl. No.: **29/723,201**

Expert Report on Industrial Design Application, dated Nov. 5, 2018,  
in corresponding Chilean Application No. 201800795.

(22) Filed: **Feb. 5, 2020**

*Primary Examiner* — Michelle E. Wilson

**Related U.S. Application Data**

(74) *Attorney, Agent, or Firm* — Hanley, Flight &  
Zimmerman, LLC

(62) Division of application No. 29/619,290, filed on Sep.  
28, 2017, now Pat. No. Des. 877,564.

(51) **LOC (13) Cl.** ..... **07-99**

(52) **U.S. Cl.**  
USPC ..... **D7/405**

(57) **CLAIM**

The ornamental design for a grill shroud, as shown and  
described in the following Figures.

(58) **Field of Classification Search**  
USPC ..... D7/323, 340, 339, 332-337, 331, 351,  
D7/346-349, 408, 405, 403, 402, 406,  
D7/387, 345, 343, 539, 564, 571  
CPC .... A47J 37/07; A47J 37/0763; A47J 37/0704;  
H05B 1/0261; H05B 1/0263; H05B  
6/687; F24C 3/008; F24C 3/002; F24C  
3/00; F24C 7/02; F24C 7/00; F24C 5/00  
See application file for complete search history.

**DESCRIPTION**

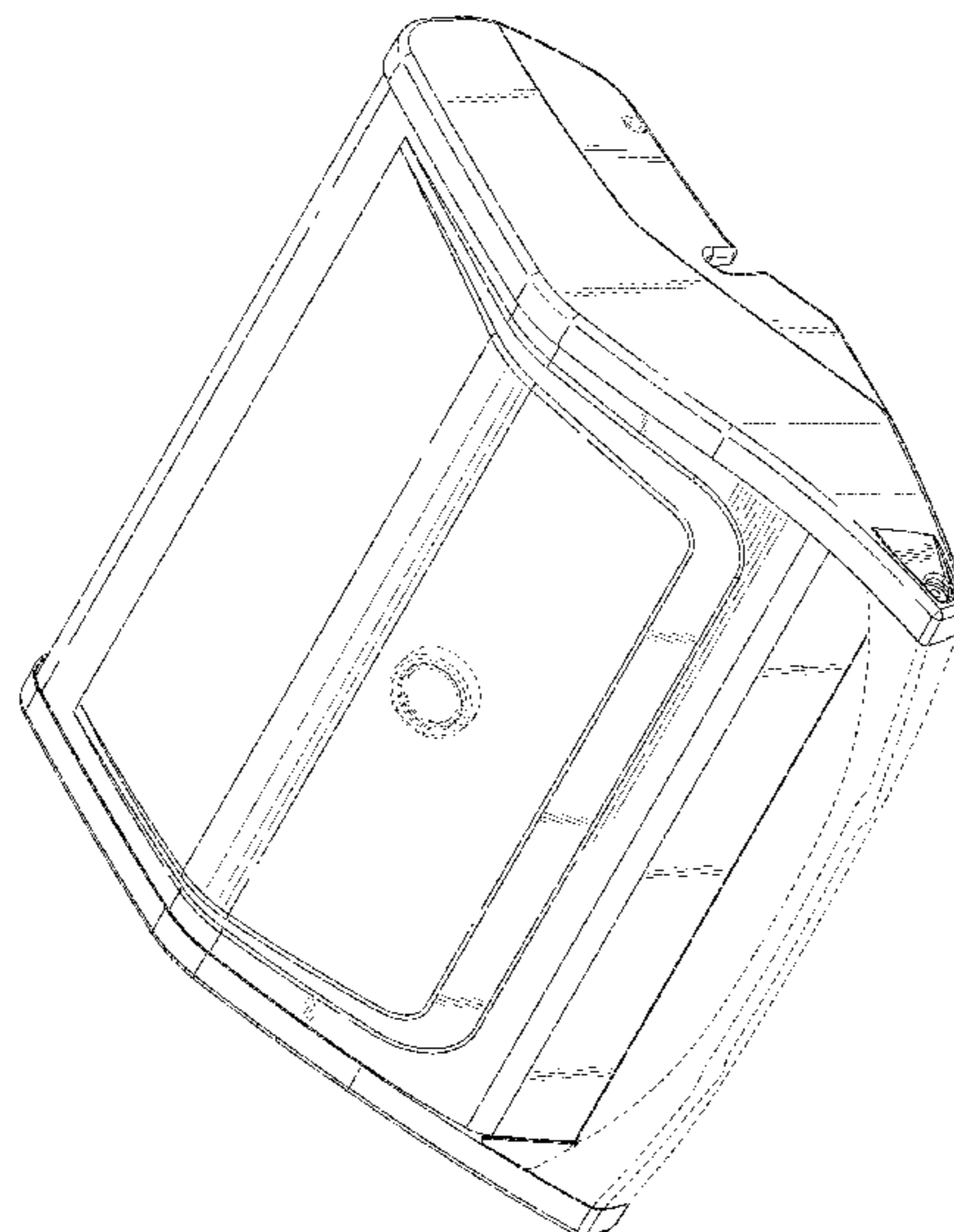
FIG. 1 is a perspective view of a grill shroud of the present  
invention.  
FIG. 2 is a top view of the grill shroud of the present  
invention.  
FIG. 3 is a front view of the grill shroud of the present  
invention.  
FIG. 4 is a left side view of the grill shroud of the present  
invention, the right side view being a mirror image of the left  
side view; and,  
FIG. 5 is a rear view of the grill shroud of the present  
invention.  
The broken lines showing portions of the article form no part  
of the claimed design.

(56) **References Cited**

**U.S. PATENT DOCUMENTS**

D494,009 S \* 8/2004 Joss ..... D7/402  
D494,413 S 8/2004 Joss  
D497,284 S 10/2004 Pai  
D504,048 S \* 4/2005 Joss ..... D7/402

**1 Claim, 5 Drawing Sheets**



(56)

**References Cited**

U.S. PATENT DOCUMENTS

|          |   |   |         |            |       |        |
|----------|---|---|---------|------------|-------|--------|
| D586,615 | S | * | 2/2009  | Lee        | ..... | D7/402 |
| D587,525 | S |   | 3/2009  | Chau       |       |        |
| D604,557 | S |   | 11/2009 | Lee        |       |        |
| D604,558 | S | * | 11/2009 | Chau       | ..... | D7/402 |
| D618,951 | S | * | 7/2010  | Tzeng      | ..... | D7/334 |
| D638,661 | S | * | 5/2011  | Schroeter  | ..... | D7/402 |
| D656,786 | S |   | 4/2012  | Lockhart   |       |        |
| D688,517 | S |   | 8/2013  | Eilgus     |       |        |
| D694,568 | S | * | 12/2013 | Alden      | ..... | D7/334 |
| D709,725 | S |   | 7/2014  | Golsch     |       |        |
| D737,096 | S |   | 8/2015  | Lee        |       |        |
| D769,065 | S |   | 10/2016 | Wilgus     |       |        |
| D798,645 | S | * | 10/2017 | Lira-Nunez | ..... | D7/334 |
| D798,646 | S | * | 10/2017 | Lira-Nunez | ..... | D7/334 |
| D799,259 | S | * | 10/2017 | Lira-Nunez | ..... | D7/334 |
| D799,264 | S | * | 10/2017 | Lira-Nunez | ..... | D7/402 |
| D809,328 | S | * | 2/2018  | Lira-Nunez | ..... | D7/334 |
| D815,875 | S | * | 4/2018  | Lira-Nunez | ..... | D7/334 |
| D816,385 | S | * | 5/2018  | Lira-Nunez | ..... | D7/334 |
| D845,057 | S | * | 4/2019  | Lira-Nunez | ..... | D7/334 |

\* cited by examiner

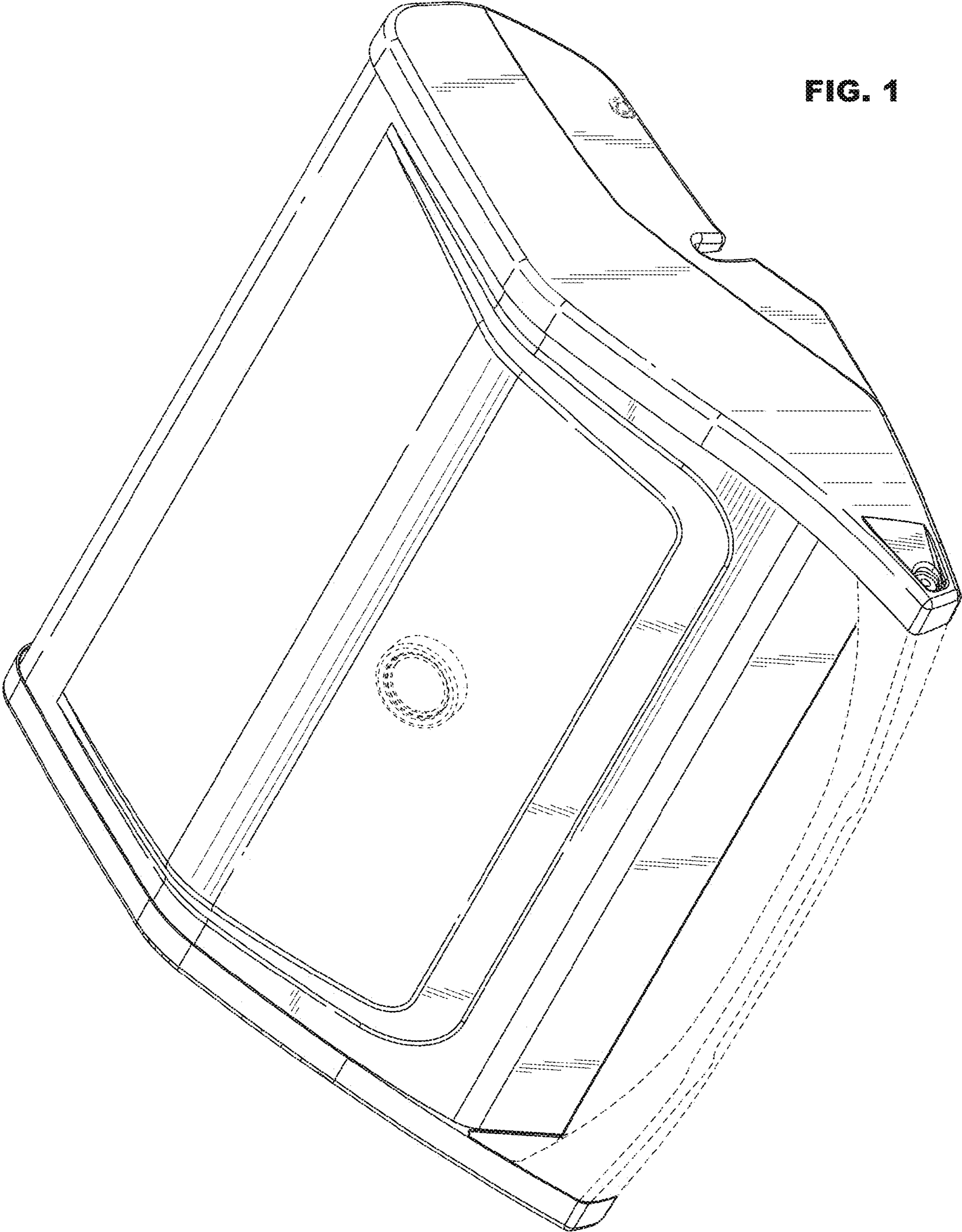


FIG. 1

FIG. 2

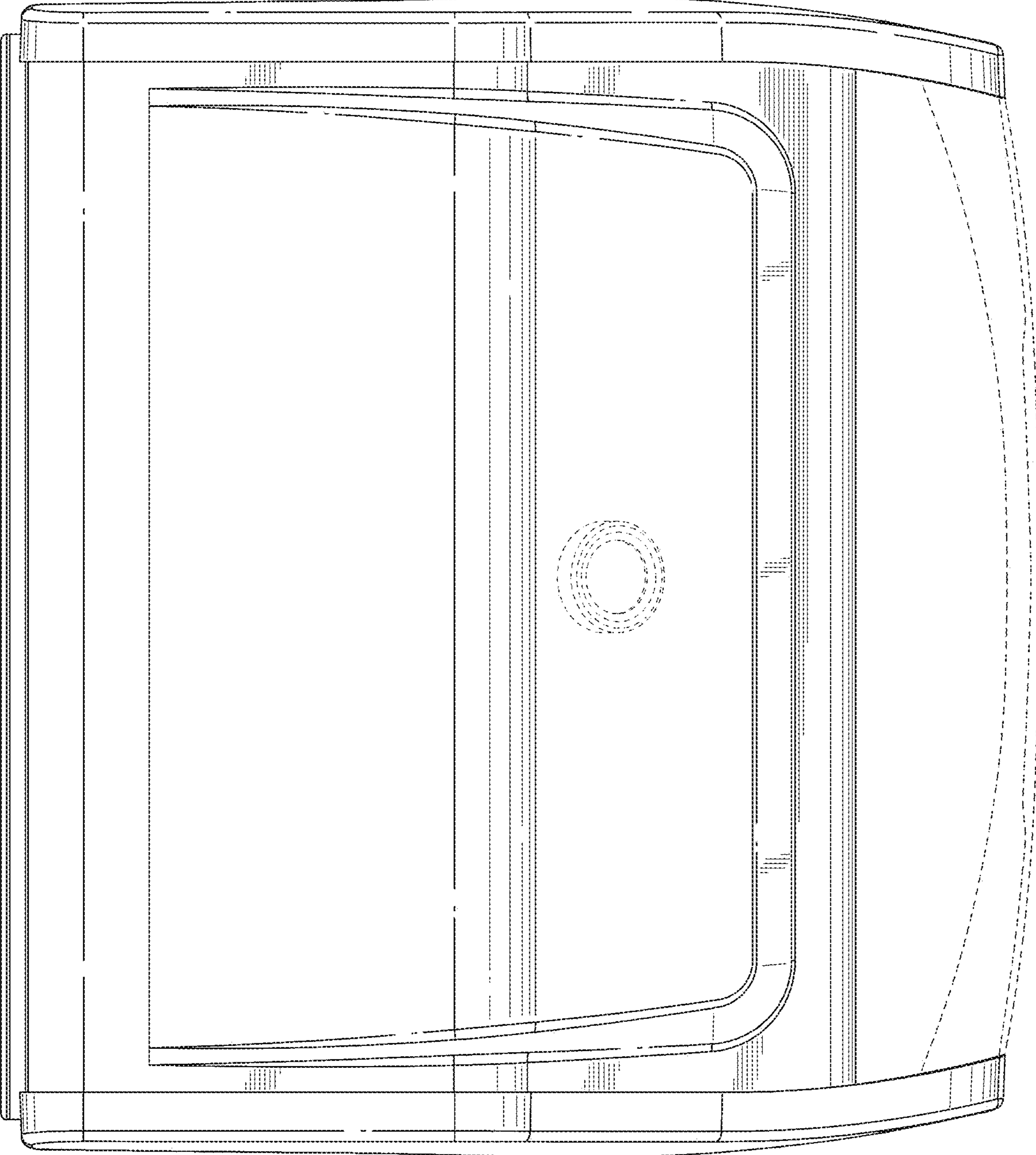


FIG. 3

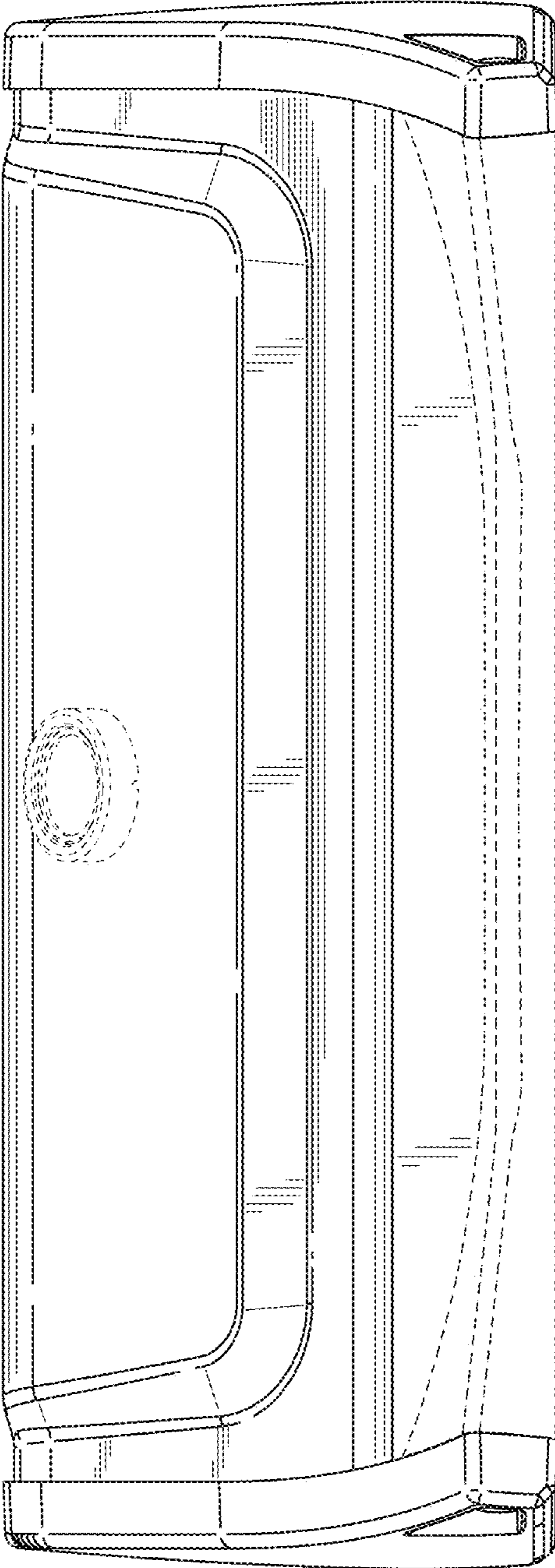
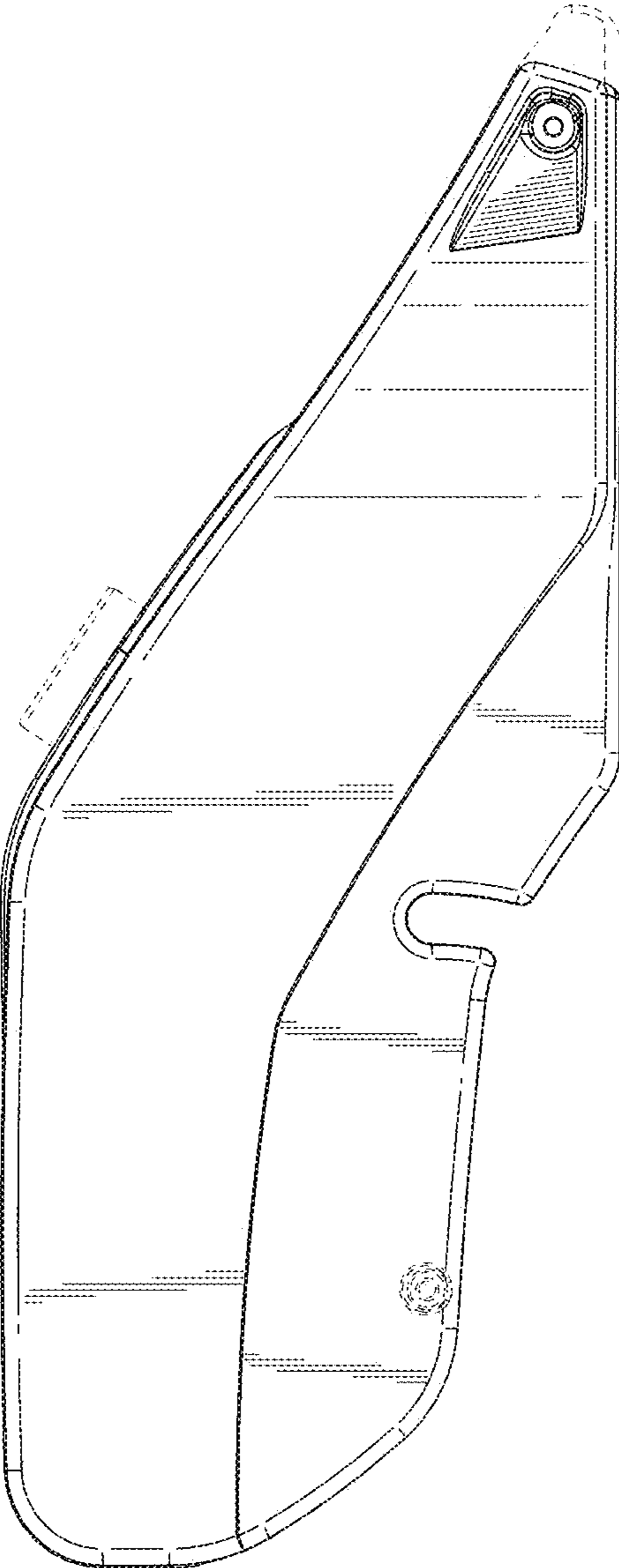


FIG. 4



**FIG. 5**

