



US00D915135S

(12) **United States Design Patent**
Lin

(10) **Patent No.:** **US D915,135 S**

(45) **Date of Patent:** **** Apr. 6, 2021**

- (54) **POUR OVER COFFEE FILTER**
- (71) Applicant: **GUANGZHOU LIVING
HARDWARE AND PLASTIC
MANUFACTURING CO., LTD.,
Guangzhou (CN)**
- (72) Inventor: **Shuyuan Lin, Jiangmen (CN)**
- (73) Assignee: **GUANGZHOU LIVING
HARDWARE AND PLASTIC
MANUFACTURING CO., LTD.,
Gangzhou (CN)**
- (**) Term: **15 Years**
- (21) Appl. No.: **29/752,504**
- (22) Filed: **Sep. 28, 2020**
- (51) **LOC (13) Cl.** **07-99**
- (52) **U.S. Cl.**
USPC **D7/400**
- (58) **Field of Classification Search**
USPC D7/305, 309, 310, 312, 396.1, 396.2,
D7/397, 399, 400, 401, 507, 523, 533,
D7/535, 536; D9/434, 435
CPC A47J 31/005; A47J 31/06; A47J 31/0615;
A47J 31/0626; A47G 19/22
See application file for complete search history.

(56) **References Cited**

U.S. PATENT DOCUMENTS

- 2,811,181 A * 10/1957 Correll B67C 11/02
141/340
- D203,854 S * 2/1966 Douglas D7/400
- 3,334,574 A * 8/1967 Douglas A47J 31/02
99/304
- D217,381 S * 4/1970 Douglas D7/400
- D226,531 S * 3/1973 Beckman D7/400
- 6,083,392 A * 7/2000 Rigney A47J 37/1271
210/451

- D563,161 S * 3/2008 Bodum D7/399
- 7,926,414 B1 * 4/2011 Wolcott A47J 31/0615
99/279
- D694,852 S * 12/2013 Gordon D23/209
- D717,110 S 11/2014 De Leo
- D778,668 S * 2/2017 Hojo D7/400
- D790,915 S * 7/2017 Yeh D7/400
- D791,535 S * 7/2017 Yeh D7/400
- D803,620 S * 11/2017 Yeh D7/400
- D809,338 S * 2/2018 Mikami D7/400
- D845,704 S * 4/2019 Xu D7/400
- D847,448 S * 4/2019 Twining D34/1
- D847,564 S * 5/2019 Best B65D 1/0223
D7/400
- 10,307,009 B2 * 6/2019 Sachtleben A47J 31/06
- D873,607 S * 1/2020 Day, Jr. A47J 37/1271
D7/400
- D873,608 S * 1/2020 de Martrin-Donos
A47J 31/0615
D7/400
- 2009/0178572 A1 * 7/2009 Wolcott A47J 31/0626
99/323

(Continued)

Primary Examiner — Susan E Krakower
Assistant Examiner — Andrew Kerr

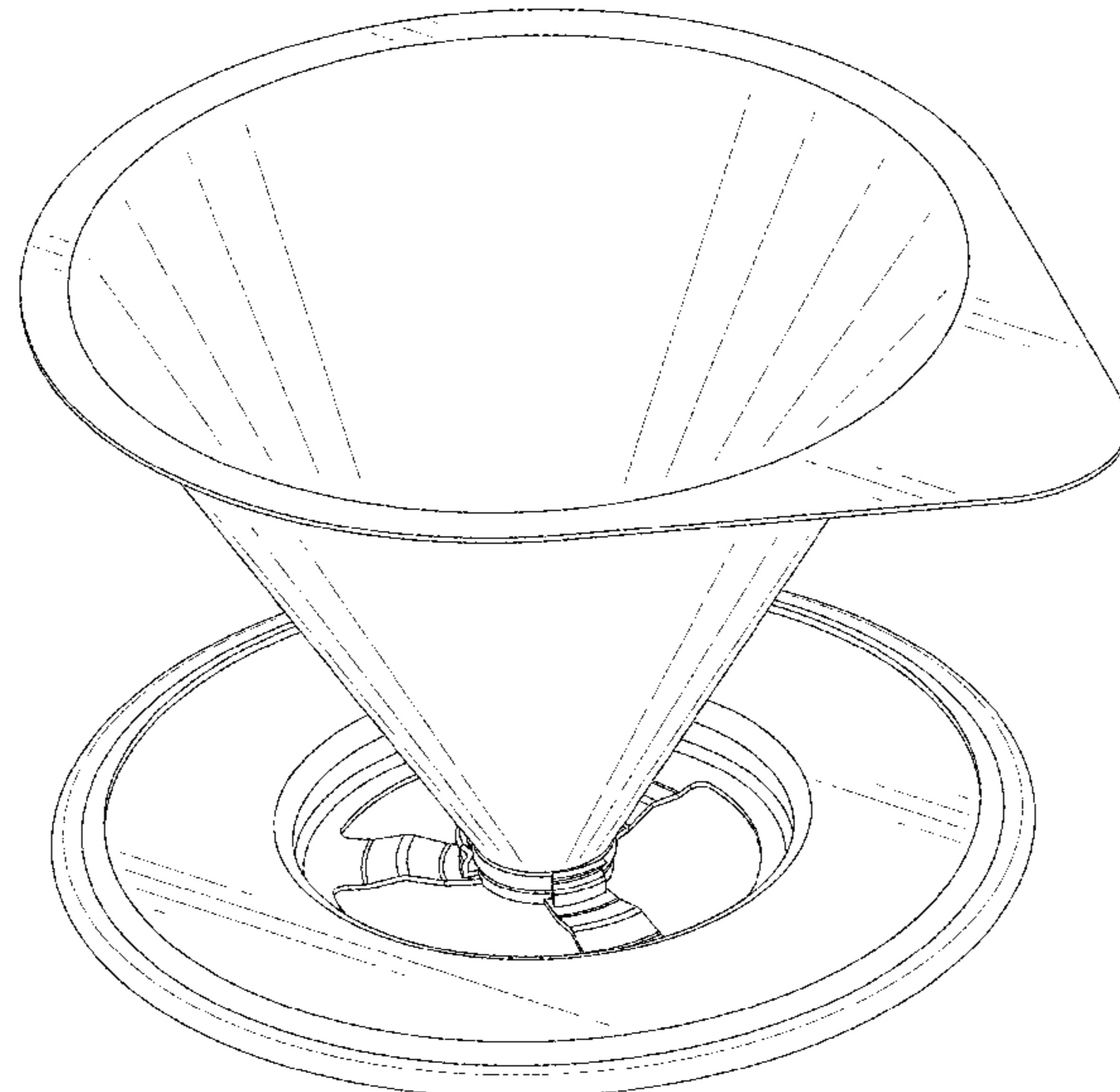
(57) **CLAIM**

The ornamental design for a pour over coffee filter, as shown and described.

DESCRIPTION

FIG. 1 is a perspective view of a pour over coffee filter showing my new design;
FIG. 2 is another perspective view thereof;
FIG. 3 is another perspective view thereof;
FIG. 4 is a front elevational view thereof
FIG. 5 is a rear elevational view thereof;
FIG. 6 is a left side elevational view thereof;
FIG. 7 is a right side elevational view thereof;
FIG. 8 is a top plan view thereof; and,
FIG. 9 is a bottom plan view thereof.

1 Claim, 9 Drawing Sheets



(56)

References Cited

U.S. PATENT DOCUMENTS

2013/0313291 A1* 11/2013 Gascoine B65D 1/0223
222/460

* cited by examiner

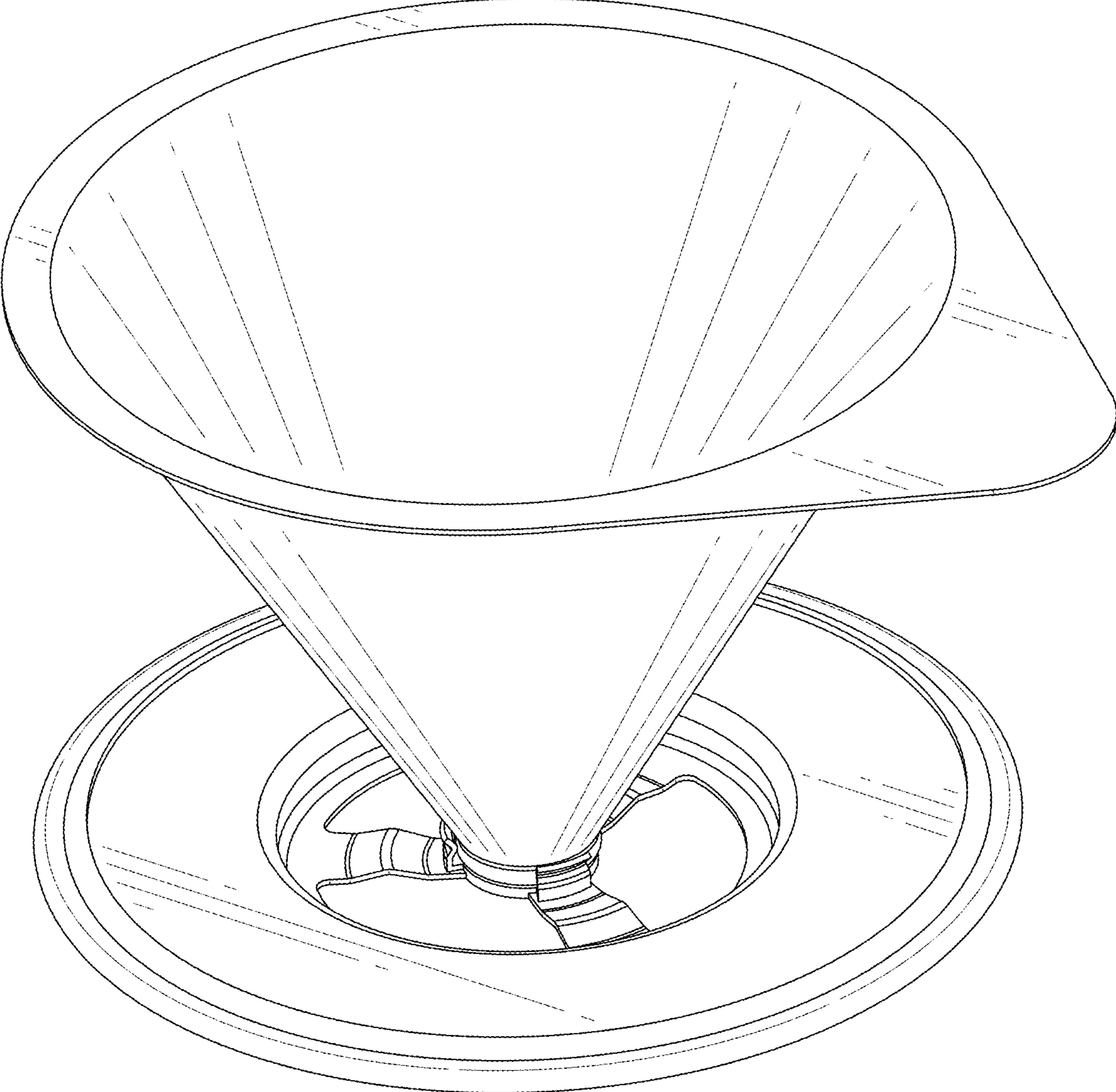


FIG. 1

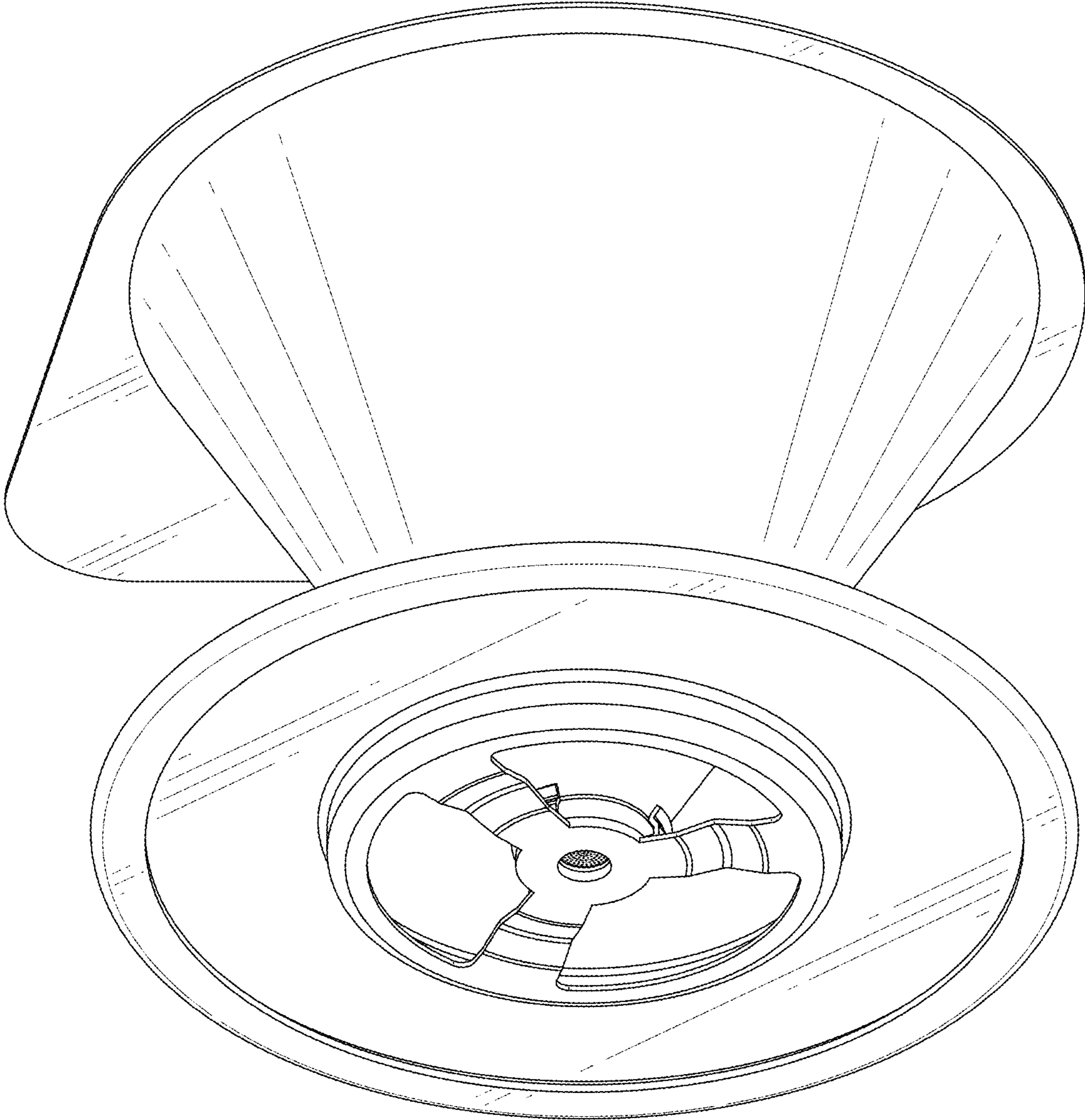


FIG. 2

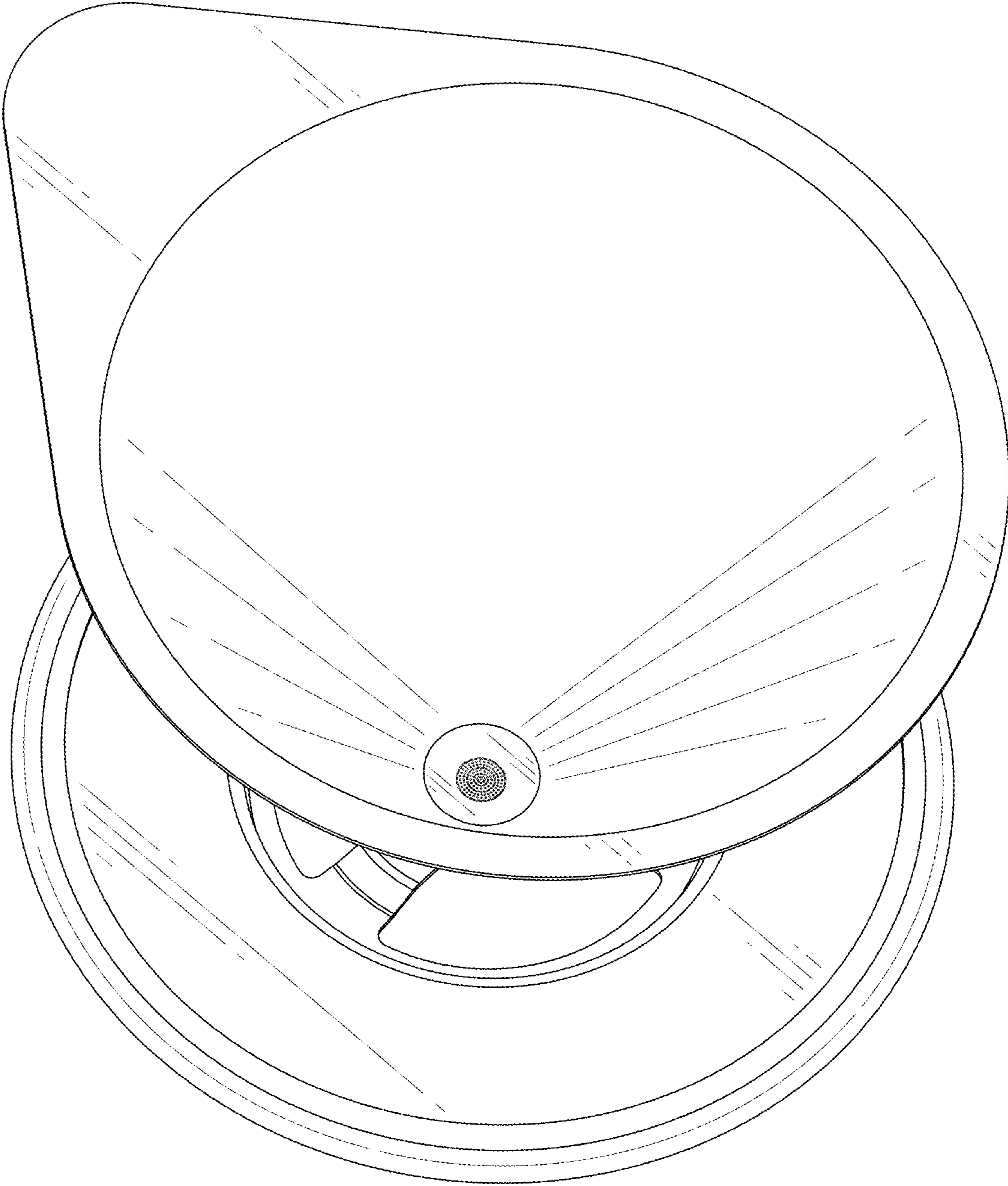


FIG. 3

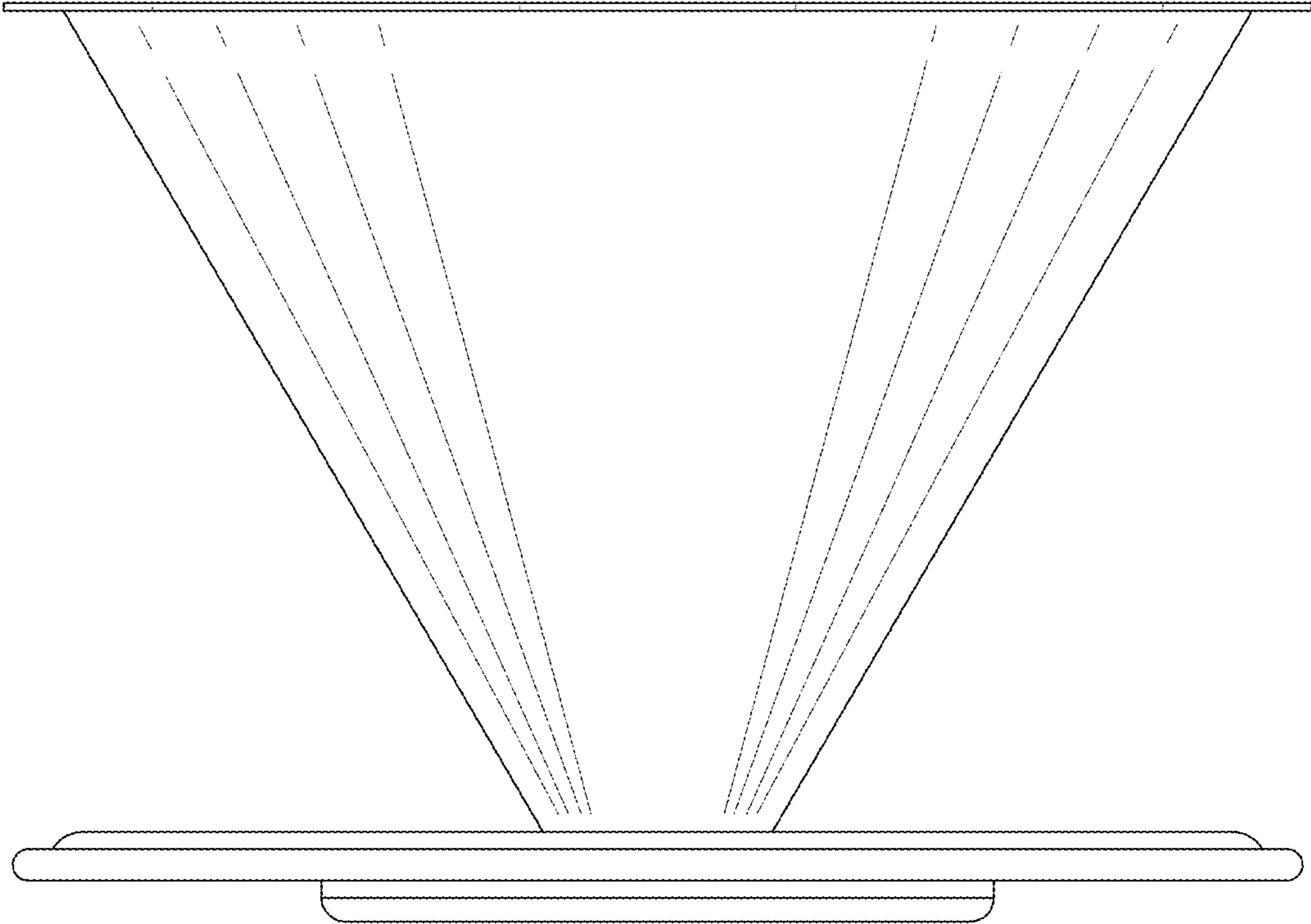


FIG. 4

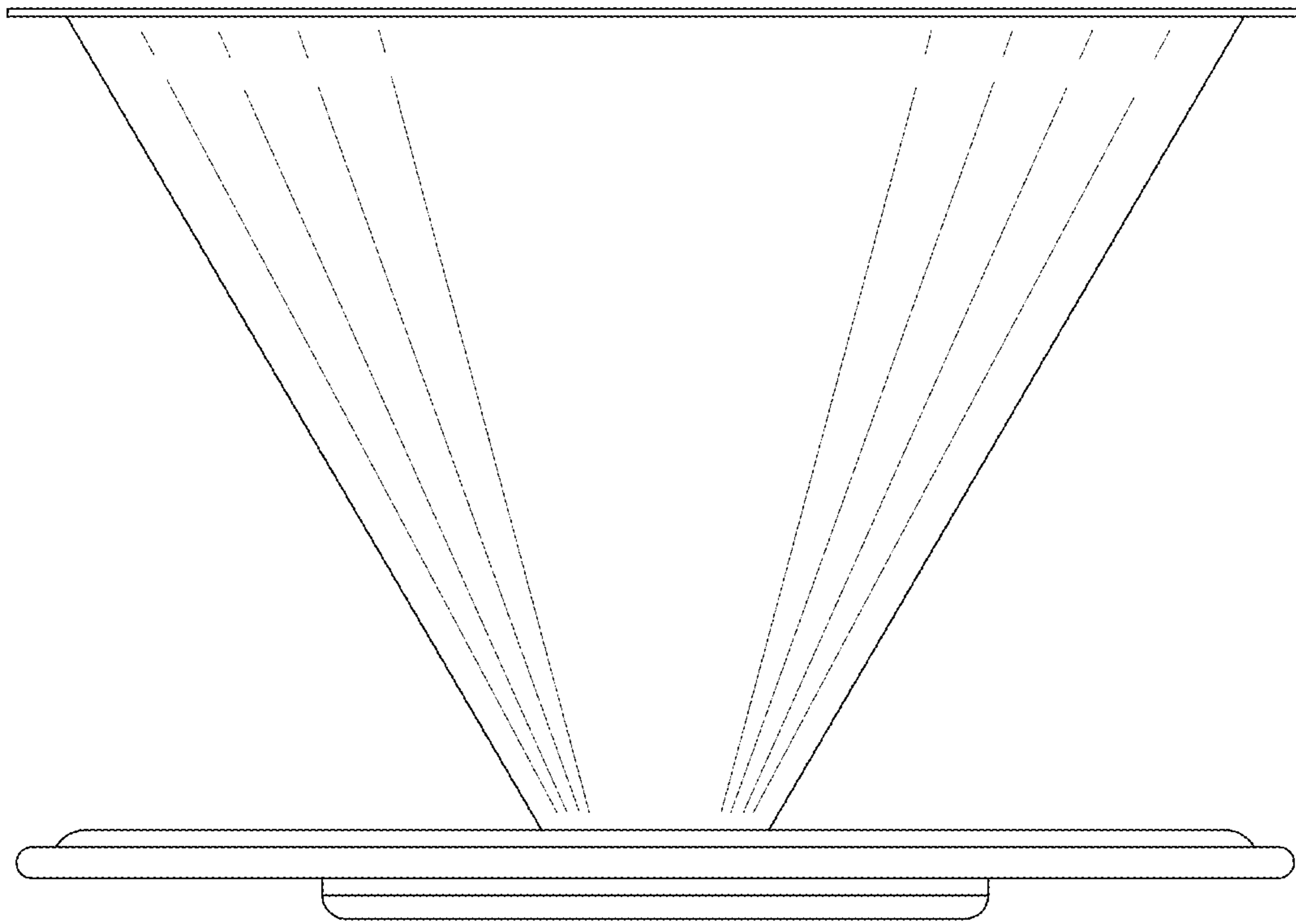


FIG. 5

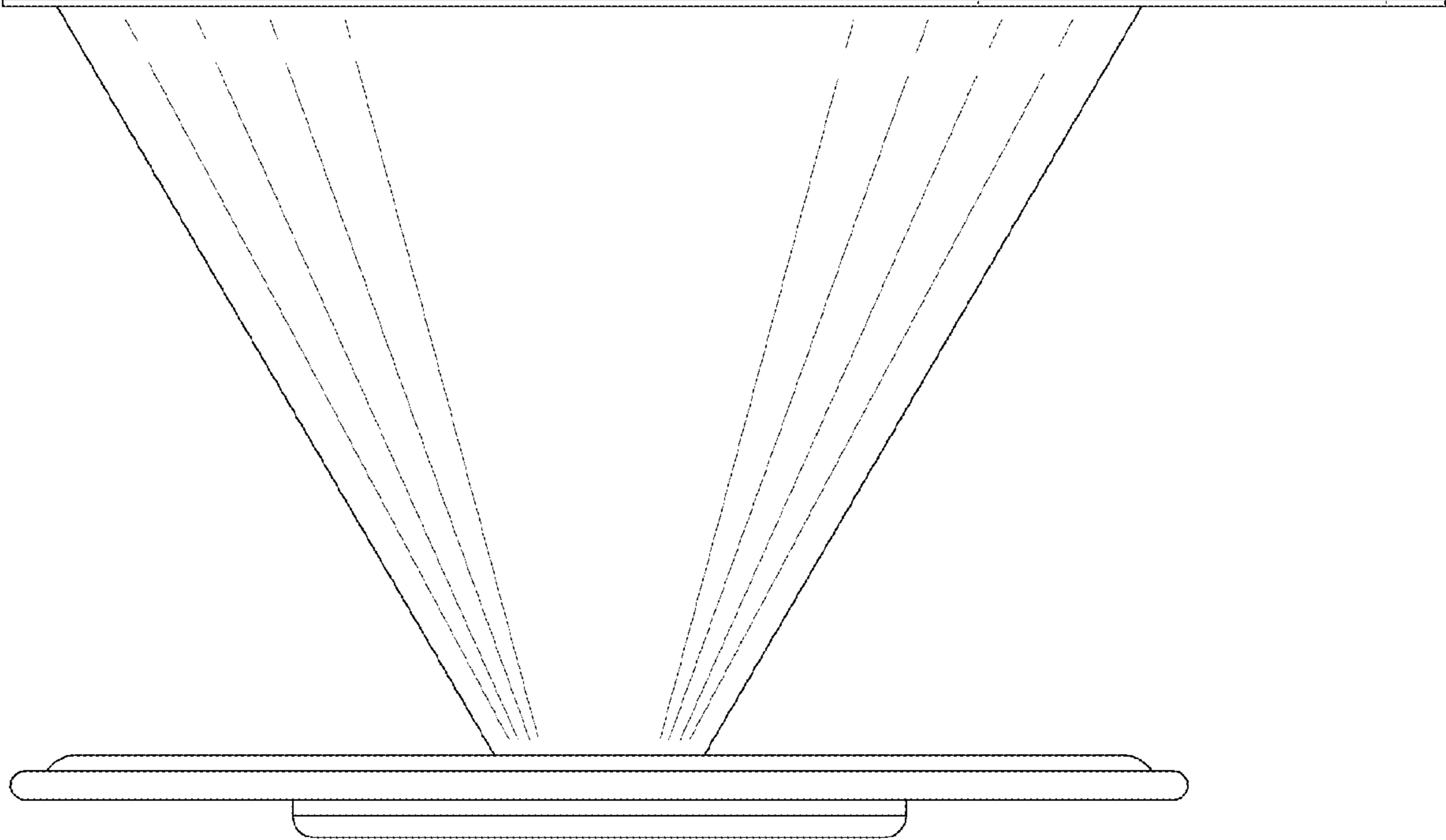


FIG. 6

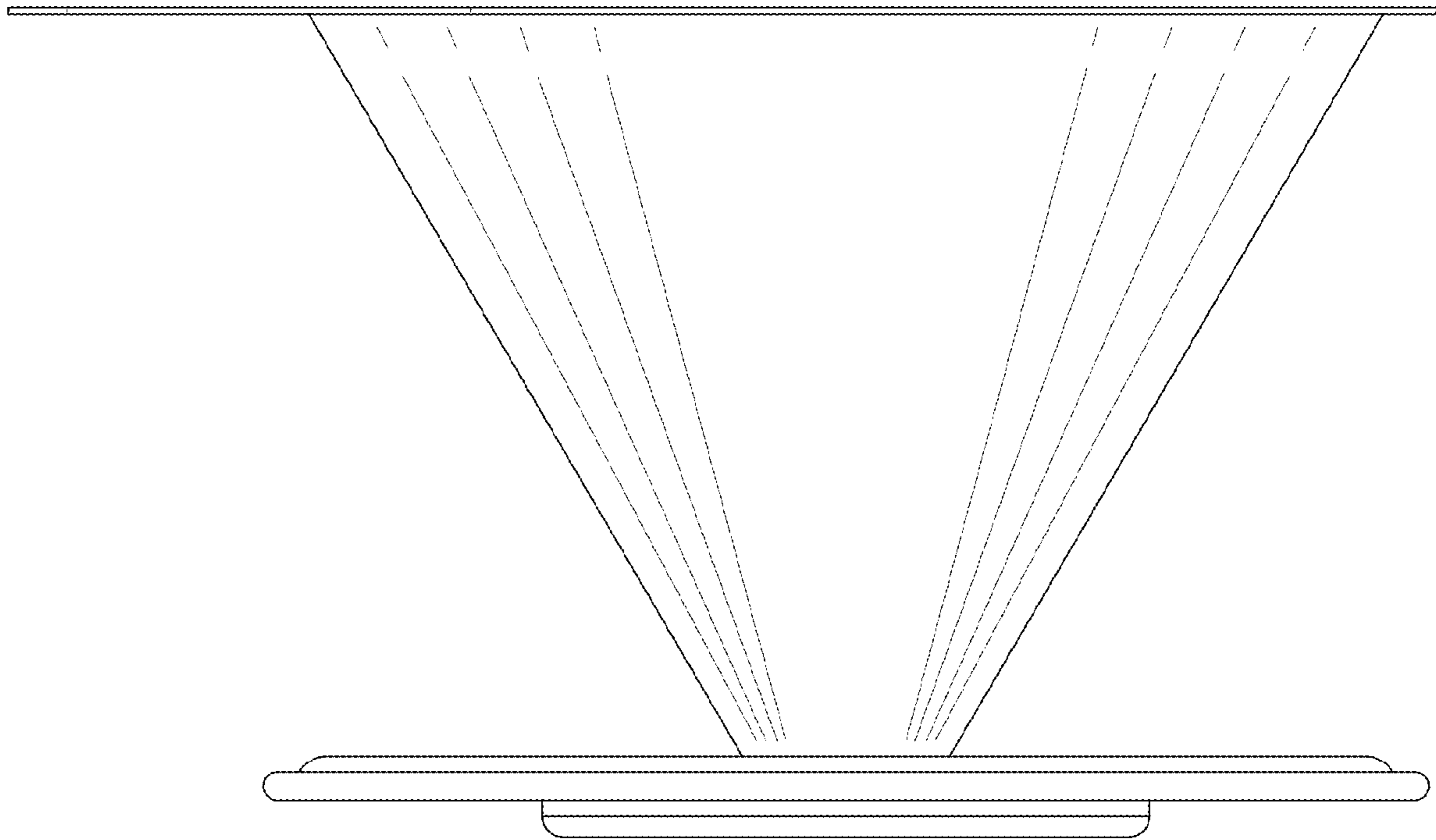


FIG. 7

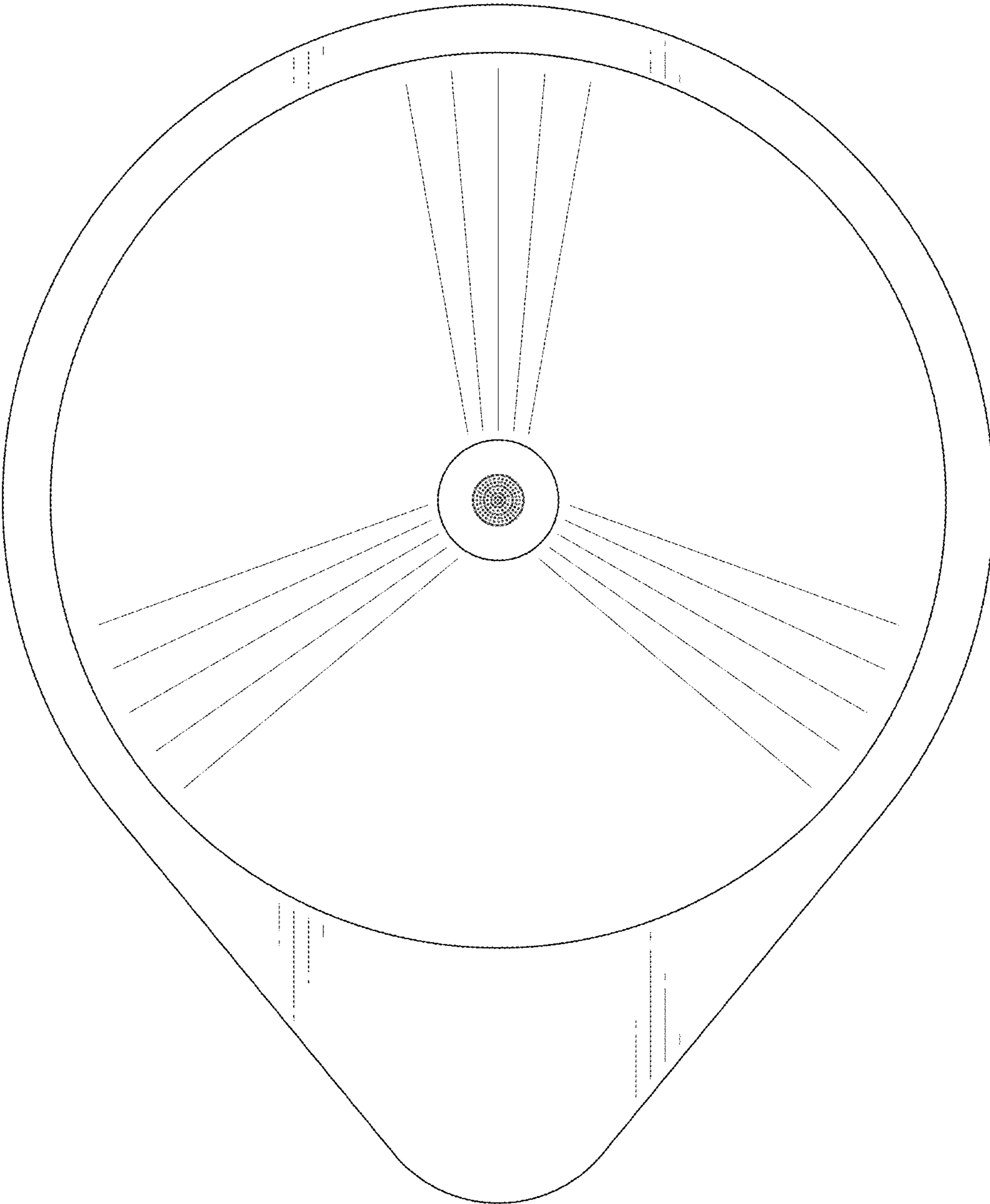


FIG. 8

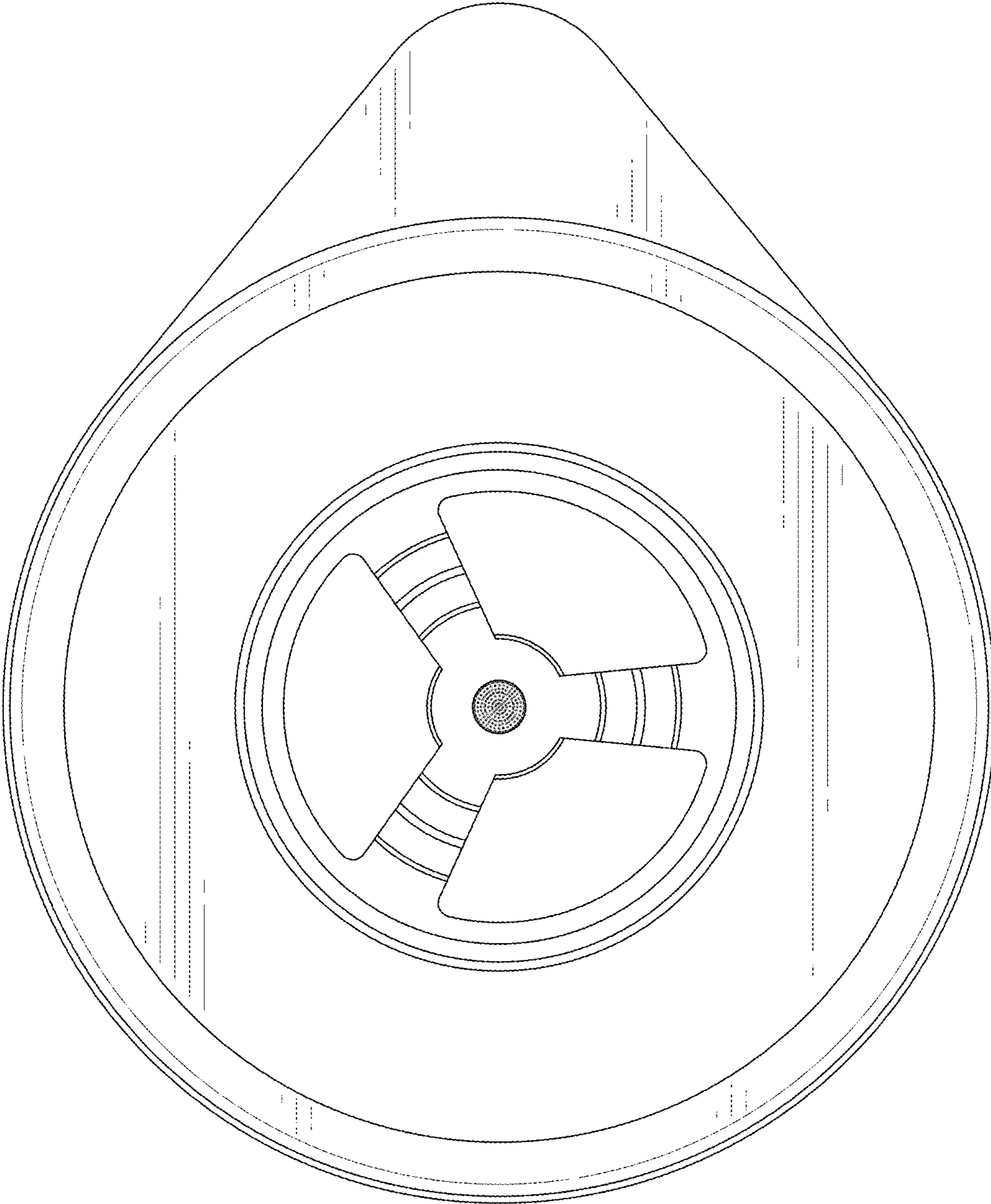


FIG. 9