



US00D915134S

(12) **United States Design Patent** (10) **Patent No.:** **US D915,134 S**
You et al. (45) **Date of Patent:** **** Apr. 6, 2021**

(54) **COFFEE MACHINE DRIPPER**
(71) Applicant: **LG ELECTRONICS INC.,** Seoul (KR)
(72) Inventors: **Hyunhee You,** Seoul (KR); **Sungkyung Kim,** Seoul (KR); **Joo-Gyeom Kim,** Seoul (KR); **Kyoungmin Baek,** Seoul (KR); **Woonkyu Seo,** Seoul (KR); **Hyunsun Yoo,** Seoul (KR); **Yousook Eun,** Seoul (KR); **Hyejin Choi,** Seoul (KR)

8,739,687 B1 * 6/2014 Tacklind A47J 31/42 99/280
D718,972 S * 12/2014 Jorgensen D7/309
D735,514 S * 8/2015 Cheung D7/300
D747,619 S * 1/2016 Hampton D7/317
D763,086 S * 8/2016 Kalagher D9/504
D763,613 S * 8/2016 Han D7/306
D763,614 S * 8/2016 Han D7/306
D813,678 S * 3/2018 Kalagher D9/504
D823,049 S * 7/2018 Neace, Jr. D7/399
D828,093 S * 9/2018 Chitayat D7/507
D831,400 S * 10/2018 Han D7/309
D853,771 S * 7/2019 Wood D7/306

(Continued)

(73) Assignee: **LG Electronics Inc.,** Seoul (KR)
(**) Term: **15 Years**

Primary Examiner — Marianne N Pandozzi
(74) *Attorney, Agent, or Firm* — Birch, Stewart, Kolasch & Birch, LLP

(21) Appl. No.: **29/676,680**

(57) **CLAIM**

The ornamental design for a coffee machine dripper, as shown and described.

(22) Filed: **Jan. 14, 2019**

(30) **Foreign Application Priority Data**

DESCRIPTION

Jul. 13, 2018 (KR) 30-2018-0032536

(51) **LOC (13) Cl.** **07-99**

(52) **U.S. Cl.**
USPC **D7/399; D7/400; D7/316**

(58) **Field of Classification Search**
USPC D7/305, 400, 354, 638, 321, 397, 399, D7/317, 316, 312, 300.1, 300, 309, 311, D7/510, 667; D23/261; D32/55
CPC A23F 3/18; A23F 3/00; A47J 31/06; A47J 31/547; A47J 36/027; A47J 31/20; A47J 31/42

See application file for complete search history.

FIG. 1 is a front, right side, perspective view of a coffee machine dripper showing our new design;
FIG. 2 is a front view thereof;
FIG. 3 is a rear view thereof;
FIG. 4 is a left side view thereof;
FIG. 5 is a right side view thereof;
FIG. 6 is a top view thereof;
FIG. 7 is a bottom view thereof;
FIG. 8 is an environmental perspective view thereof;
FIG. 9 is an environmental perspective view thereof where the bottom portion of the coffee machine dripper is removed for ease of illustration; and,
FIG. 10 is an environmental perspective view thereof where the top portion of the coffee machine dripper is removed for ease of illustration.

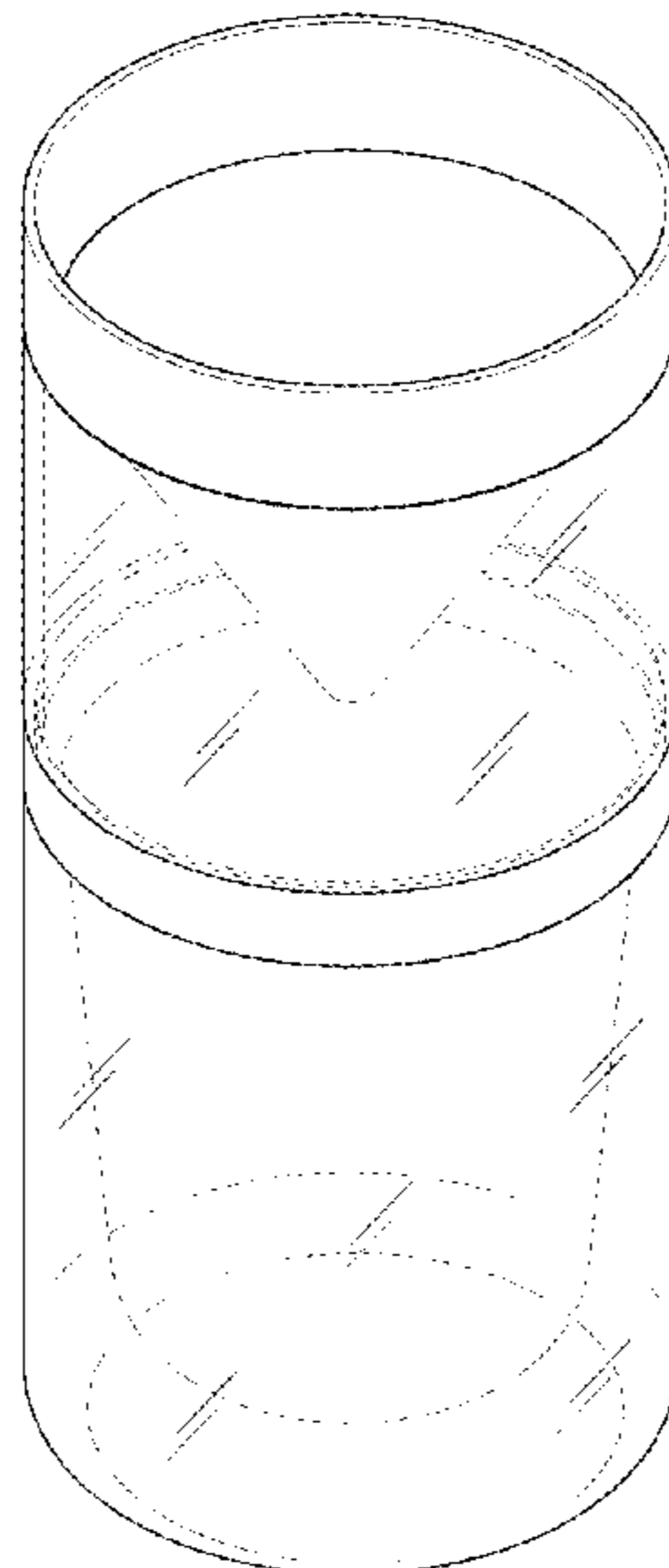
The broken lines show environment of the coffee machine dripper that forms no part of the claimed design.

(56) **References Cited**

U.S. PATENT DOCUMENTS

D325,146 S * 4/1992 Pedersen D7/310
D585,233 S * 1/2009 Bodum D7/317

1 Claim, 10 Drawing Sheets



(56)

References Cited

U.S. PATENT DOCUMENTS

2012/0138525 A1* 6/2012 Jo C02F 1/001
210/446
2013/0233178 A1* 9/2013 Herling A47J 31/18
99/322
2014/0174965 A1* 6/2014 Herling A47J 31/20
206/216
2015/0289712 A1* 10/2015 Choi A47J 31/057
99/300

* cited by examiner

FIG. 1

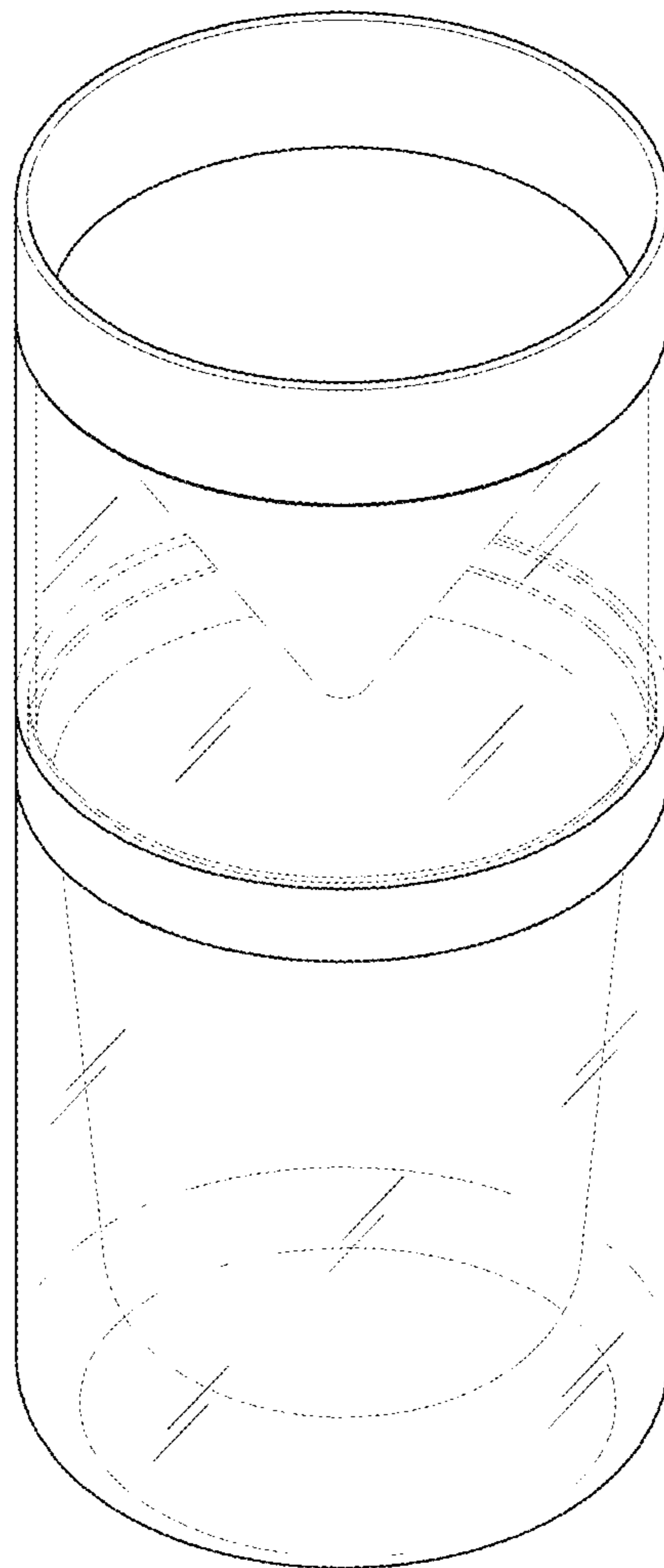


FIG. 2

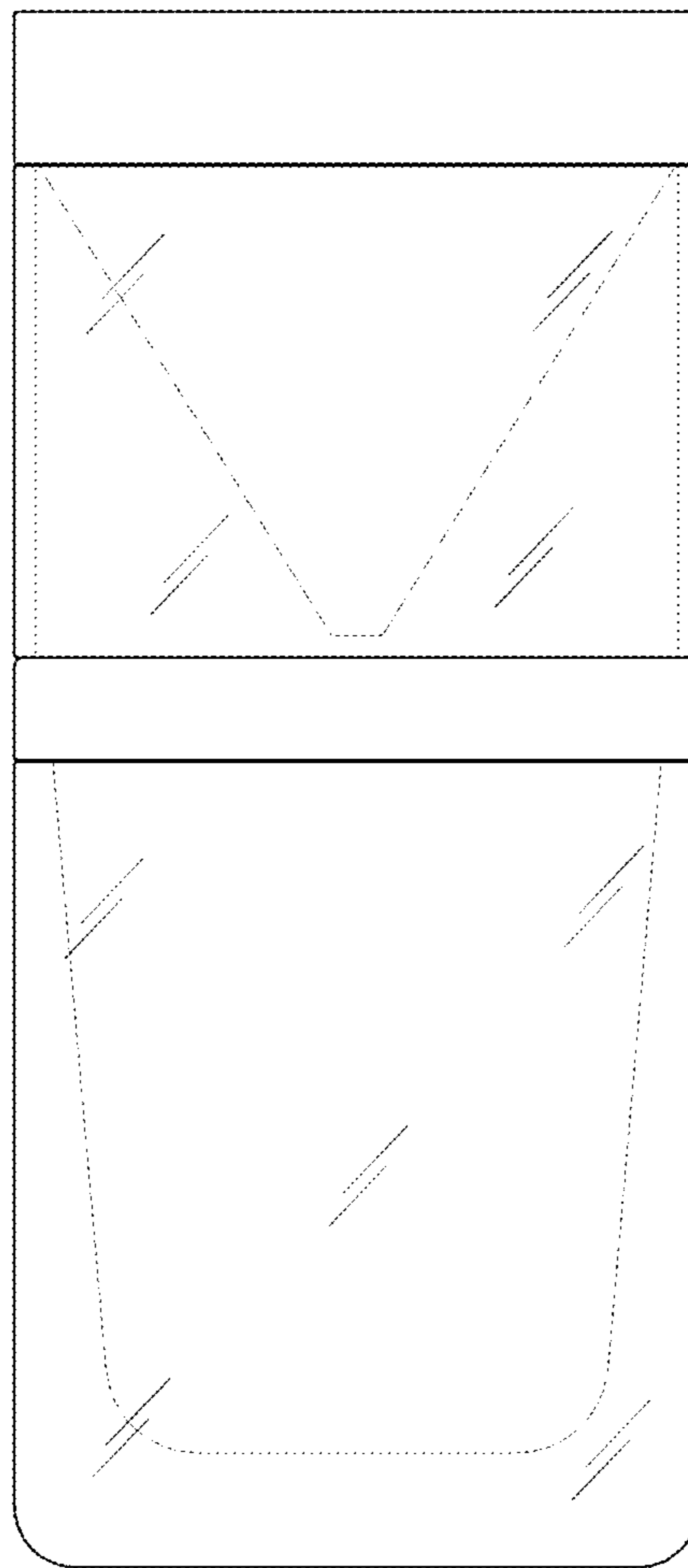


FIG. 3

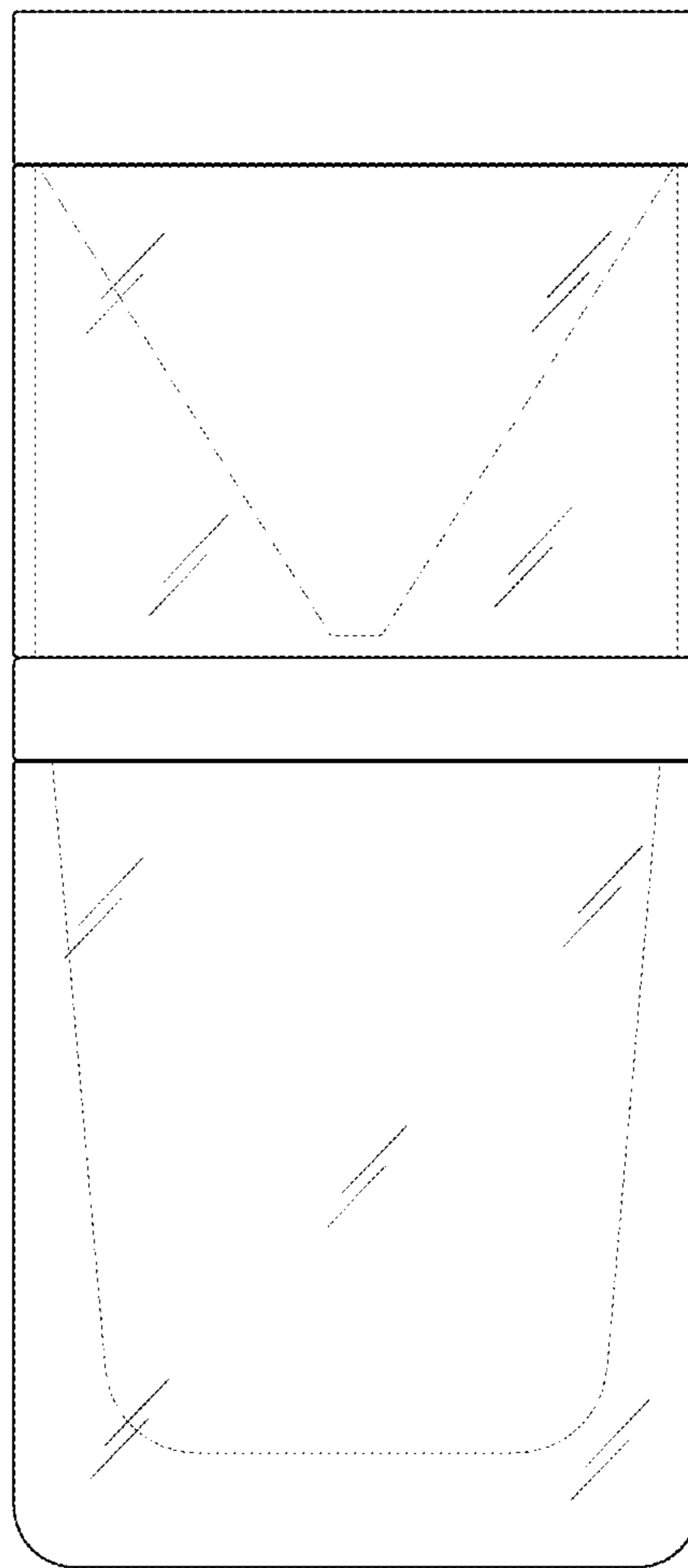


FIG. 4

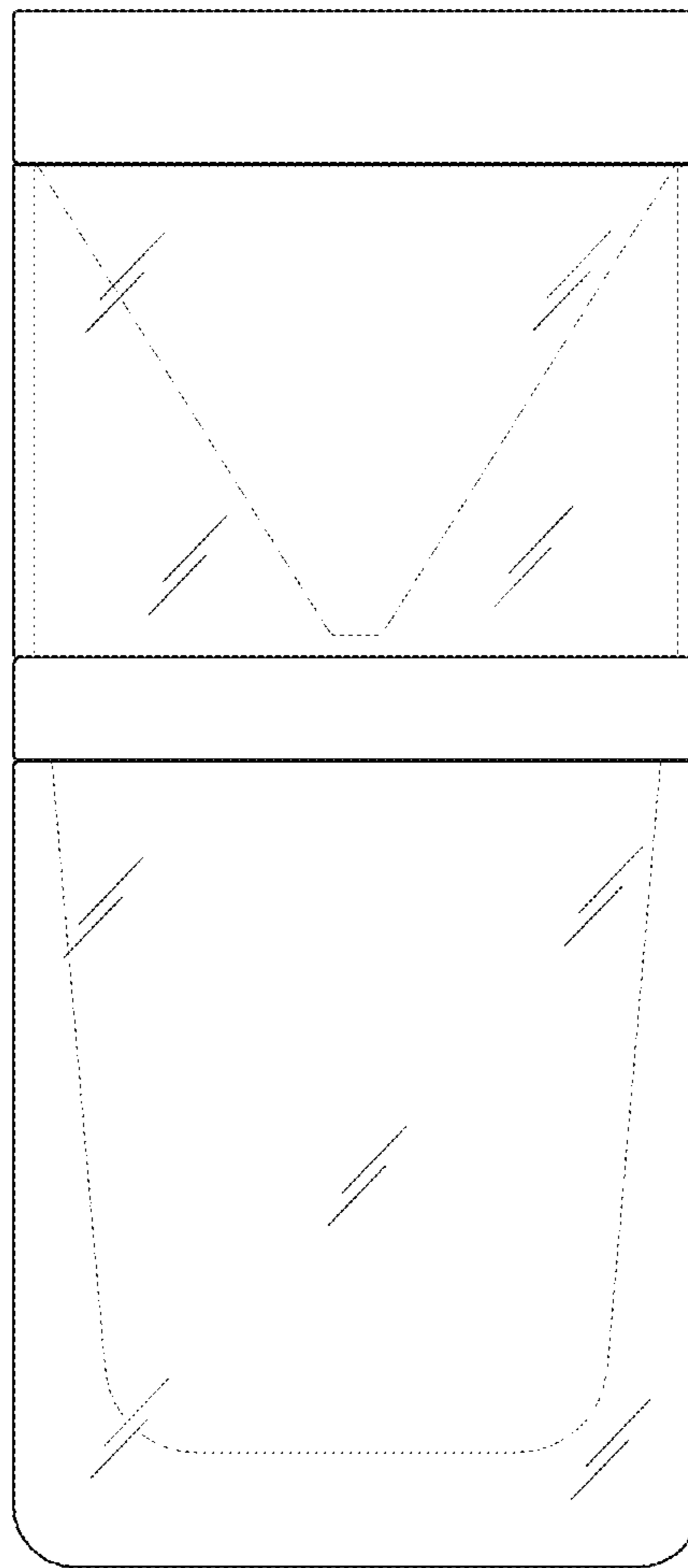


FIG. 5

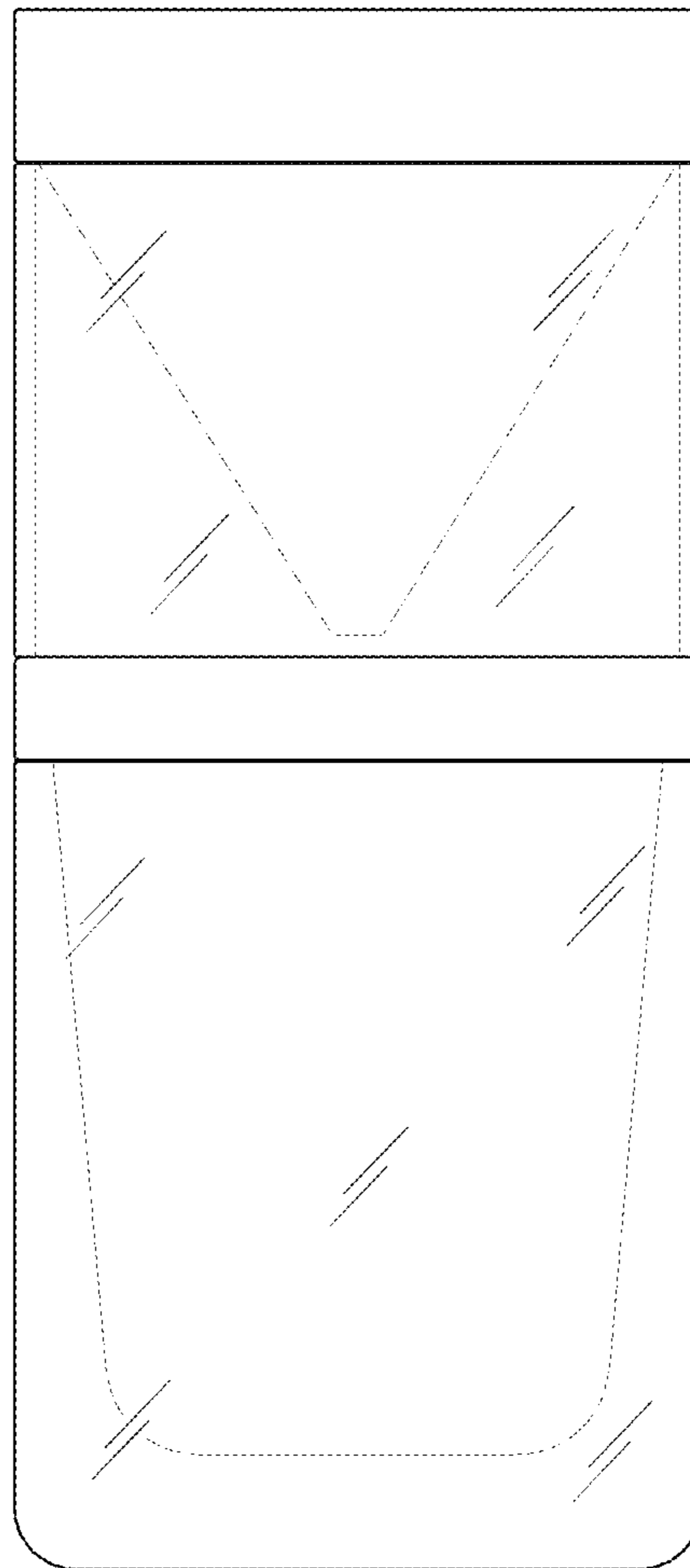


FIG. 6

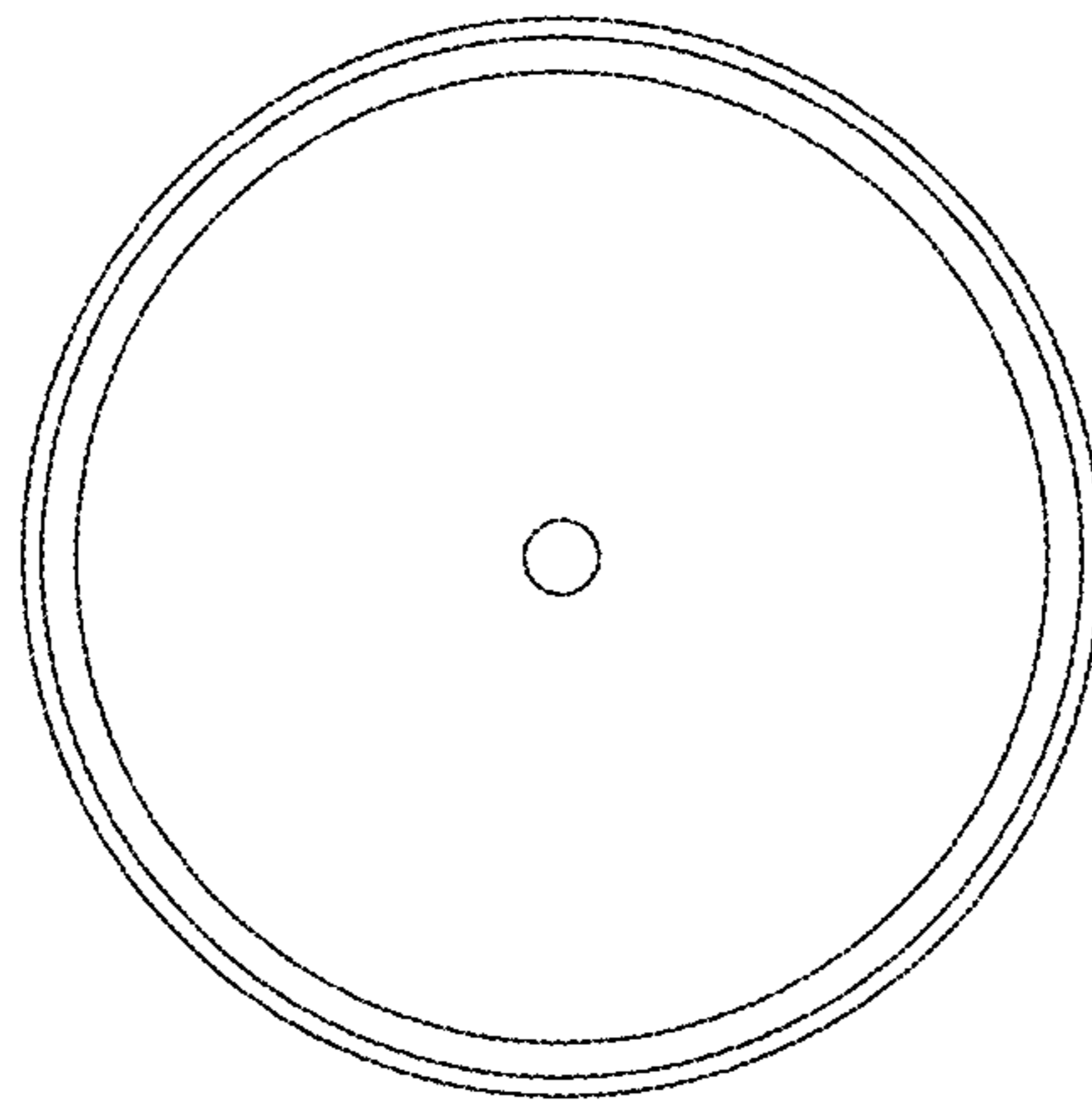


FIG. 7

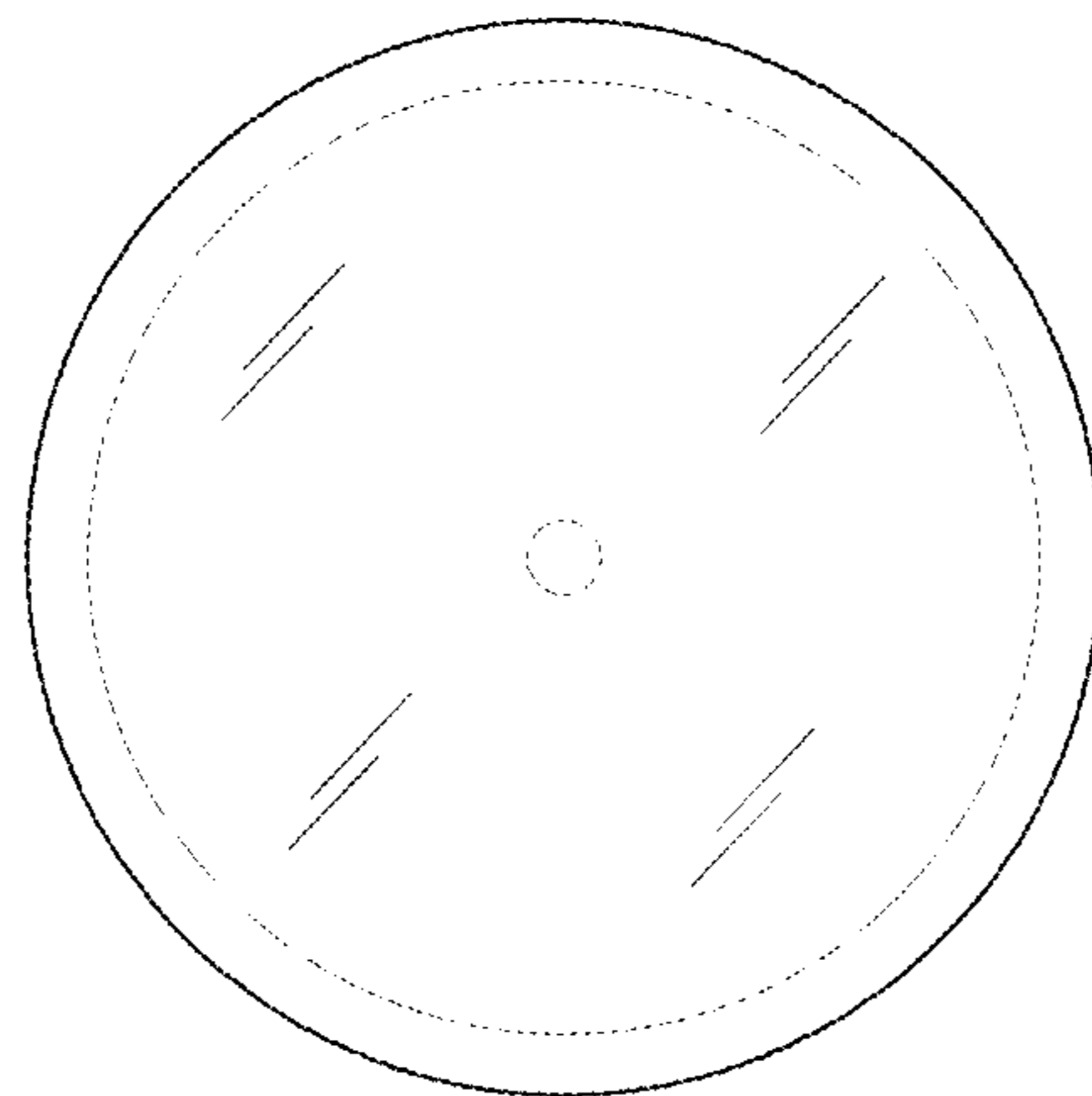


FIG. 8

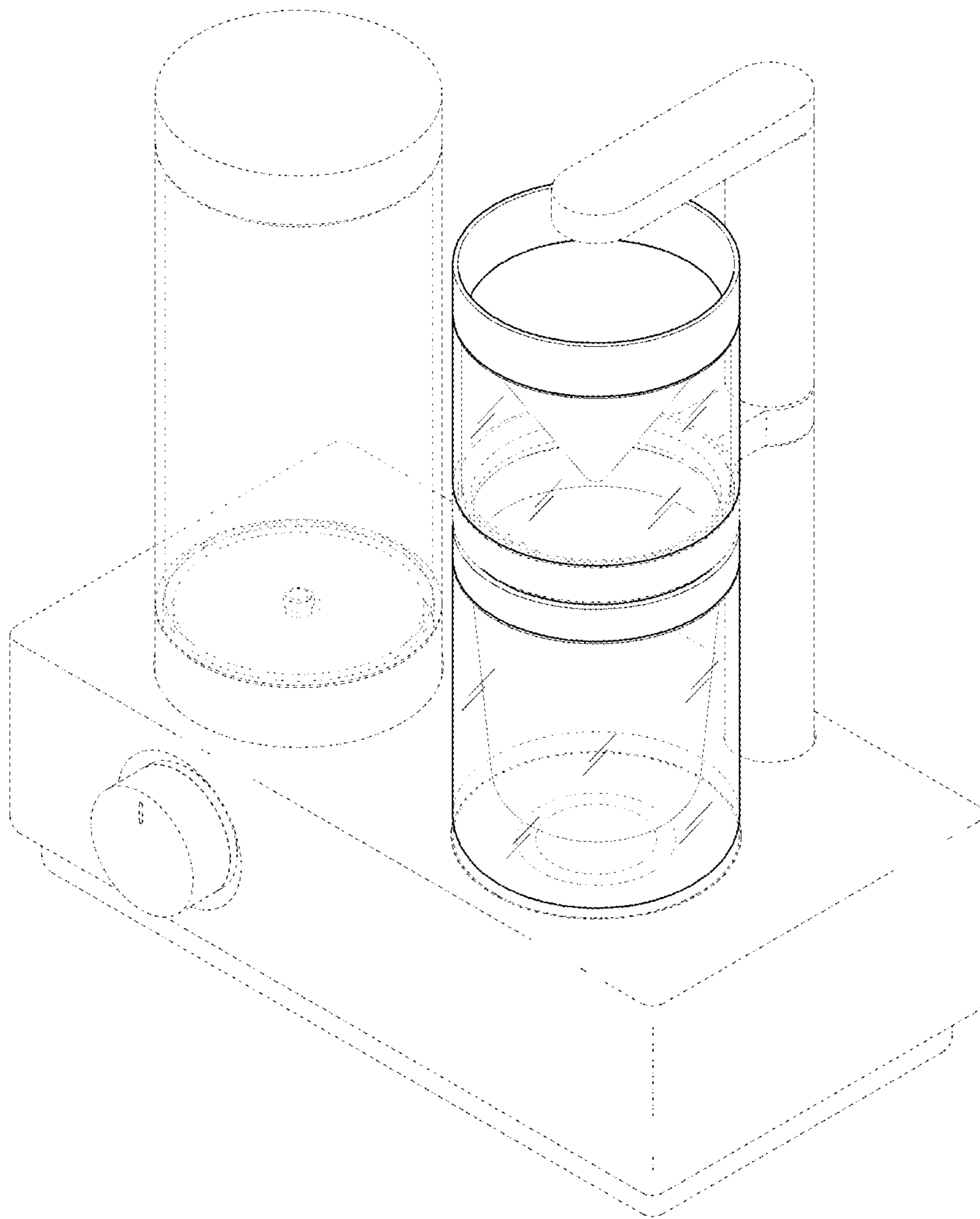


FIG. 9

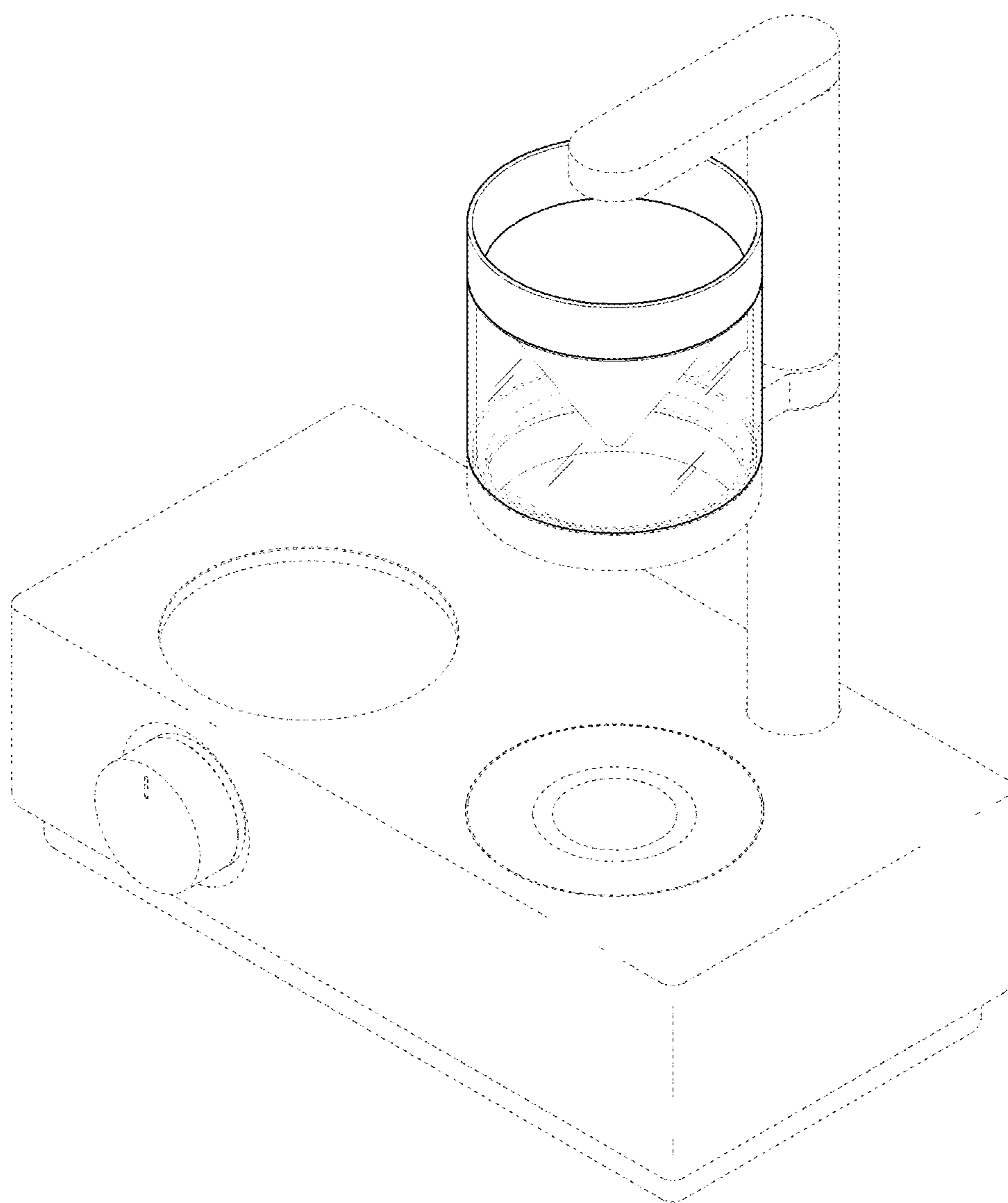


FIG. 10

