



US00D915131S

(12) **United States Design Patent**
Elmasu et al.

(10) **Patent No.:** **US D915,131 S**
(45) **Date of Patent:** **** Apr. 6, 2021**

(54) **COOKWARE**

(71) Applicant: **STMM Inc.**, New York, NY (US)

(72) Inventors: **Celia S. Elmasu**, San Jose, CA (US);
Faris Elmasu, San Jose, CA (US)

(73) Assignee: **STMM INC.**, New York, NY (US)

(**) Term: **15 Years**

(21) Appl. No.: **29/677,055**

(22) Filed: **Jan. 16, 2019**

(51) **LOC (13) Cl.** **07-02**

(52) **U.S. Cl.**

USPC **D7/360**

(58) **Field of Classification Search**

USPC D7/323, 352, 354, 355, 356, 357, 358,
D7/359, 360, 361, 362, 363, 364, 365,
D7/366, 396.1, 402, 409, 410

CPC .. A47J 27/00; A47J 37/00; A47J 37/01; A47J
37/04; A47J 37/06; A47J 37/10; A47J
37/0611; A47J 37/08; A47J 37/0807;
A47J 37/0814; A47J 37/0835; A47J
37/0842; A47J 37/085; A47J 37/0864;
A47J 37/0878; A47J 37/0885; A47J
37/0892; A47J 36/00; A47J 36/02; A47J
36/06; A47J 36/16; A47J 36/24; A47J
36/022; A47J 36/027

See application file for complete search history.

(56) **References Cited**

U.S. PATENT DOCUMENTS

1,970,723 A * 8/1934 Wolfe A47J 36/02
220/573.2
2,151,535 A * 3/1939 Scurlock A47J 37/10
126/390.1
2,541,094 A * 2/1951 Pesenti A47J 37/101
210/239

(Continued)

FOREIGN PATENT DOCUMENTS

JP 2000023839 A * 1/2000
JP 2012024321 A * 2/2012
JP 2016214555 A * 12/2016

OTHER PUBLICATIONS

Great Jones had the startup launch of a lifetime. Now what?,
announced Mar. 21, 2019 [online], retrieved May 6, 2020, retrieved
from internet.*

(Continued)

Primary Examiner — Dana K Weiland

Assistant Examiner — Messina L Smith

(74) *Attorney, Agent, or Firm* — Fross Zelnick Lehrman
& Zissu, P.C.; Charles T. J. Weigell, Esq.

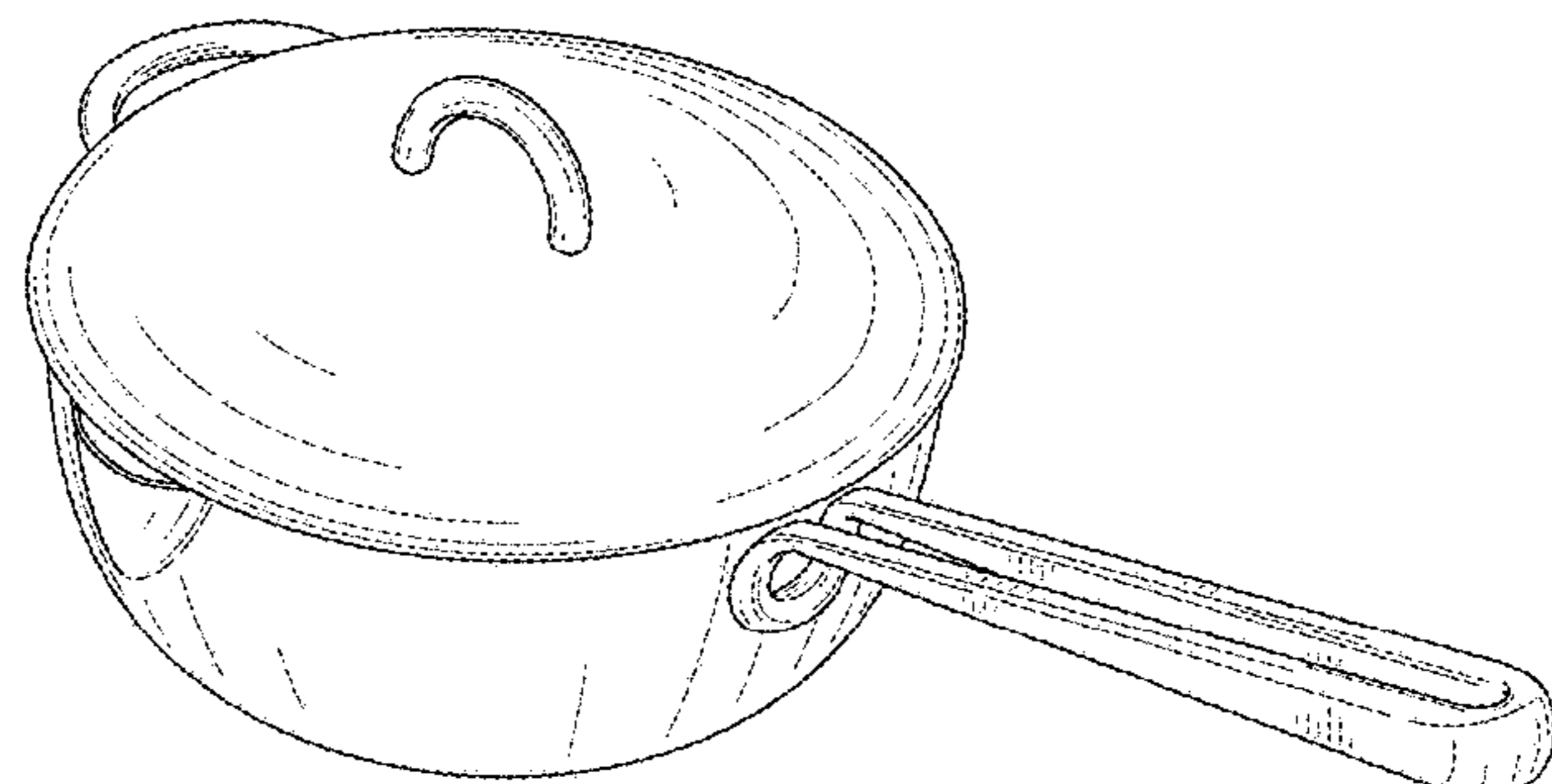
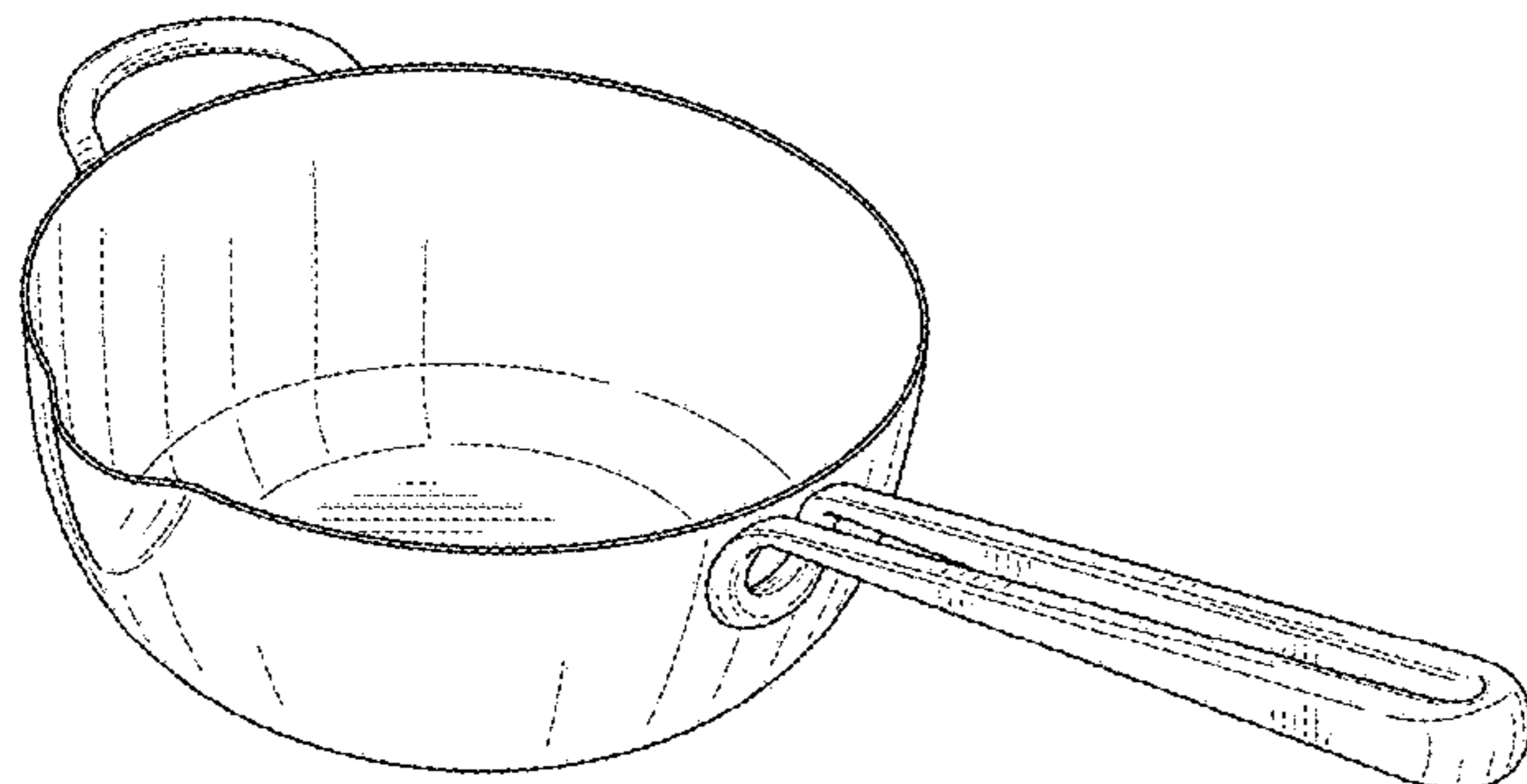
(57) **CLAIM**

The ornamental design for cookware, as shown and
described.

DESCRIPTION

FIG. 1 is a front perspective view of cookware, shown
separately from the lid to show aspects of the design that are
not visible when combined, showing my new design;
FIG. 2 is a front view thereof;
FIG. 3 is a back view thereof;
FIG. 4 is a right side view thereof;
FIG. 5 is a left side view thereof;
FIG. 6 is a top view thereof;
FIG. 7 is a bottom view thereof; and
FIG. 8 is a front perspective view of the cookware;
FIG. 9 is a front perspective view of the lid of the cookware
shown separately to show aspects of the design that are not
visible when combined;
FIG. 10 is a front view thereof;
FIG. 11 is a back view thereof;
FIG. 12 is a right side view thereof;

(Continued)



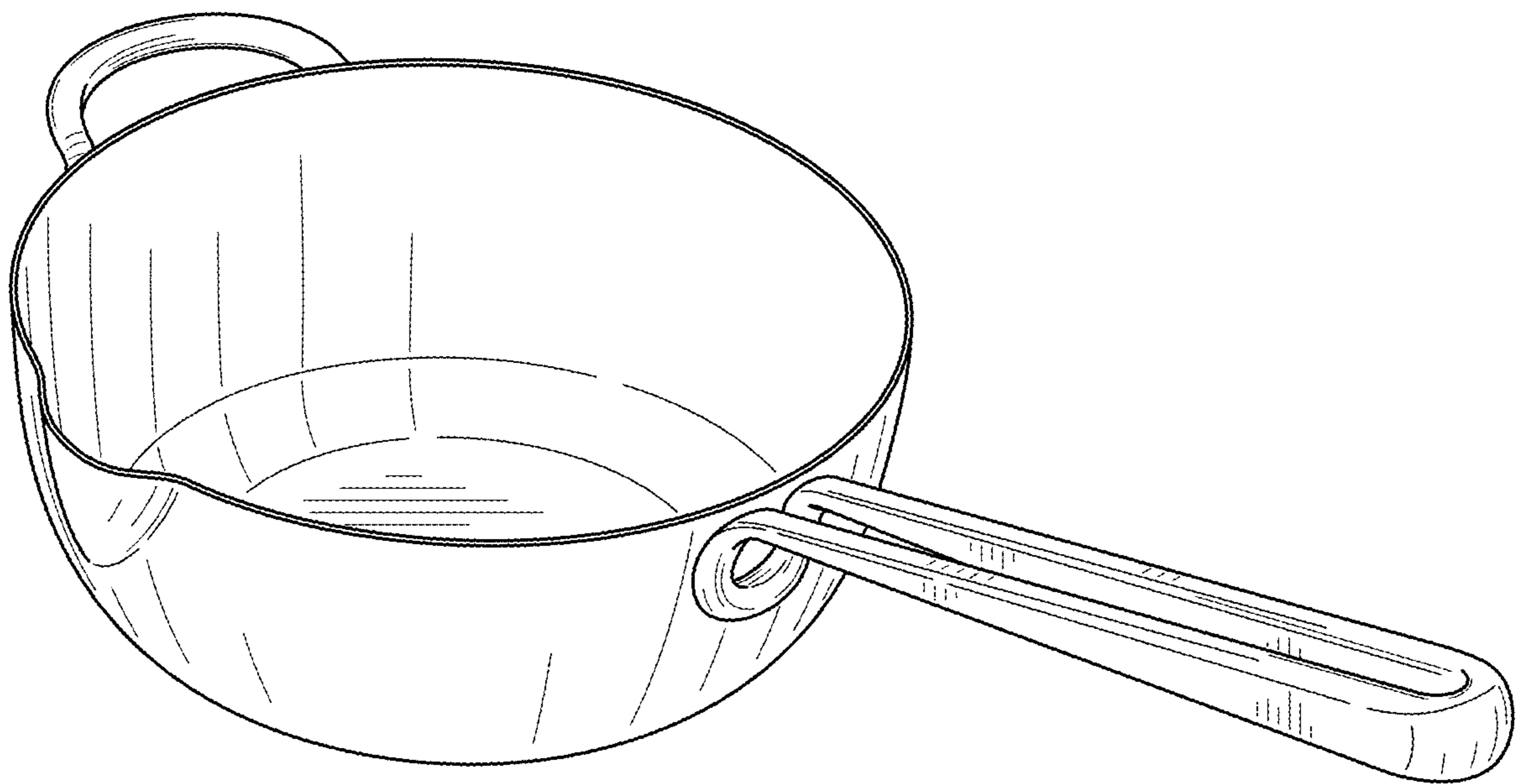


FIG. 1

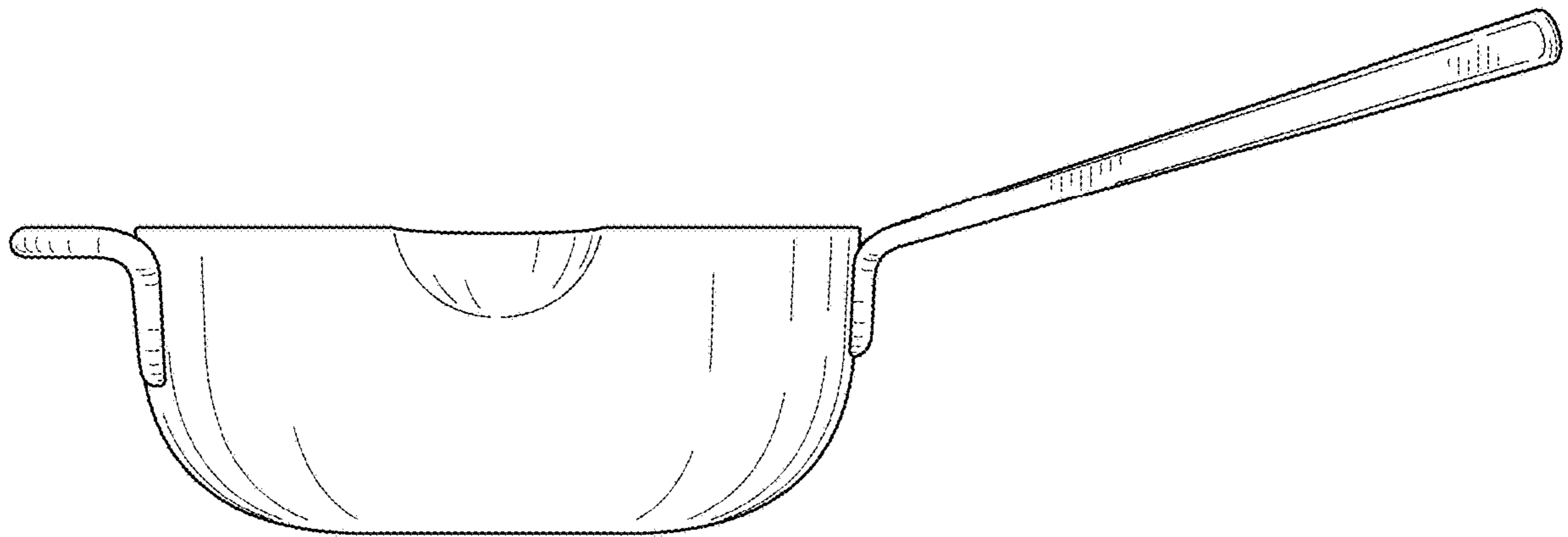


FIG. 2

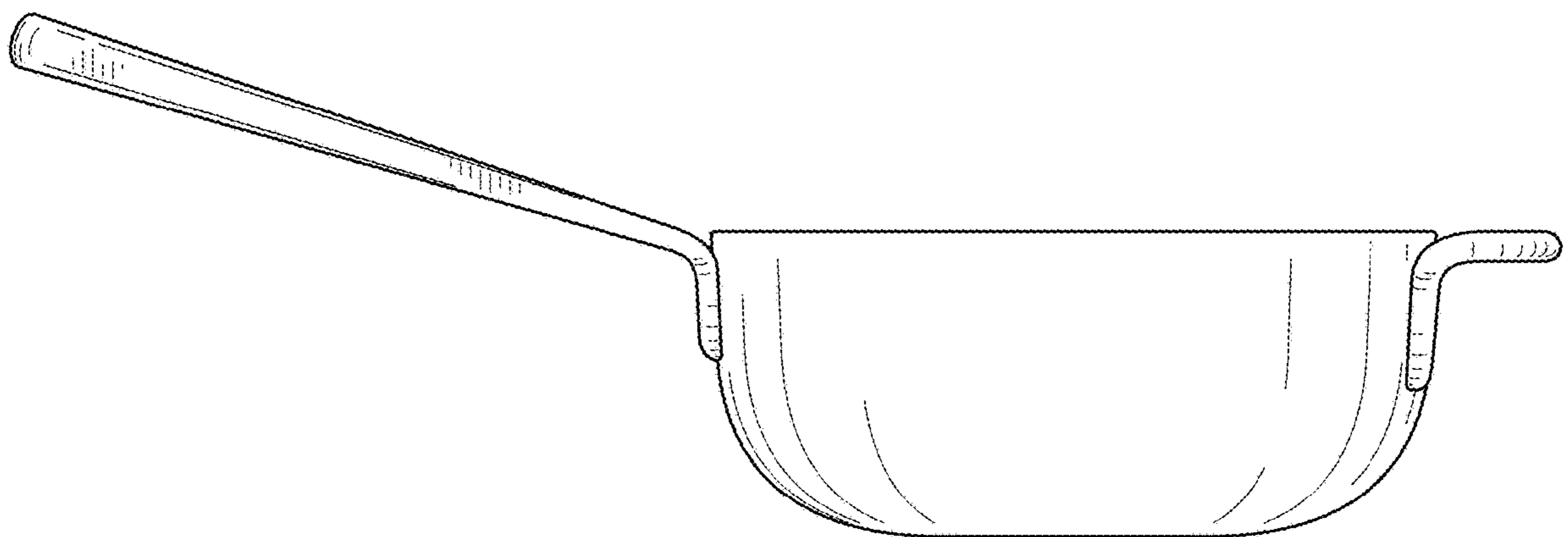


FIG. 3

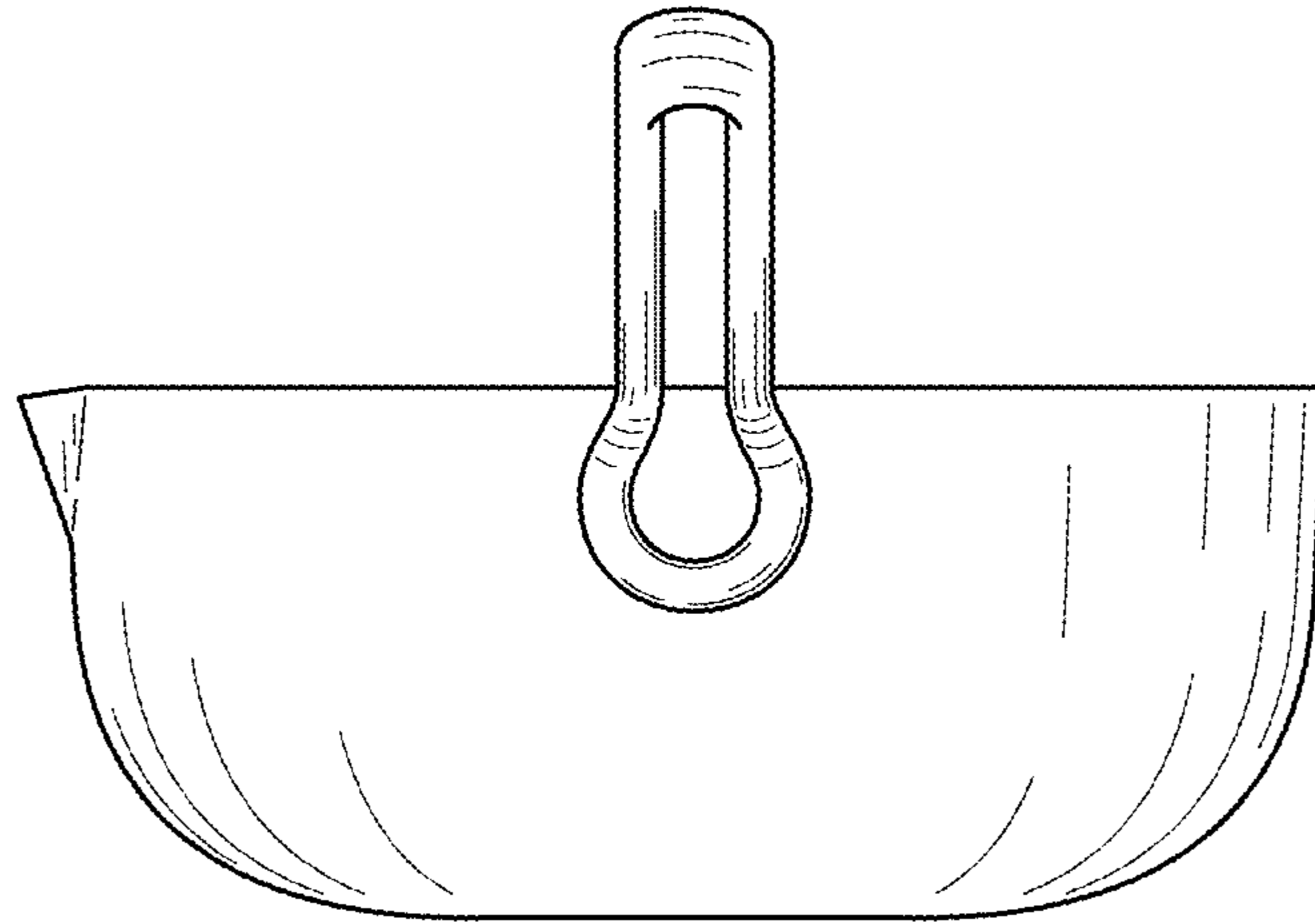


FIG. 4

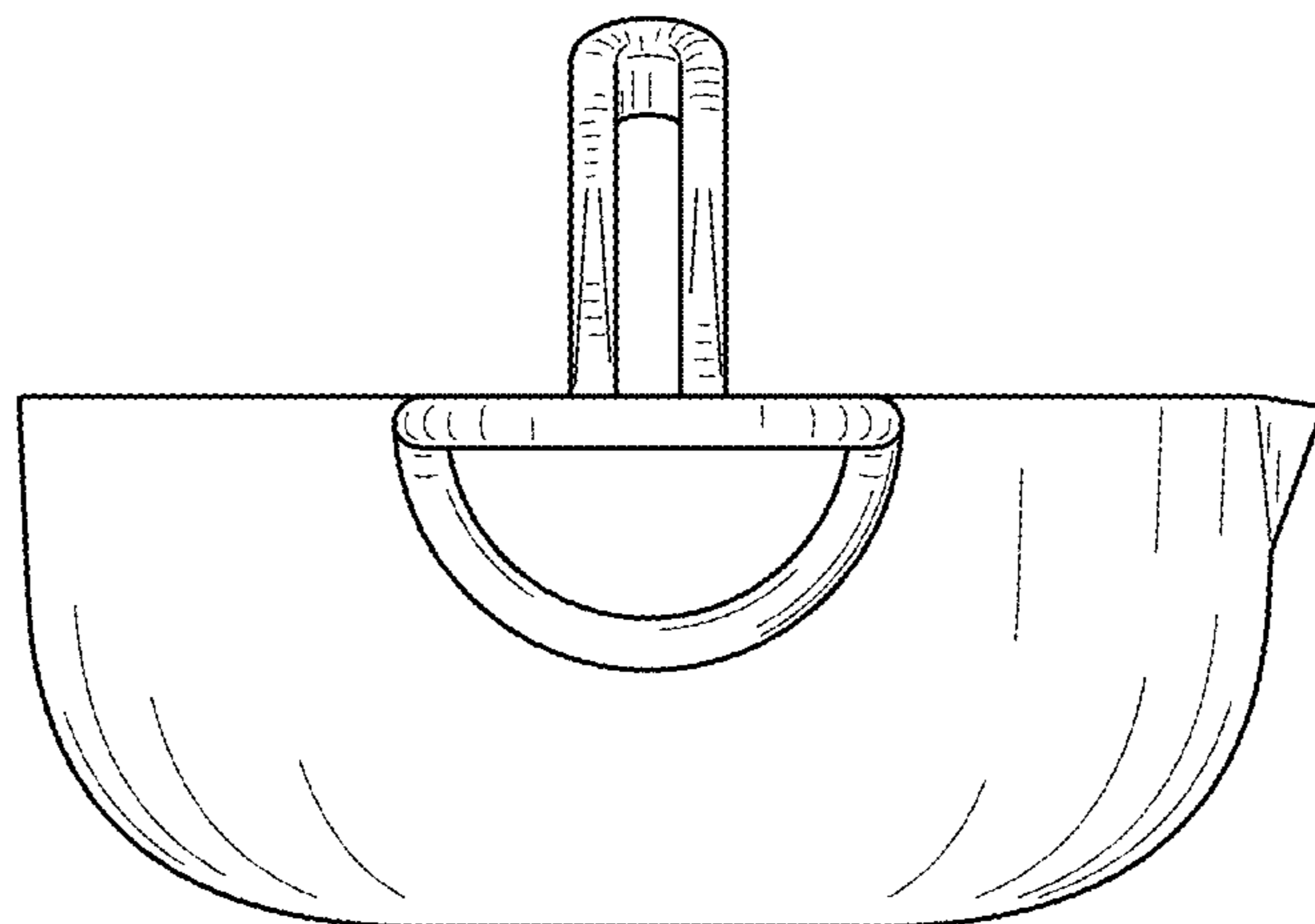


FIG. 5

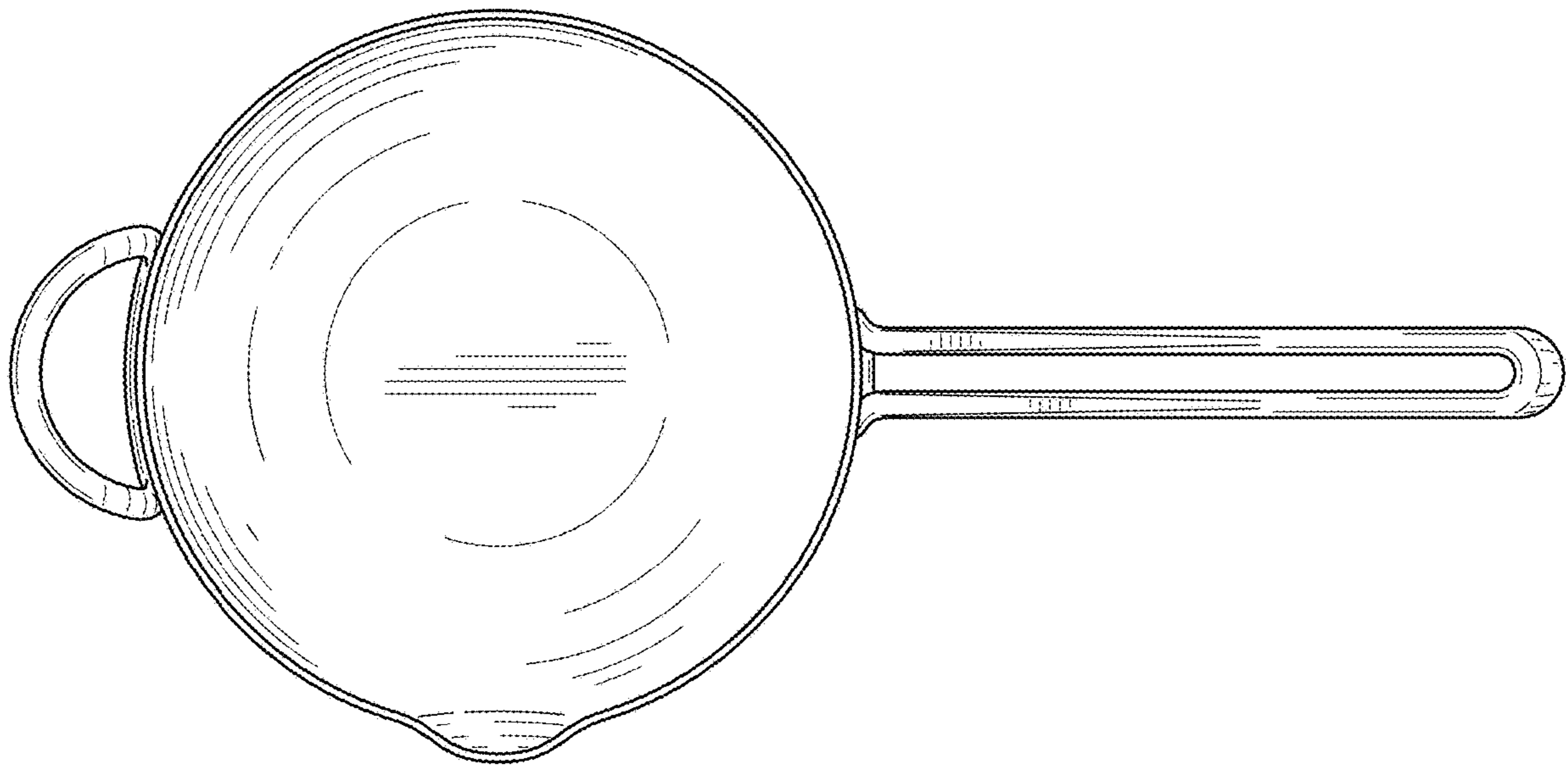


FIG. 6

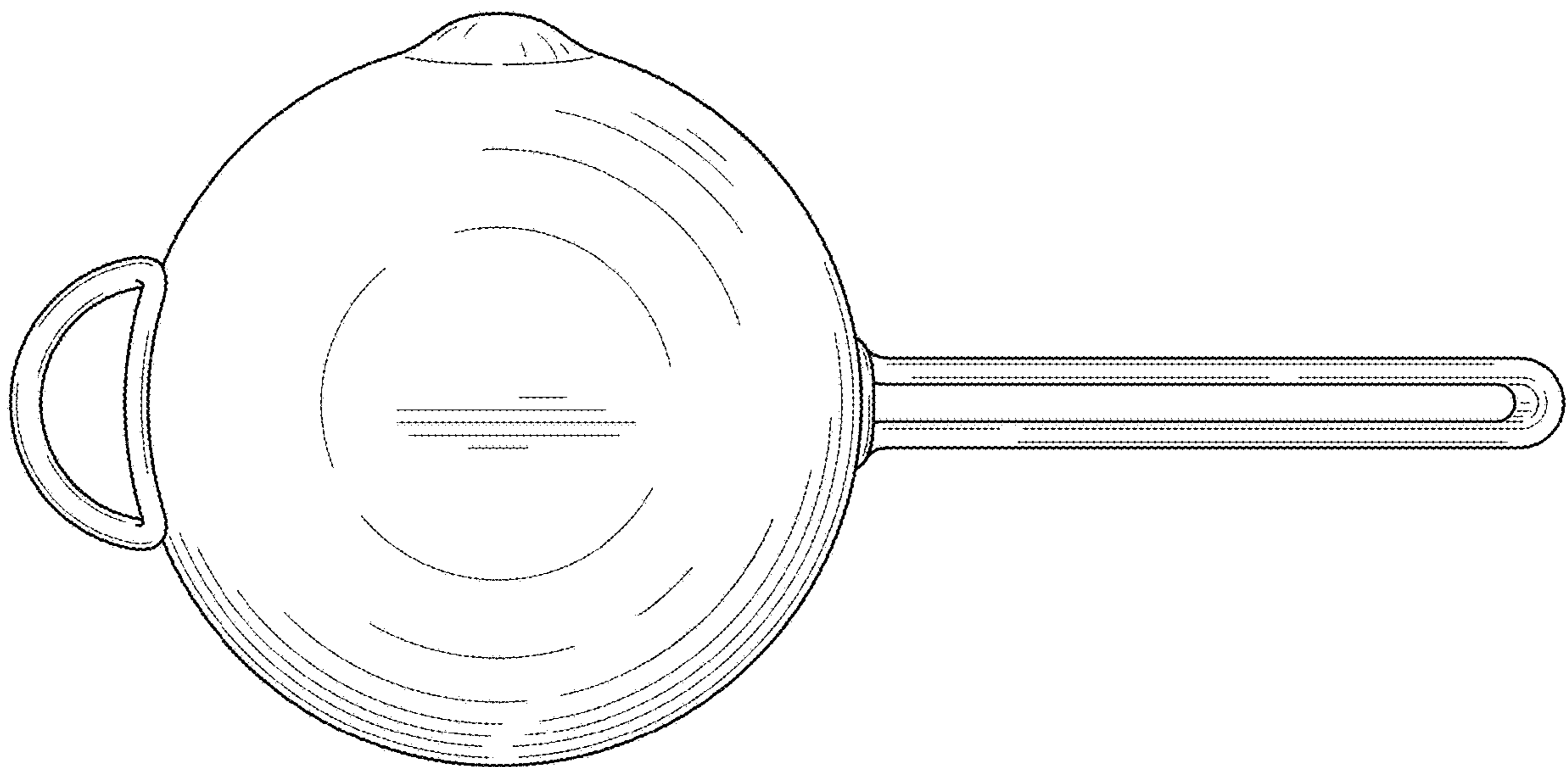


FIG. 7

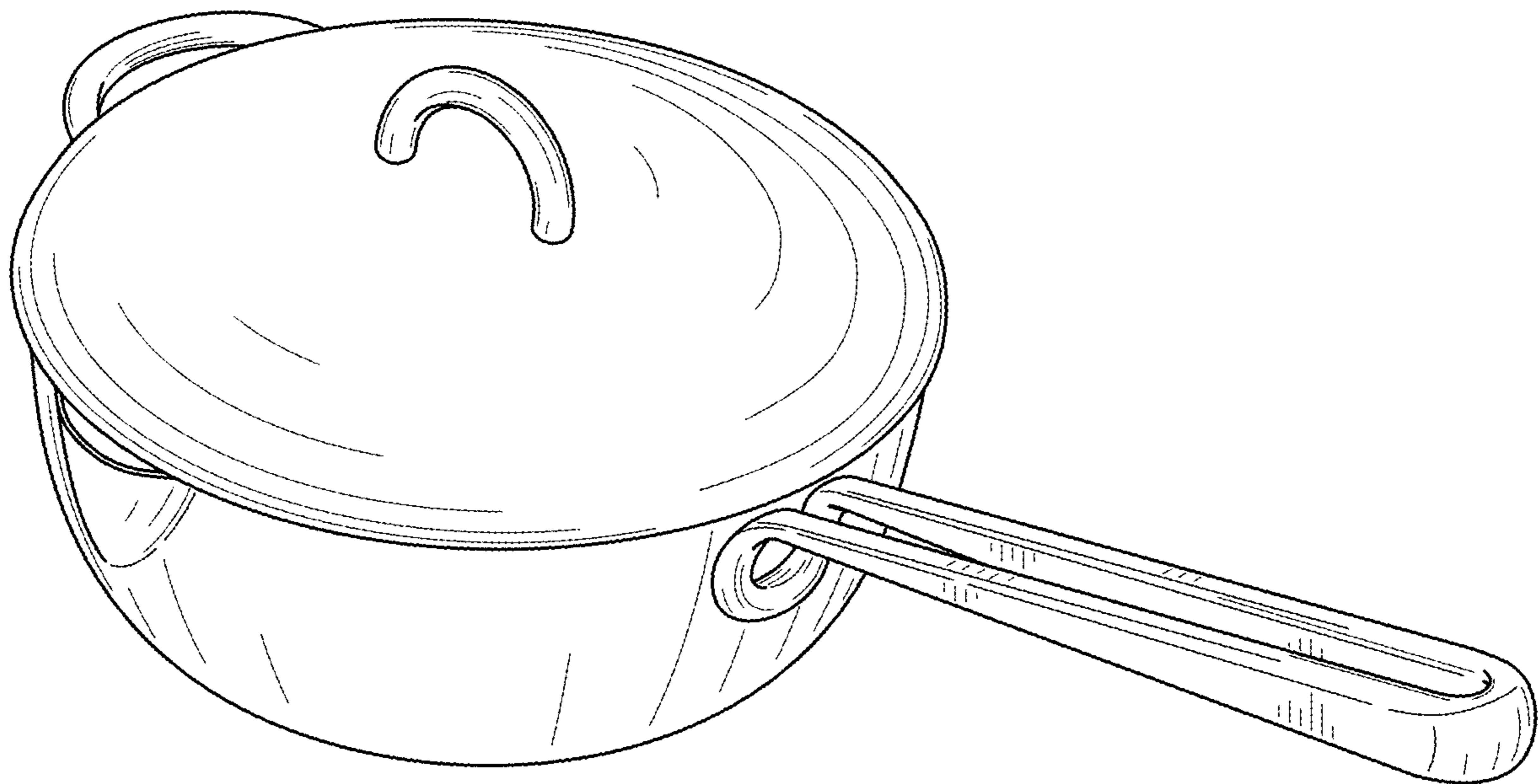


FIG. 8

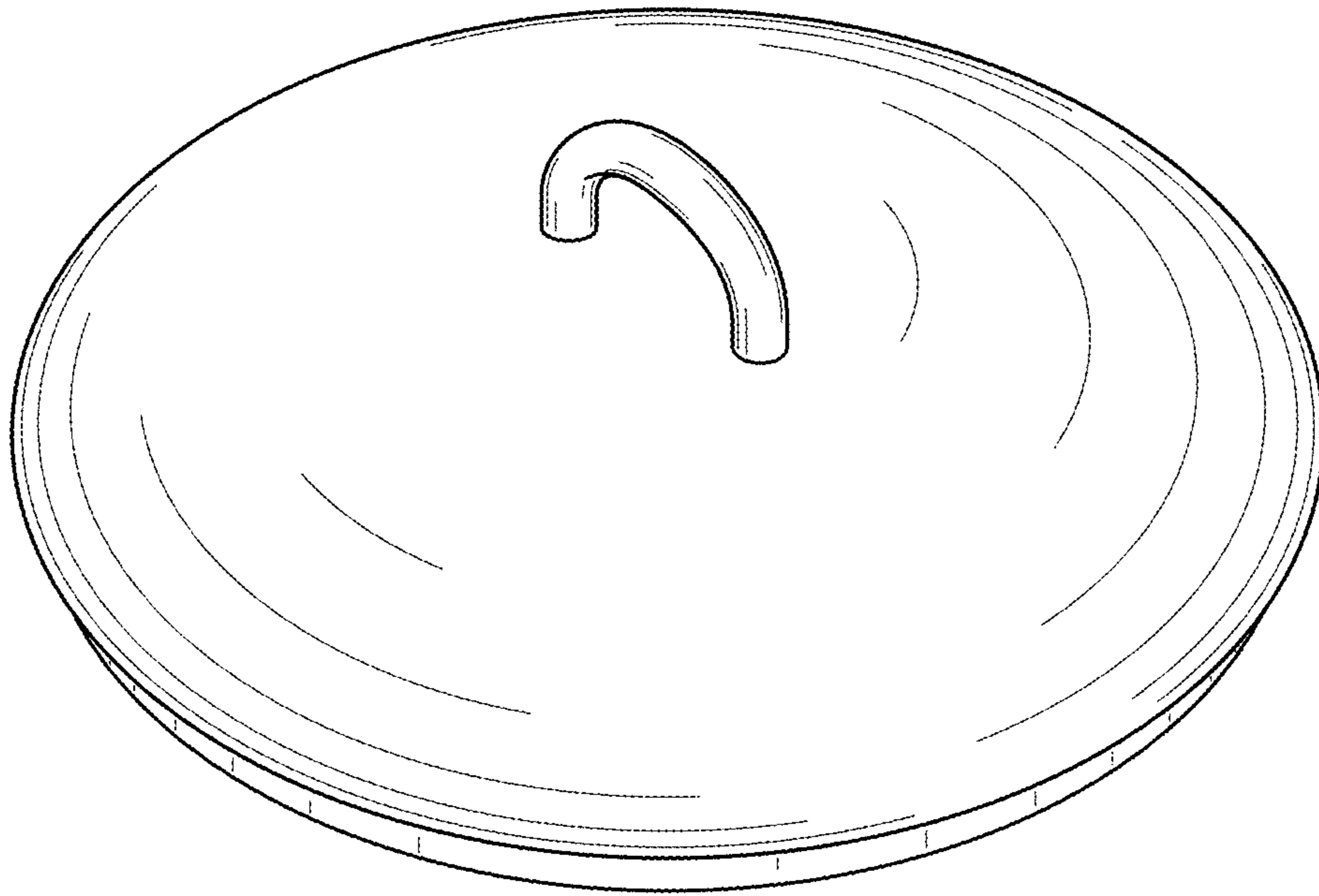


FIG. 9

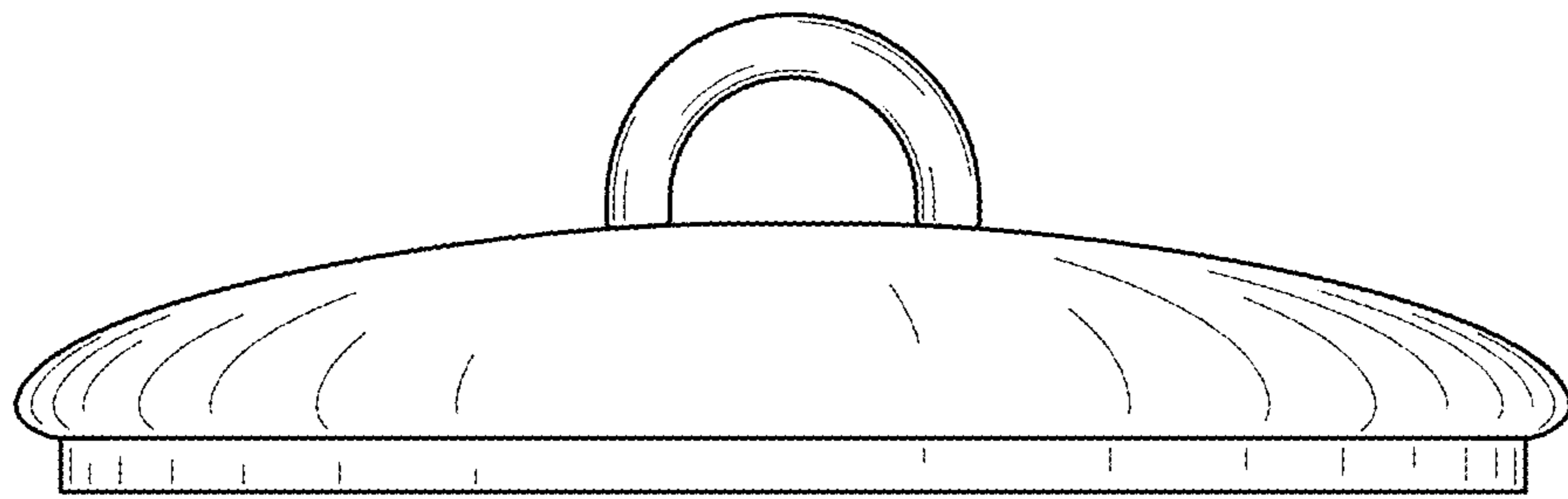


FIG. 10

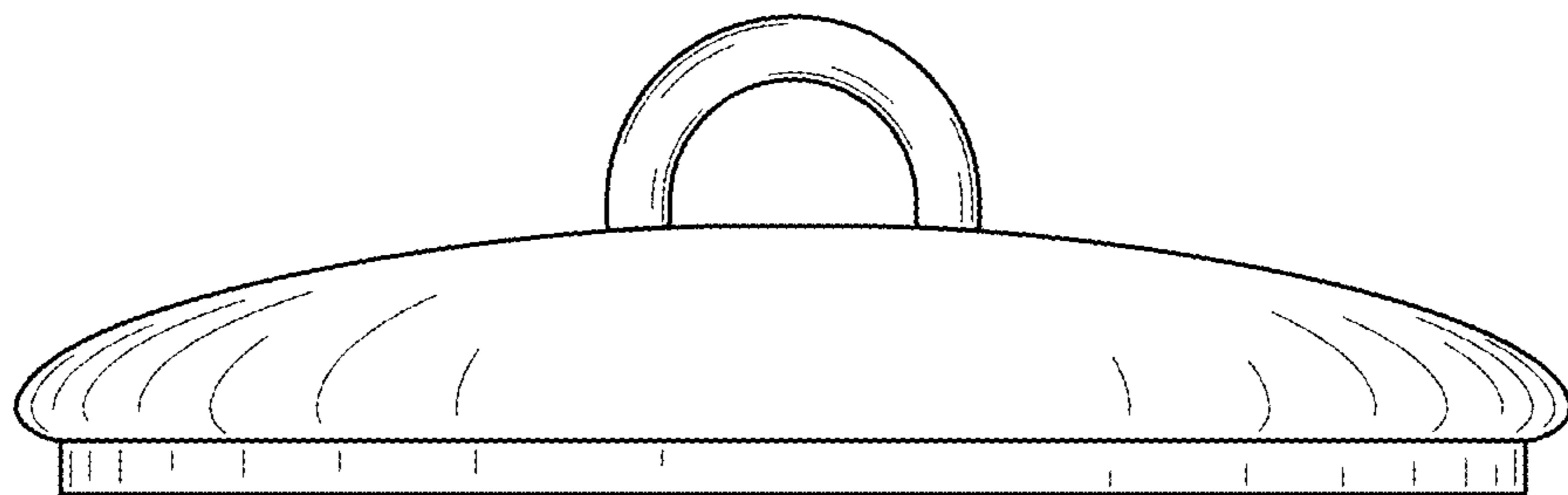


FIG. 11

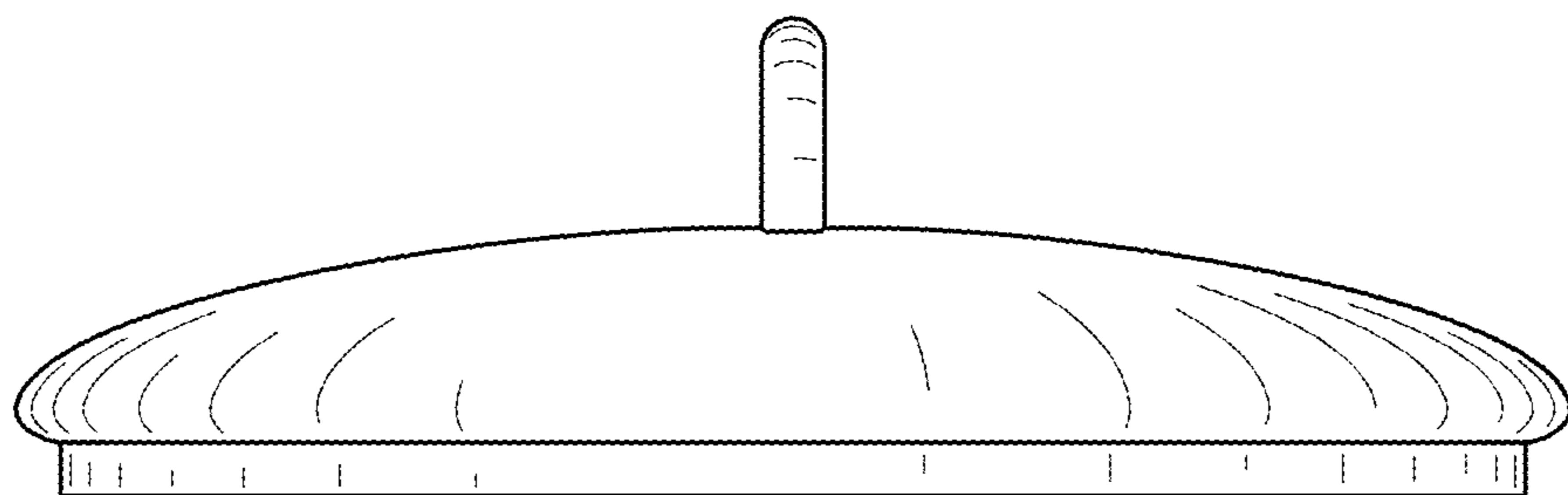


FIG. 12

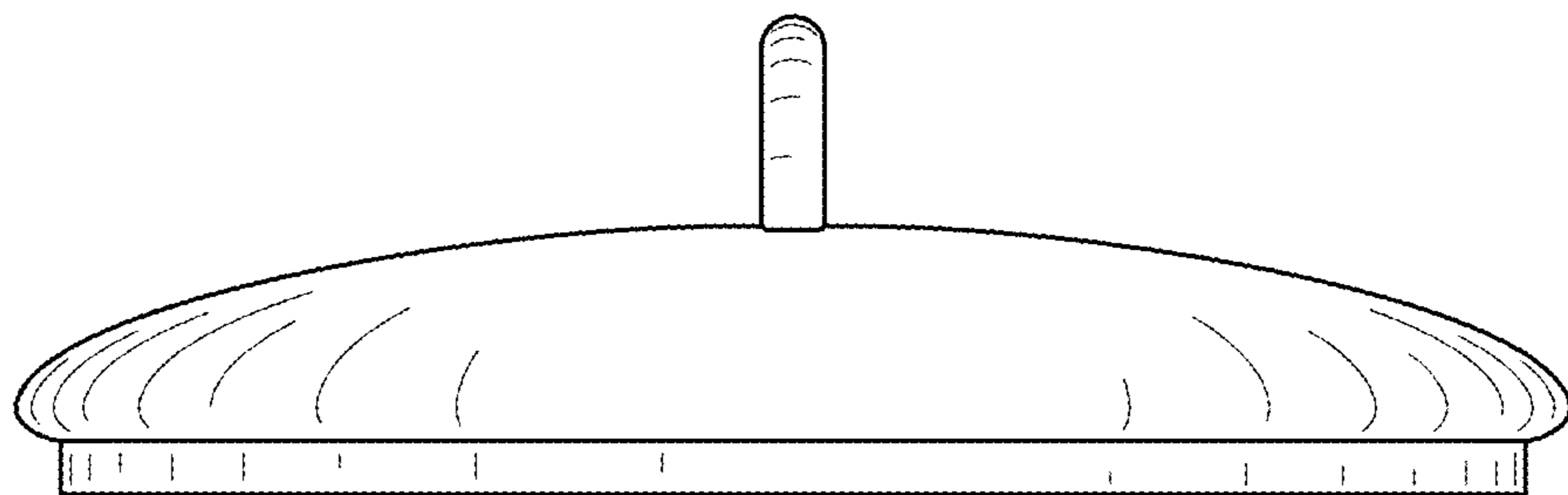


FIG. 13

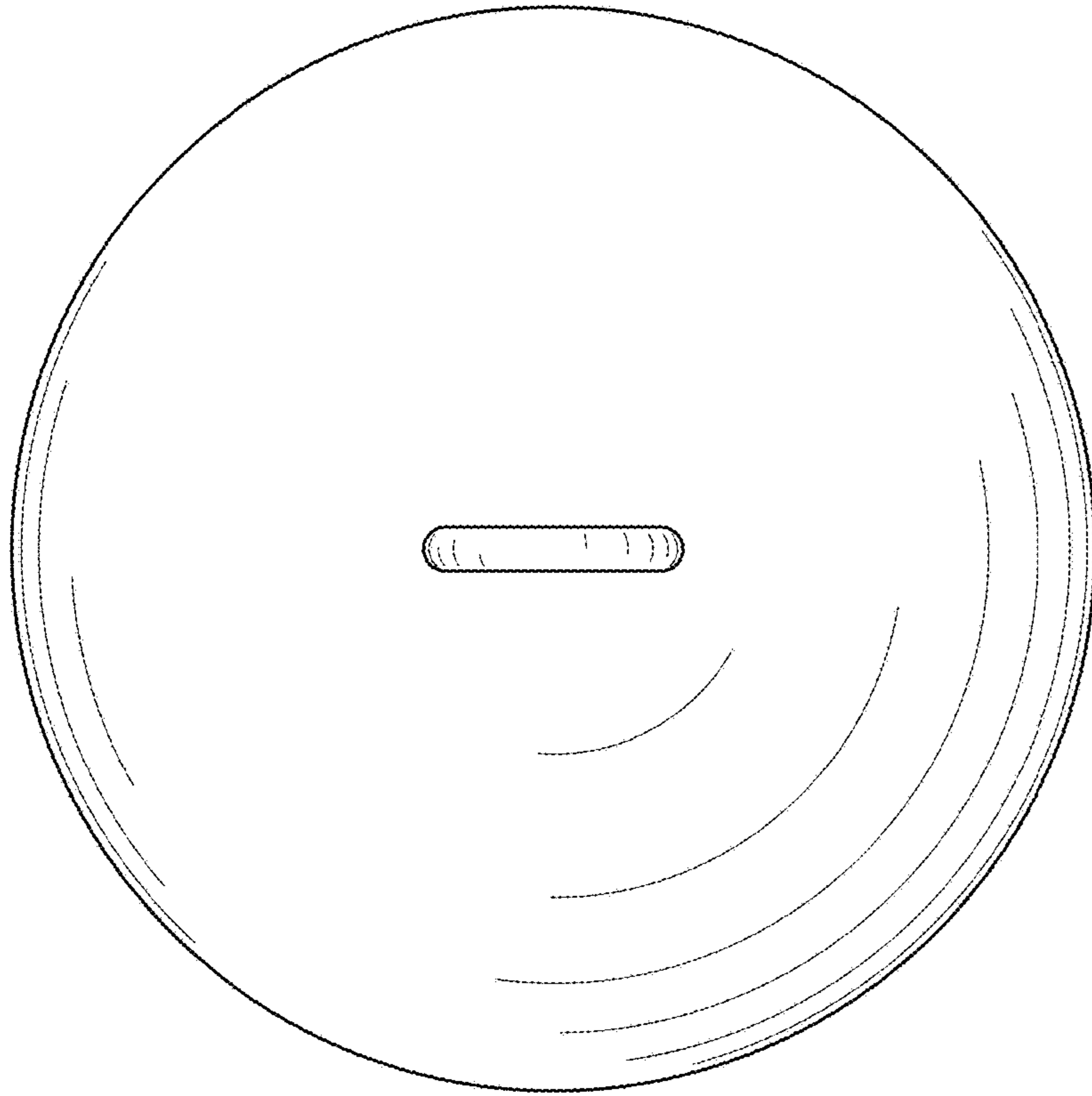


FIG. 14

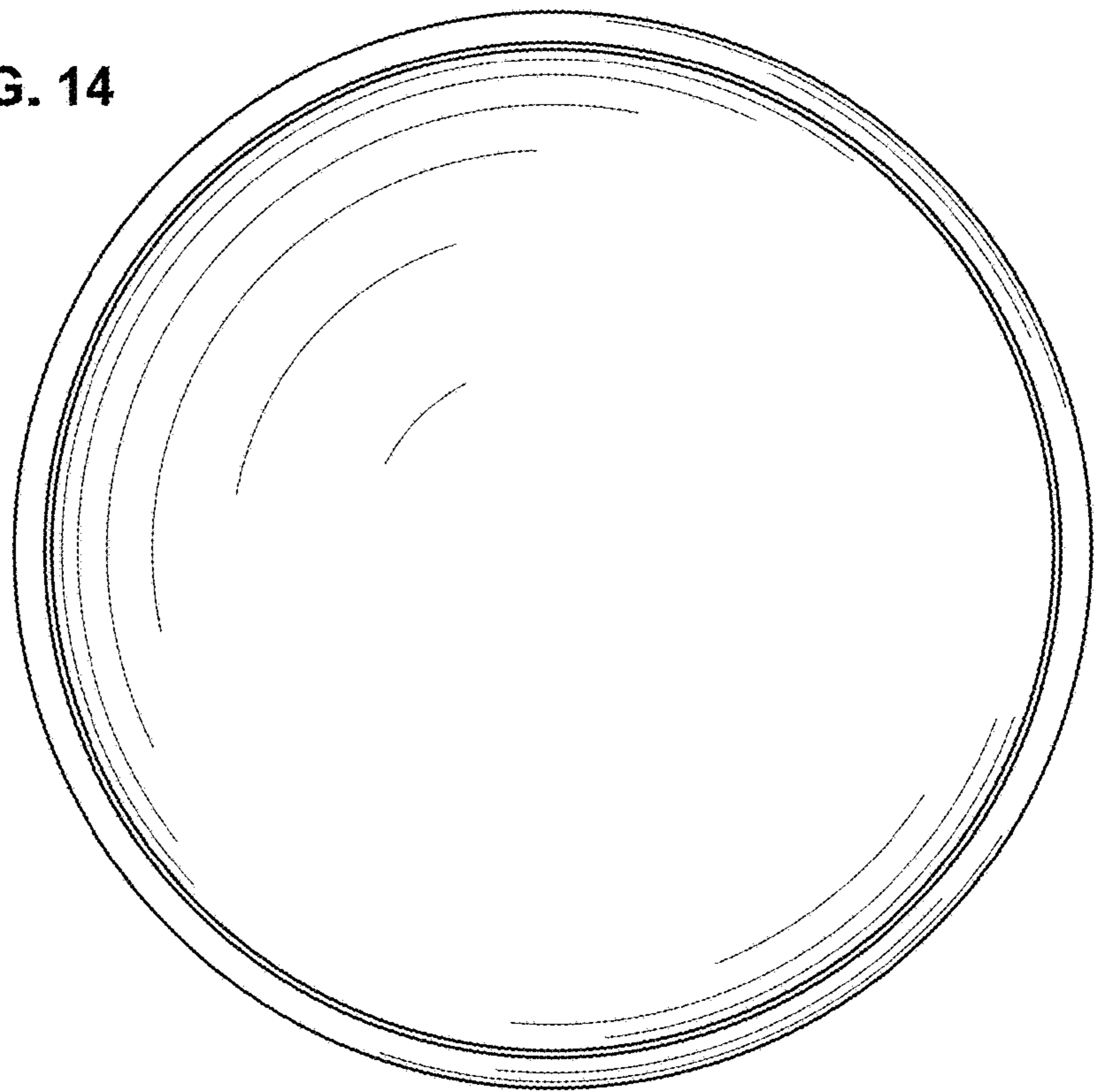


FIG. 15