



US00D915130S

(12) **United States Design Patent**
Elmasu et al.

(10) **Patent No.:** **US D915,130 S**
(45) **Date of Patent:** **** Apr. 6, 2021**

(54) **COOKWARE**

(71) Applicant: **STMM Inc.**, New York, NY (US)

(72) Inventors: **Celia S. Elmasu**, San Jose, CA (US);
Faris Elmasu, San Jose, CA (US)

(73) Assignee: **STMM INC.**, New York, NY (US)

(**) Term: **15 Years**

(21) Appl. No.: **29/677,054**

(22) Filed: **Jan. 16, 2019**

(51) **LOC (13) Cl.** **07-02**

(52) **U.S. Cl.**
USPC **D7/360**

(58) **Field of Classification Search**
USPC D7/323, 352, 354, 355, 356, 357, 358,
D7/359, 360, 361, 362, 363, 364, 365,
D7/366, 396.1, 402, 409, 410
CPC .. A47J 27/00; A47J 37/00; A47J 37/01; A47J
37/04; A47J 37/06; A47J 37/10; A47J
37/0611; A47J 37/08; A47J 37/0807;
A47J 37/0814; A47J 37/0835; A47J
37/0842; A47J 37/085; A47J 37/0864;
A47J 37/0878; A47J 37/0885; A47J
37/0892; A47J 36/00; A47J 36/02; A47J
36/06; A47J 36/16; A47J 36/24; A47J
36/022; A47J 36/027
See application file for complete search history.

(56) **References Cited**

U.S. PATENT DOCUMENTS

1,727,075 A * 9/1929 McGarvey A47J 27/002
220/801
2,518,483 A * 8/1950 Mapes A47J 36/02
72/47
D368,828 S * 4/1996 Thurlow D7/360
5,515,990 A * 5/1996 Popeil A47J 37/129
220/23.86

(Continued)

FOREIGN PATENT DOCUMENTS

EP 743036 A1 * 5/1996

OTHER PUBLICATIONS

Great Jones had the startup launch of a lifetime. Now what?,
announced Mar. 21, 2019 [online], retrieved May 6, 2020, retrieved
from internet, <https://newconsumer.com/2019/03/great-jones-had-the-startup-launch-of-a-lifetime-now-what/>.*

(Continued)

Primary Examiner — Dana K Weiland

Assistant Examiner — Messina L Smith

(74) *Attorney, Agent, or Firm* — Fross Zelnick Lehrman
& Zissu, P.C.; Charles T.J. Weigell, Esq.

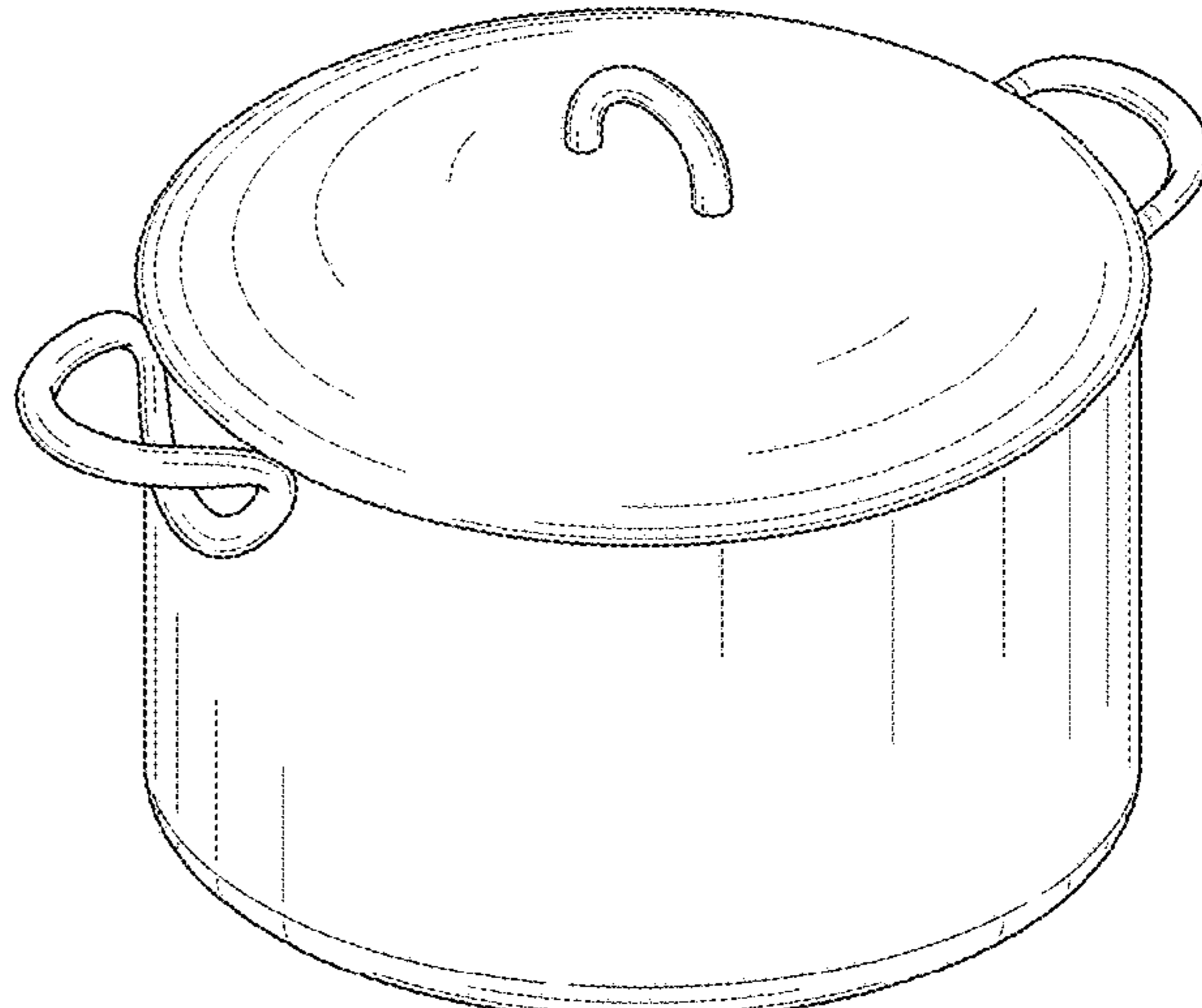
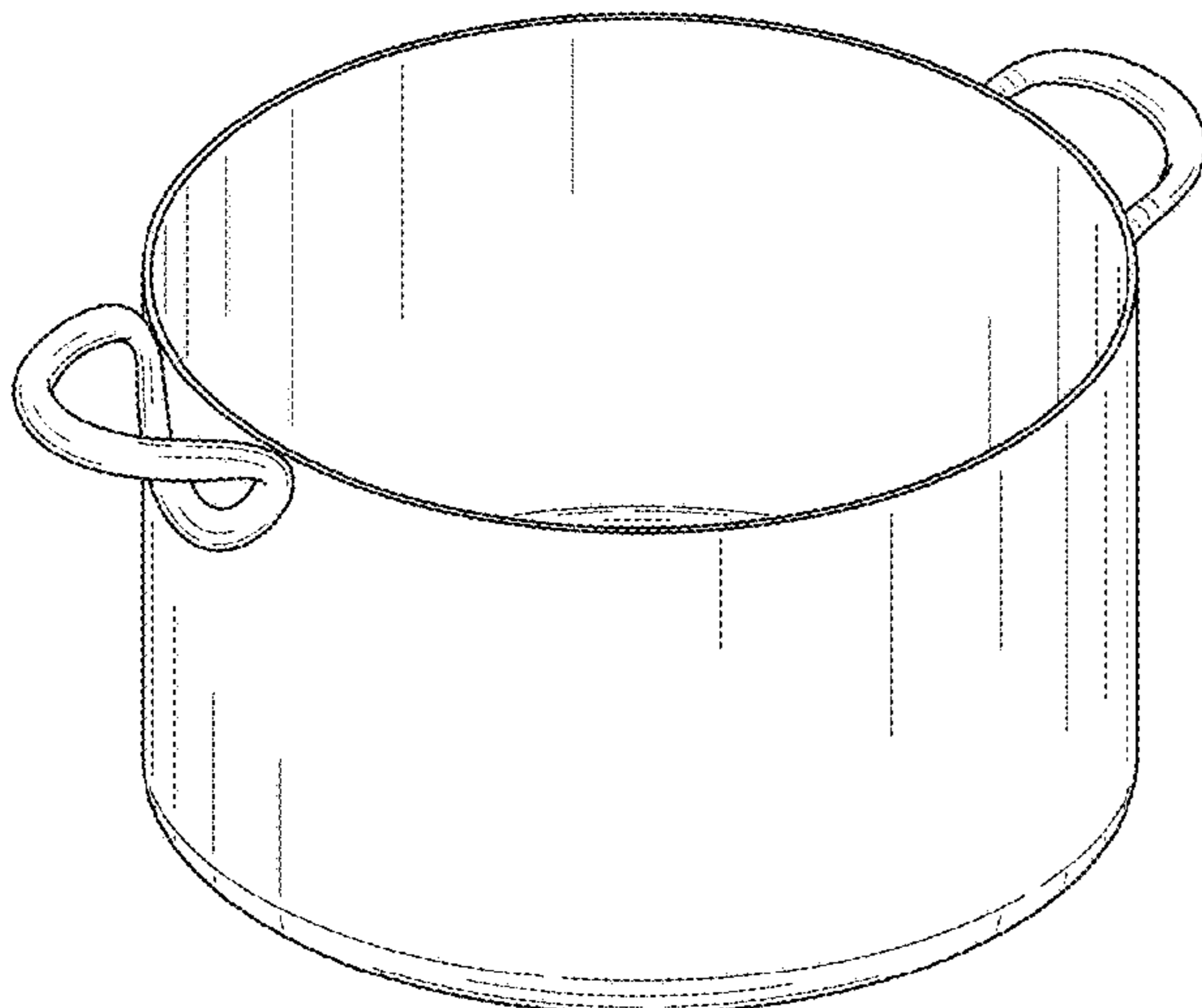
(57) **CLAIM**

The ornamental design for cookware, as shown and
described.

DESCRIPTION

FIG. 1 is a front perspective view of cookware, shown
separately from the lid to show aspects of the design that are
not visible when combined, showing my new design;
FIG. 2 is a front view thereof;
FIG. 3 is a back view thereof;
FIG. 4 is a right side view thereof;
FIG. 5 is a left side view thereof;
FIG. 6 is a top view thereof;
FIG. 7 is a bottom view thereof; and
FIG. 8 is a front perspective view of the cookware;
FIG. 9 is a front perspective view of the lid of the cookware
shown separately to show aspects of the design that are not
visible when combined;
FIG. 10 is a front view thereof;
FIG. 11 is a back view thereof;
FIG. 12 is a right side view thereof;
FIG. 13 is a left side view thereof;
FIG. 14 is a top view thereof; and,
FIG. 15 is a bottom view thereof.

1 Claim, 8 Drawing Sheets



(56)

References Cited

U.S. PATENT DOCUMENTS

D469,301 S * 1/2003 Ryan D7/360
 D503,070 S * 3/2005 Cheng D7/394
 D568,677 S * 5/2008 Stattmann D7/360
 D568,678 S * 5/2008 Stattmann D7/360
 D572,969 S * 7/2008 Beyeler D7/360
 D618,491 S * 6/2010 Welk D7/354
 D639,602 S * 6/2011 Bodum D7/354
 D643,681 S * 8/2011 Bodum D7/395
 D667,258 S * 9/2012 Dodane D7/354
 D687,257 S * 8/2013 DiFante D7/354
 D696,899 S * 1/2014 Rae D7/354
 D720,177 S * 12/2014 Genatossio D7/354
 D731,232 S * 6/2015 Verkaik D7/354
 D755,559 S * 5/2016 Gabbay D7/354
 D756,162 S * 5/2016 Gabbay D7/354
 D758,128 S * 6/2016 McConnell D7/394
 9,706,878 B1 * 7/2017 Campbell B01F 7/00941
 D794,380 S * 8/2017 Rodriguez D7/360
 D804,891 S * 12/2017 Mirchandani D7/360
 D829,489 S * 10/2018 Khubani D7/358
 D843,774 S * 3/2019 Lam D7/354
 D880,221 S * 4/2020 Hollinger D7/360
 2003/0121921 A1 * 7/2003 Burton B65D 51/1605
 220/366.1

2004/0216620 A1 * 11/2004 Quiggins A47J 36/08
 99/413
 2006/0117962 A1 * 6/2006 Hoekstra A47J 36/16
 99/403
 2009/0321446 A1 * 12/2009 Cheung A47J 45/062
 220/212.5
 2012/0118896 A1 * 5/2012 Lei A47J 36/36
 220/573.1
 2012/0175374 A1 * 7/2012 Cheng A47J 45/068
 220/573.1
 2015/0196153 A1 * 7/2015 Sykes A47J 36/20
 210/256
 2015/0196157 A1 * 7/2015 Swirth A47J 47/08
 220/573.1
 2018/0263411 A1 * 9/2018 Stuart A47J 37/0786

OTHER PUBLICATIONS

Great Jones, announced Nov. 24, 2018 [online], retrieved May 6, 2020, retrieved from internet, <https://twitter.com/GreatJones/status/1066345257376366593>.
 Big Deal, announced Aug. 26, 2019 [online], retrieved May 6, 2020, retrieved from internet, <https://greatjonesgoods.com/products/big-deal>.
 *

* cited by examiner

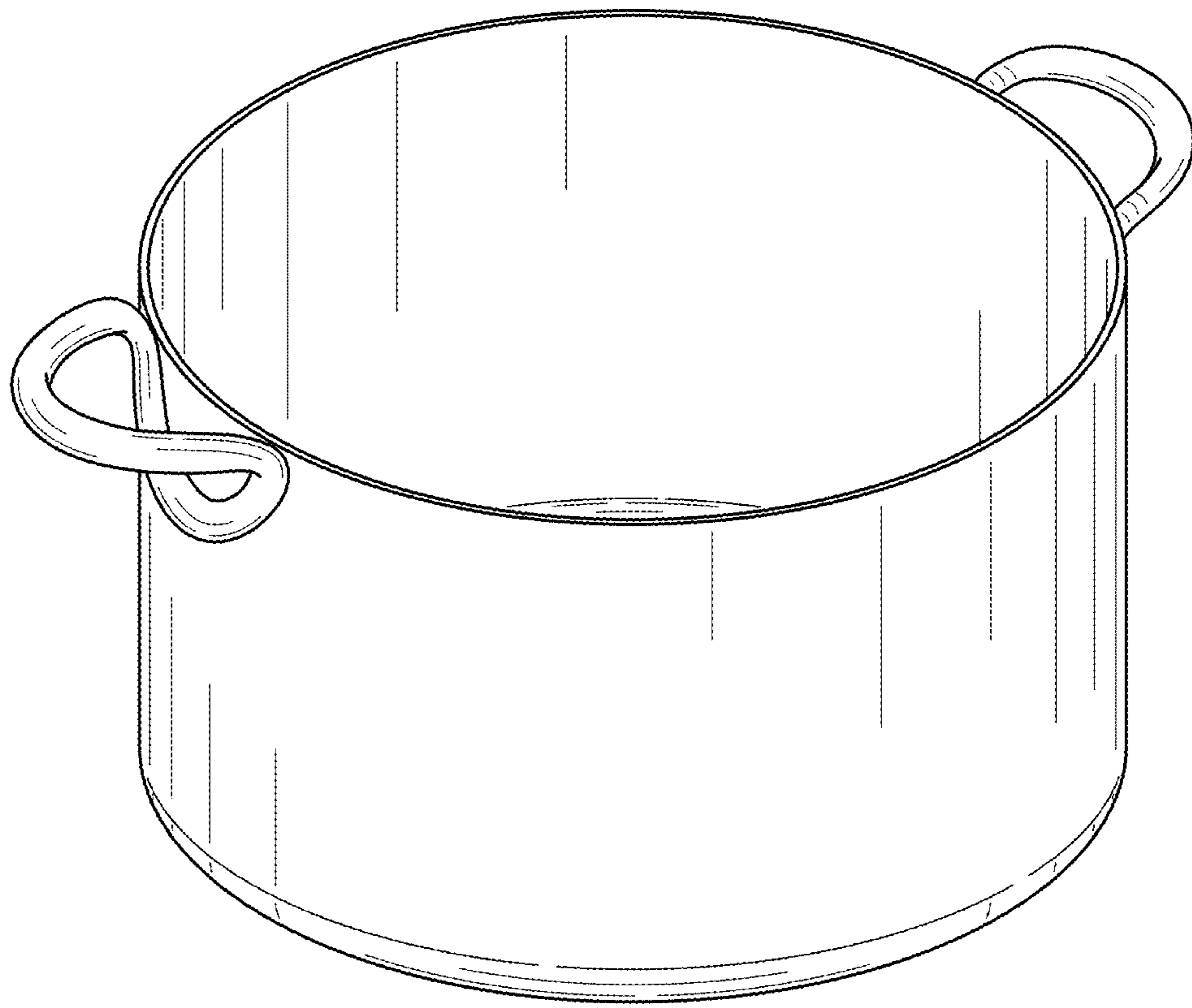


FIG. 1

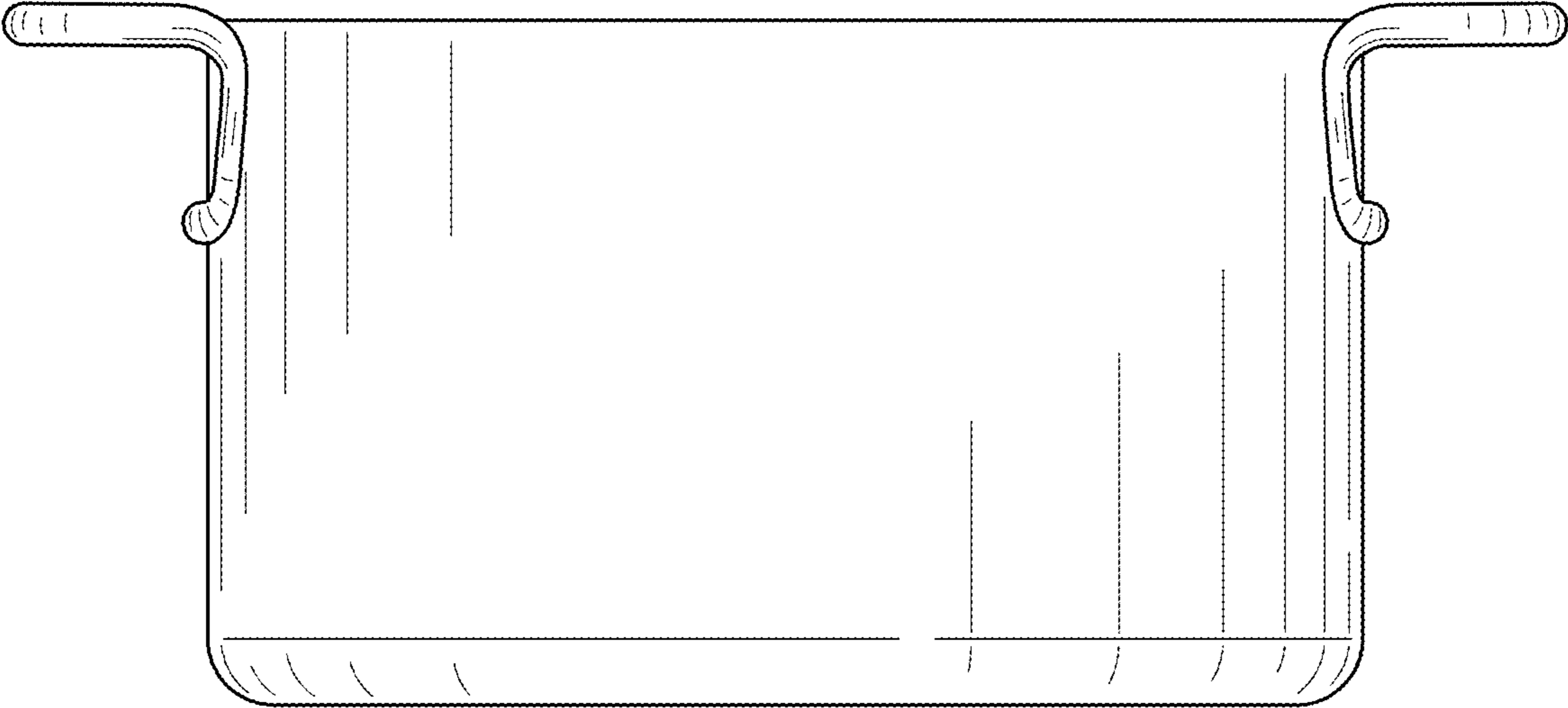


FIG. 2

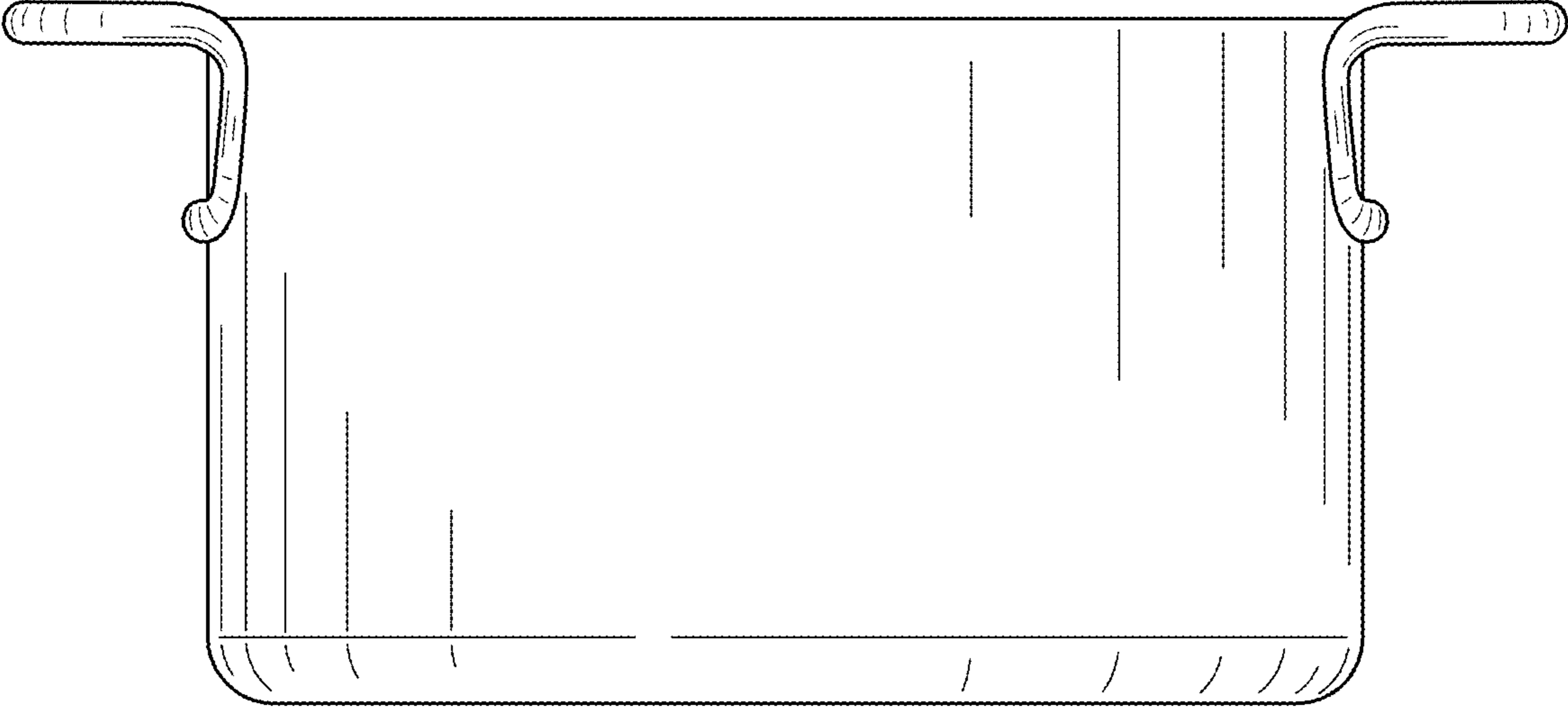


FIG. 3

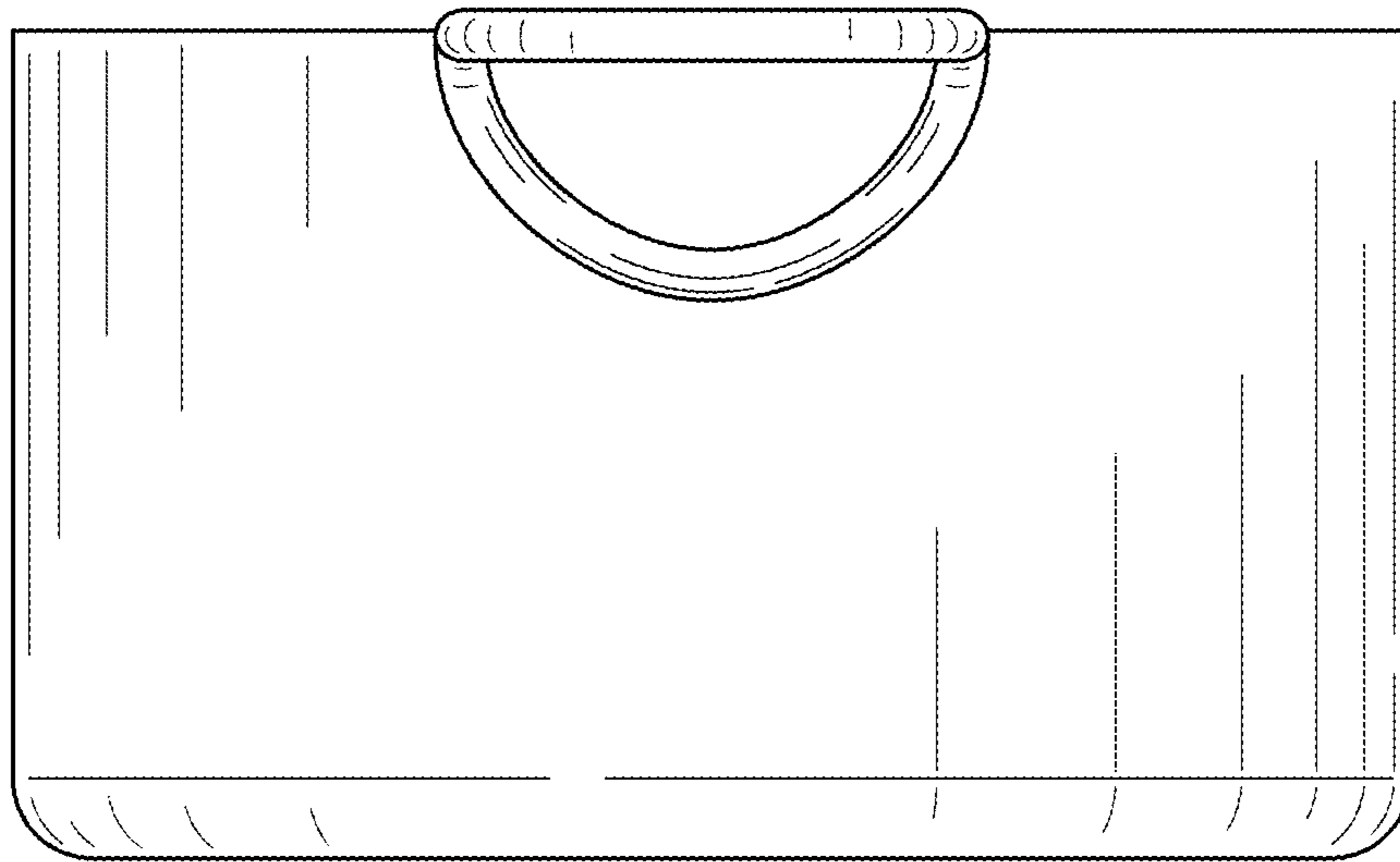


FIG. 4

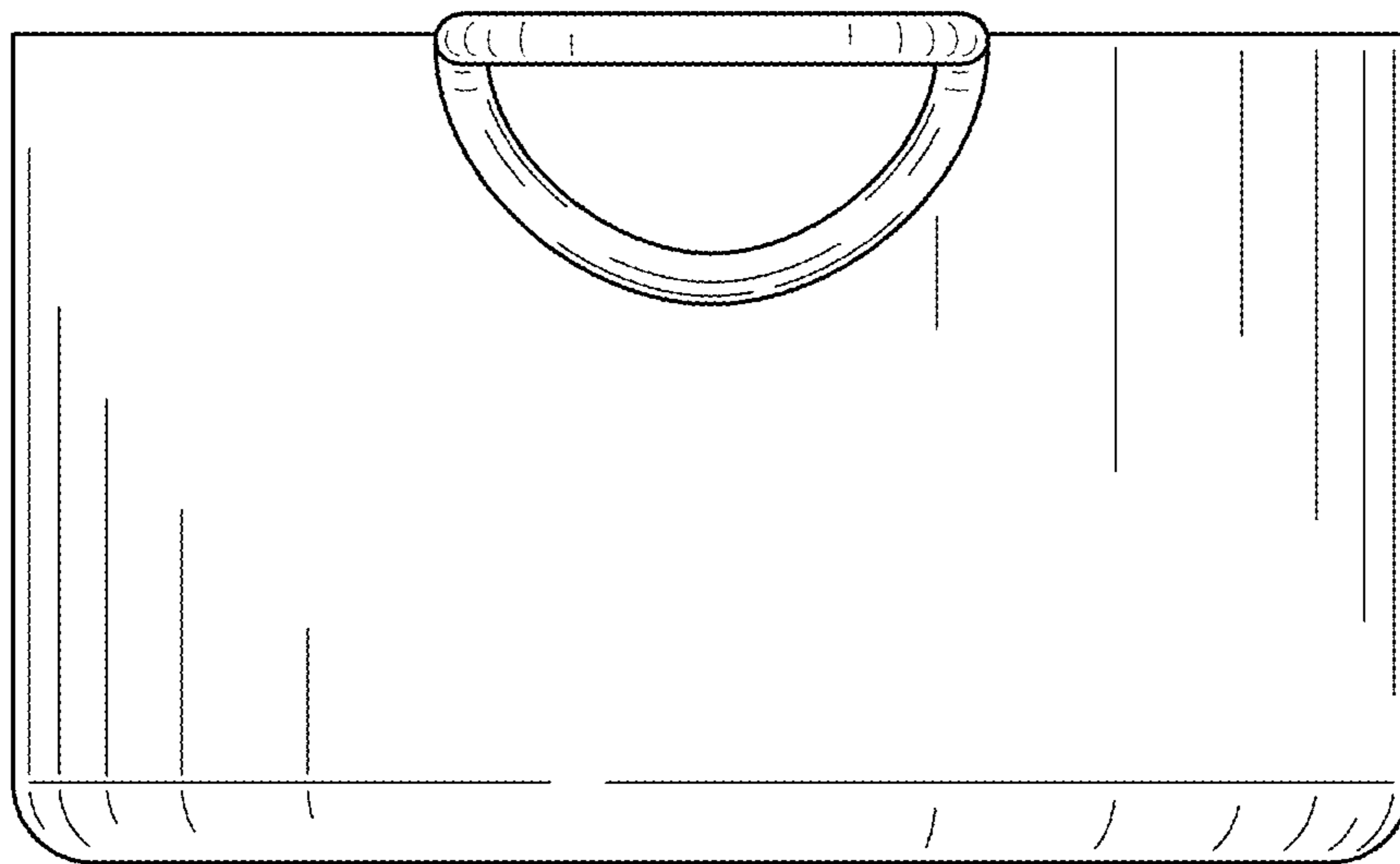


FIG. 5

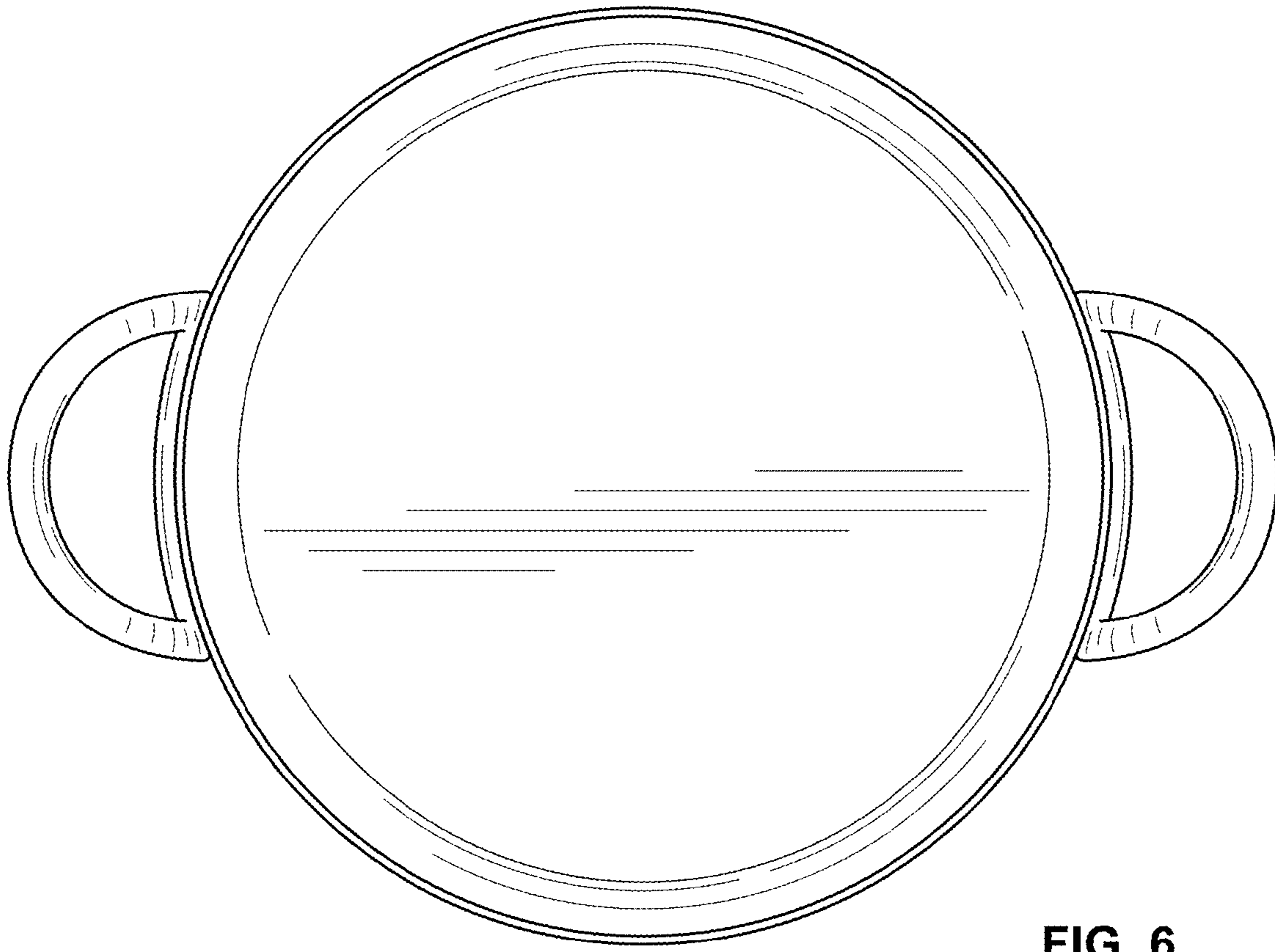


FIG. 6

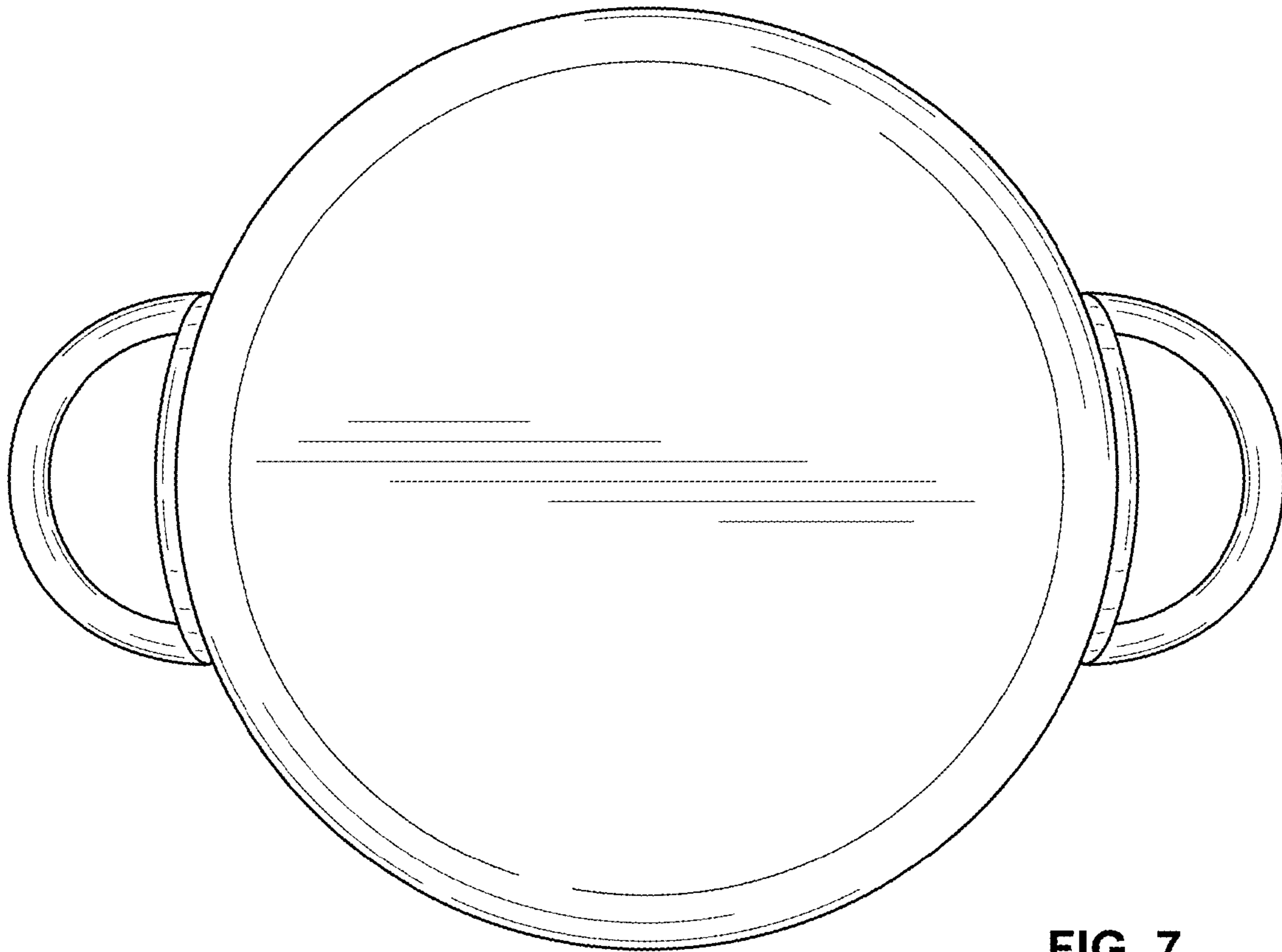


FIG. 7

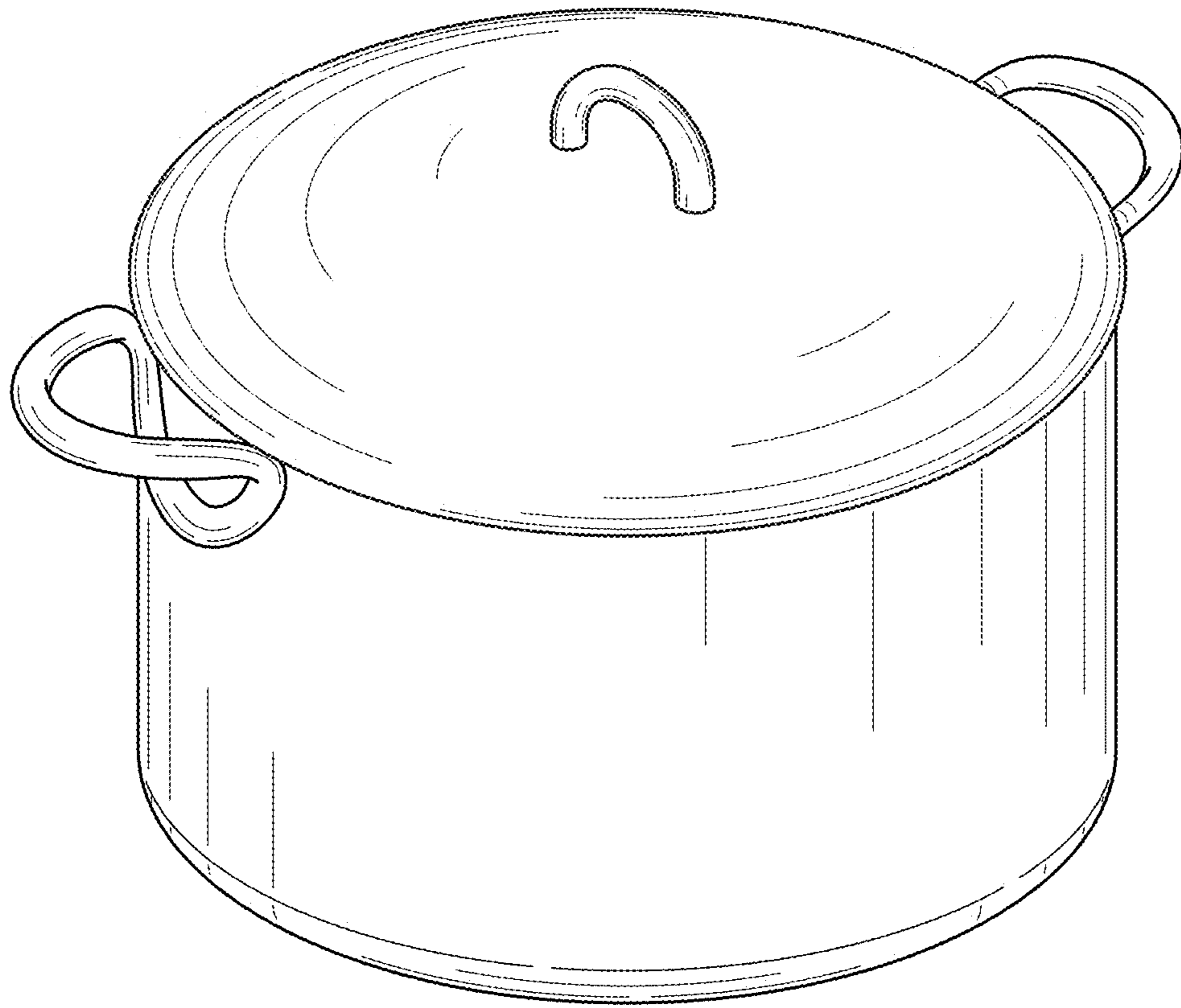


FIG. 8

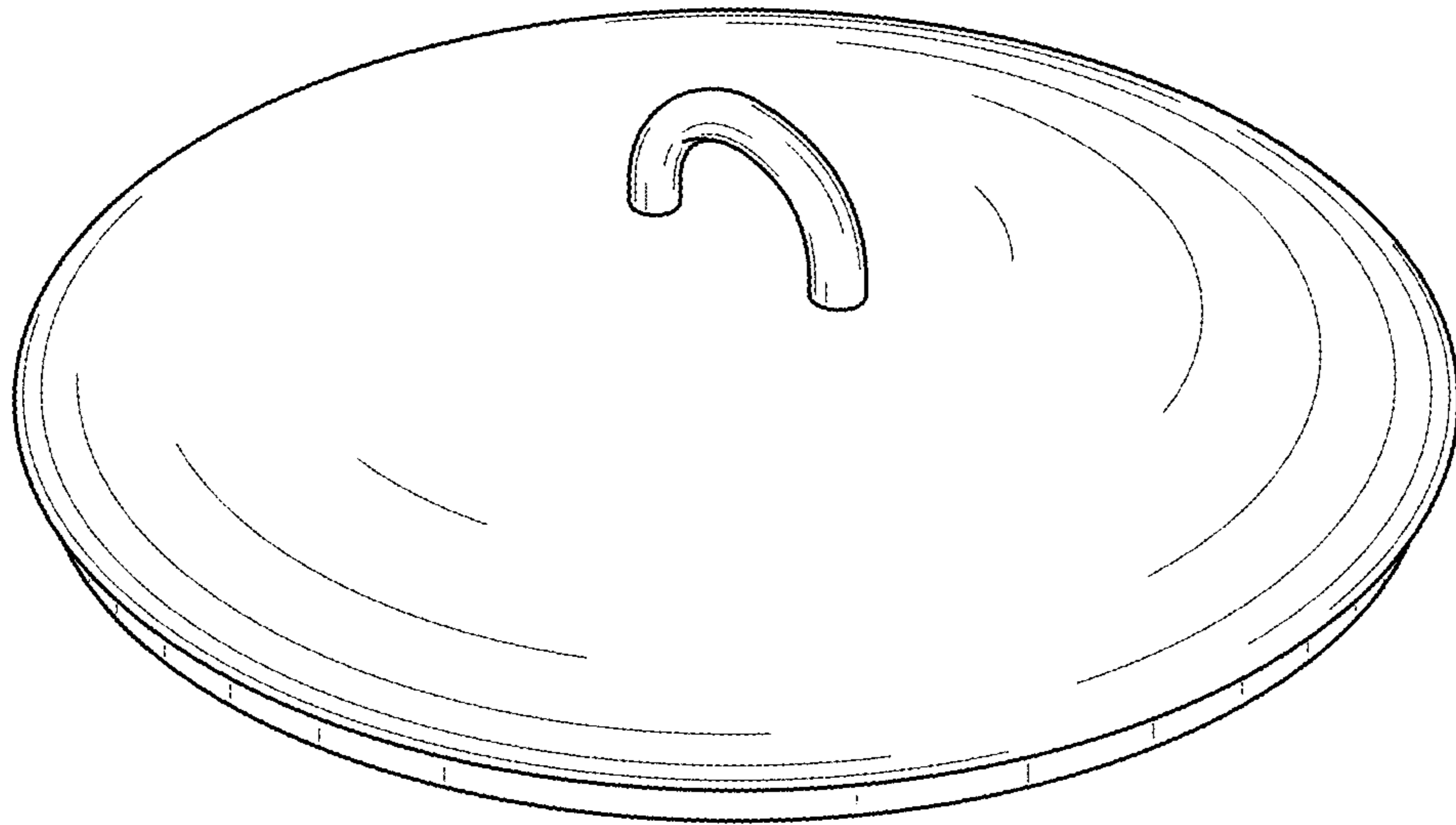


FIG. 9

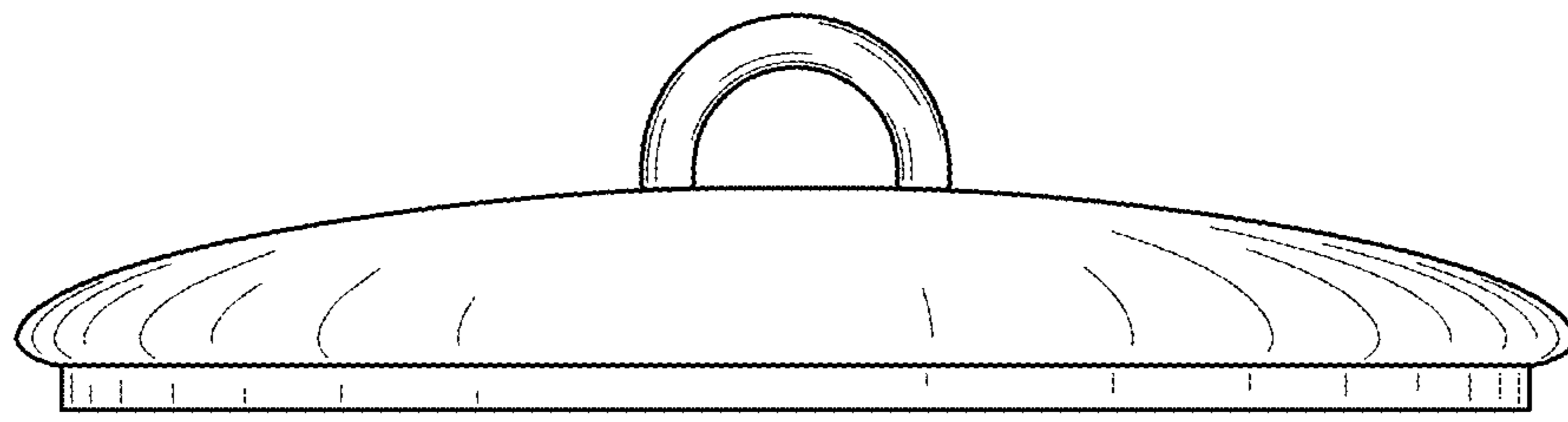


FIG. 10

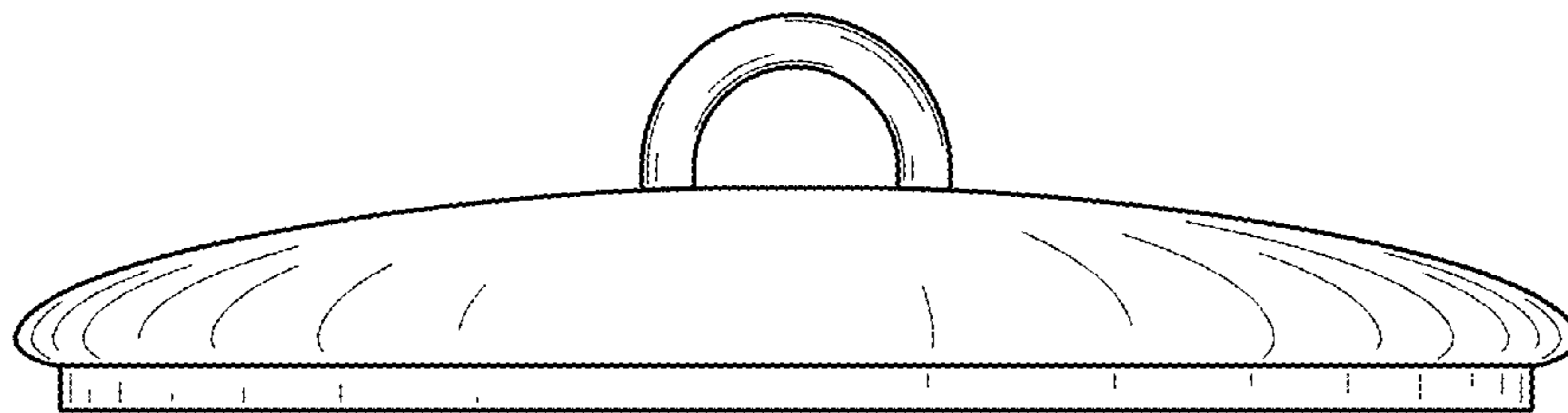


FIG. 11

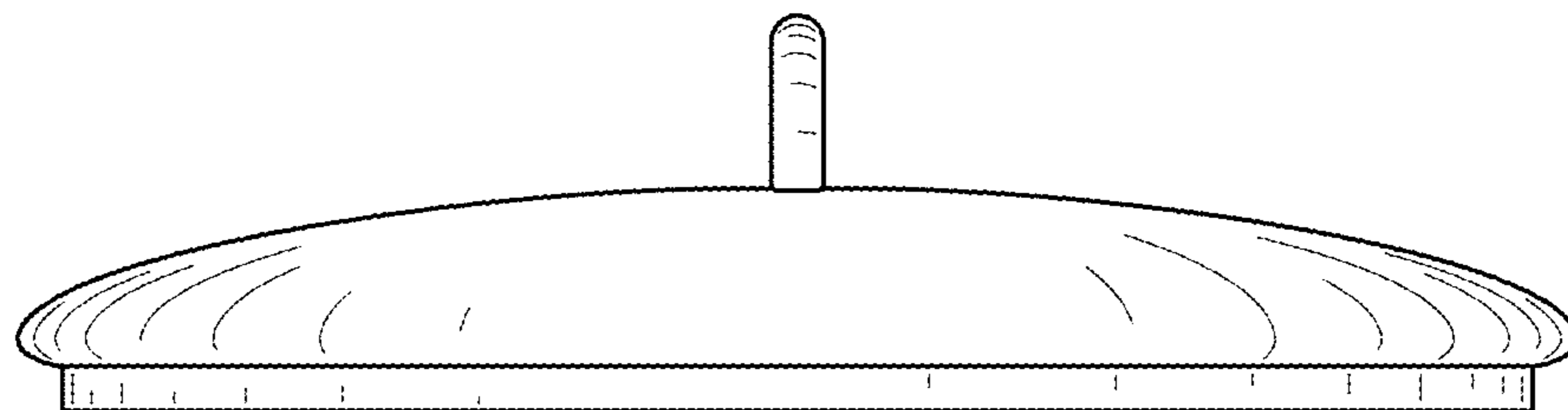


FIG. 12

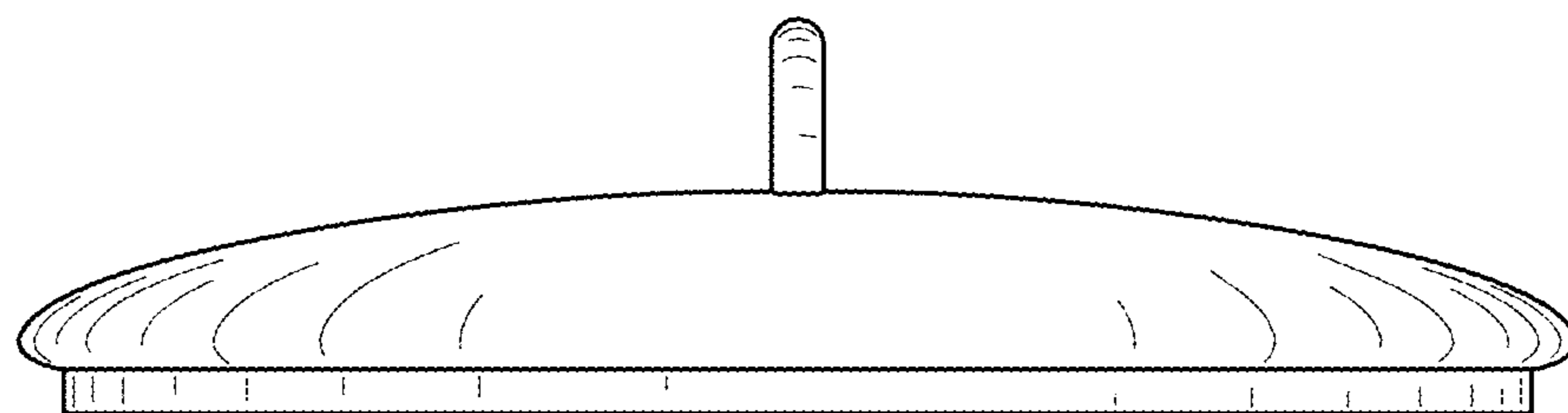


FIG. 13

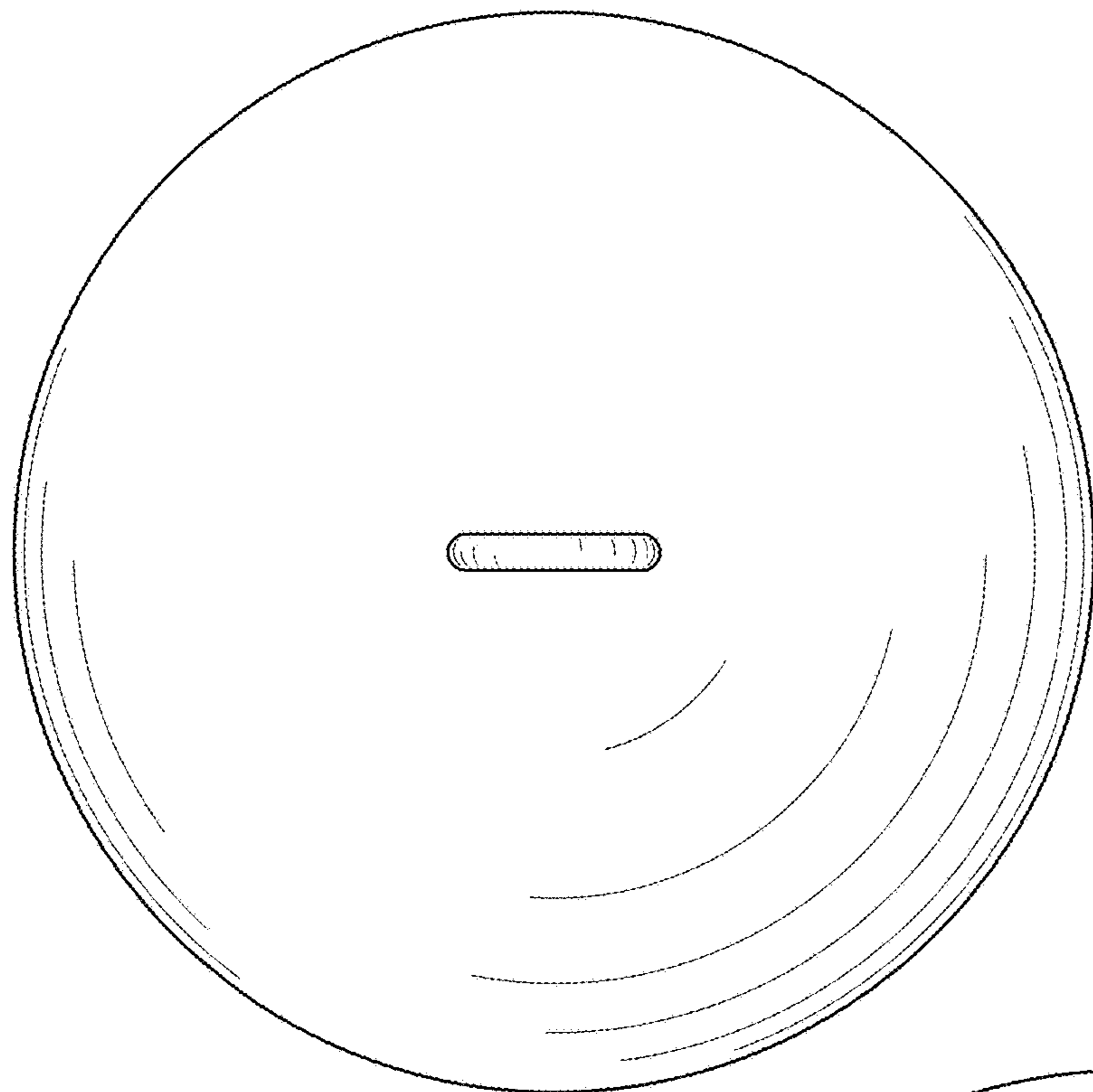


FIG. 14

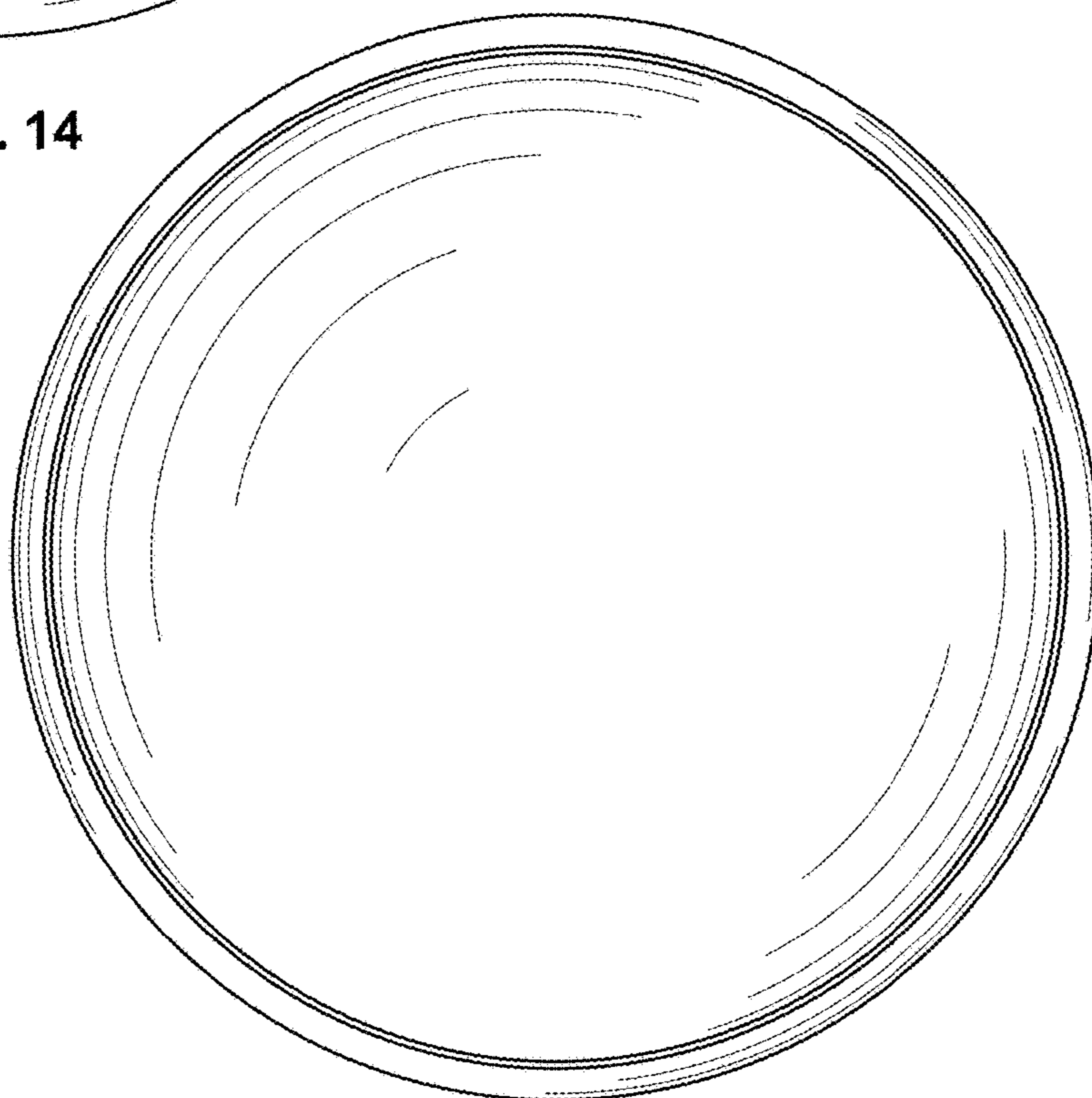


FIG. 15