

US00D915128S

(12) **United States Design Patent**
Elmasu et al.

(10) **Patent No.:** **US D915,128 S**
(45) **Date of Patent:** **** Apr. 6, 2021**

(54) **COOKWARE**

- (71) Applicant: **STMM Inc.**, New York, NY (US)
- (72) Inventors: **Celia S. Elmasu**, San Jose, CA (US);
Faris Elmasu, San Jose, CA (US)
- (73) Assignee: **STMM INC.**, New York, NY (US)
- (**) Term: **15 Years**
- (21) Appl. No.: **29/677,048**
- (22) Filed: **Jan. 16, 2019**
- (51) **LOC (13) Cl.** **07-02**
- (52) **U.S. Cl.**
USPC **D7/360**
- (58) **Field of Classification Search**
USPC D7/323, 352, 354, 355, 356, 357, 358,
D7/359, 360, 361, 362, 363, 364, 365,
D7/366, 396.1, 402, 409, 410
CPC .. A47J 27/00; A47J 37/00; A47J 37/01; A47J
37/04; A47J 37/06; A47J 37/10; A47J
37/0611; A47J 37/08; A47J 37/0807;
A47J 37/0814; A47J 37/0835; A47J
37/0842; A47J 37/085; A47J 37/0864;
A47J 37/0878; A47J 37/0885; A47J
37/0892; A47J 36/00; A47J 36/02; A47J
36/06; A47J 36/16; A47J 36/24; A47J
36/022; A47J 36/027
See application file for complete search history.

(56) **References Cited**

U.S. PATENT DOCUMENTS

- 3,451,588 A * 6/1969 Weber B65D 1/34
220/620
- D264,540 S * 5/1982 Otake D7/360
- 6,848,592 B2 * 2/2005 Logiudice A47J 37/101
126/384.1

(Continued)

FOREIGN PATENT DOCUMENTS

- JP 2000023839 A * 1/2000
- JP 2016214555 A * 12/2016

OTHER PUBLICATIONS

Great Jones had the startup launch of a lifetime. Now what?, announced Mar. 21, 2019 [online], retrieved May 6, 2020, retrieved from internet, <https://newconsumer.com/2019/03/great-jones-had-the-startup-launch-of-a-lifetime-now-what/>.*

(Continued)

Primary Examiner — Dana K Weiland
Assistant Examiner — Messina L Smith
(74) *Attorney, Agent, or Firm* — Fross Zelnick Lehrman & Zissu, P.C.; Charles T. J. Weigell, Esq.

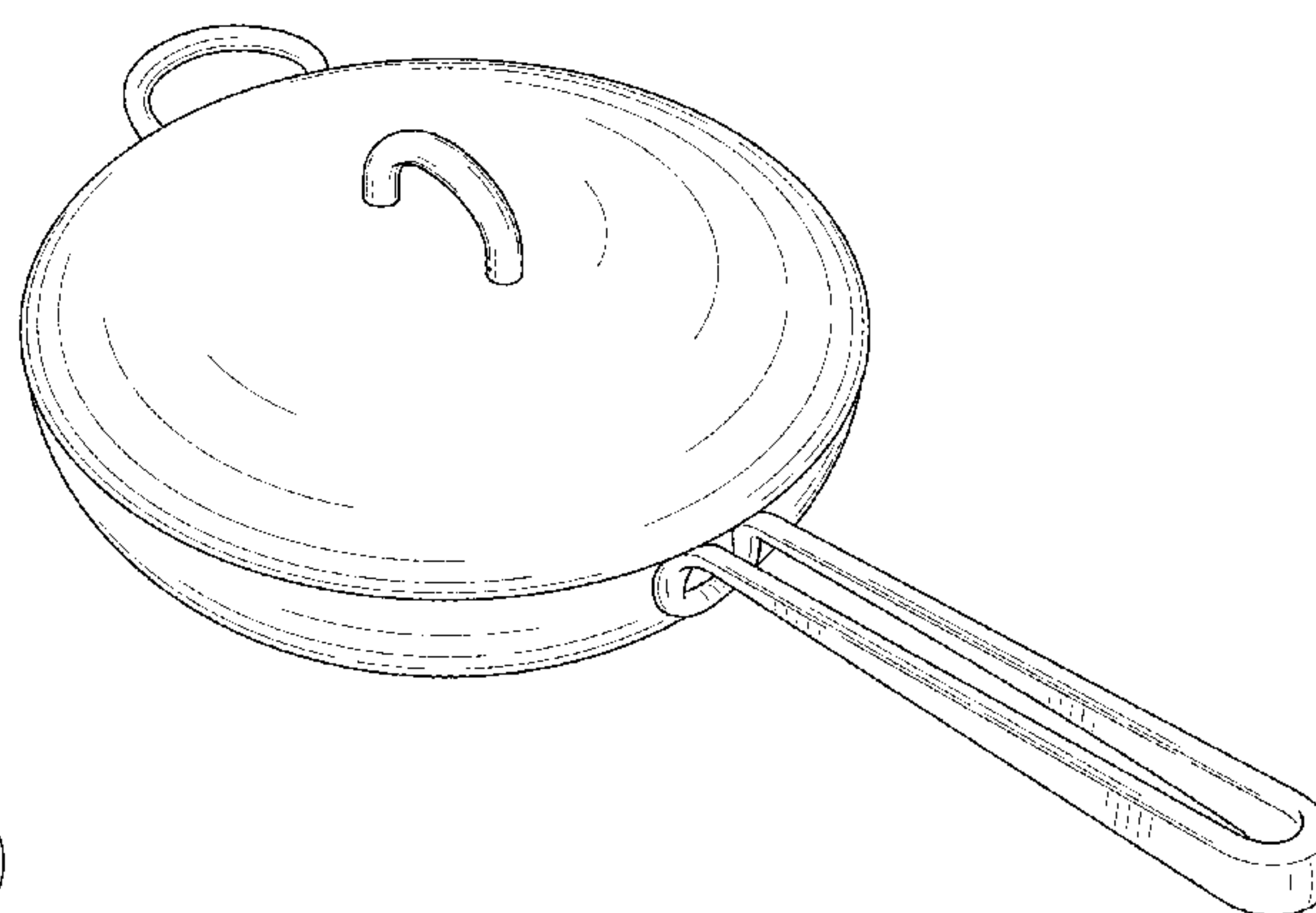
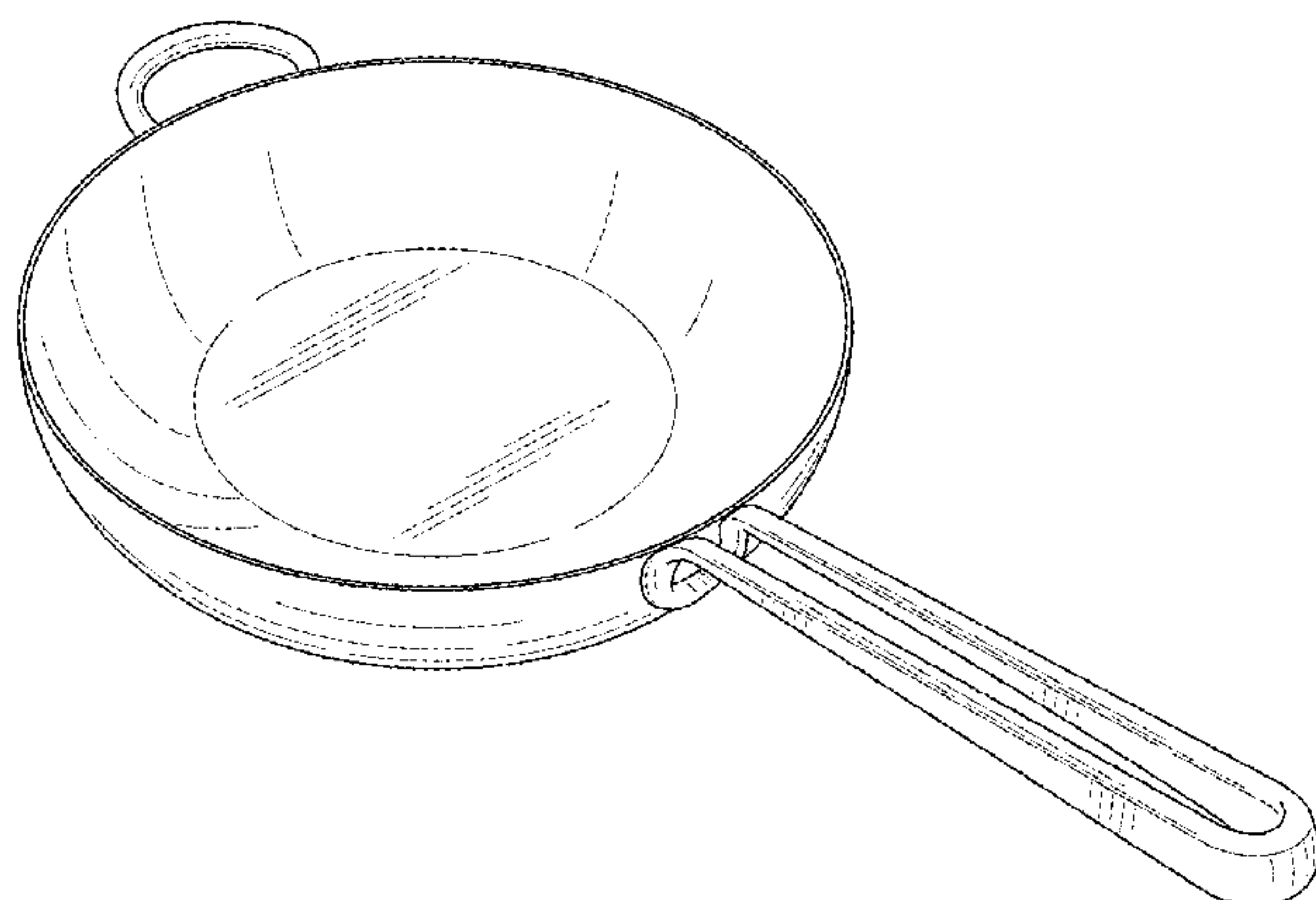
(57) **CLAIM**

The ornamental design for cookware, as shown and described.

DESCRIPTION

FIG. 1 is a front perspective view of cookware, shown separately from the lid to show aspects of the design that are not visible when combined, showing my new design; FIG. 2 is a front view thereof; FIG. 3 is a back view thereof; FIG. 4 is a right side view thereof; FIG. 5 is a left side view thereof; FIG. 6 is a top view thereof; FIG. 7 is a bottom view thereof; and FIG. 8 is a front perspective view of the cookware; FIG. 9 is a front perspective view of the lid of the cookware shown separately to show aspects of the design that are not visible when combined; FIG. 10 is a front view thereof; FIG. 11 is a back view thereof; FIG. 12 is a right side view thereof; FIG. 13 is a left side view thereof; FIG. 14 is a top view thereof; and, FIG. 15 is a bottom view thereof.

1 Claim, 9 Drawing Sheets



(56)

References Cited

U.S. PATENT DOCUMENTS

D587,519 S *	3/2009	Cheng	D7/360
D598,702 S *	8/2009	Hoekstra	D7/361
D675,863 S *	2/2013	Zucchi	D7/354
D696,899 S *	1/2014	Rae	D7/354
D763,618 S *	8/2016	Feng	D7/354
D777,506 S *	1/2017	Mirchandani	D7/354
D784,068 S *	4/2017	Barth	D7/354
D819,393 S *	6/2018	Dodane	D7/361
D829,490 S *	10/2018	Dhirmalani	D7/361
D834,875 S *	12/2018	Feng	D7/361
D876,152 S *	2/2020	Levy	D7/354
D880,222 S *	4/2020	Hollinger	D7/361
D882,330 S *	4/2020	Katz	D7/354

OTHER PUBLICATIONS

Small Fry, announced Sep. 4, 2019 [online], retrieved May 6, 2020, retrieved from internet, <https://greatjonesgoods.com/products/small-fry>.*

Great Jones, announced Nov. 24, 2018 [online], retrieved May 6, 2020, retrieved from internet, <https://twitter.com/GreatJones/status/1066345257376366593>.*

* cited by examiner

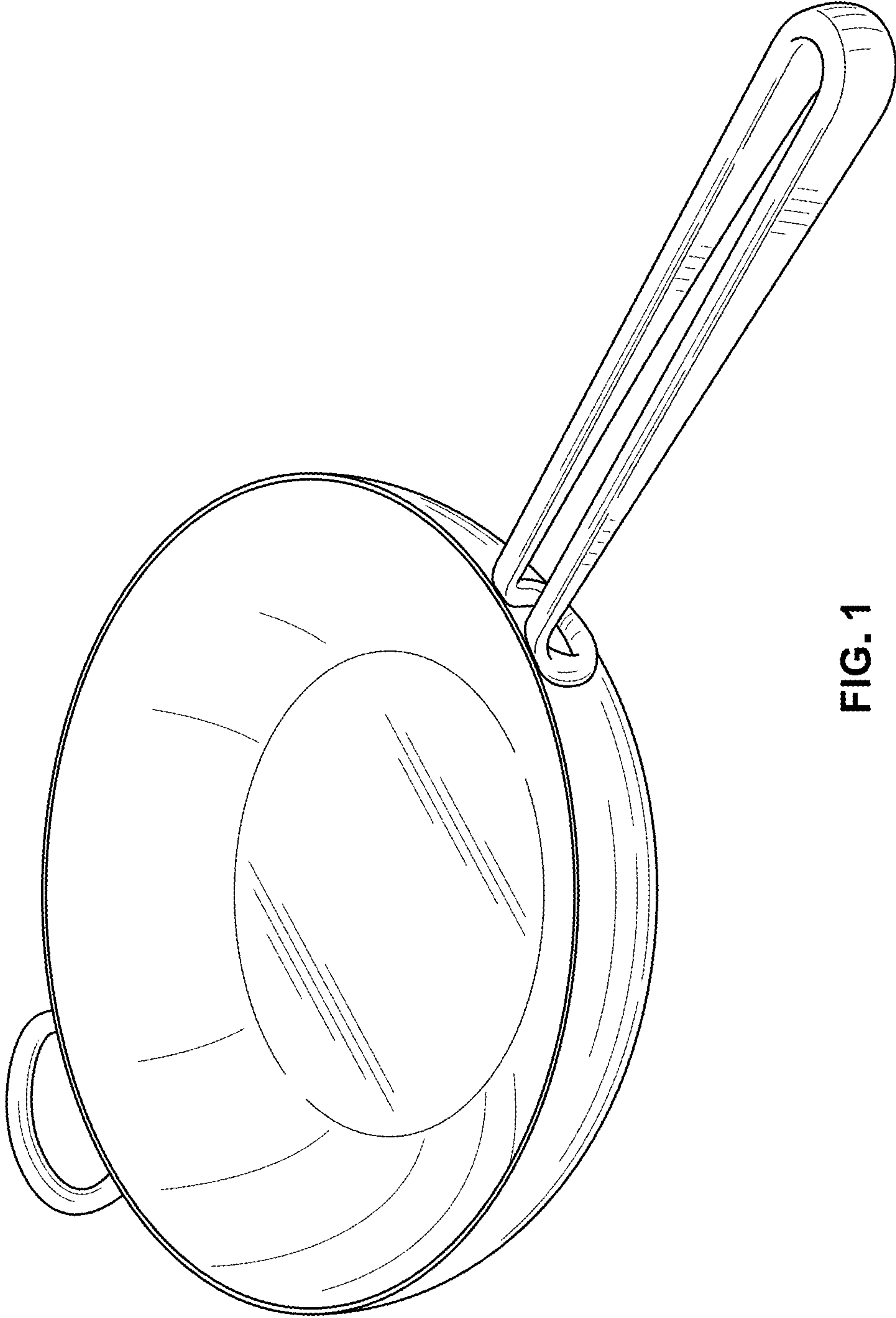


FIG. 1

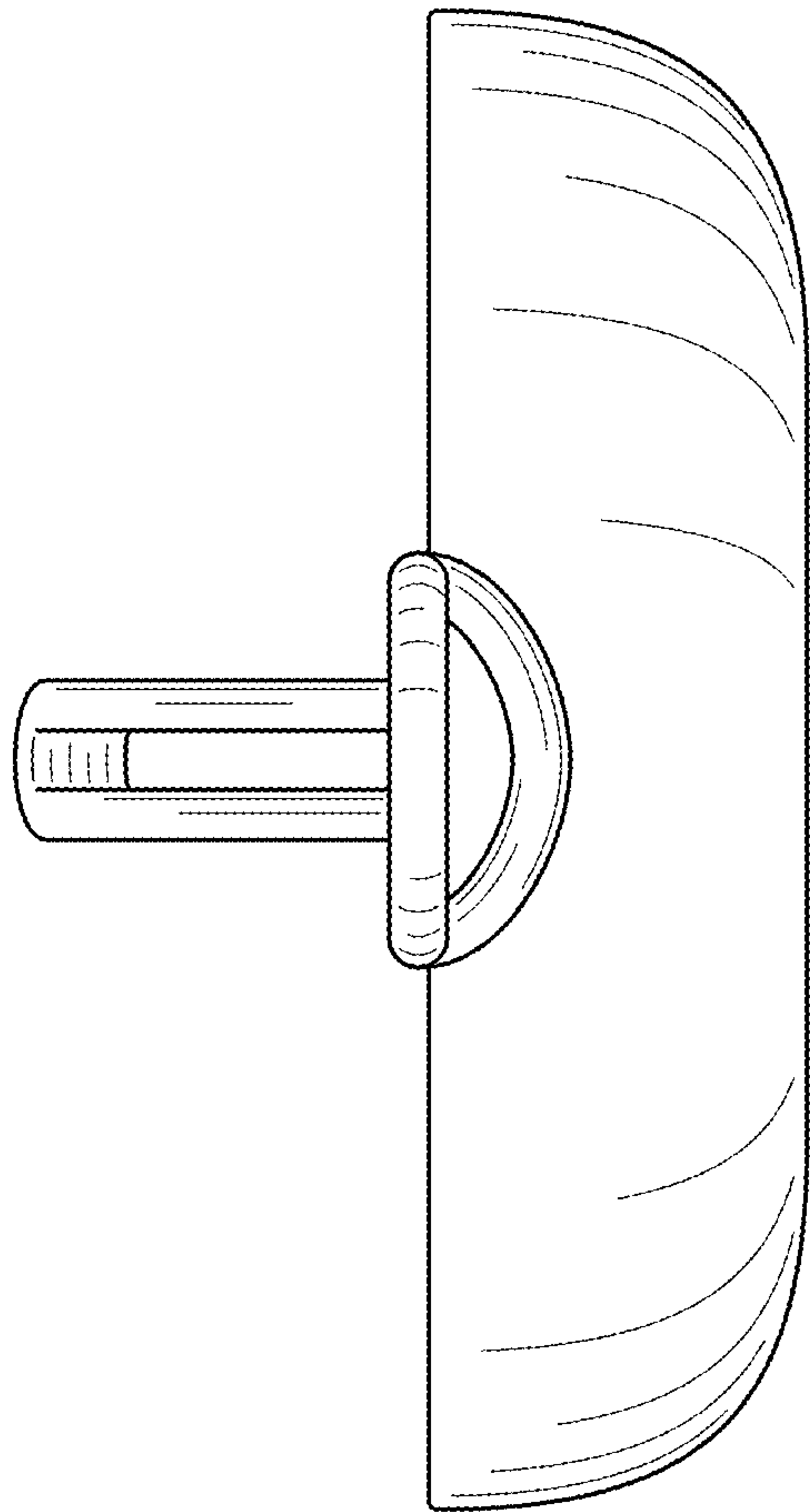


FIG. 2

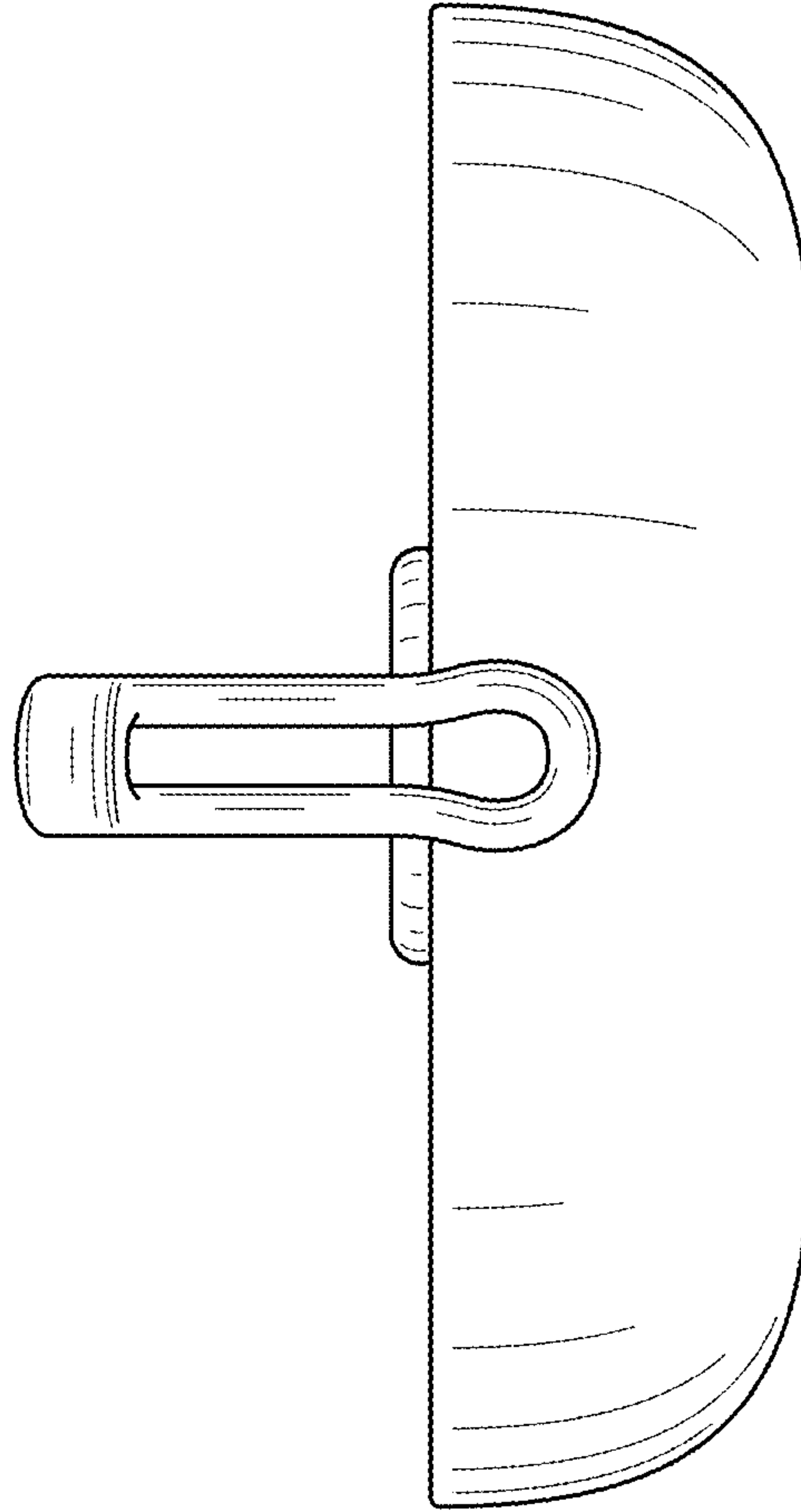


FIG. 3

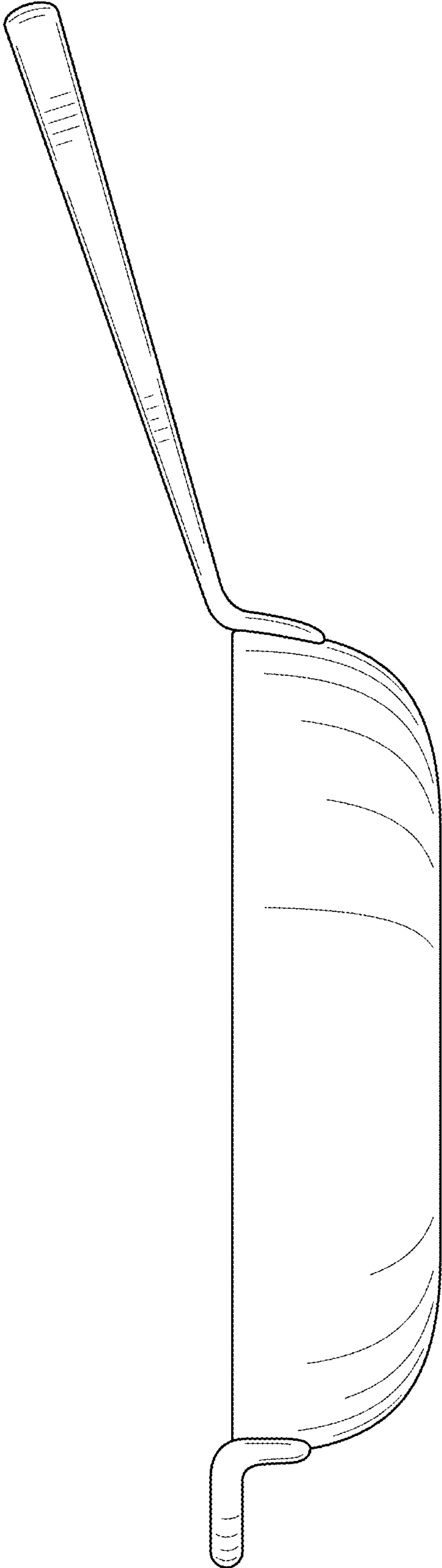


FIG. 4

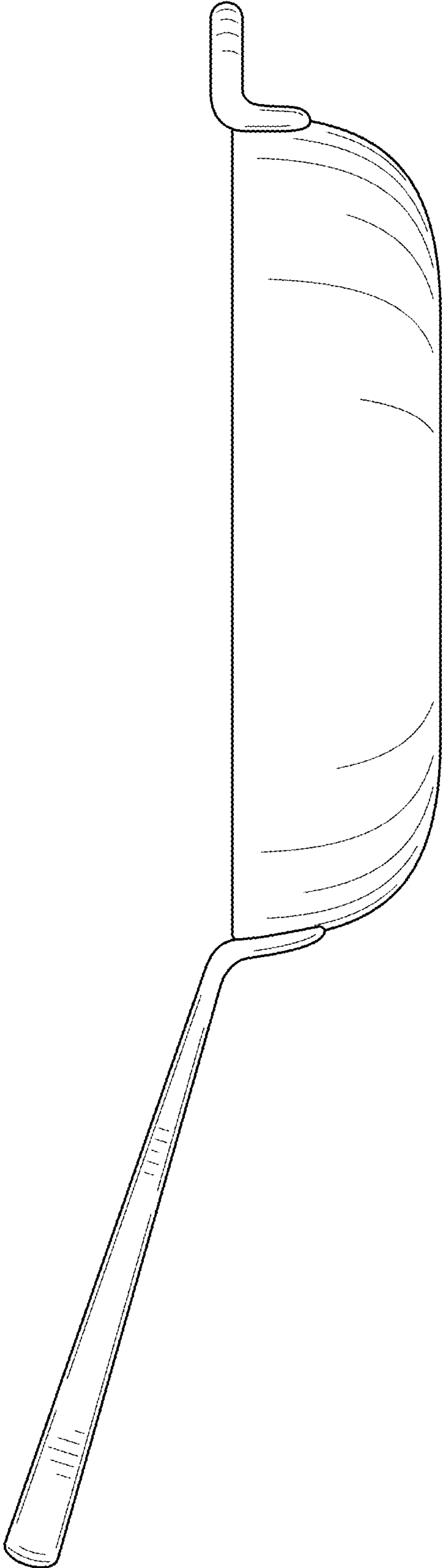


FIG. 5

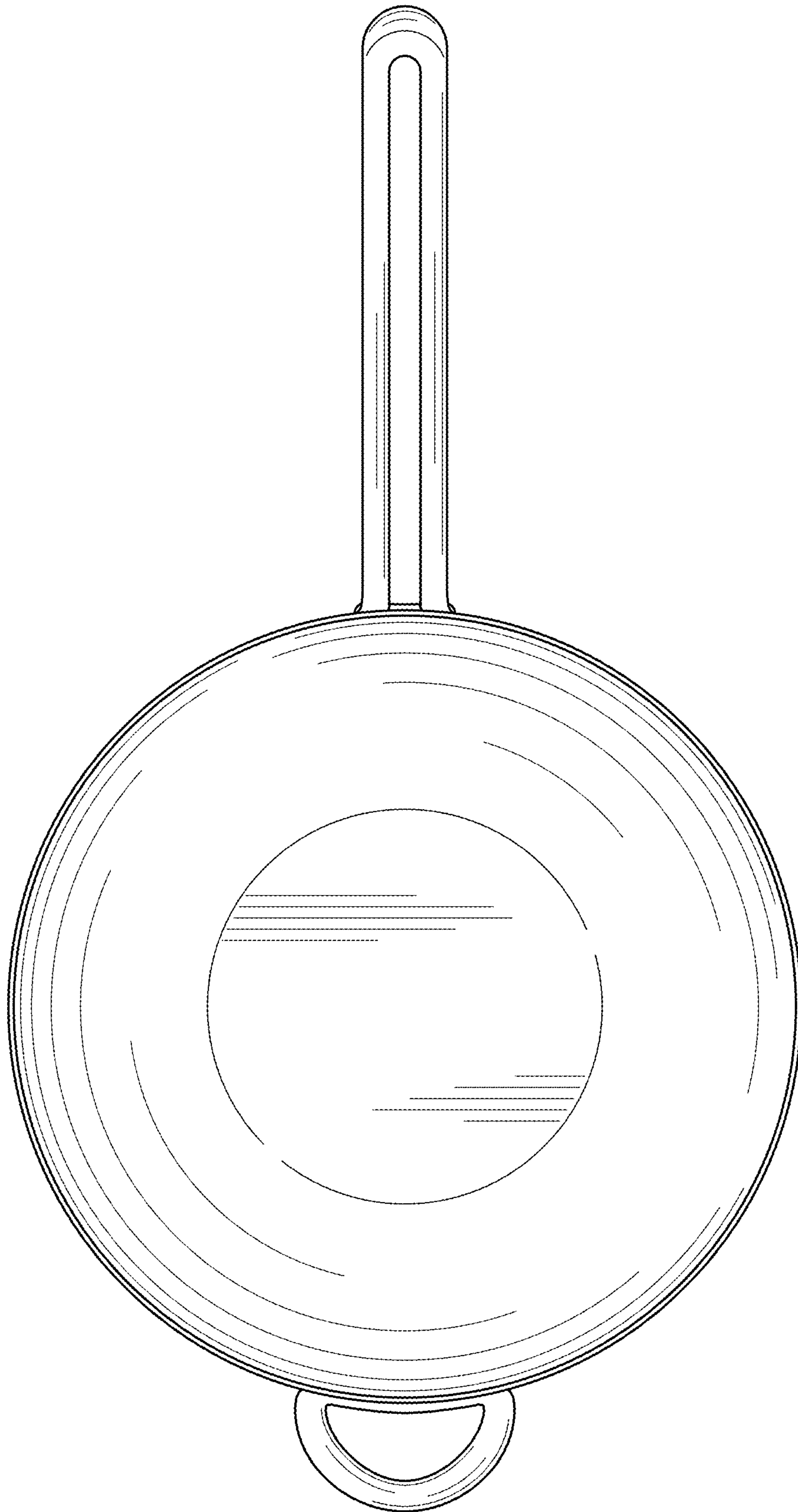


FIG. 6

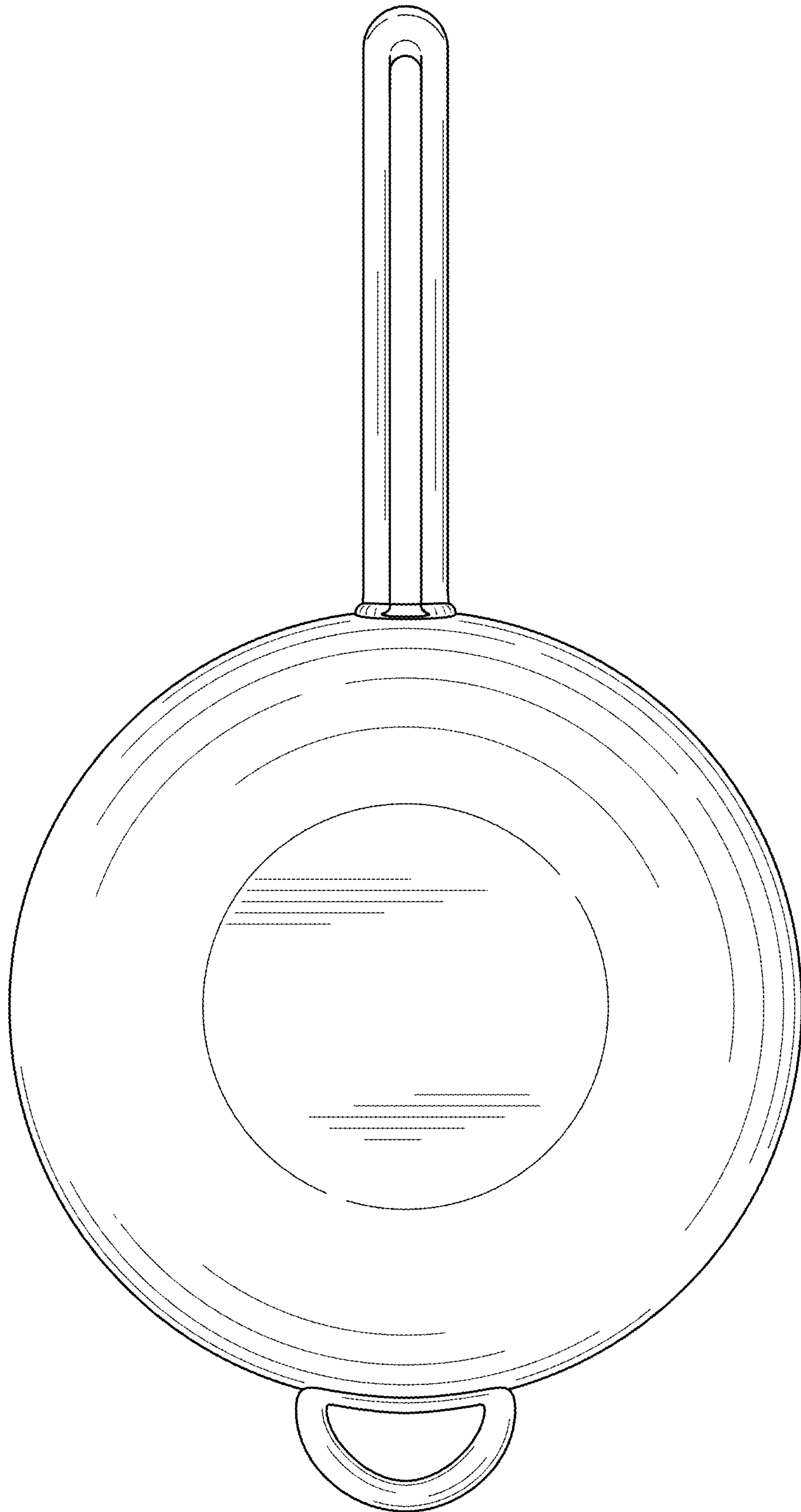


FIG. 7

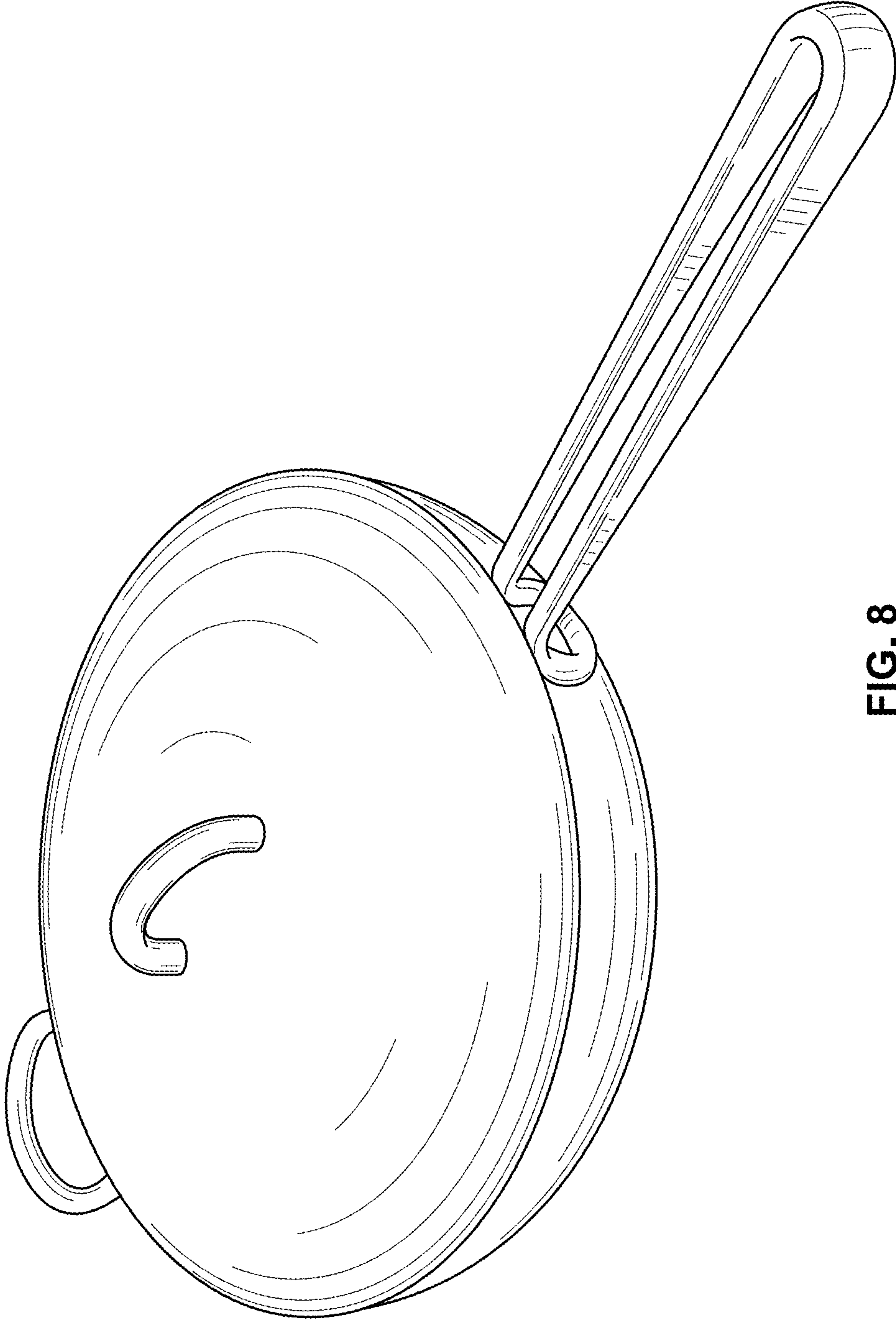


FIG. 8

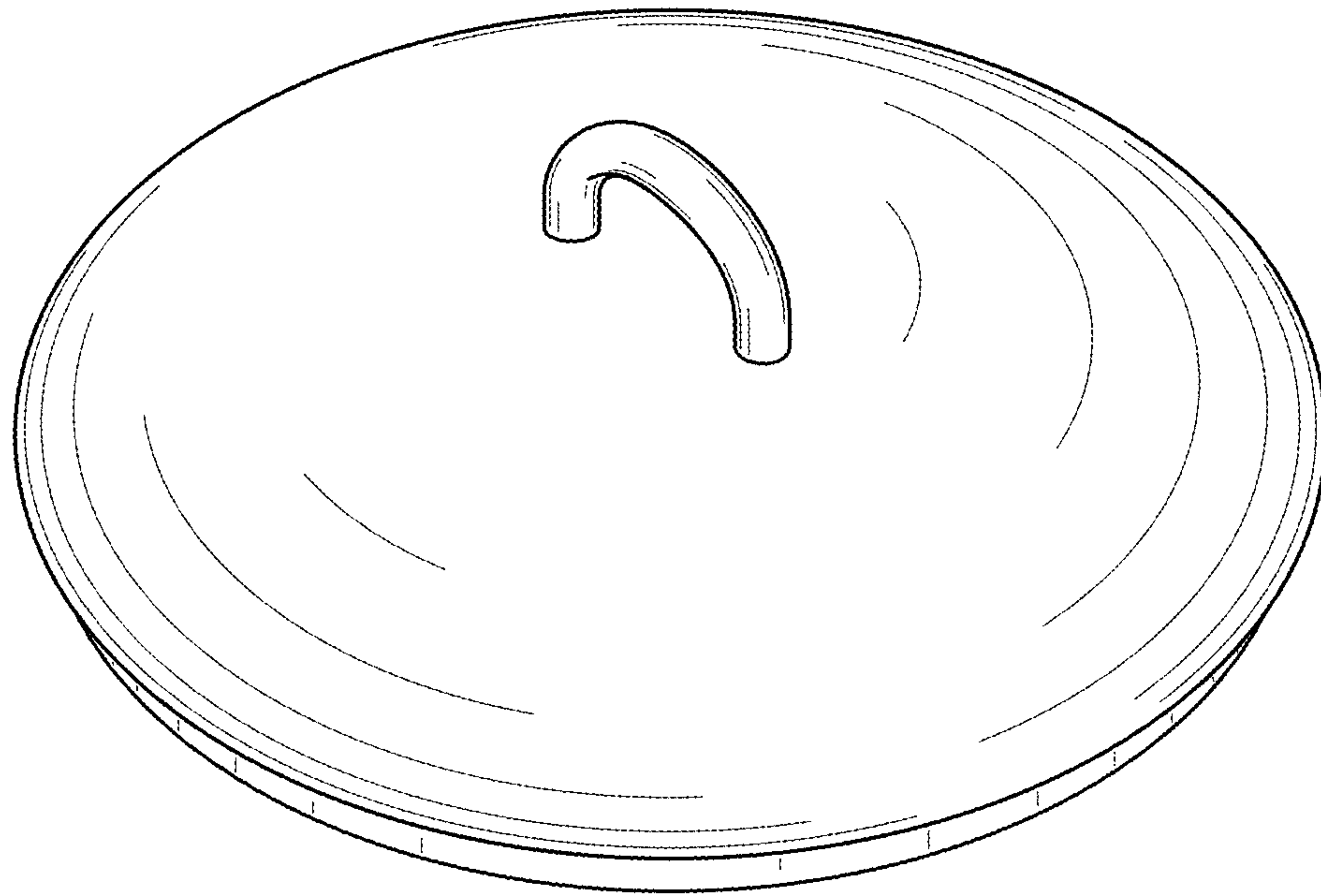


FIG. 9

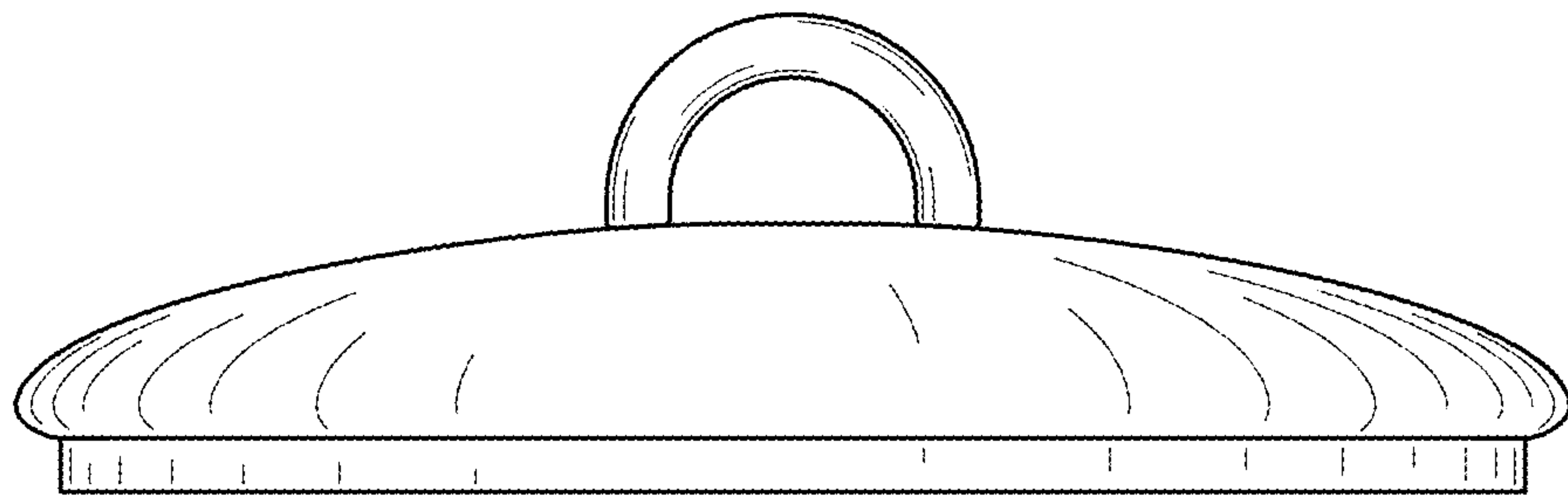


FIG. 10

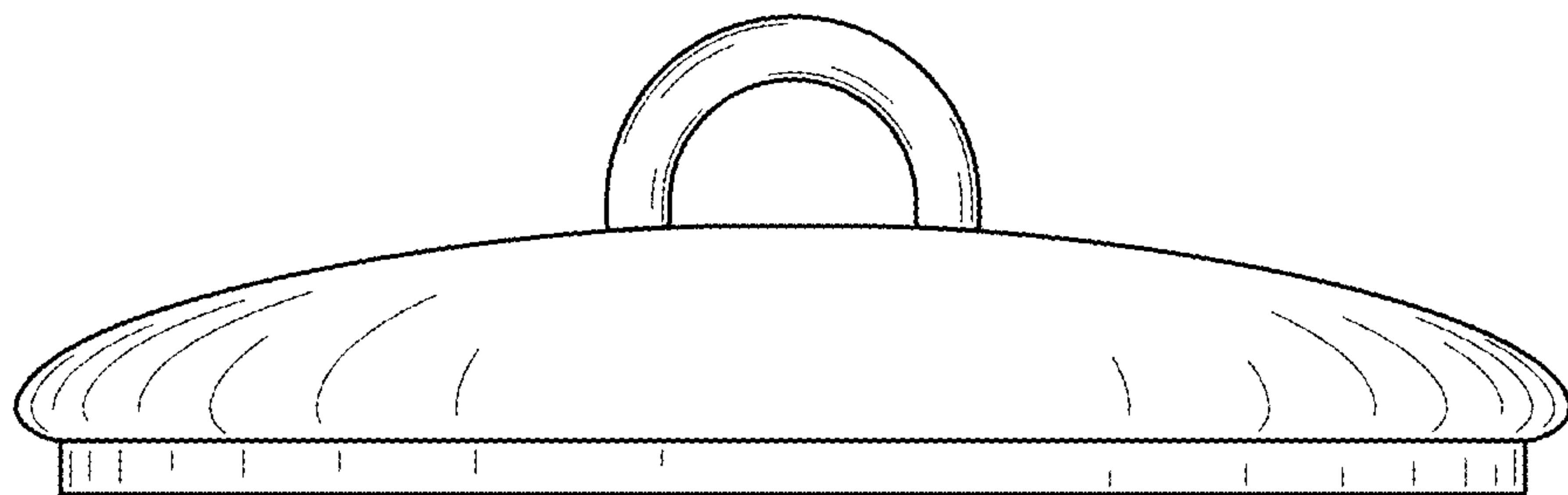


FIG. 11

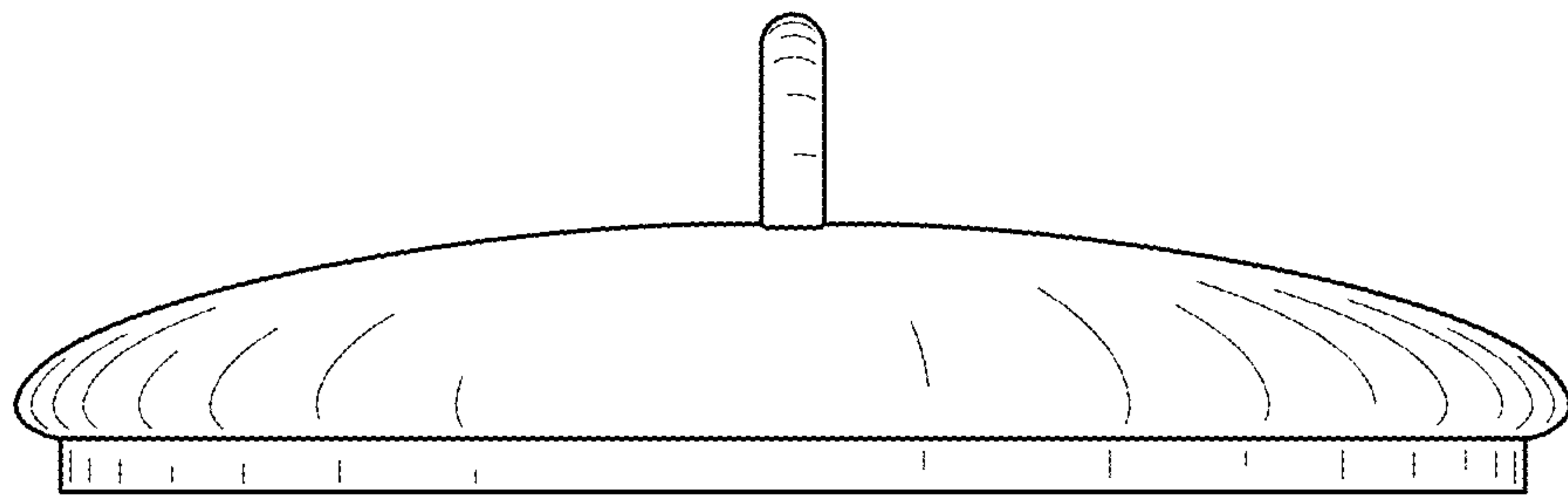


FIG. 12

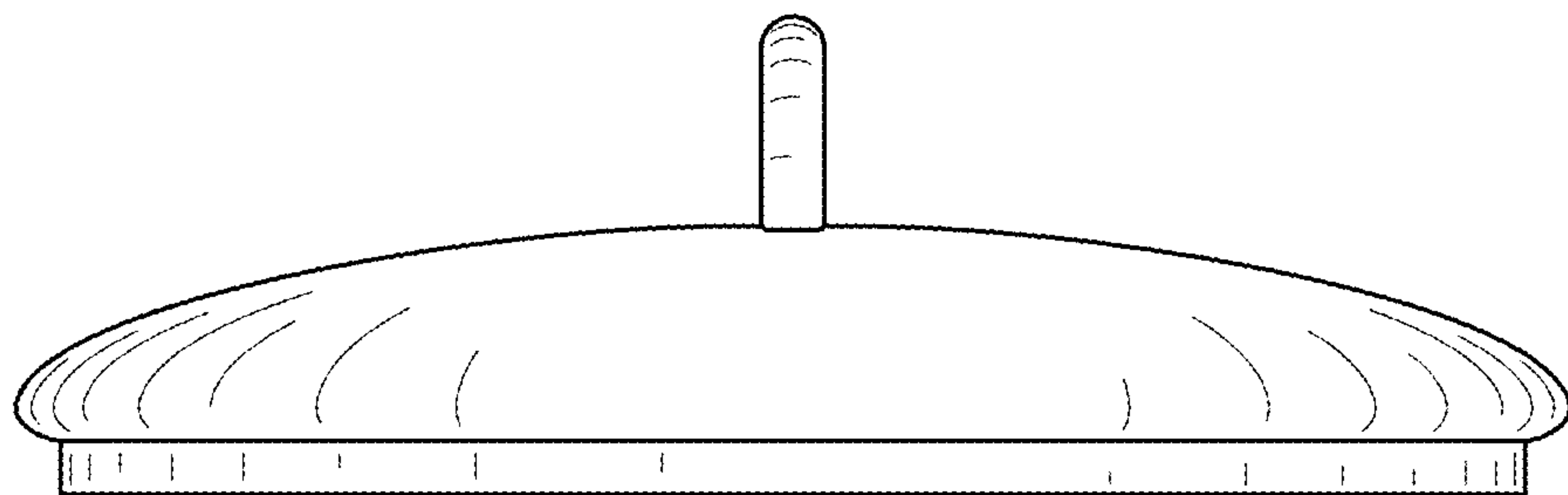


FIG. 13

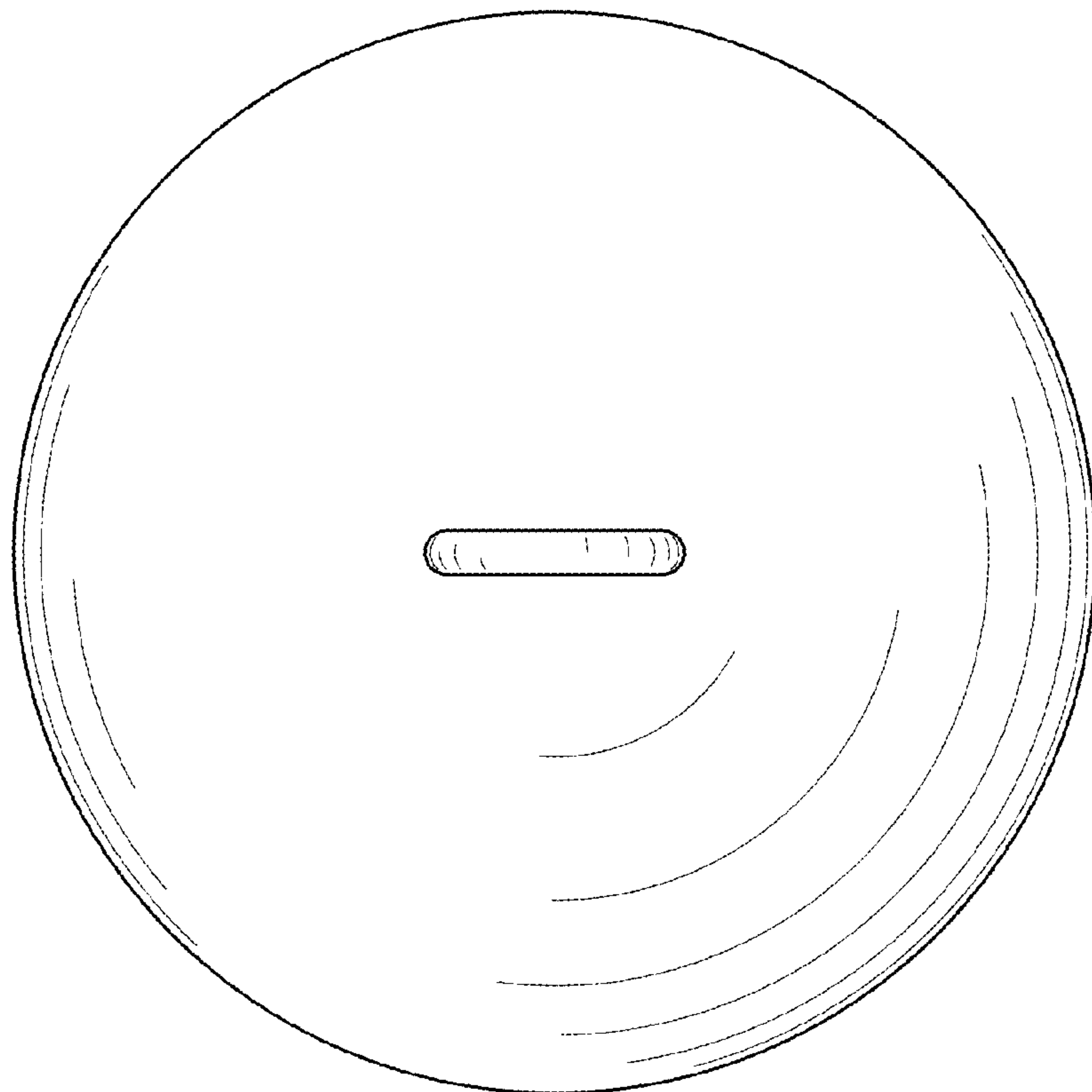


FIG. 14

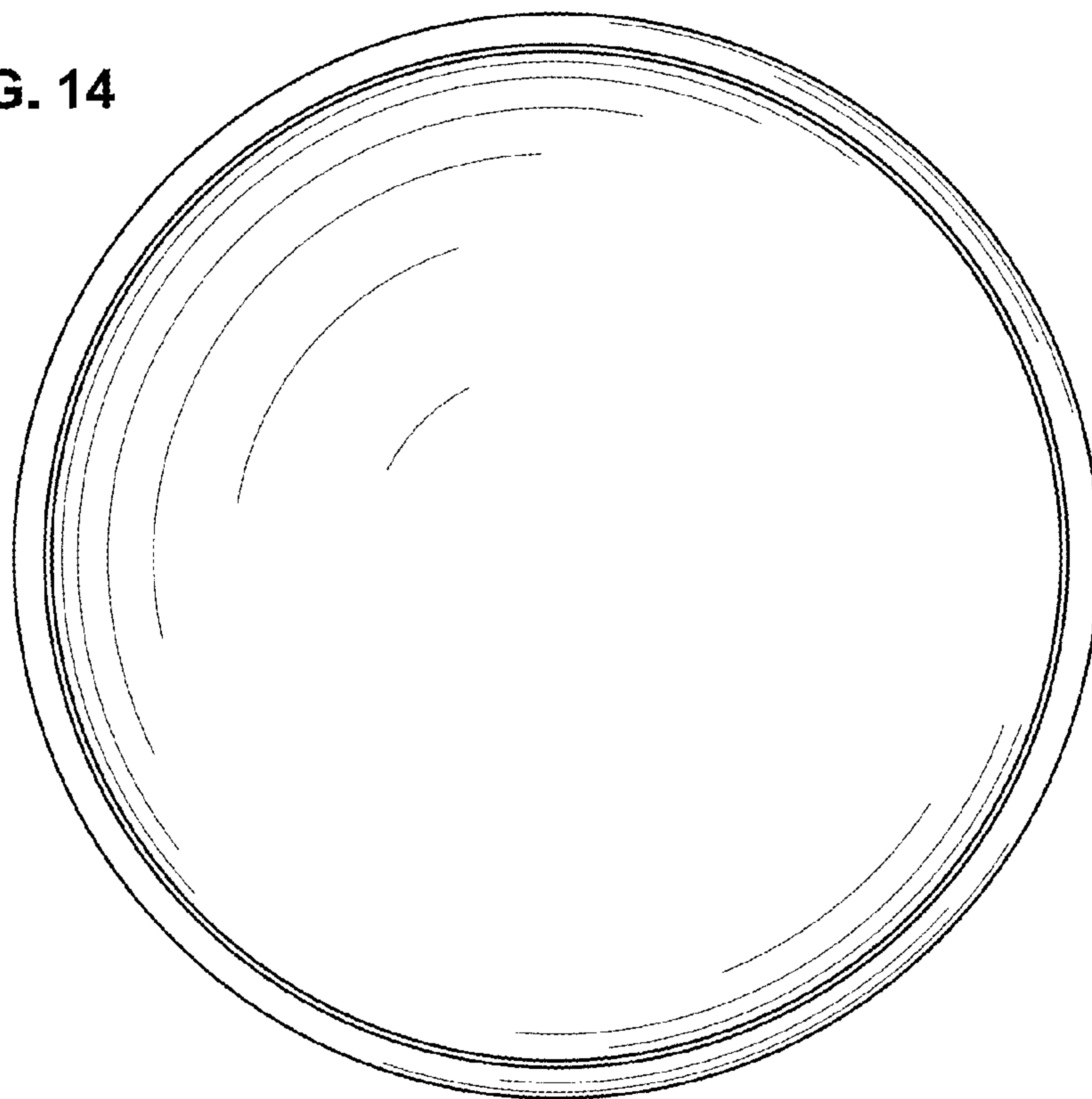


FIG. 15