



US00D915127S

(12) **United States Design Patent**
Elmasu et al.

(10) **Patent No.:** **US D915,127 S**
(45) **Date of Patent:** **** Apr. 6, 2021**

(54) **COOKWARE**

- (71) Applicant: **STMM Inc.**, New York, NY (US)
- (72) Inventors: **Celia S. Elmasu**, San Jose, CA (US);
Faris Elmasu, San Jose, CA (US)
- (73) Assignee: **STMM INC.**, New York, NY (US)
- (**) Term: **15 Years**
- (21) Appl. No.: **29/677,044**
- (22) Filed: **Jan. 16, 2019**
- (51) **LOC (13) Cl.** **07-02**
- (52) **U.S. Cl.**
USPC **D7/360**
- (58) **Field of Classification Search**
USPC D7/323, 352, 354, 355, 356, 357, 358,
D7/359, 360, 361, 362, 363, 364, 365,
D7/366, 396.1, 402, 409, 410
CPC .. A47J 27/00; A47J 37/00; A47J 37/01; A47J
37/04; A47J 37/06; A47J 37/10; A47J
37/0611; A47J 37/08; A47J 37/0807;
A47J 37/0814; A47J 37/0835; A47J
37/0842; A47J 37/085; A47J 37/0864;
A47J 37/0878; A47J 37/0885; A47J
37/0892; A47J 36/00; A47J 36/02; A47J
36/06; A47J 36/16; A47J 36/24; A47J
36/022; A47J 36/027
See application file for complete search history.

(56) **References Cited**

U.S. PATENT DOCUMENTS

- 6,457,601 B1 * 10/2002 Chappell A47J 36/022
220/495.03
- D607,689 S * 1/2010 Hart D7/354
- D667,258 S * 9/2012 Dodane D7/354
- D685,603 S * 7/2013 Mishan D7/354
- D696,899 S * 1/2014 Rae D7/354

(Continued)

OTHER PUBLICATIONS

Great Jones Makes Pots and Pans You Won't Want to Put Away, announced Nov. 8, 2018 [online], retrieved May 6, 2020, retrieved from internet, <https://www.vogue.com/article/great-jones-cookware>.*

(Continued)

Primary Examiner — Dana K Weiland

Assistant Examiner — Messina L Smith

(74) *Attorney, Agent, or Firm* — Fross Zelnick Lehrman & Zissu, P.C.; Charles T. J. Weigell, Esq.

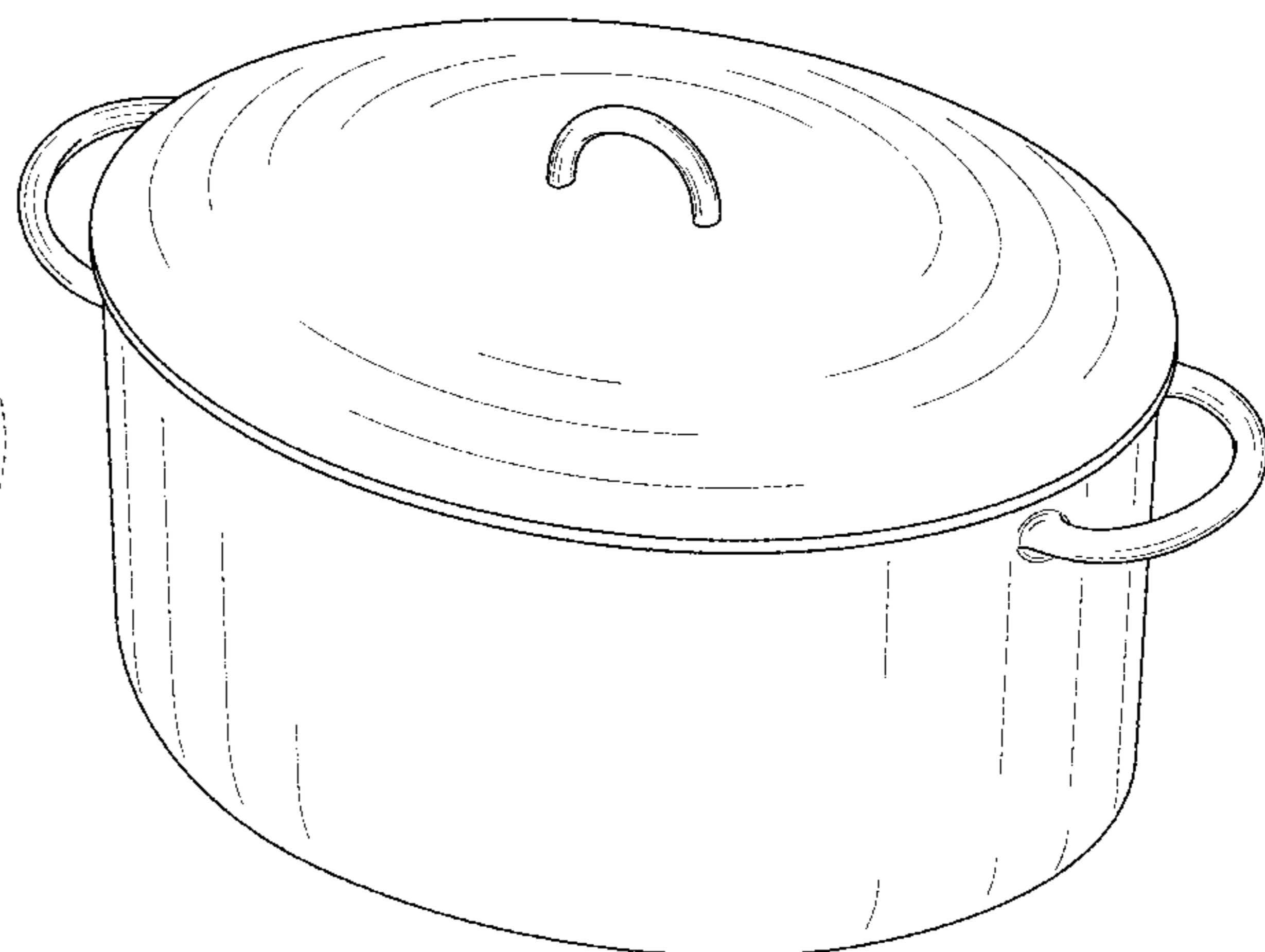
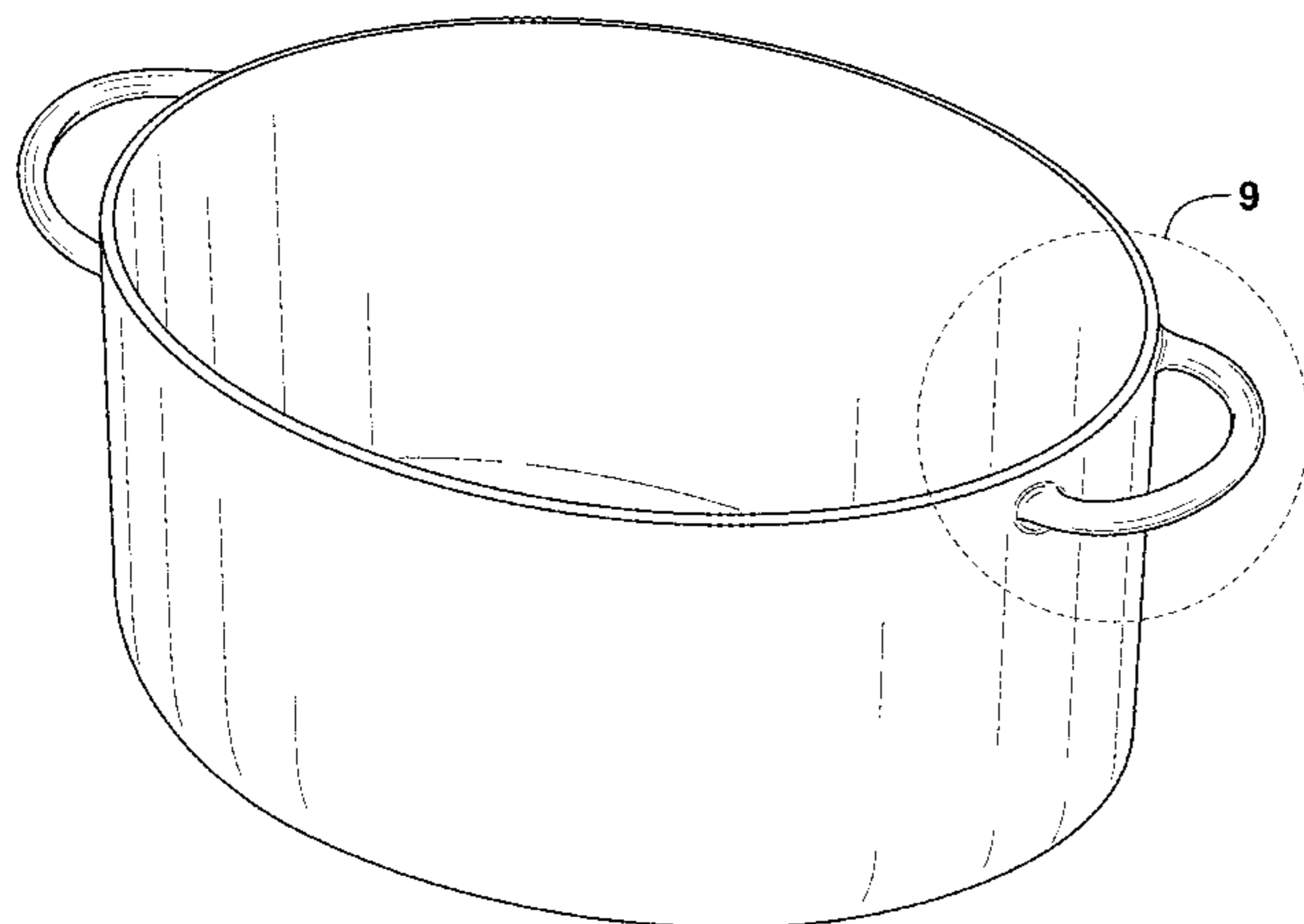
(57) **CLAIM**

The ornamental design for cookware, as shown and described.

DESCRIPTION

FIG. 1 is a front perspective view of cookware, shown separately from the lid to show aspects of the design that are not visible when combined, showing my new design;
 FIG. 2 is a front view thereof;
 FIG. 3 is a back view thereof;
 FIG. 4 is a right side view thereof;
 FIG. 5 is a left side view thereof;
 FIG. 6 is a top view thereof;
 FIG. 7 is a bottom view thereof; and
 FIG. 8 is a front perspective view of the cookware;
 FIG. 9 is an enlarged view of the handle of the cookware shown within the area designated as 9 in FIG. 1;
 FIG. 10 is a front perspective view of the lid of the cookware shown separately to show aspects of the design that are not visible when combined;
 FIG. 11 is a front view thereof;
 FIG. 12 is a back view thereof;
 FIG. 13 is a right side view thereof;
 FIG. 14 is a left side view thereof;
 FIG. 15 is a top side view thereof; and,
 FIG. 16 is a bottom side view thereof.
 The broken lines depiction of the cookware in the drawings form no part of the claimed design.

1 Claim, 9 Drawing Sheets



(56)

References Cited

U.S. PATENT DOCUMENTS

D731,232	S *	6/2015	Verkaik	D7/354
D755,559	S *	5/2016	Gabbay	D7/354
D794,380	S *	8/2017	Rodriguez	D7/360
D812,975	S *	3/2018	Mirchandani	D7/409
D829,037	S *	9/2018	Garcia Luna	D7/360
2002/0144605	A1 *	10/2002	Fawson	A47J 37/108 99/340
2012/0175374	A1 *	7/2012	Cheng	A47J 45/068 220/573.1
2015/0196157	A1 *	7/2015	Swisth	A47J 47/08 220/573.1

OTHER PUBLICATIONS

The Dutchess, announced Aug. 26, 2019 [online], retrieved May 6, 2020, retrieved from internet, https://greatjonesgoods.com/products/the-dutchess?variant=20348355182650¤cy=USD&utm_source=google&utm_medium=cpc&utm_campaign=google+shopping#shopify-product-reviews.*

Great Jones had the startup launch of a lifetime. Now what?, announced Mar. 21, 2019 [online], retrieved May 6, 2020, retrieved from internet, <https://newconsumer.com/2019/03/great-jones-had-the-startup-launch-of-a-lifetime-now-what/>.*

Great Jones, announced Nov. 21, 2019 [online], retrieved May 6, 2020, retrieved from internet, <https://twitter.com/GreatJones/status/1065281038090469376>.*

* cited by examiner

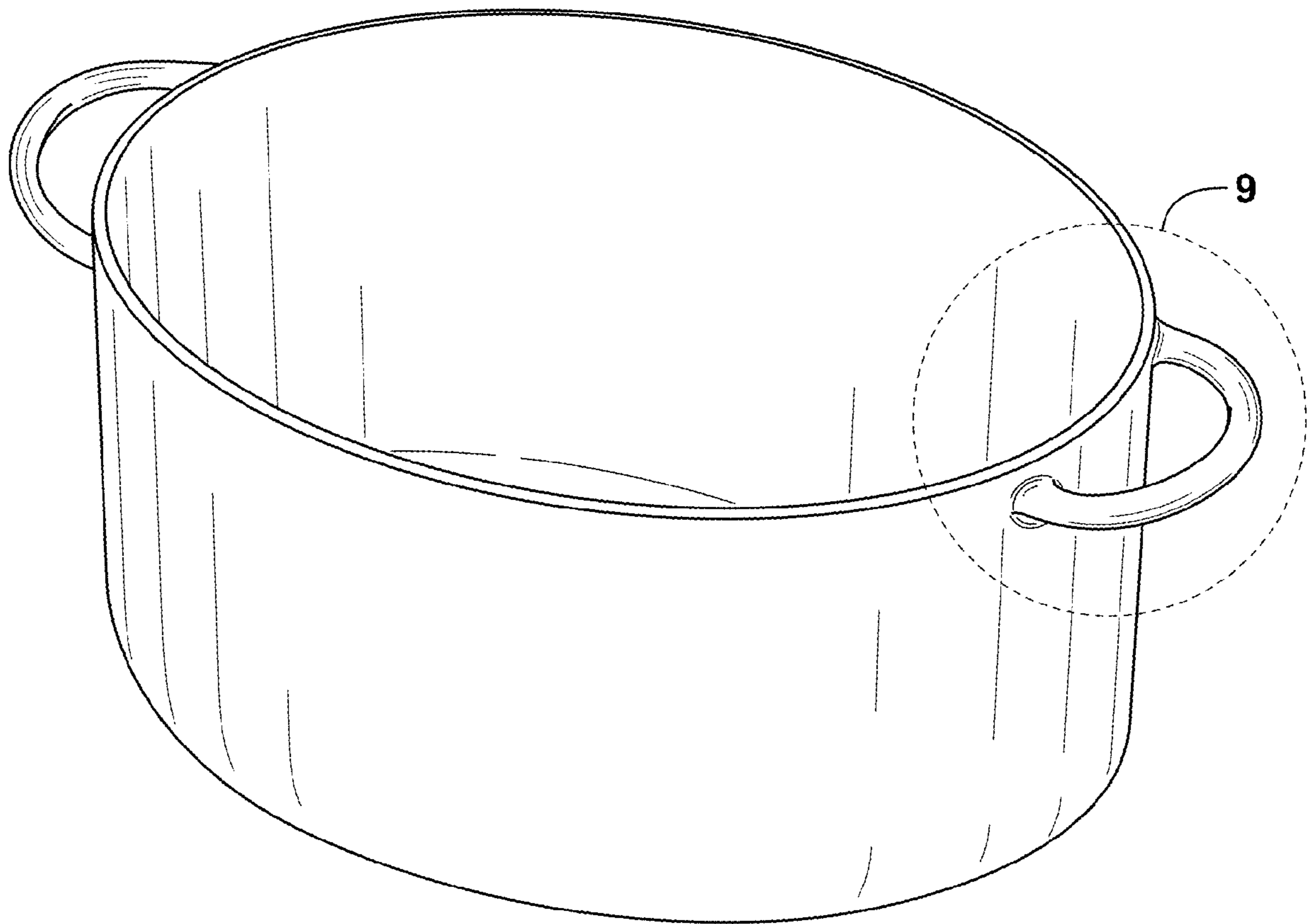


FIG. 1

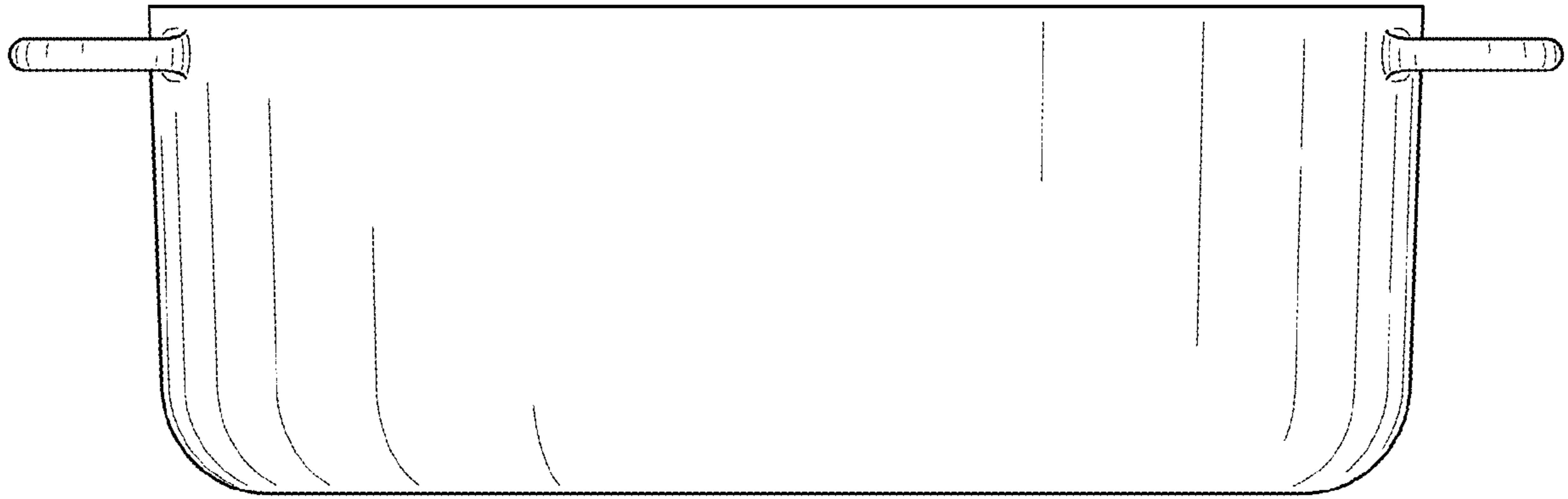


FIG. 2

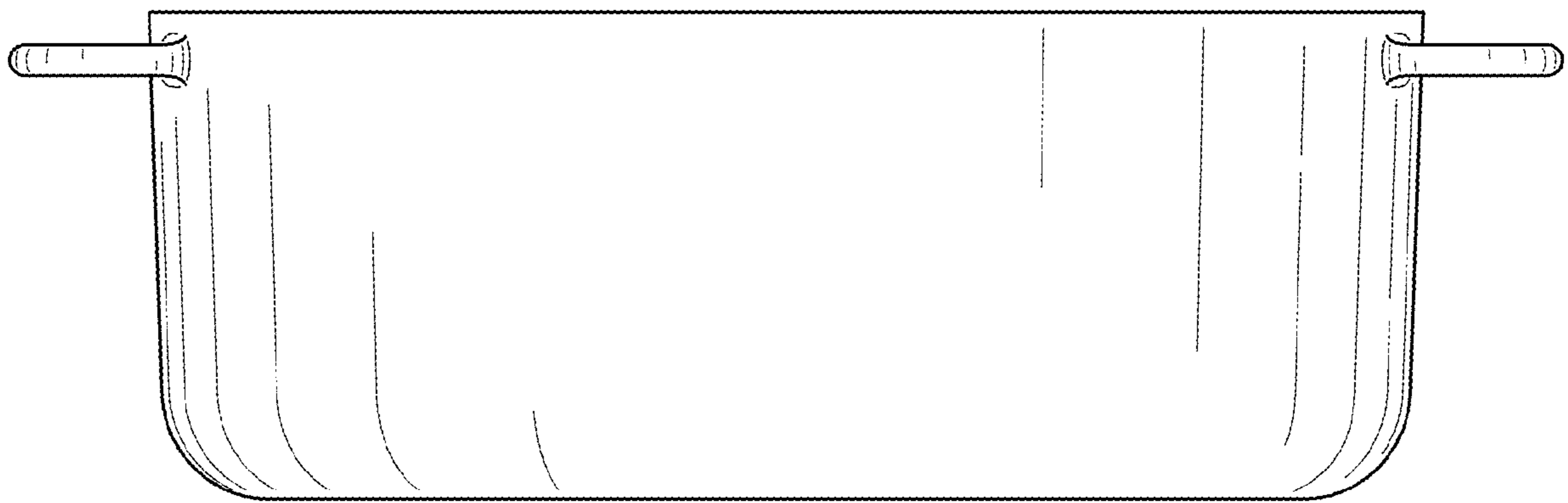


FIG. 3

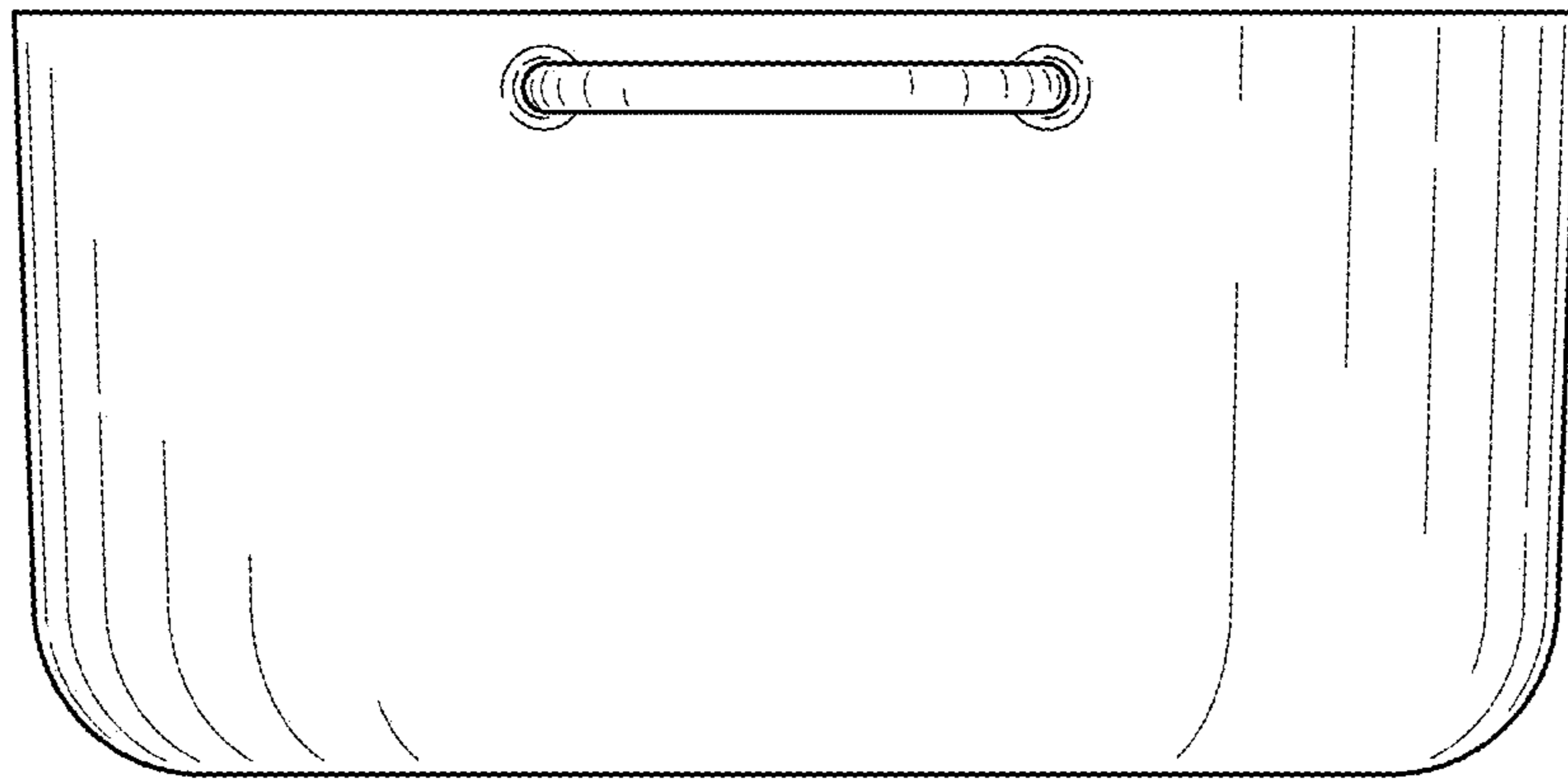


FIG. 4

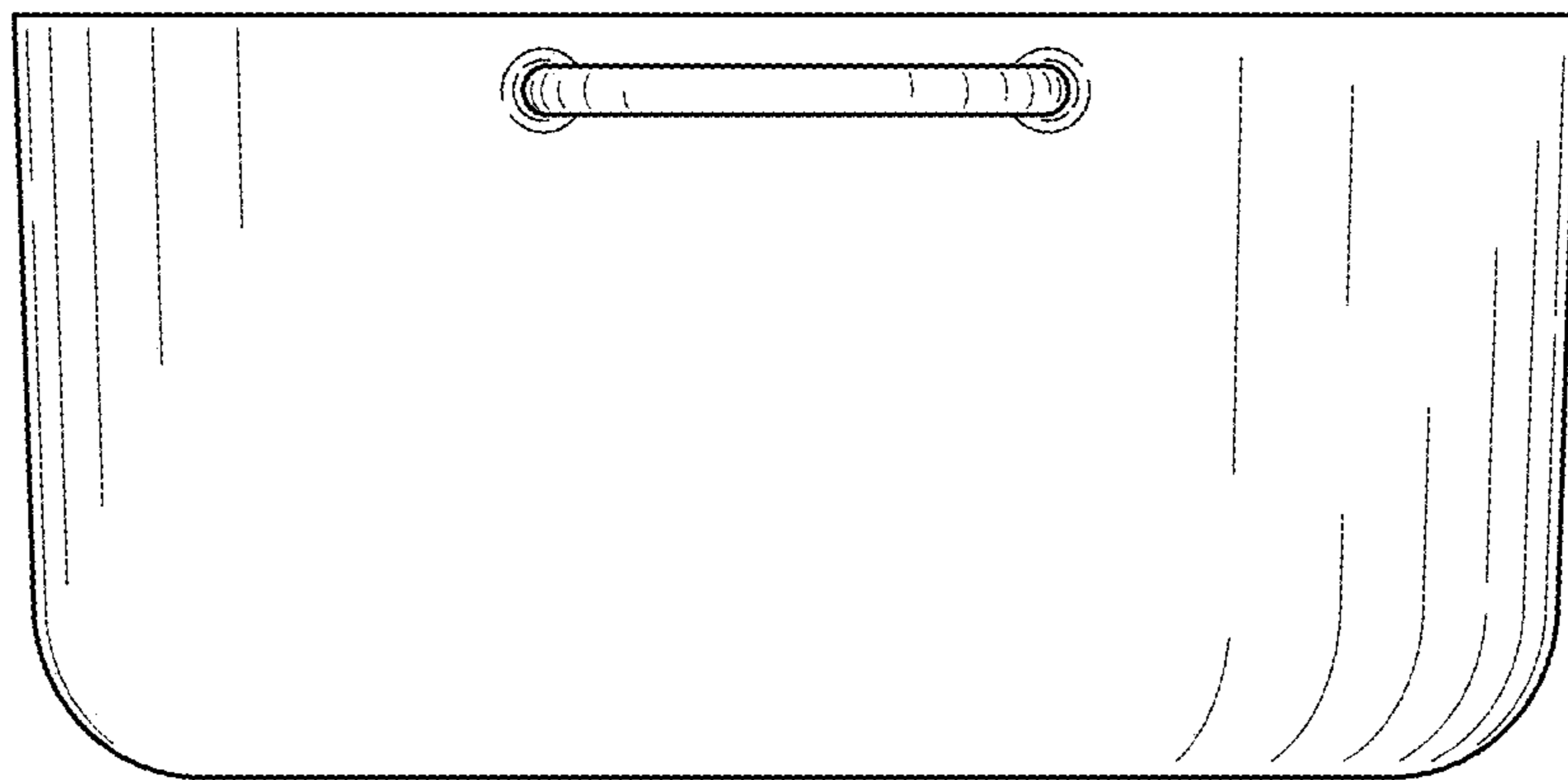


FIG. 5

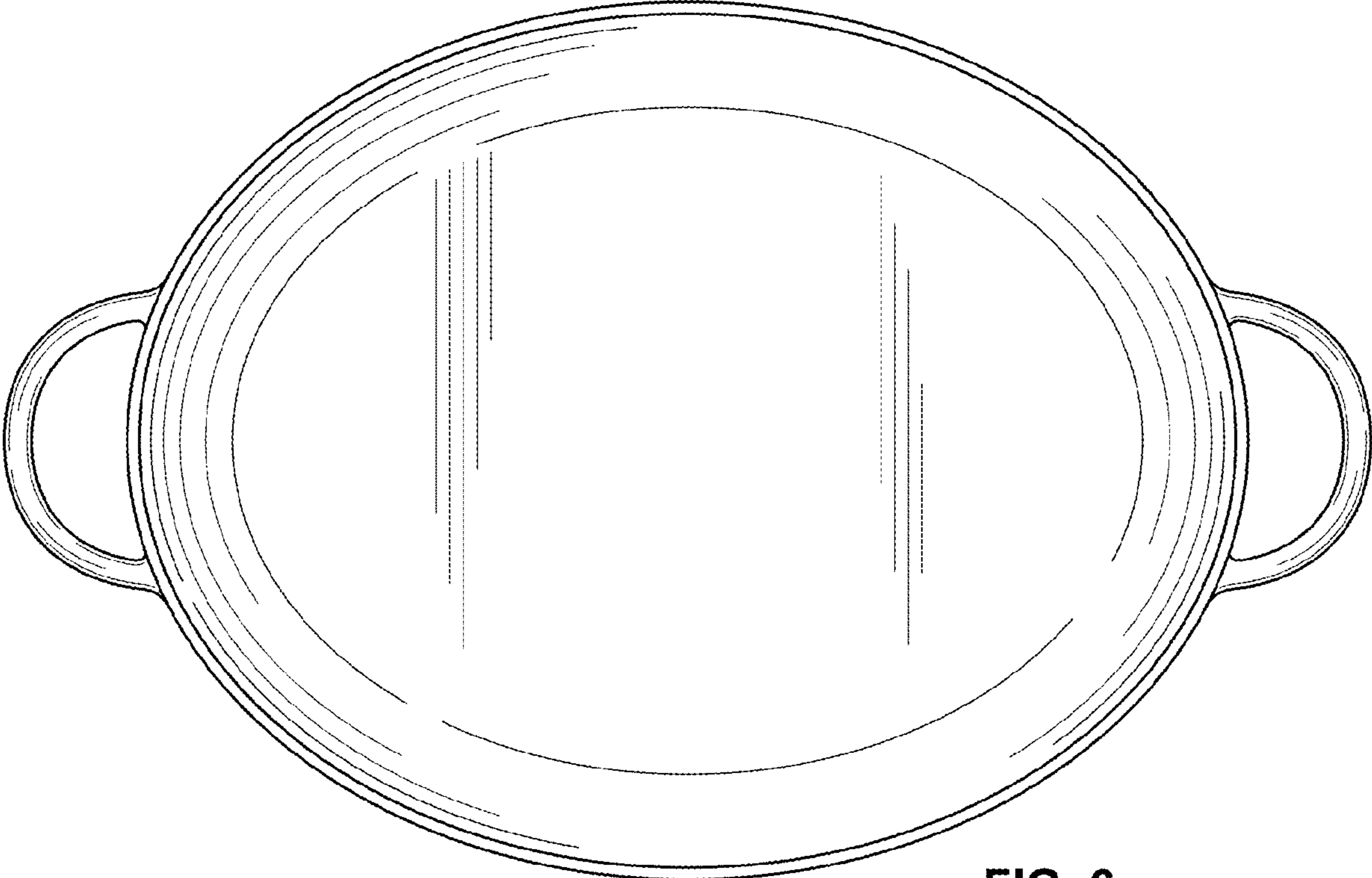


FIG. 6

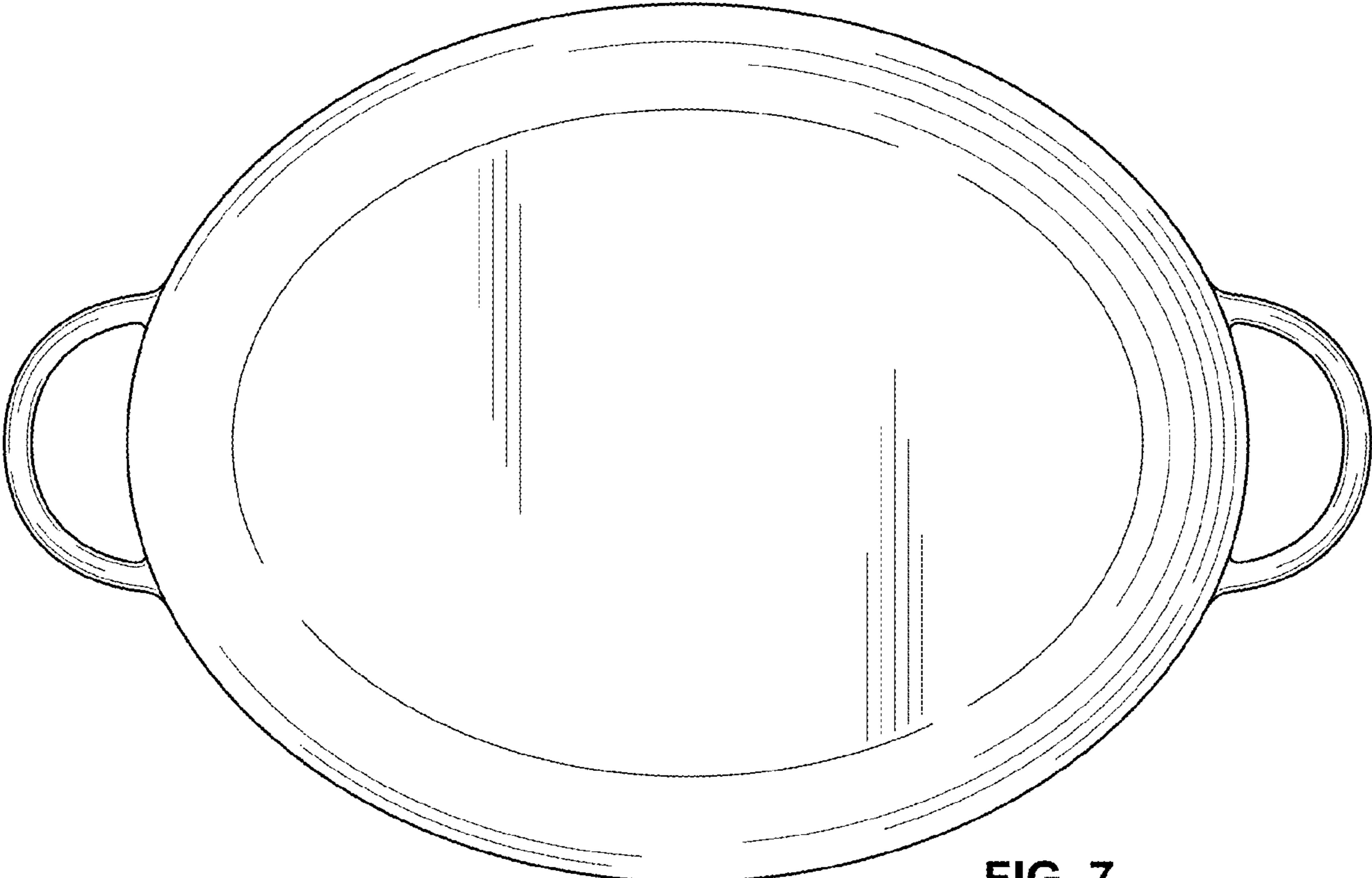


FIG. 7

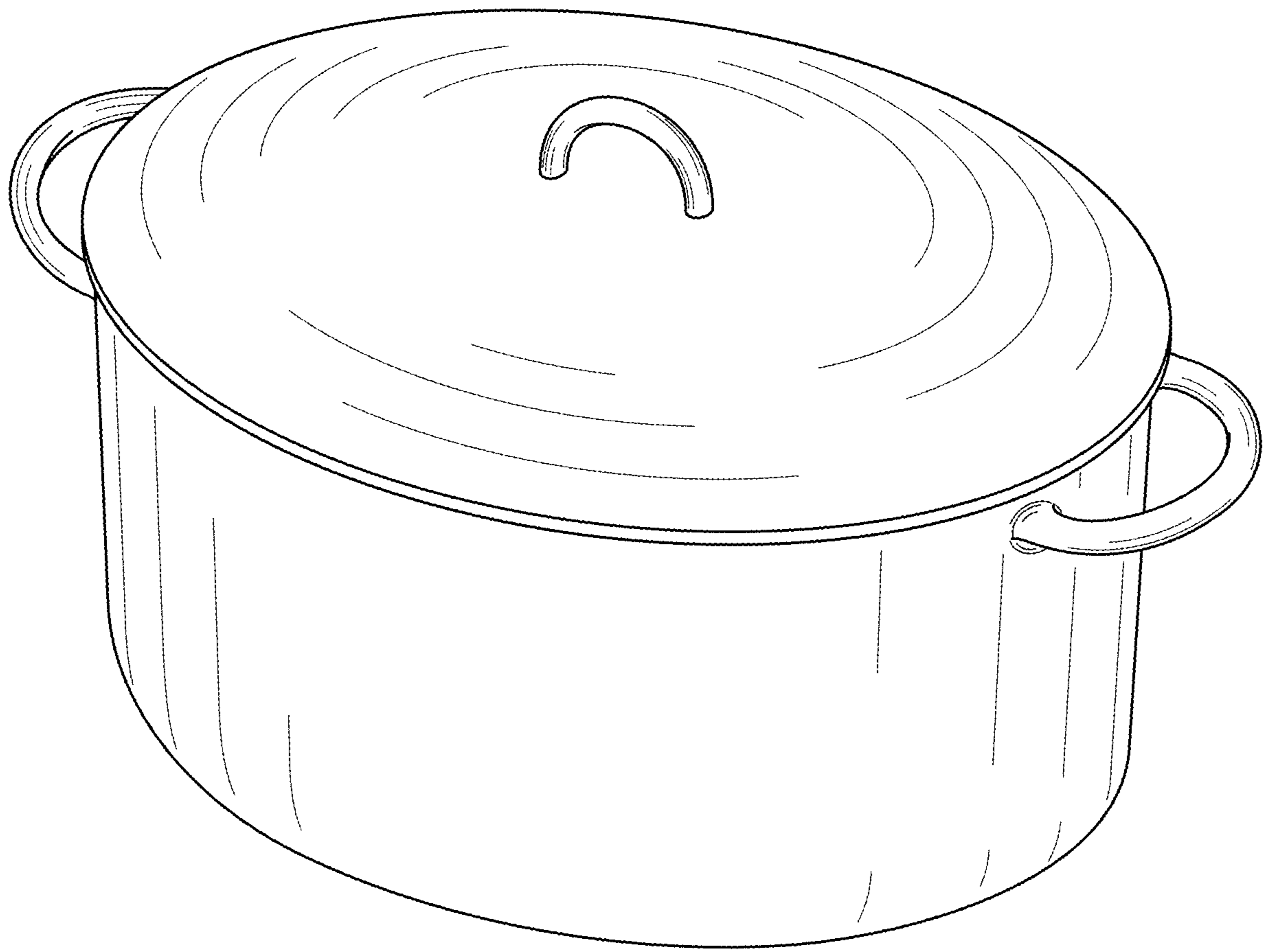


FIG. 8

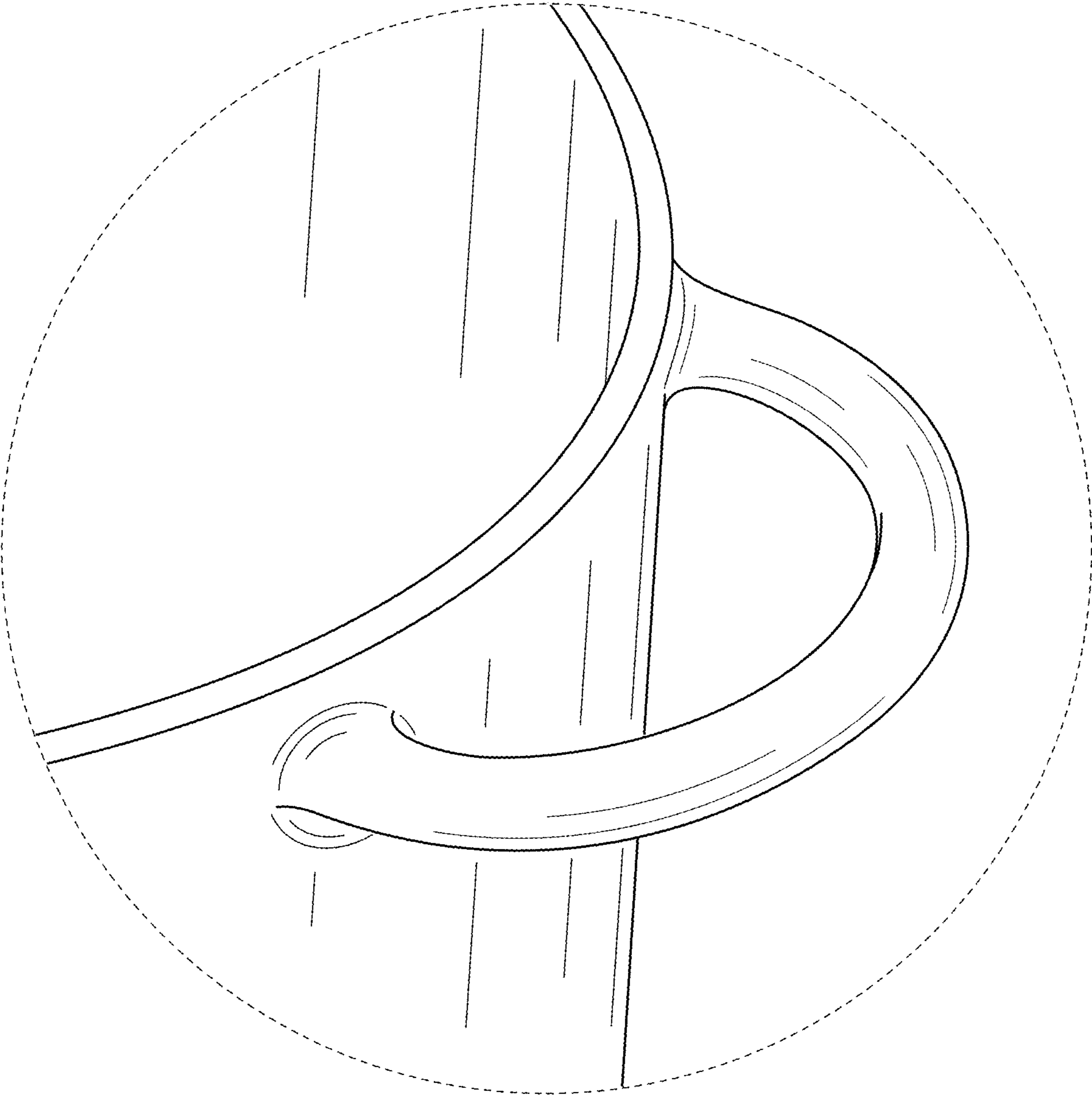


FIG. 9

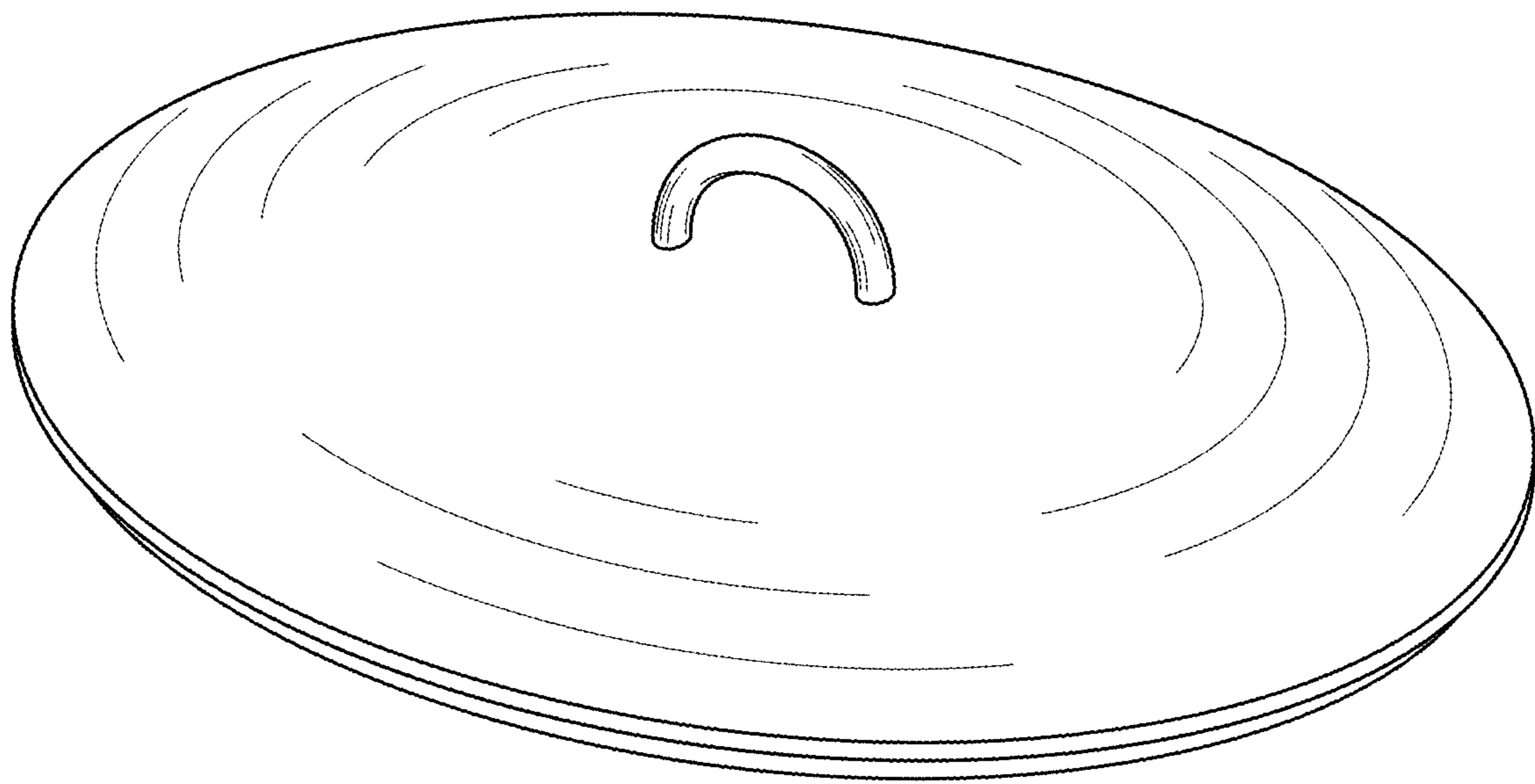


FIG. 10

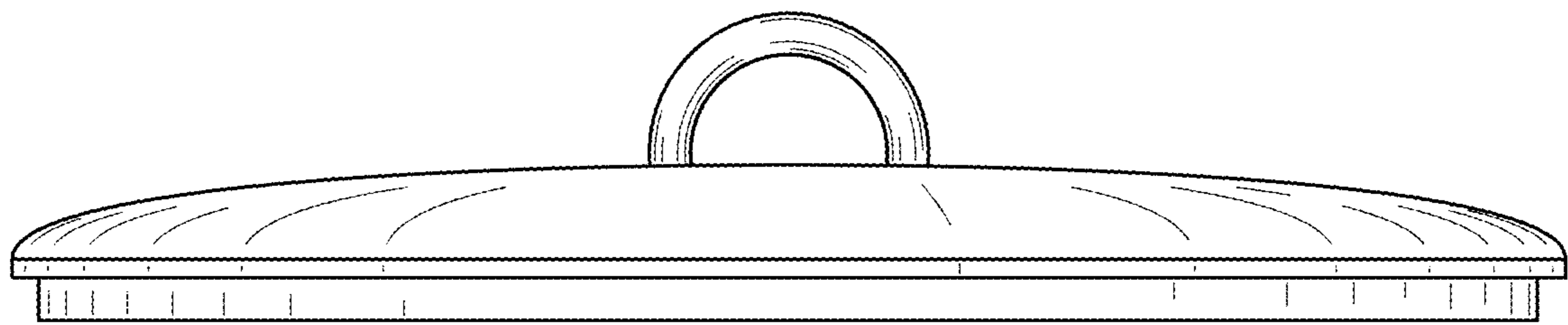


FIG. 11

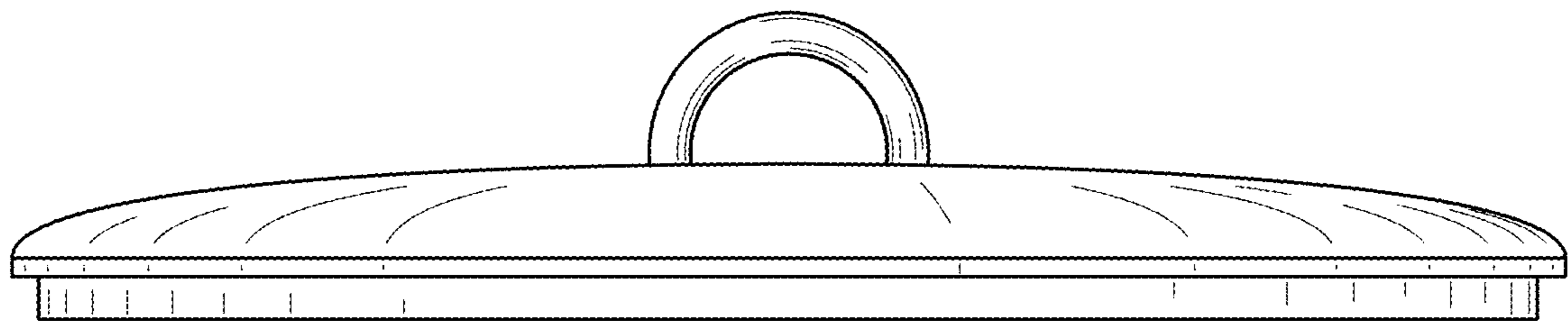


FIG. 12

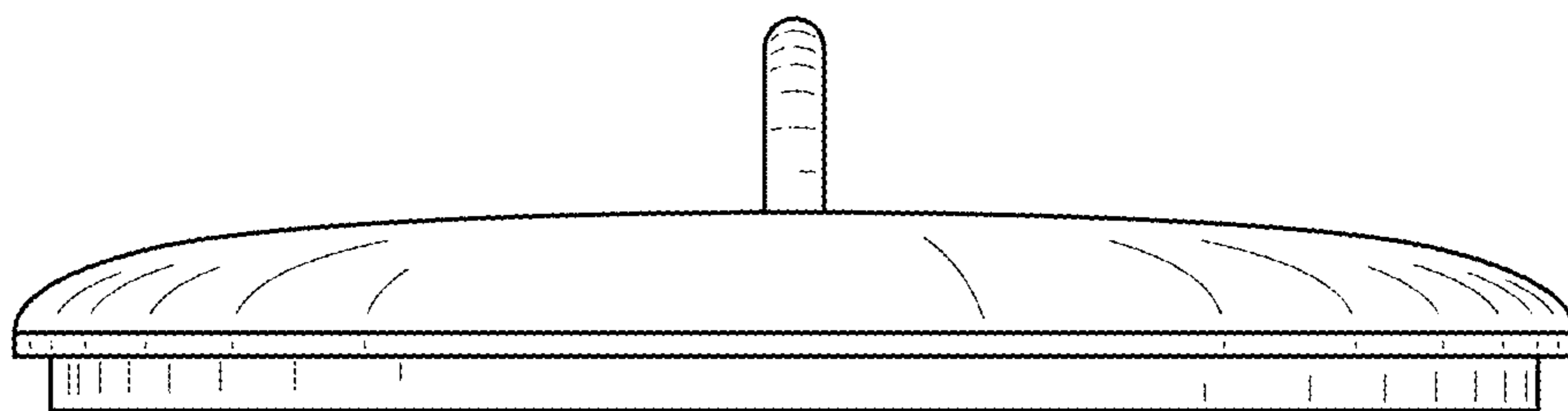


FIG. 13

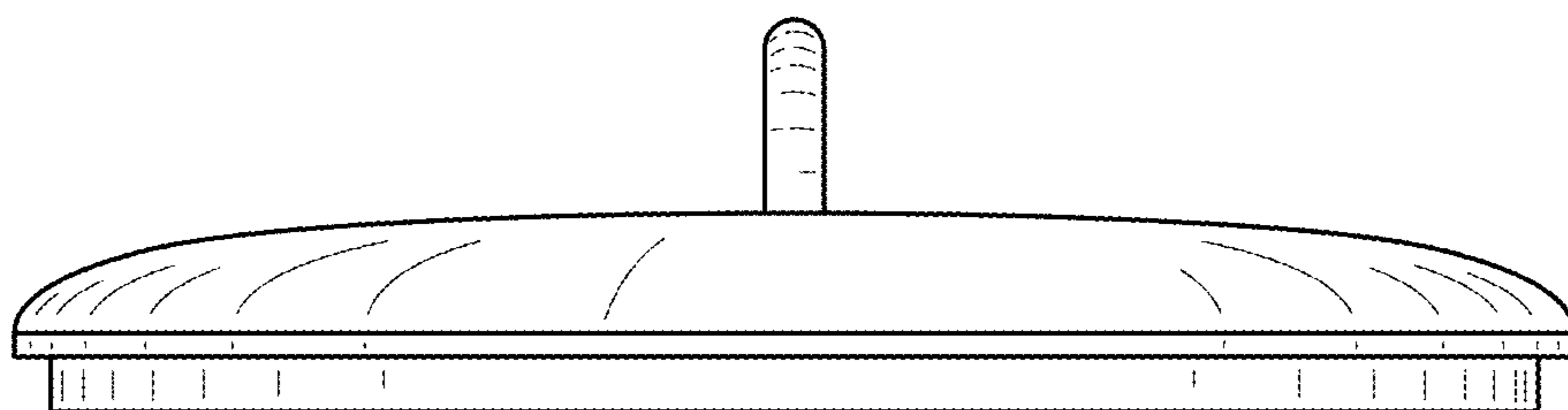


FIG. 14

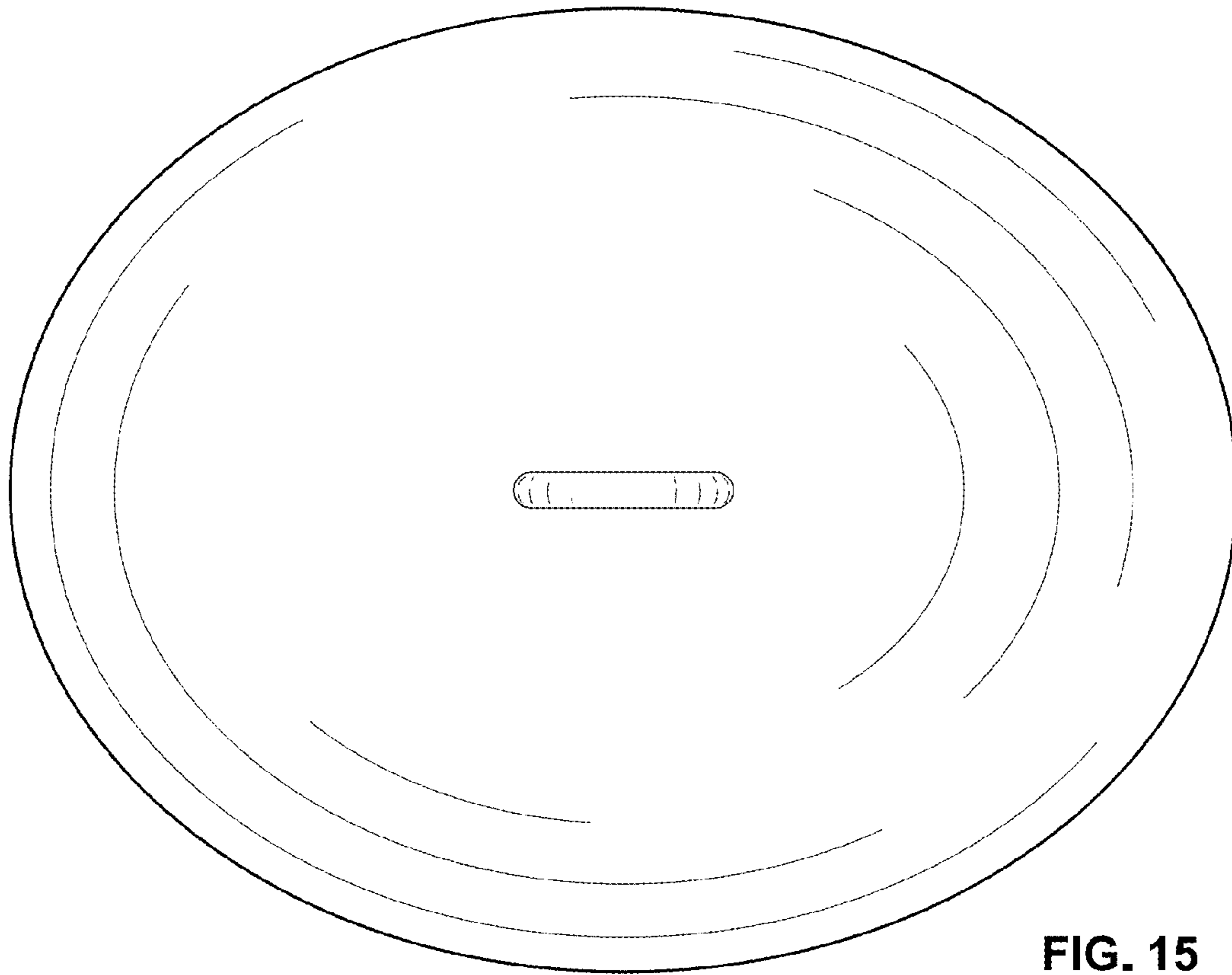


FIG. 15

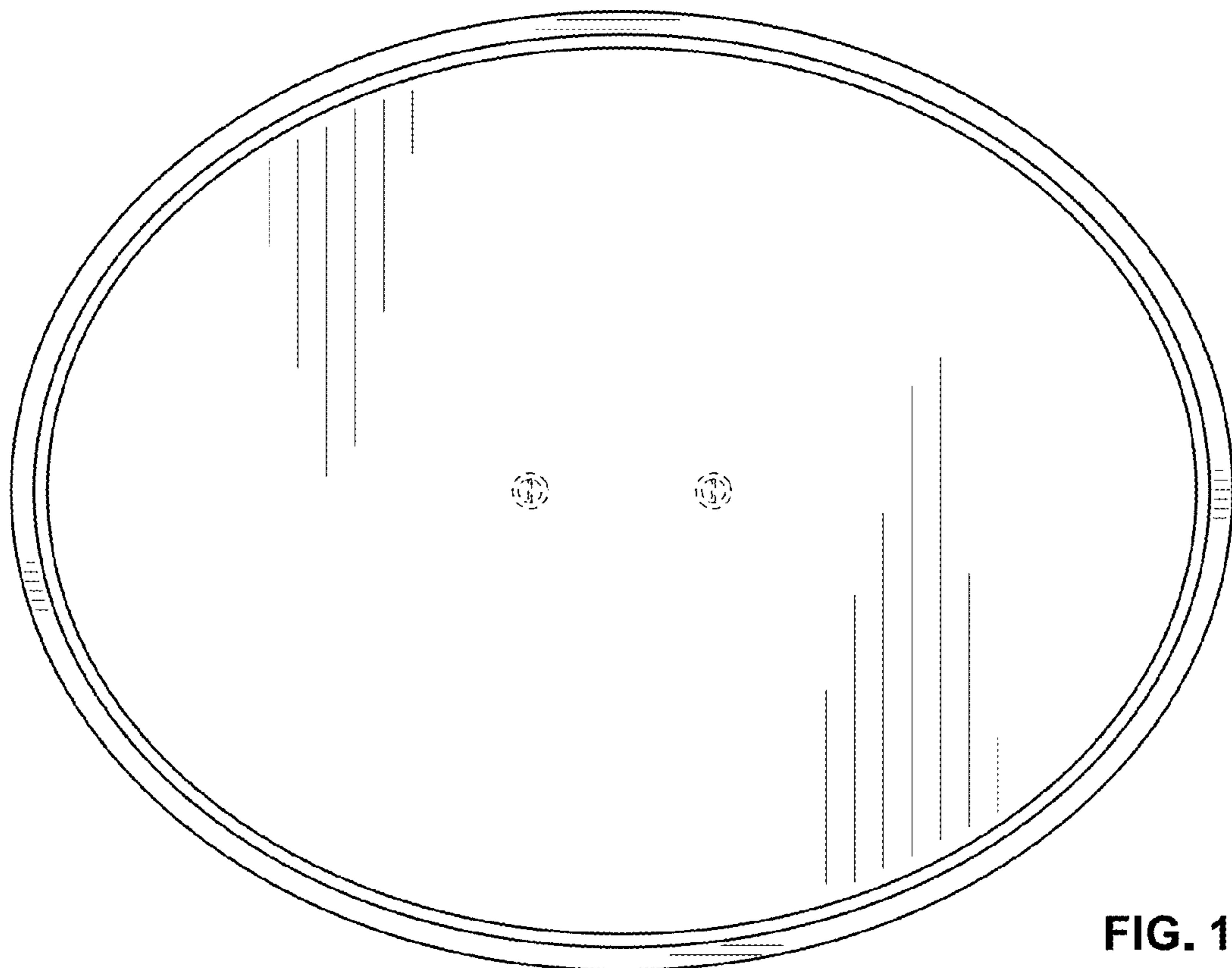


FIG. 16