



US00D915126S

(12) **United States Design Patent**
Moon et al.

(10) **Patent No.:** **US D915,126 S**
(45) **Date of Patent:** **** Apr. 6, 2021**

- (54) **PRESSURE COOKER LID FOR DUAL AIR FRYER/PRESSURE COOKER**
- (71) Applicant: **NuWave, LLC**, Libertyville, IL (US)
- (72) Inventors: **Jay Moon**, Long Grove, IL (US); **Byung Gab Choi**, Lake Villa, IL (US); **Zeng Qing Ping**, Shanwei (CN); **Luo Fei**, Foshan (CN); **DingYu Hu**, Foshan (CN)
- (73) Assignee: **NuWave, LLC**, Vernon Hills, IL (US)

D770,220 S *	11/2016	Chung	D7/354
D770,843 S *	11/2016	Chung	D7/354
D838,546 S *	1/2019	Wang	D7/406
D846,335 S *	4/2019	Yang	D7/358
D861,411 S *	10/2019	Huang	D7/358
D861,412 S *	10/2019	Yang	D7/358
D871,828 S *	1/2020	Tan	D7/358
D874,211 S *	2/2020	Deng	D7/354
2016/0007644 A1 *	1/2016	Hack	A23L 3/003 99/333
2016/0198883 A1 *	7/2016	Wang	A47J 27/004 426/231
2018/0279832 A1 *	10/2018	Ohta	A47J 43/0465

(**) Term: **15 Years**

(21) Appl. No.: **29/690,690**

(22) Filed: **May 9, 2019**

(51) **LOC (13) Cl.** **07-02**

(52) **U.S. Cl.**
USPC **D7/358**; D7/354; D7/391

(58) **Field of Classification Search**
 USPC D7/323, 354-361, 368, 391, 393, 406
 CPC A23L 3/003; A47J 27/00; A47J 27/004;
 A47J 27/08; A47J 27/0802; A47J
 27/0804; A47J 27/0811; A47J 27/0813;
 A47J 27/0815; A47J 27/0817; A47J
 27/084; A47J 27/09; A47J 27/092; A47J
 36/025; A47J 36/06; A47J 37/12; A47J
 37/1204; A47J 37/1209; A47J 43/0465;
 A47J 45/07; A47J 45/071; A47J 45/074;
 A47J 45/08; B01D 2201/345; B01J 3/03;
 B01J 3/04; F01P 2011/0247; F01P
 2011/0252; H05B 6/00; H05B 6/02;
 H05B 6/06

See application file for complete search history.

(56) **References Cited**

U.S. PATENT DOCUMENTS

D549,517 S *	8/2007	Moran	D7/358
D728,301 S *	5/2015	Hack	D7/368

* cited by examiner

Primary Examiner — Ricky Pham

(74) *Attorney, Agent, or Firm* — Bishop, Diehl & Lee, Ltd.

(57) **CLAIM**

The ornamental design for a pressure cooker lid for a dual air fryer/pressure cooker, as shown and described.

DESCRIPTION

FIG. 1 is an elevated isometric view of a pressure cooker lid for dual air fryer/pressure cooker showing the new design; FIG. 2 is a front view of the pressure cooker lid shown in FIG. 1; FIG. 3 is a rear view of the pressure cooker lid shown in FIG. 1; FIG. 4 is a left-side view of the pressure cooker lid shown in FIG. 1; FIG. 5 is a right-side view of the pressure cooker lid shown in FIG. 1; FIG. 6 is a top view of the pressure cooker lid shown in FIG. 1; and, FIG. 7 is a bottom view of the pressure cooker lid shown in FIG. 1.

The broken lines shown in the drawings are for illustrative purposes only and form no part of the claimed design.

1 Claim, 7 Drawing Sheets



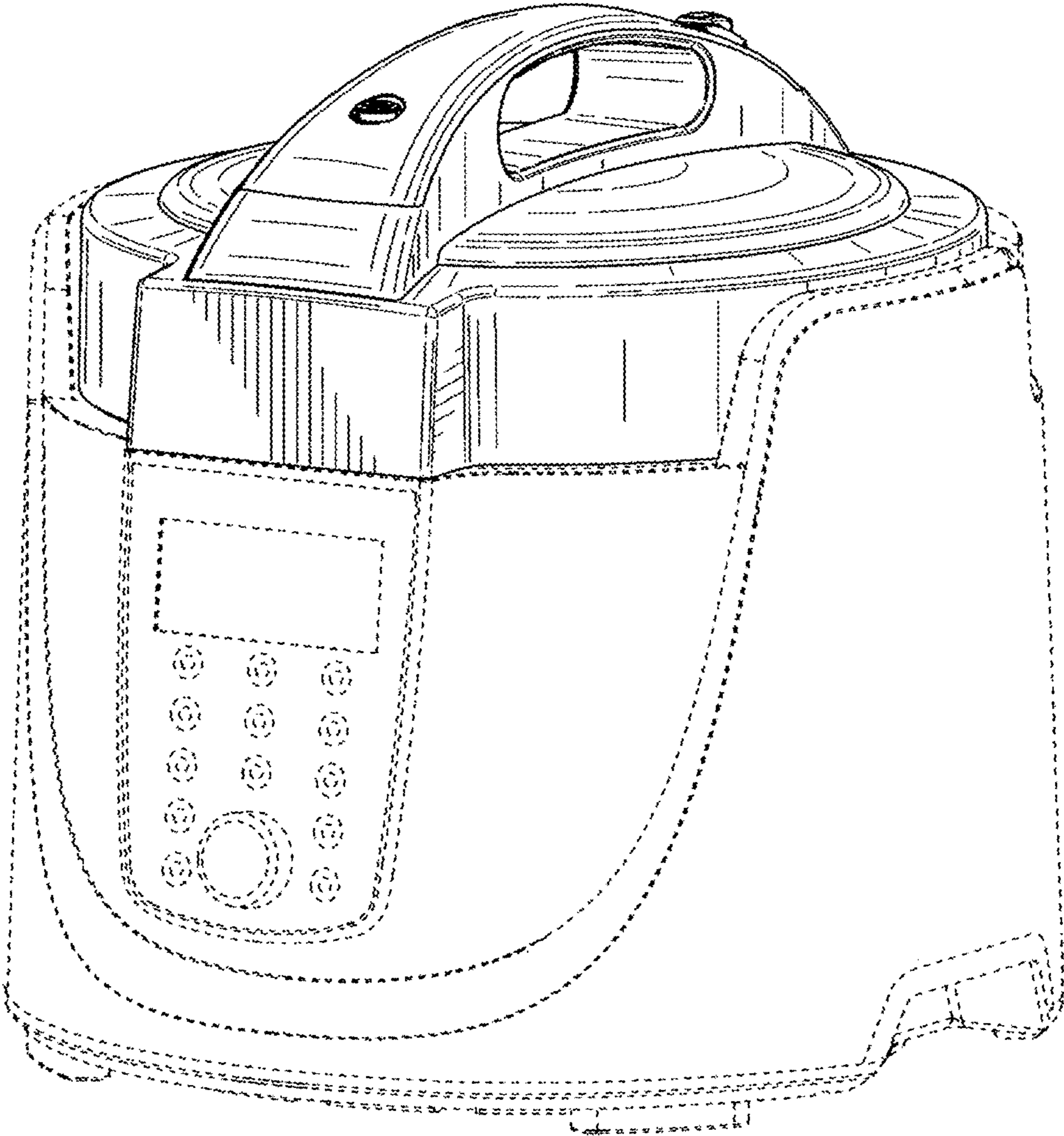


FIG. 1



FIG. 2

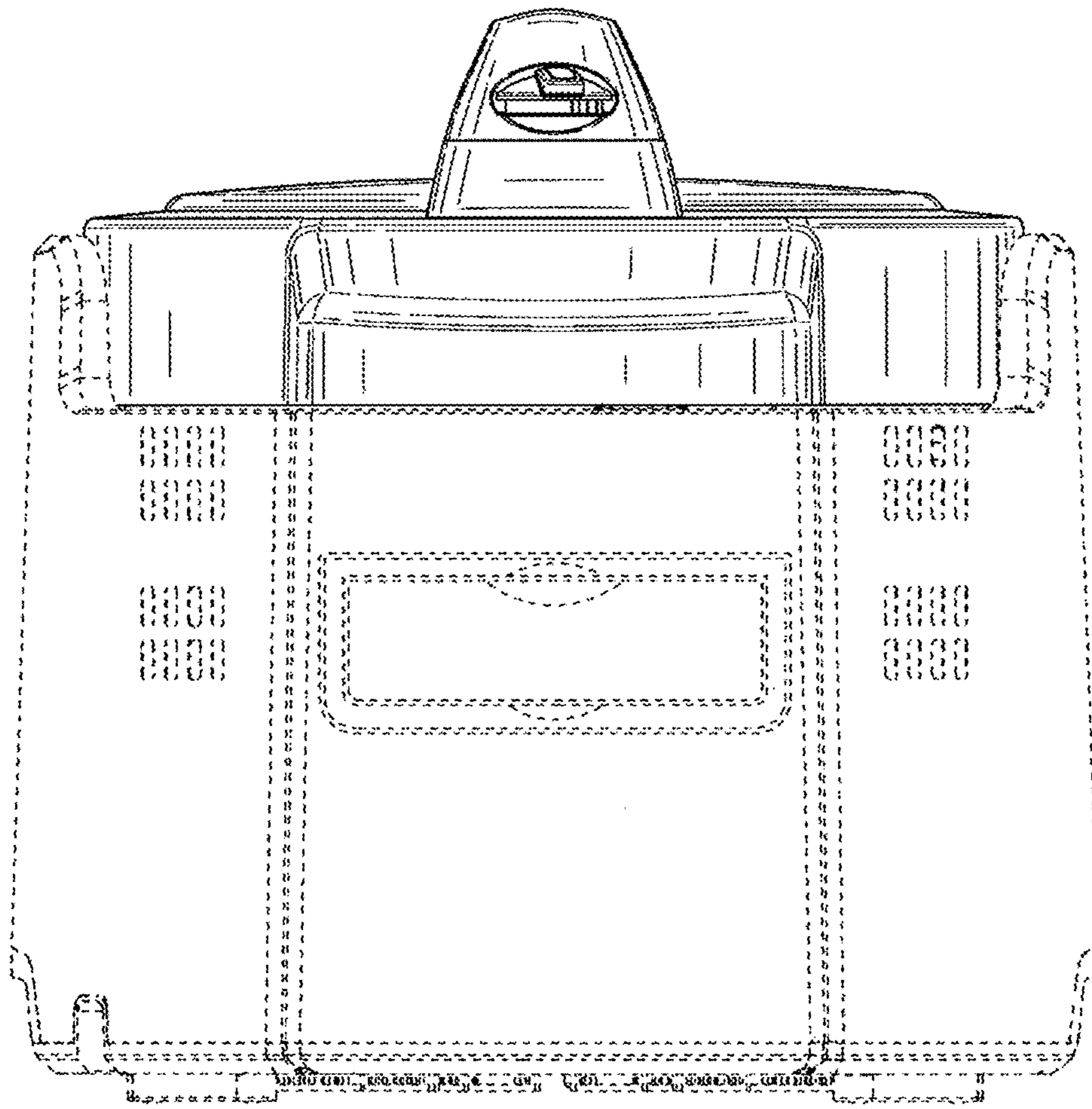


FIG. 3

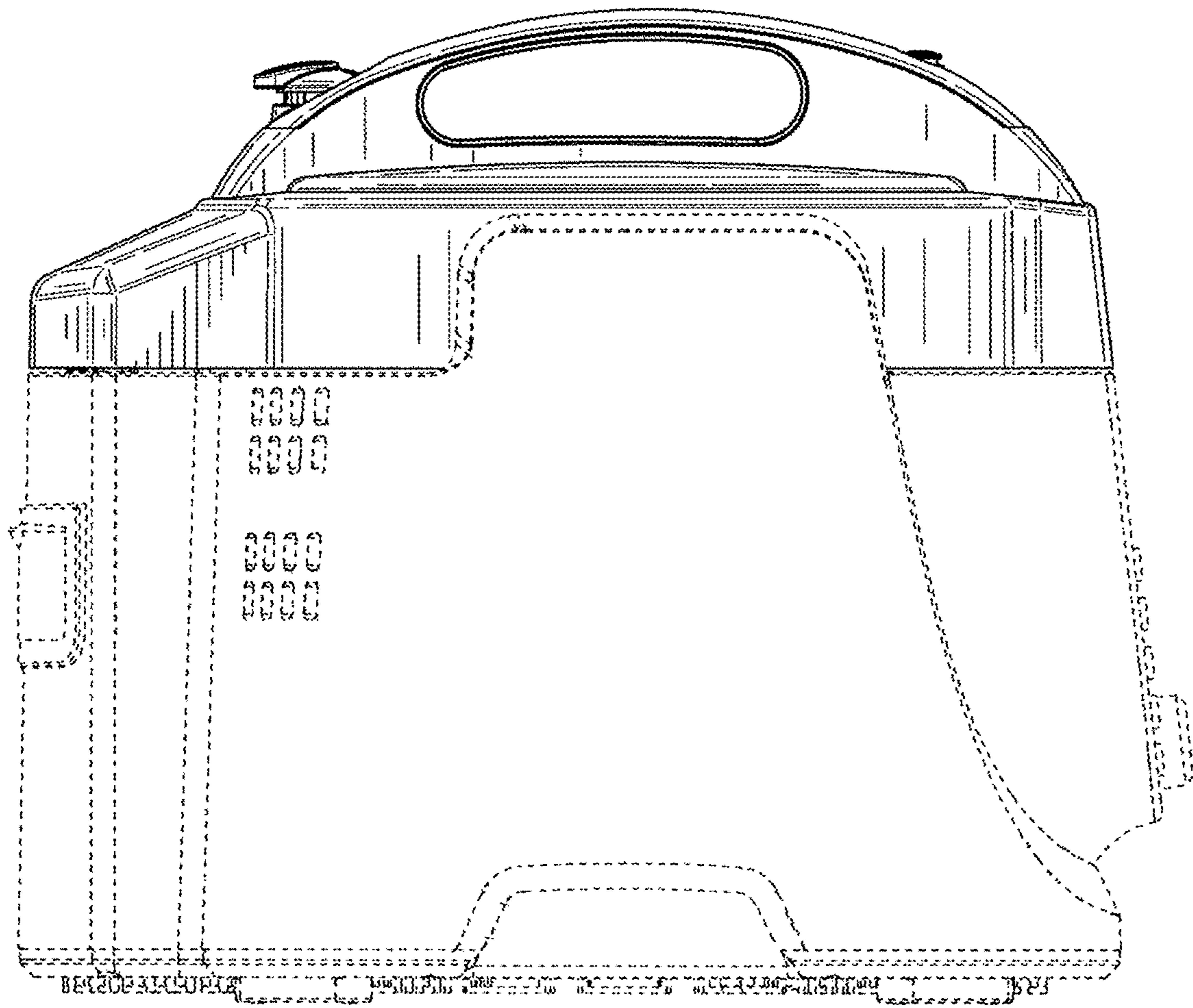


FIG. 4

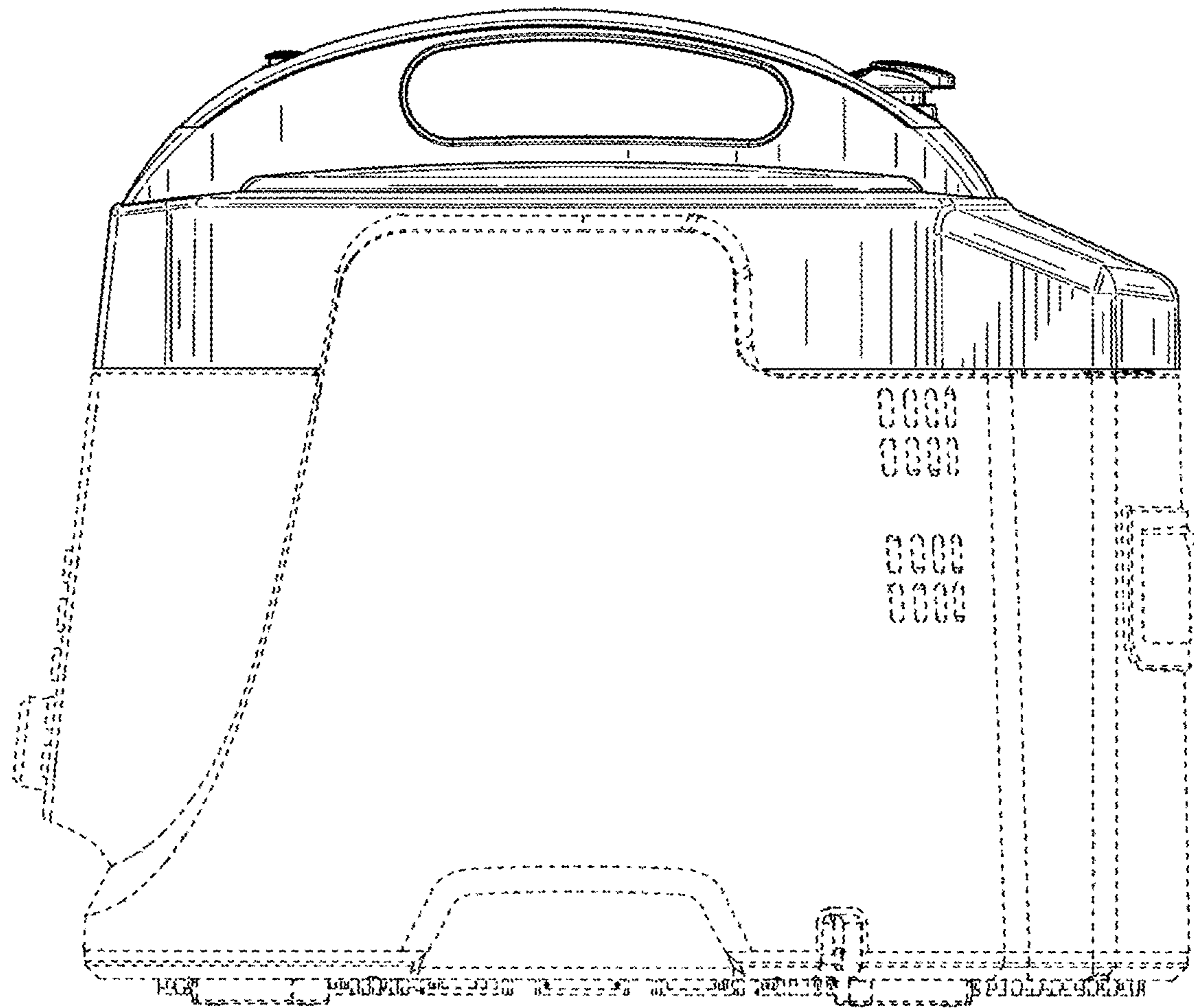


FIG. 5

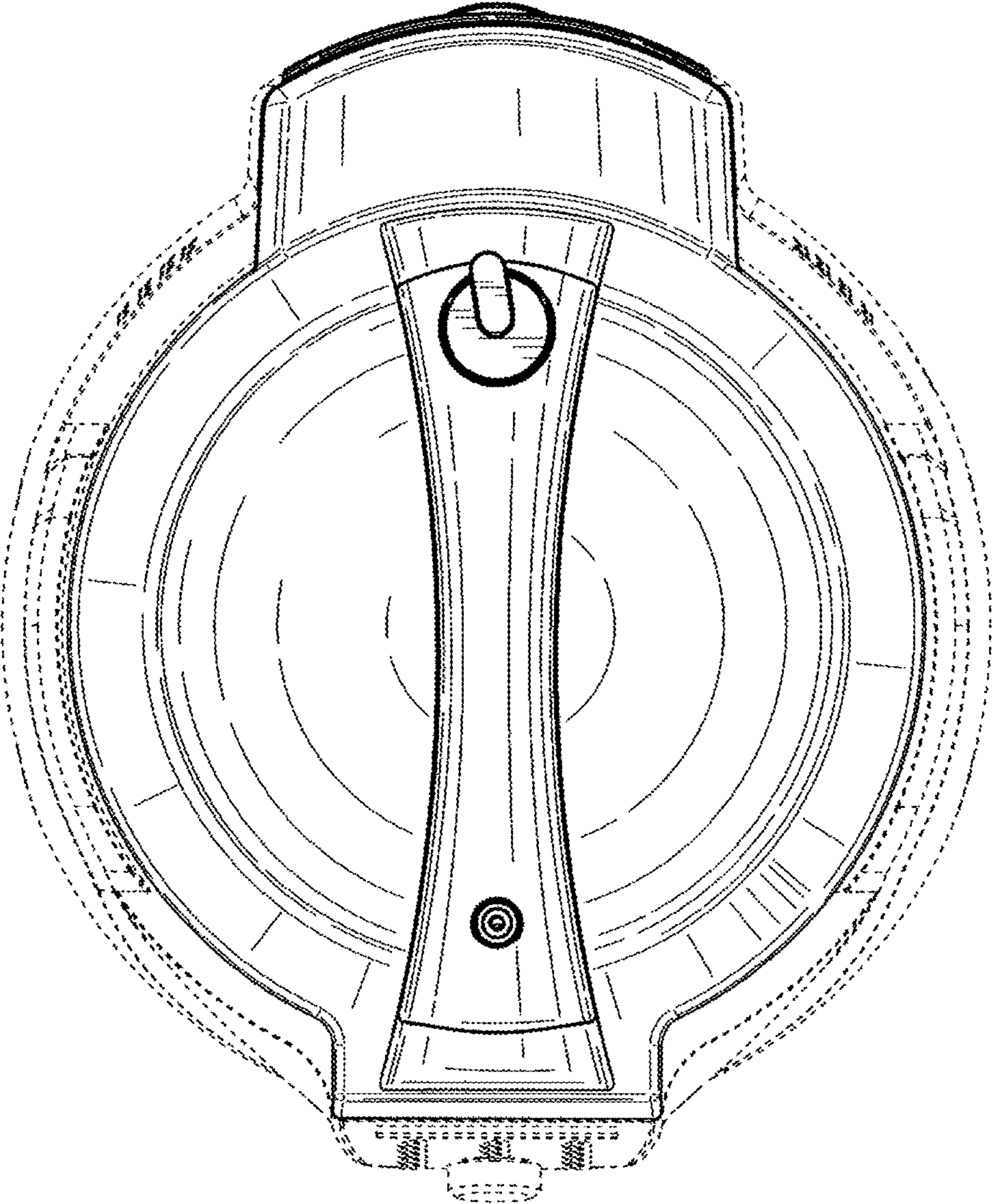


FIG. 6

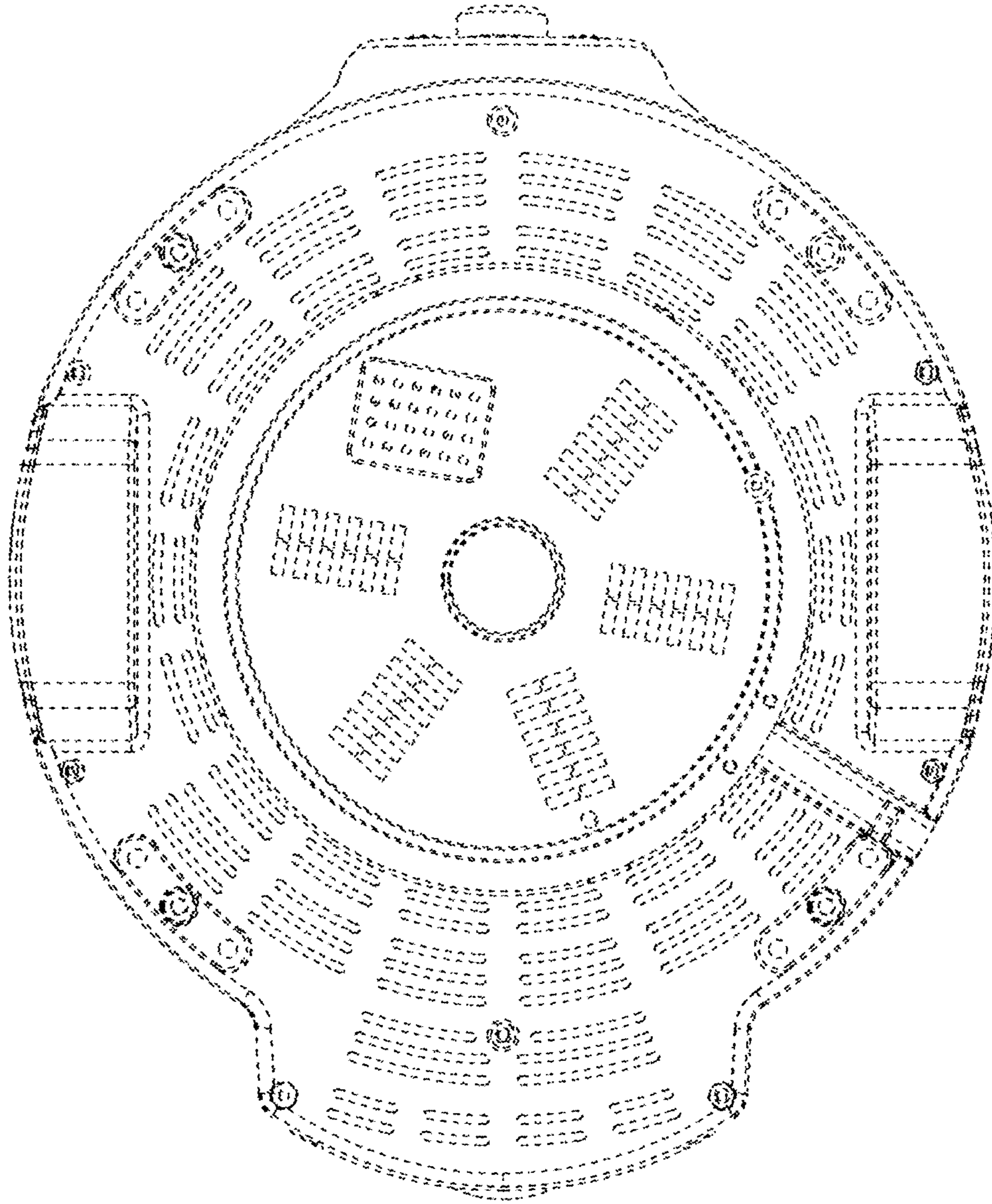


FIG. 7