



US00D915124S

(12) **United States Design Patent** (10) **Patent No.:** **US D915,124 S**  
**Vallee** (45) **Date of Patent:** **\*\* Apr. 6, 2021**

(54) **COOKWARE**

(71) Applicant: **BRETAGNE CERAMIQUE**  
**INDUSTRIE-BCI SOCIÉTÉ PAR**  
**ACTIONS SIMPLIFIÉE**, Languidic  
(FR)

(72) Inventor: **Vincent Vallee**, Languidic (FR)

(\*\*) Term: **15 Years**

(21) Appl. No.: **29/688,147**

(22) Filed: **Apr. 18, 2019**

(30) **Foreign Application Priority Data**

Oct. 18, 2018 (EM) ..... 005802154-0002

(51) **LOC (13) Cl.** ..... **07-02**

(52) **U.S. Cl.**  
USPC ..... **D7/354**

(58) **Field of Classification Search**

USPC ..... D7/323, 328, 329, 330, 339, 340, 341,  
D7/342, 343, 344, 345, 346, 347, 348,  
D7/349, 351, 352-365, 367, 390, 402,  
D7/403, 404, 405, 406, 407, 408, 409,  
D7/410, 411, 538, 543, 554.1, 554.2, 585  
CPC .... A21B 1/00; A21B 1/52; A21B 5/00; A21B  
3/13; A21B 3/131; A21B 3/132; A21B  
3/133; A21B 3/138; A21B 3/15; A21B  
5/023; A47J 37/00; A47J 37/04; A47J  
37/06; A47J 37/0623; A47J 37/0611;  
A47J 37/067; A47J 37/0605; A47J  
37/0629; A47J 37/0676; A47J 27/60;  
A47J 27/62; A47J 36/022; A47J 36/025;  
A47J 36/027; A47G 19/02; A47G 19/027;  
A47G 19/22; F24C 1/00; F24C 3/00;  
F24C 3/002; F24C 3/008; F24C 5/00;  
F24C 7/00; F24C 7/002; F24C 7/043;  
F24C 7/062; F24C 11/00; F24C 15/02;  
F24C 15/04; F24C 15/10

See application file for complete search history.

(56) **References Cited**

U.S. PATENT DOCUMENTS

D197,476 S \* 2/1964 De Puy et al. .... D7/542  
D202,062 S \* 8/1965 Yamazaki ..... D7/360  
D202,912 S \* 11/1965 Corning et al. .... D7/360  
D264,341 S \* 5/1982 Williams ..... D7/403

(Continued)

FOREIGN PATENT DOCUMENTS

JP 2010183998 A \* 8/2010  
JP 2011024810 A \* 2/2011

(Continued)

OTHER PUBLICATIONS

Pyrex Classic Round Casserole Dish, no announcement date [online],  
retrieved Jul. 16, 2020, retrieved from internet, <https://www.therange.co.uk/cooking-and-dining/tableware-and-dinnerware/serveware/serving-dishes/pyrex-classic-round-casserole-dish/>.\*

(Continued)

*Primary Examiner* — Dana K Weiland  
*Assistant Examiner* — Messina L Smith  
(74) *Attorney, Agent, or Firm* — Egbert Law Offices,  
PLLC

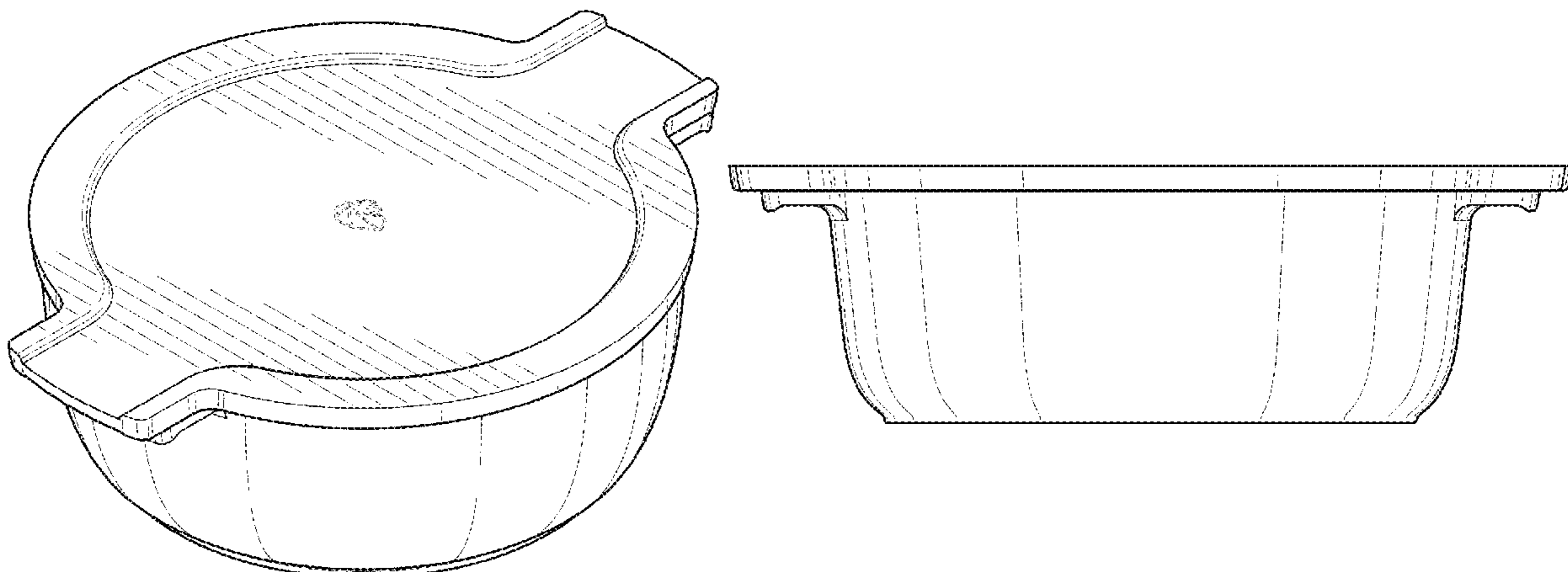
(57) **CLAIM**

The ornamental design for cookware, as shown and described.

**DESCRIPTION**

FIG. 1 is a perspective view of cookware showing my new design.  
FIG. 2 is a front view thereof, a rear view being identical;  
FIG. 3 is a side view thereof, an opposite side view being identical;  
FIG. 4 is a top view thereof; and,  
FIG. 5 is a bottom view thereof.

(Continued)



The broken lines illustrate portions of the cookware that form no part of the claimed design.

**1 Claim, 2 Drawing Sheets**

(56)

**References Cited**

U.S. PATENT DOCUMENTS

4,351,164 A \* 9/1982 Christiani ..... A47G 19/02  
220/23.83  
4,532,397 A \* 7/1985 McClelland ..... A47G 19/02  
219/733  
4,848,579 A \* 7/1989 Barnes ..... A47G 19/02  
206/508  
4,853,509 A \* 8/1989 Murakami ..... A47J 36/027  
219/731  
5,065,889 A \* 11/1991 Conti ..... A47G 19/027  
220/360  
D325,684 S \* 4/1992 Deare ..... D30/129  
D338,807 S \* 8/1993 Conti ..... D7/354  
D352,423 S \* 11/1994 Laib ..... D7/538  
D370,598 S \* 6/1996 Koch ..... D7/543  
D497,514 S \* 10/2004 Goulart ..... D7/394  
D571,155 S \* 6/2008 Plante ..... D7/538  
D582,218 S \* 12/2008 Curtin ..... D7/540  
D587,521 S \* 3/2009 Thurlow ..... D7/391  
D594,704 S \* 6/2009 Loaiza ..... D7/538

D630,897 S \* 1/2011 Jarvis ..... D7/407  
D644,490 S \* 9/2011 Shah ..... D7/542  
D646,931 S \* 10/2011 Chen ..... D7/554.2  
D653,909 S \* 2/2012 Henry ..... D7/543  
D653,910 S \* 2/2012 Stamper ..... D7/543  
D672,200 S \* 12/2012 Lee ..... D7/543  
D680,813 S \* 4/2013 De Leo ..... D7/543  
D683,179 S \* 5/2013 Coursey ..... D7/360  
D687,678 S \* 8/2013 Del Solar ..... D7/538  
D708,021 S \* 7/2014 Heiberg ..... D7/629  
D842,022 S \* 3/2019 Effler ..... D7/360  
D871,129 S \* 12/2019 Peterson ..... D7/360  
2015/0335191 A1 \* 11/2015 Backaert ..... A47J 27/0806  
206/459.1  
2018/0146821 A1 \* 5/2018 Lu ..... A47J 36/38

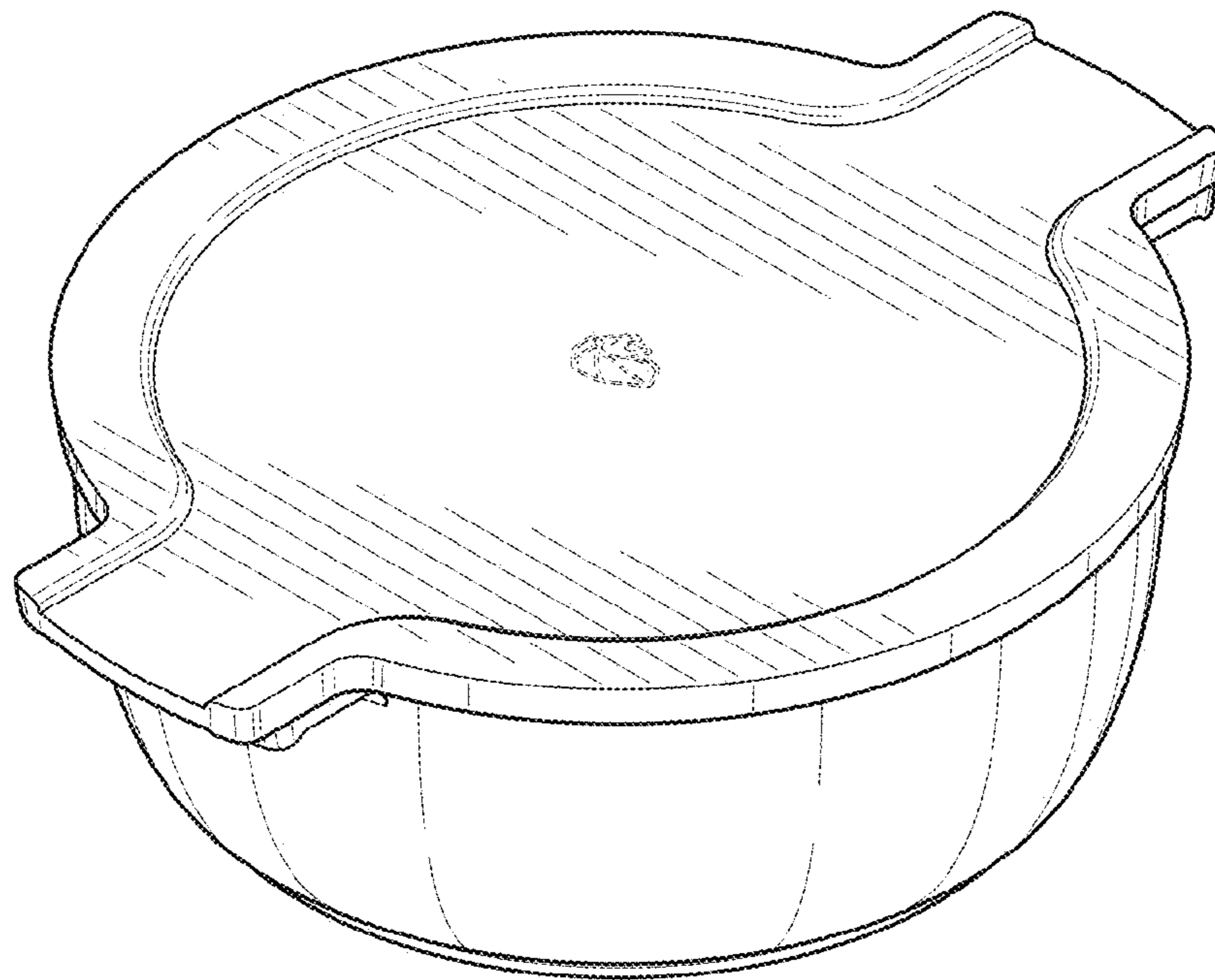
FOREIGN PATENT DOCUMENTS

JP 2011255158 A \* 12/2011  
JP 2012034769 A \* 2/2012  
JP 2019170559 A \* 10/2019

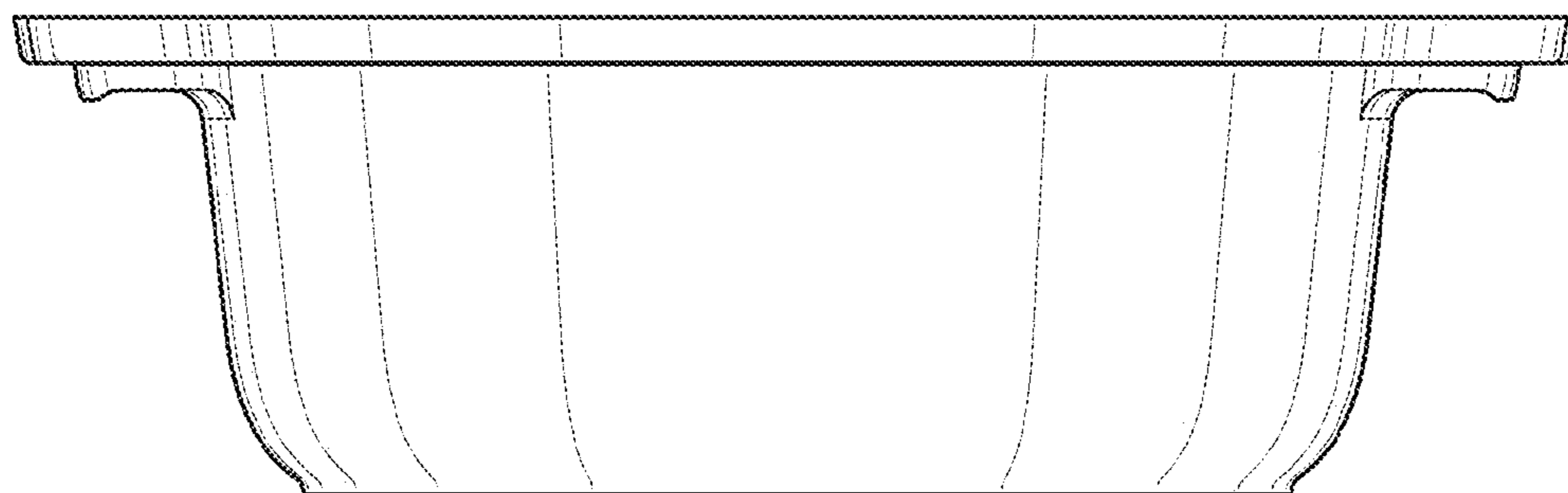
OTHER PUBLICATIONS

Shin Microwavable Bowl, announced © 2020 [online], retrieved Jul. 16, 2020, retrieved from internet, <https://www.worldofshin.com/gift-shop/shin-microwavable-bowl/>.\*

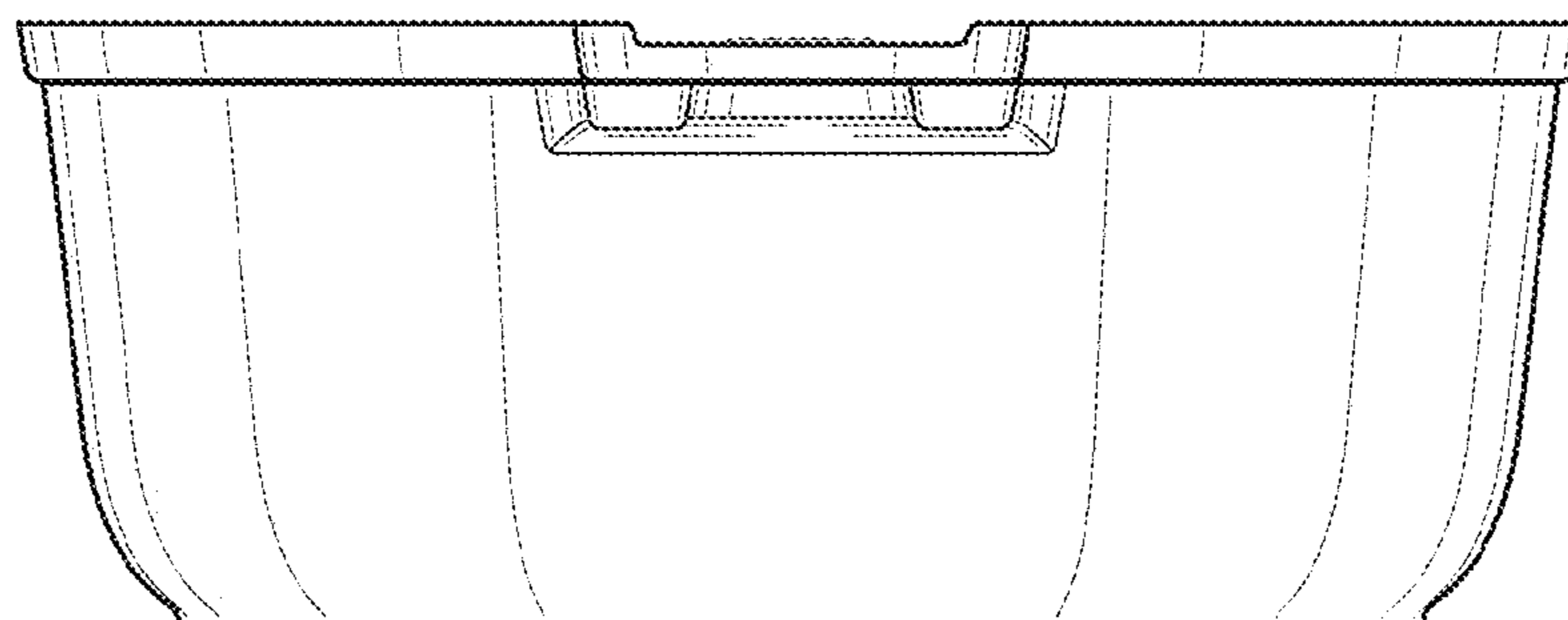
\* cited by examiner



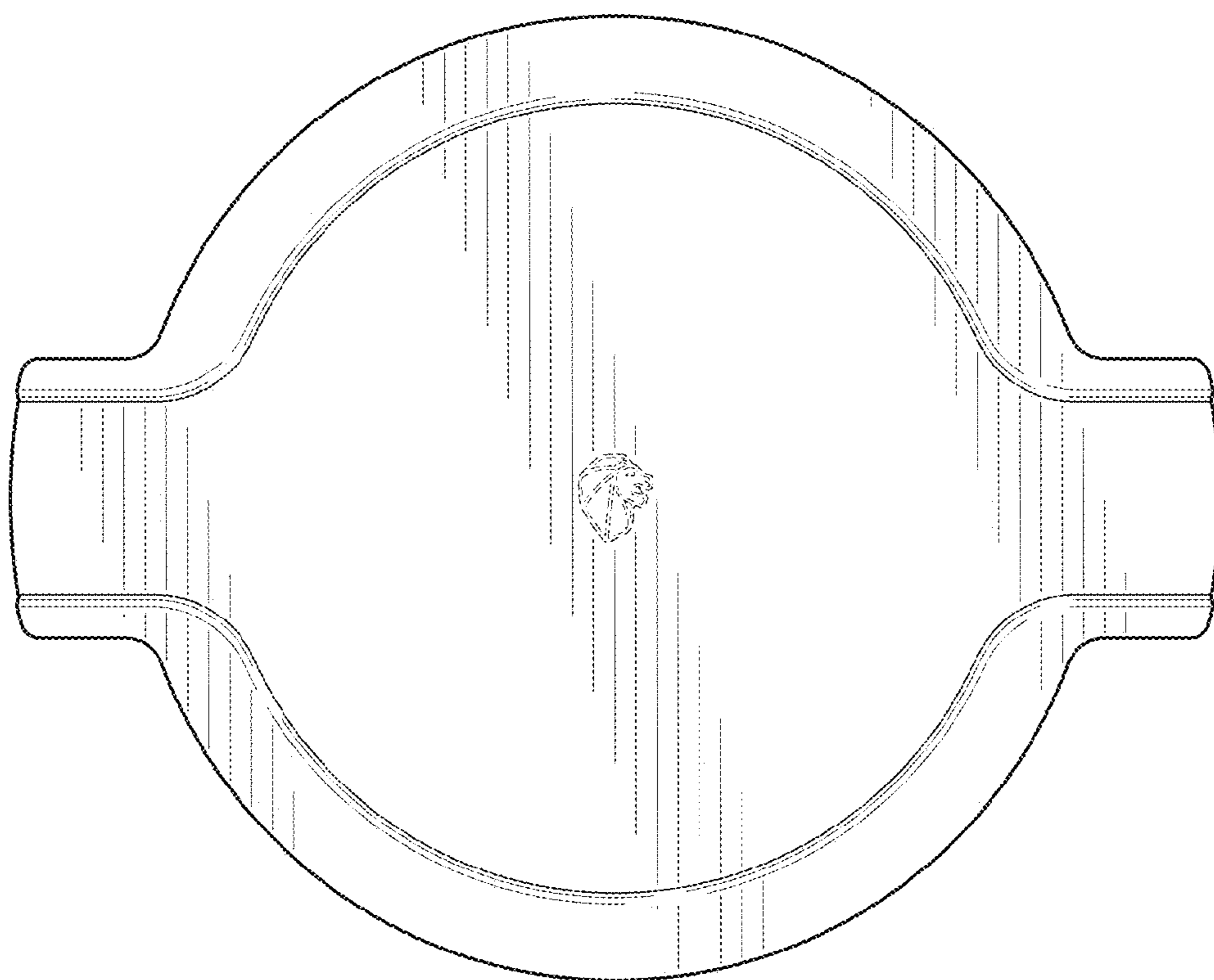
*FIG. 1*



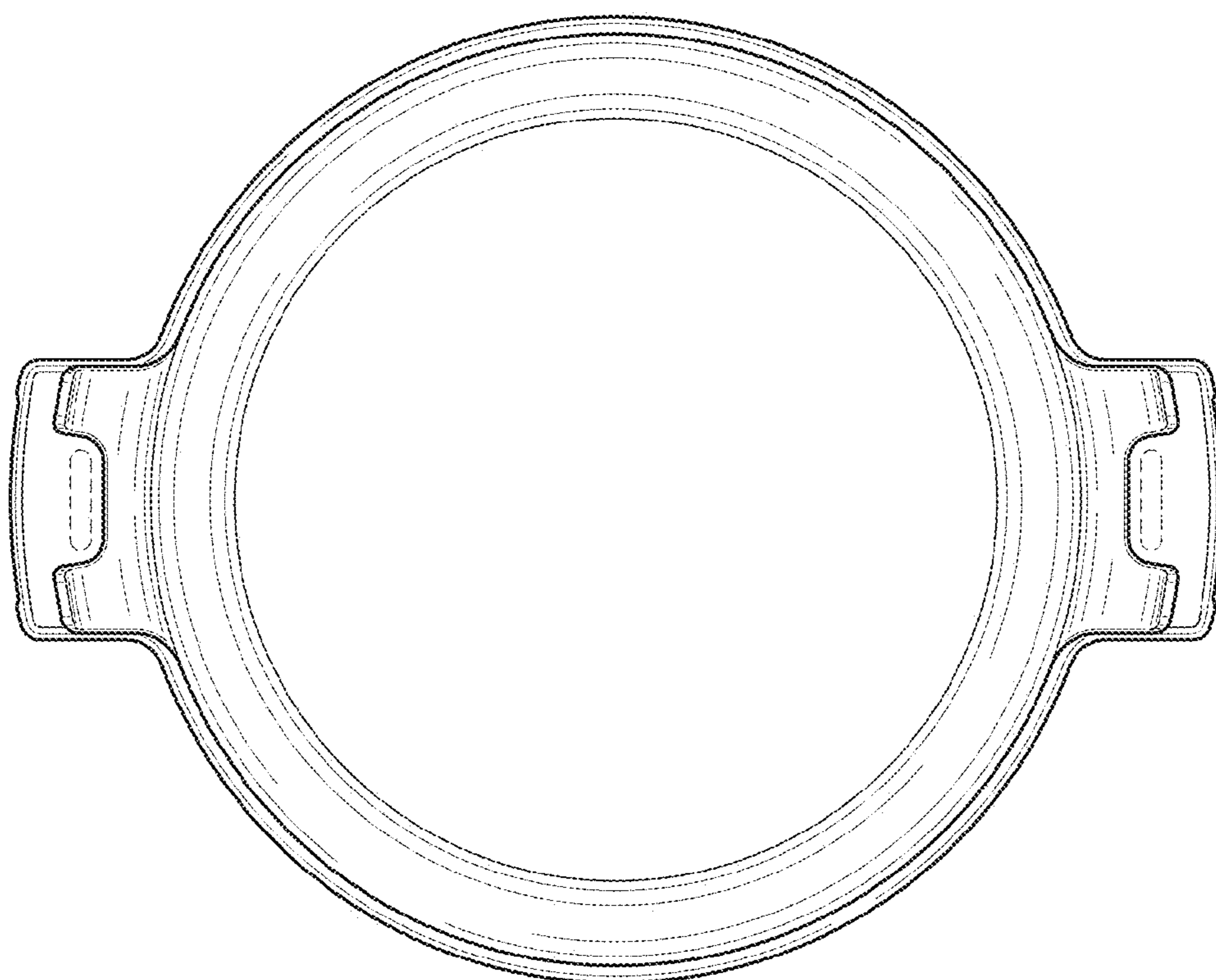
*FIG. 2*



*FIG. 3*



*FIG. 4*



*FIG. 5*